



US00D924396S

(12) **United States Design Patent**  
**O'Brien**

(10) **Patent No.:** **US D924,396 S**

(45) **Date of Patent:** **\*\* Jul. 6, 2021**

(54) **INFLATION VALVE**

(71) Applicant: **Terumo Medical Corporation,**  
Somerset, NJ (US)

(72) Inventor: **Victoria Moore O'Brien,** Sewell, NJ  
(US)

(73) Assignee: **TERUMO KABUSHIKI KAISHA,**  
Tokyo (JP)

(\*\*) Term: **15 Years**

(21) Appl. No.: **29/681,805**

(22) Filed: **Feb. 28, 2019**

(51) **LOC (13) Cl.** ..... **24-02**

(52) **U.S. Cl.**  
USPC ..... **D24/129**

(58) **Field of Classification Search**  
USPC ..... D24/129, 110, 112, 130; 128/202.22,  
128/207.15, 207.16, 911, 912  
CPC ..... A61B 5/150213; A61B 5/150221; A61B  
5/150992; A61B 5/6852  
See application file for complete search history.

(56) **References Cited**

**U.S. PATENT DOCUMENTS**

D337,157 S *	7/1993	Ortiz	.....	D24/110
D339,417 S *	9/1993	Sampson	.....	D24/129
D355,031 S *	1/1995	Yoshikawa	.....	D24/112
D849,938 S *	5/2019	Gloria Bello	.....	D24/129
D859,651 S *	9/2019	Harding	.....	D24/130
D861,161 S *	9/2019	Schuessler	.....	D24/129
D903,101 S *	11/2020	Stats	.....	D24/112

**OTHER PUBLICATIONS**

Terumo—TR Band® Radial Compression Device [online]. [Retrieved on Feb. 26, 2019] Retrieved from the internet: <[http://www.terumo.com/products/closure/tr-band\\_html](http://www.terumo.com/products/closure/tr-band_html)>.

Merit Medical—Safeguard® Radial Compression Device [online]. [Retrieved on Feb. 26, 2019] Retrieved from the internet: <<https://www.merit.com/cardiac-intervention/hemostasis/compression-devices/safeguard-radial-compression-device/>>.

Advanced Vascular Dynamics—Zephyr® Vascular Compression Device [online]. [Retrieved on Feb. 26, 2019] Retrieved from the internet: <<https://compressar.com/zephyr-vascular-compression-device/>>.

Merit Medical—PreludeSync Radial Compression Device Reference Guide [online]. [Retrieved on Feb. 26, 2019] Retrieved from the internet: <<https://www.merit.com/wp-content/uploads/2018/09/PreludeSYNC-Reference-Guide-Poster.pdf>>.

Merit Medical—PreludeSync™ Radial Compression Device [online]. [Retrieved on Feb. 26, 2019] Retrieved from the internet: <<https://www.merit.com/cardiac-intervention/hemostasis/compression-devices/preludesync-radial-compression-device/#toggle-id-1>>.

TZ Medical—ARC Adjustable Radial Cuff [online]. [Retrieved on Feb. 26, 2019] Retrieved from the internet: <<https://www.tzmedical.com/products/hemostasis-/arc---adjustable-radial-cuff-.html>>.

(Continued)

*Primary Examiner* — Gino Colan

(74) *Attorney, Agent, or Firm* — Quarles & Brady LLP;  
James J. Aquilina

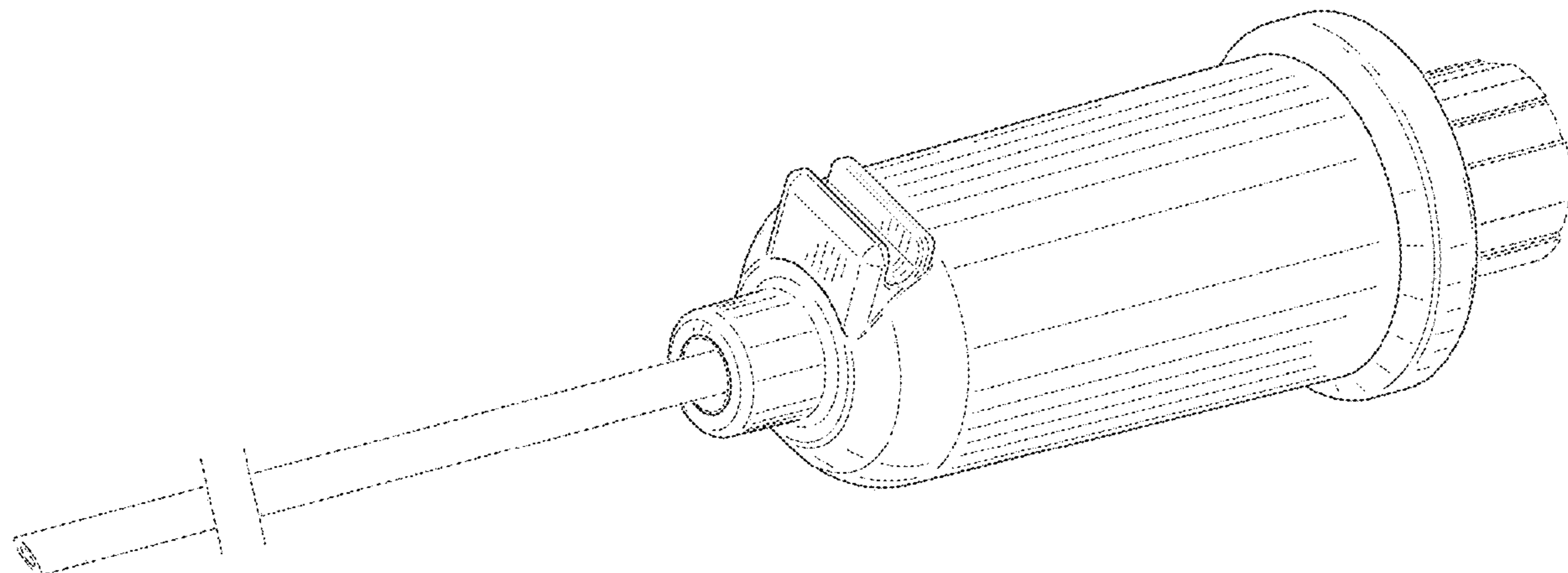
(57) **CLAIM**

The ornamental design for an inflation valve, as shown and described.

**DESCRIPTION**

FIG. 1 is a front perspective view of an inflation valve showing my new design;  
FIG. 2 is a rear perspective view thereof;  
FIG. 3 is a right side elevation view thereof;  
FIG. 4 is a left side elevation view thereof;  
FIG. 5 is a top plan view thereof;  
FIG. 6 is a bottom plan view thereof;  
FIG. 7 is a rear elevation view thereof; and,  
FIG. 8 is a front elevation view thereof.  
The dashed broken lines in FIGS. 1-8 show unclaimed portions of the inflation valve.

**1 Claim, 4 Drawing Sheets**



(56)

**References Cited**

OTHER PUBLICATIONS

Medtronic—Tracelet compression device [online]. [Retrieved on Feb. 26, 2019] Retrieved from the internet: <<https://www.medtronic.com/us-en/healthcare-professionals/therapies-procedures/cardiovascular/transradial/tracelet-compression-device.html>>.

Teleflex Vasc Band hemostat [online]. [Retrieved on Feb. 26, 2019] Retrieved from the internet: <<https://www.teleflex.com/usa/product-areas/interventional/vascular-access-closure/vasc-band-hemostat/>>.

\* cited by examiner

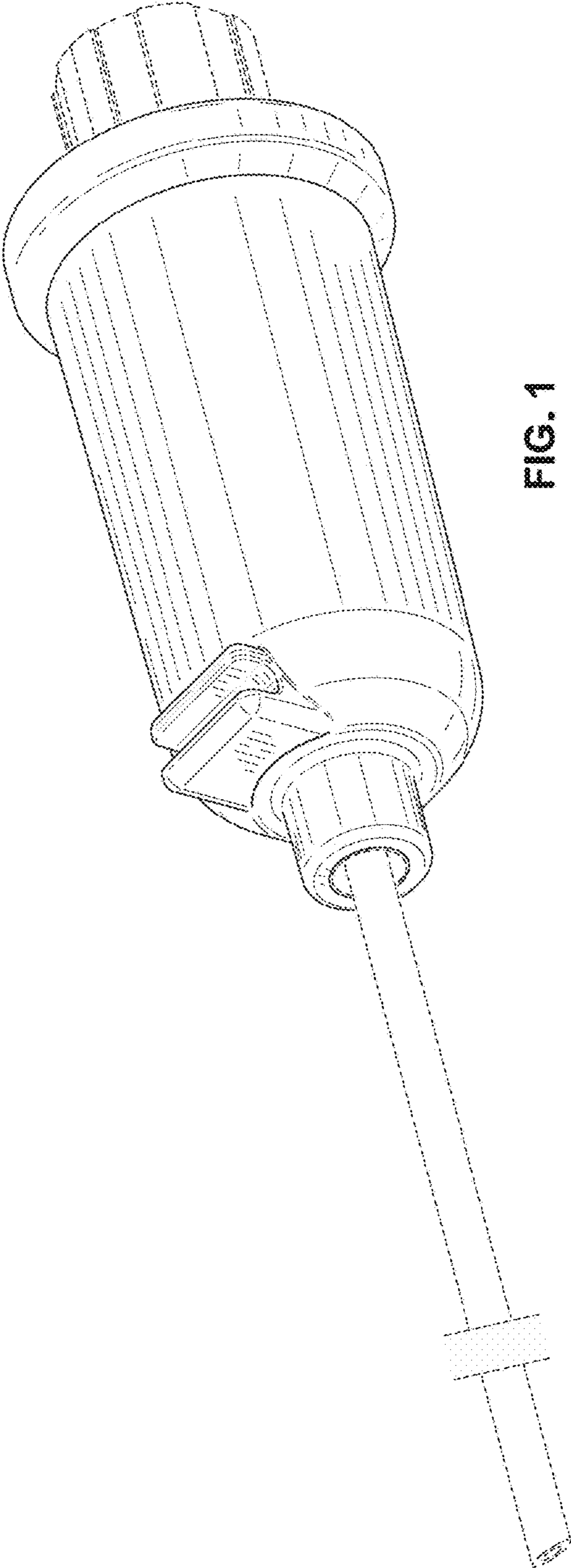


FIG. 1

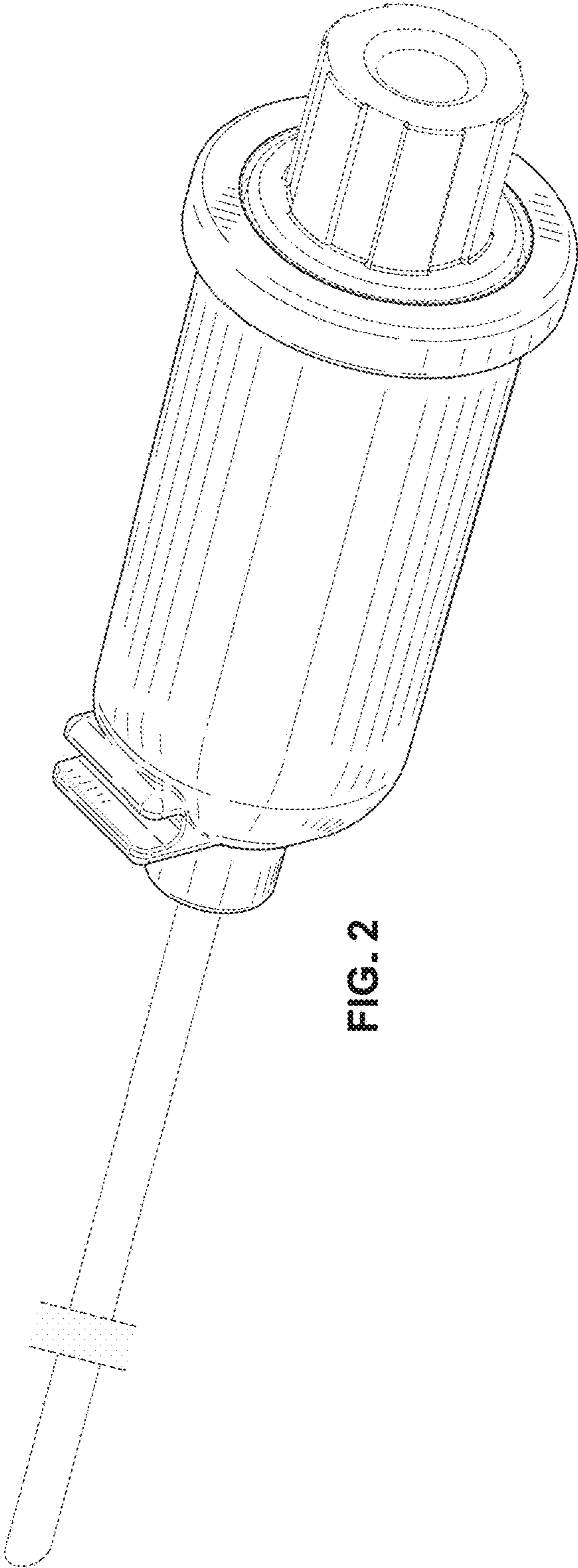


FIG. 2

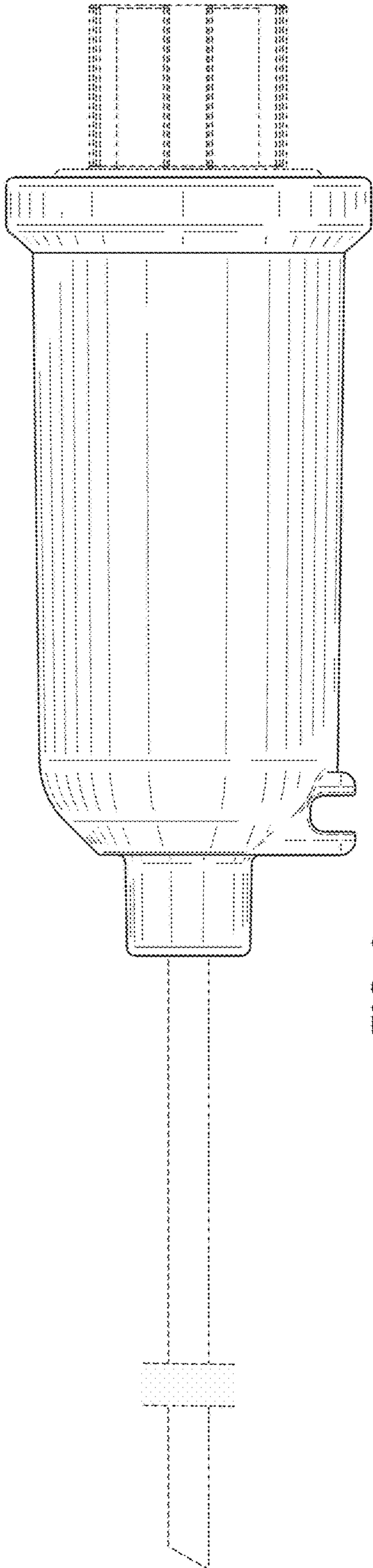


FIG. 3

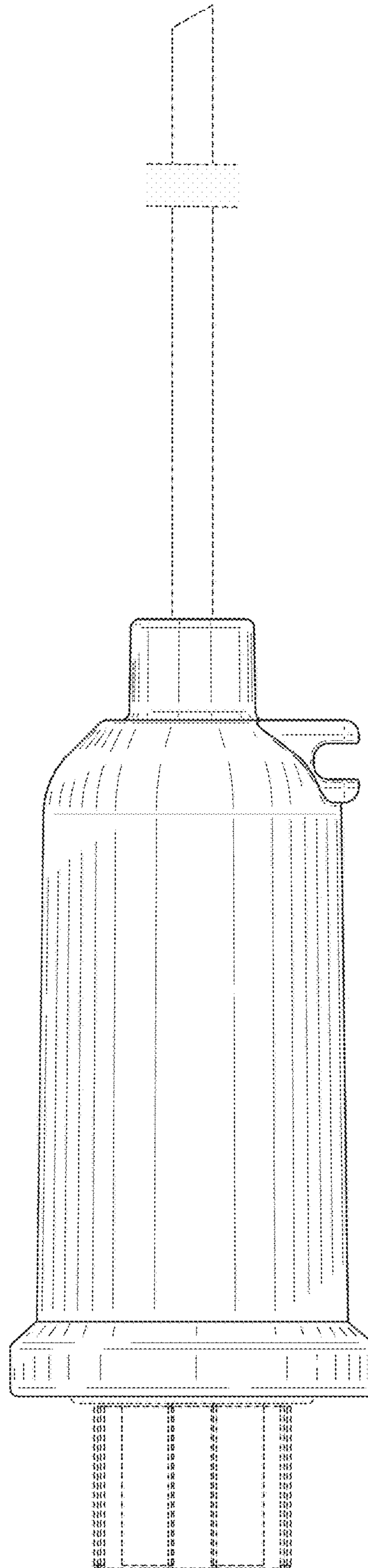


FIG. 4

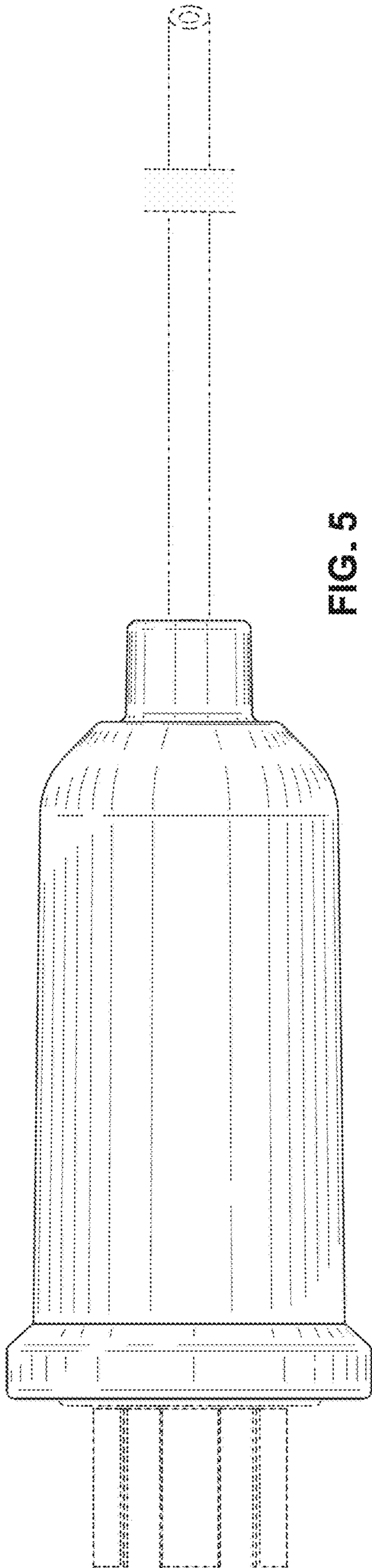


FIG. 5

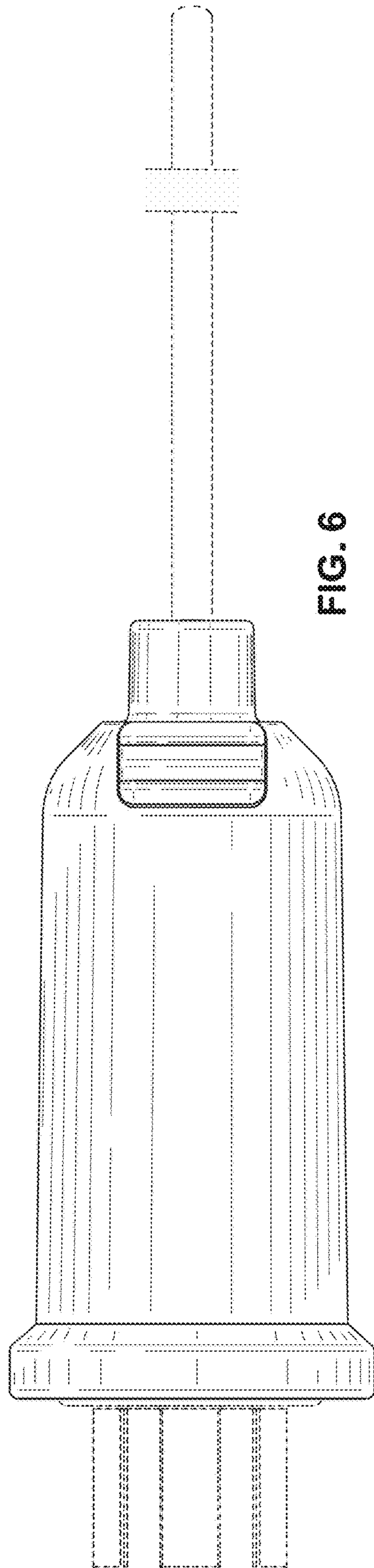


FIG. 6

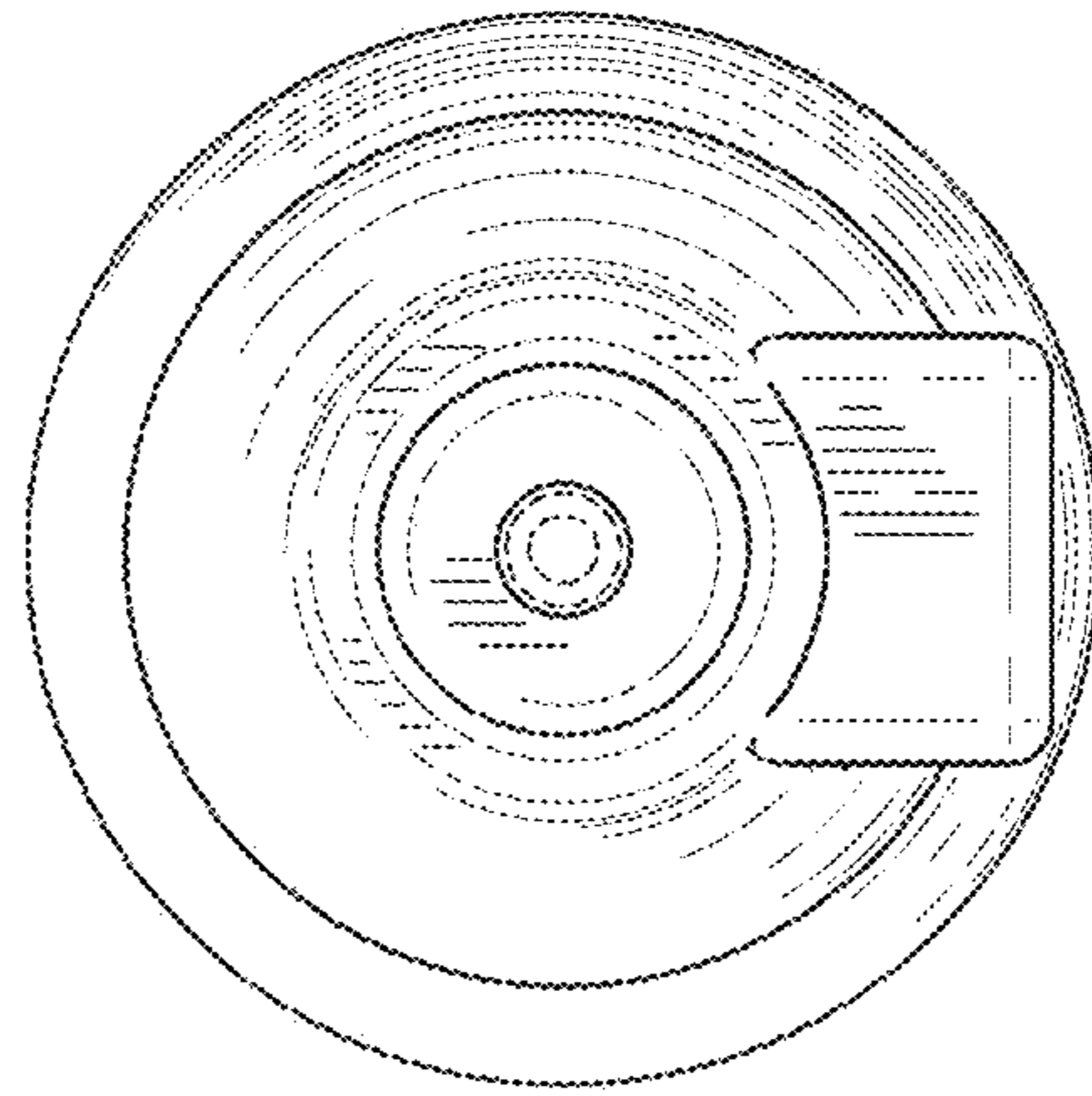


FIG. 8

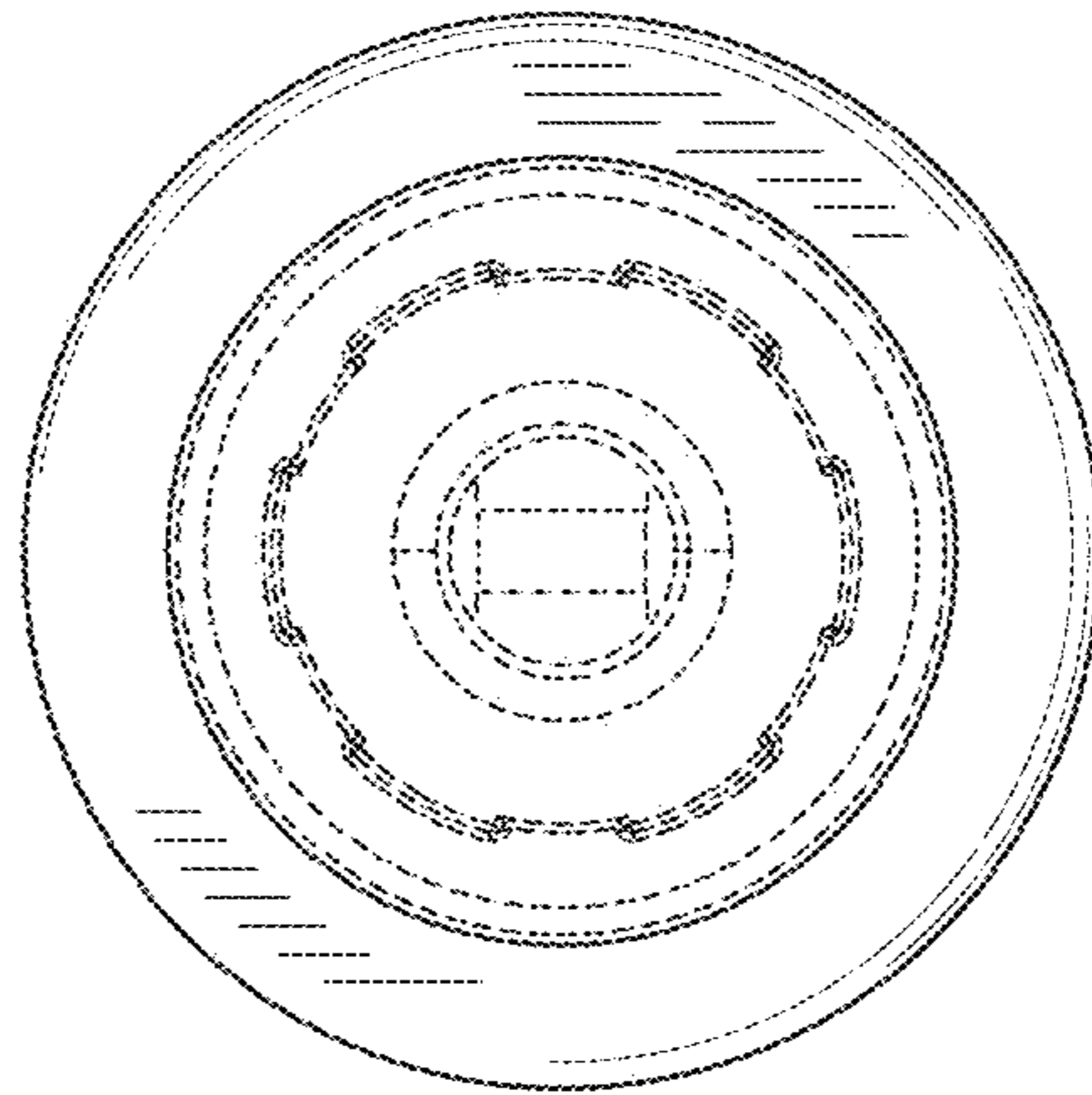


FIG. 7