



US00D924394S

(12) **United States Design Patent** (10) **Patent No.:** **US D924,394 S**
Johnston (45) **Date of Patent:** **** Jul. 6, 2021**

(54) **DEVICE FOR ADJUSTING THE STRAPS OF A MEDICAL FACE MASK**

(71) Applicant: **Judy K. Johnston**, Fremont, IN (US)

(72) Inventor: **Judy K. Johnston**, Fremont, IN (US)

(**) Term: **15 Years**

(21) Appl. No.: **29/757,974**

(22) Filed: **Nov. 11, 2020**

(51) **LOC (13) Cl.** **24-02**

(52) **U.S. Cl.**
USPC **D24/127**

(58) **Field of Classification Search**
USPC D24/127, 110.1; D29/122, 108; D8/383,
D8/396; 129/206.19, 207.11, 206.13;
2/9
CPC A41D 13/1138; A41D 13/1161; A41D
13/1192

See application file for complete search history.

(56) **References Cited**

U.S. PATENT DOCUMENTS

| | | | | | | |
|-----------|-----|---------|----------------|-------|--------------|------------|
| 2,752,916 | A * | 7/1956 | Haliczer | | A41D 13/1115 | 128/206.19 |
| D197,450 | S | 2/1964 | Grimm | | | |
| 3,257,695 | A * | 6/1966 | Frame | | B65D 33/1616 | 24/30.5 P |
| D225,582 | S | 12/1972 | King | | | |
| D250,047 | S | 10/1978 | Lewis et al. | | | |
| 4,323,063 | A | 4/1982 | Fisichella | | | |
| 4,657,010 | A | 4/1987 | Wright | | | |
| 4,790,307 | A | 12/1988 | Haber et al. | | | |
| 4,802,473 | A | 2/1989 | Hubbard et al. | | | |
| D301,433 | S * | 6/1989 | Krauss | | 24/129 R | |
| 5,107,547 | A | 4/1992 | Scheu | | | |
| D402,424 | S * | 12/1998 | Jackson | | D29/122 | |
| D505,616 | S * | 5/2005 | Wingarter | | D2/980 | |

| | | | | | | |
|--------------|------|---------|-----------|-------|--------------|------------|
| D562,729 | S * | 2/2008 | Hitchcock | | D11/218 | |
| D580,600 | S * | 11/2008 | Garcia | | D29/122 | |
| D713,759 | S * | 9/2014 | Guney | | D11/218 | |
| D723,679 | S * | 3/2015 | Neff | | D24/110 | |
| D747,461 | S * | 1/2016 | Tam | | D24/110.1 | |
| D747,470 | S * | 1/2016 | Blomberg | | D24/127 | |
| D778,508 | S * | 2/2017 | Moreau | | D29/122 | |
| D830,161 | S * | 10/2018 | Russo | | D8/399 | |
| 2009/0044812 | A1 * | 2/2009 | Welchel | | A41D 13/1161 | 128/207.11 |
| 2014/0237695 | A1 | 8/2014 | Al Malki | | | |
| 2018/0280738 | A1 * | 10/2018 | Gabriel | | A62B 18/025 | |
| 2019/0090558 | A1 * | 3/2019 | Xu | | A41D 13/1146 | |

* cited by examiner

Primary Examiner — David G Muller

(74) *Attorney, Agent, or Firm* — Suzanne Kikel, Patent Agent

(57) **CLAIM**

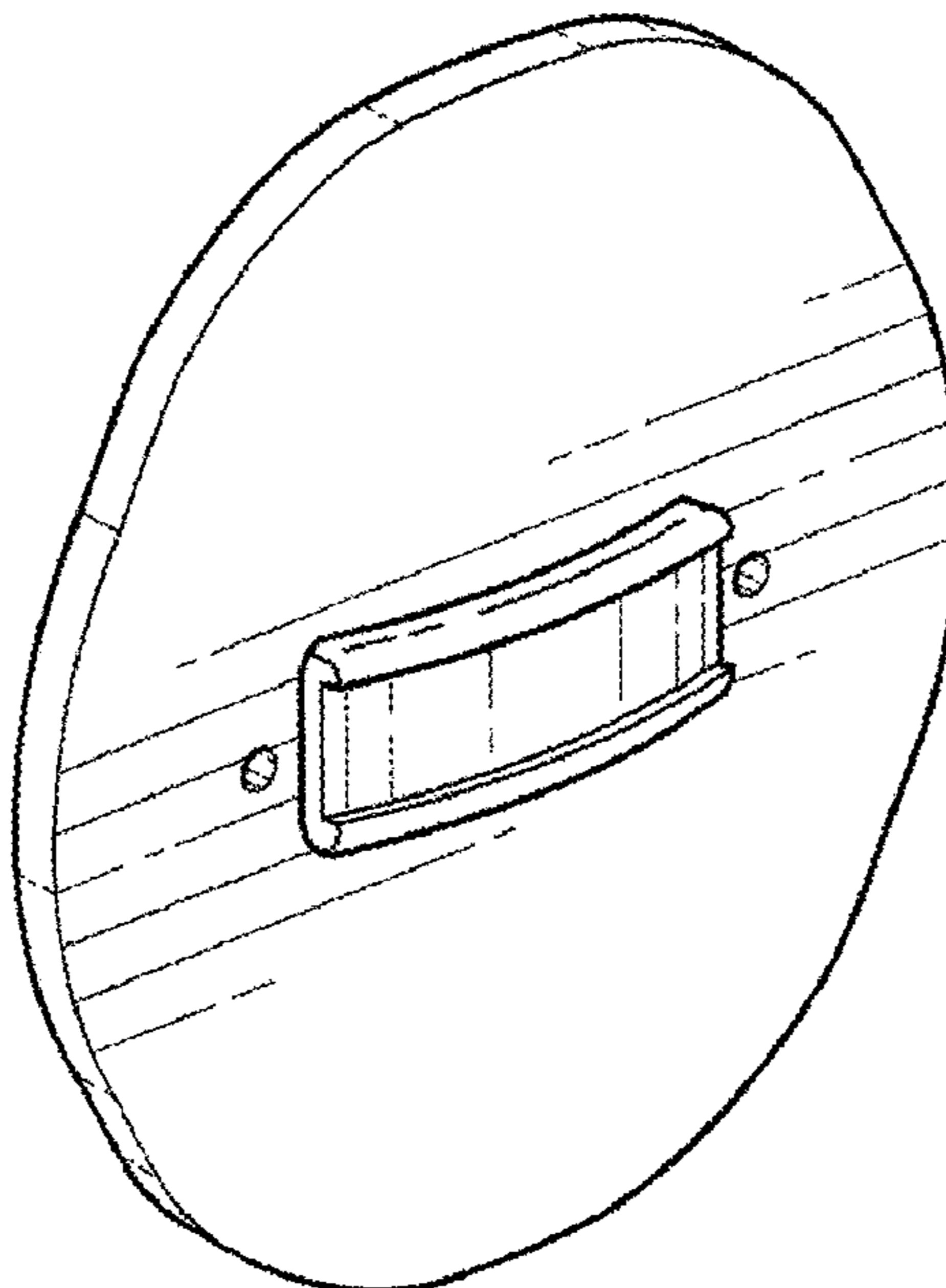
The ornamental design for a device for adjusting the straps of a medical face mask, as shown and described.

DESCRIPTION

FIG. 1 is a front perspective view of a device for adjusting the straps of a medical face mask, showing my new design; FIG. 2 is a rear view thereof; FIG. 3 is a front view thereof; FIG. 4 is a left side view thereof; FIG. 5 is a right side view thereof; FIG. 6 is a top view thereof; FIG. 7 is a bottom view thereof; and, FIG. 8 is a front view thereof in an operative mode with a medical face mask.

The broken lines showing an environment for use of the device for adjusting the straps of a medical face mask in the drawings are for illustrative purposes only and form no part of the claimed design.

1 Claim, 3 Drawing Sheets



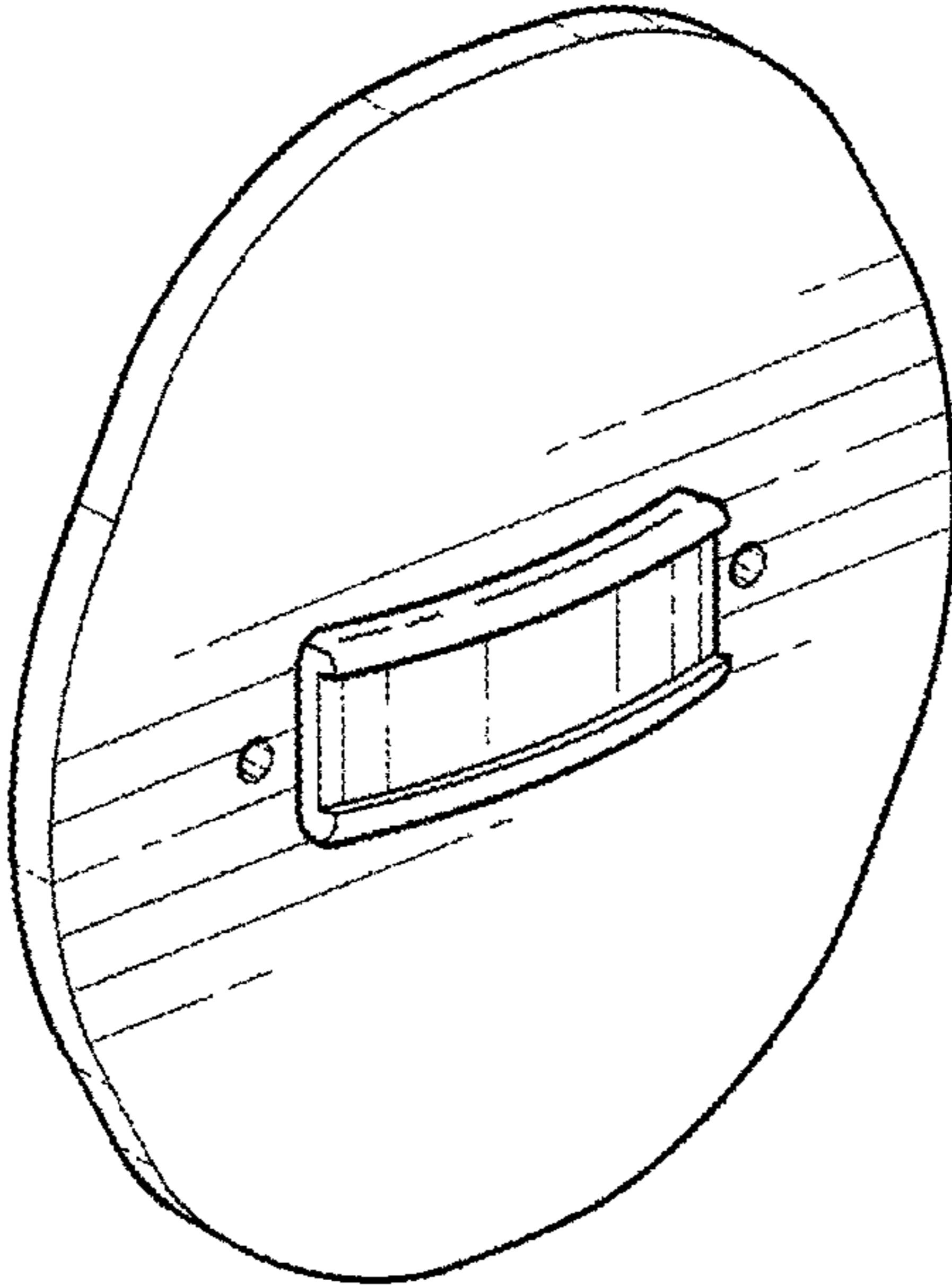


FIG. 1

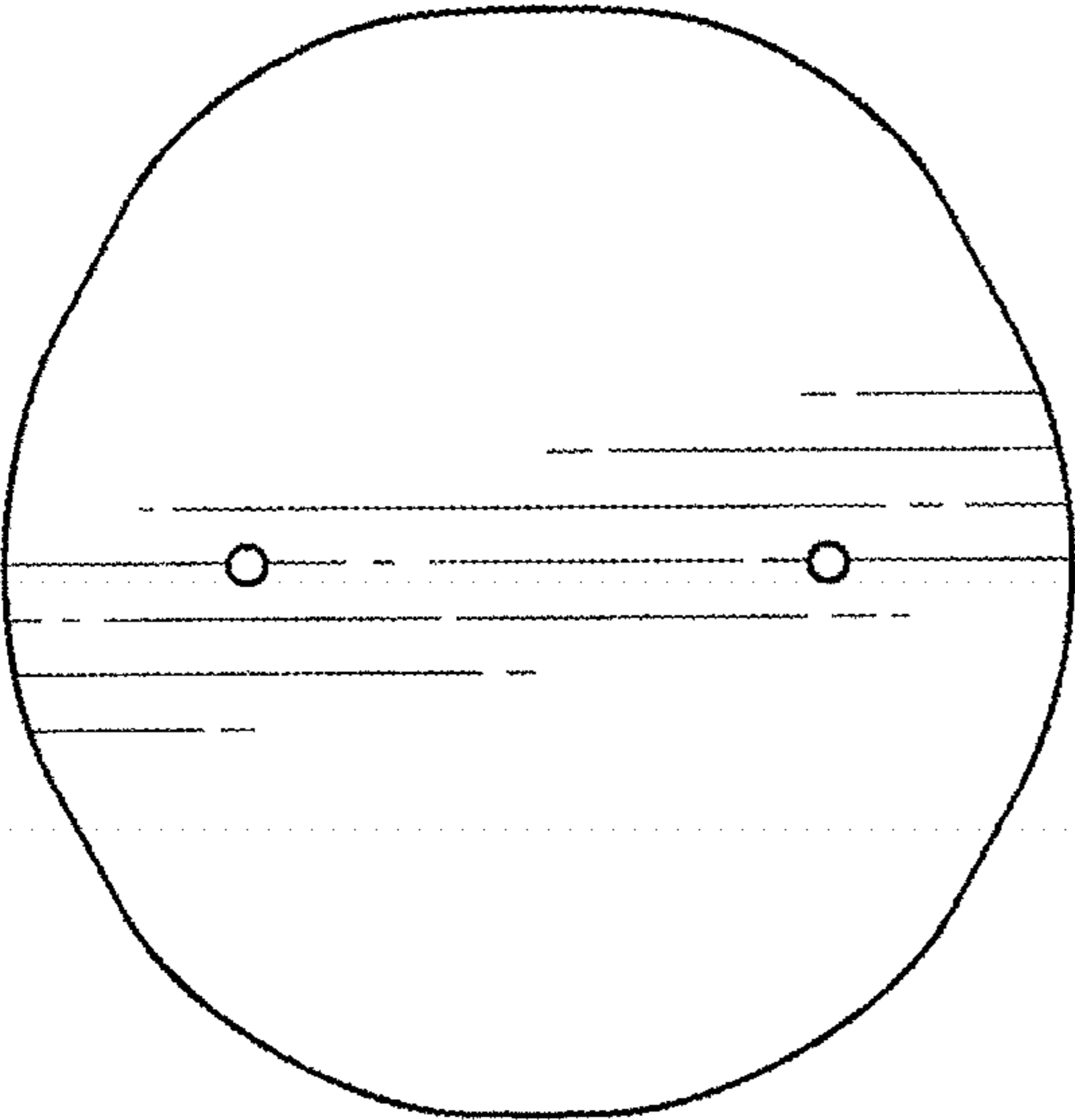


FIG. 2

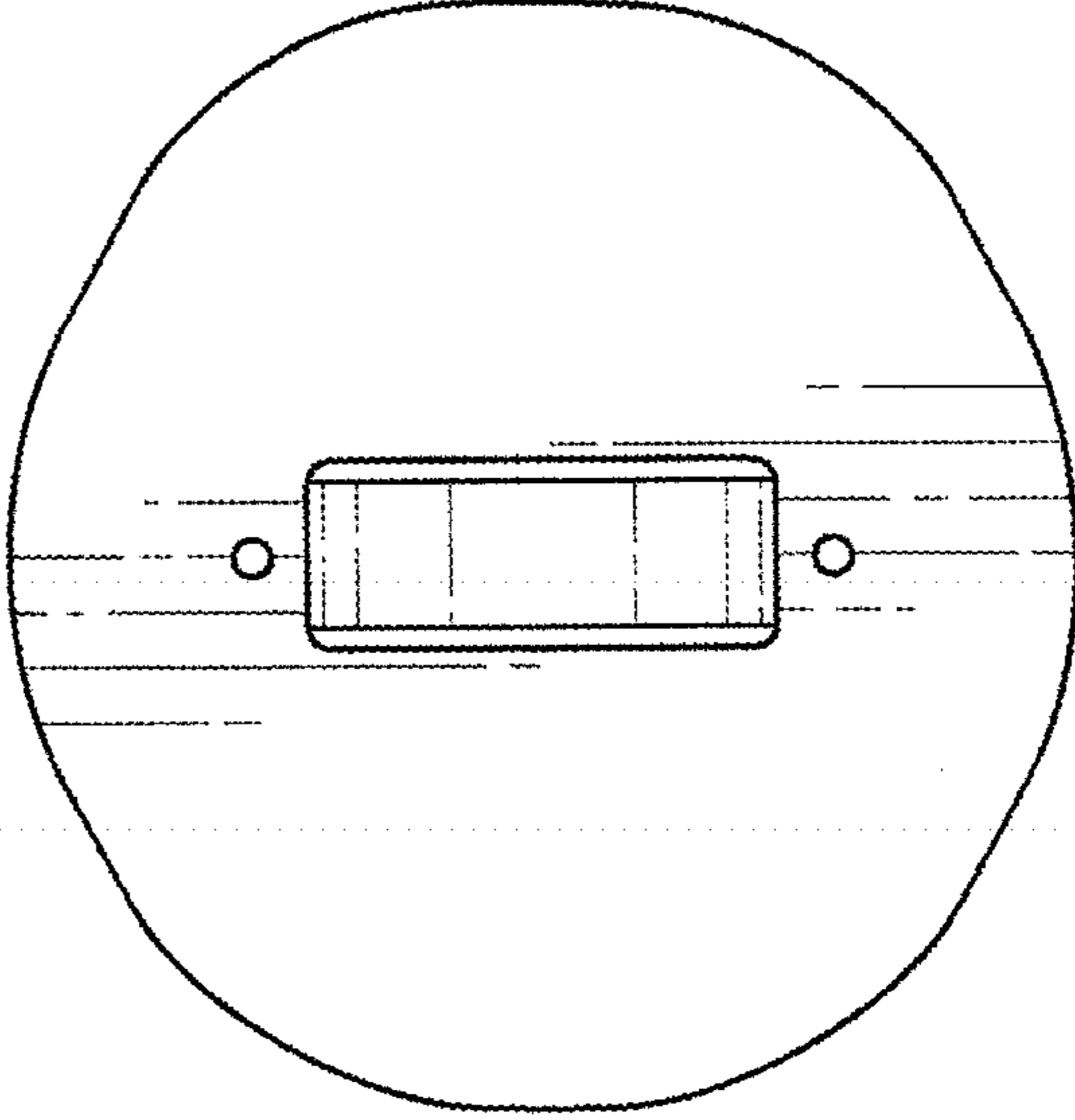


FIG. 3



FIG. 4



FIG. 5

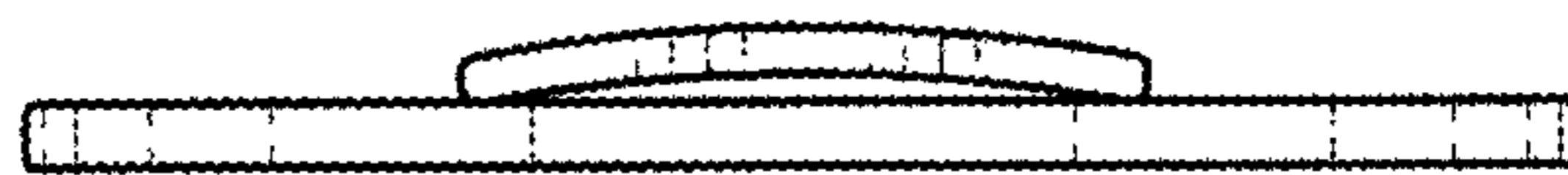


FIG. 6

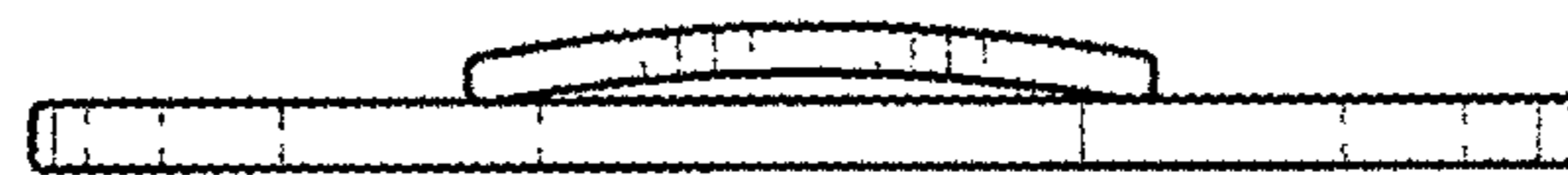


FIG. 7

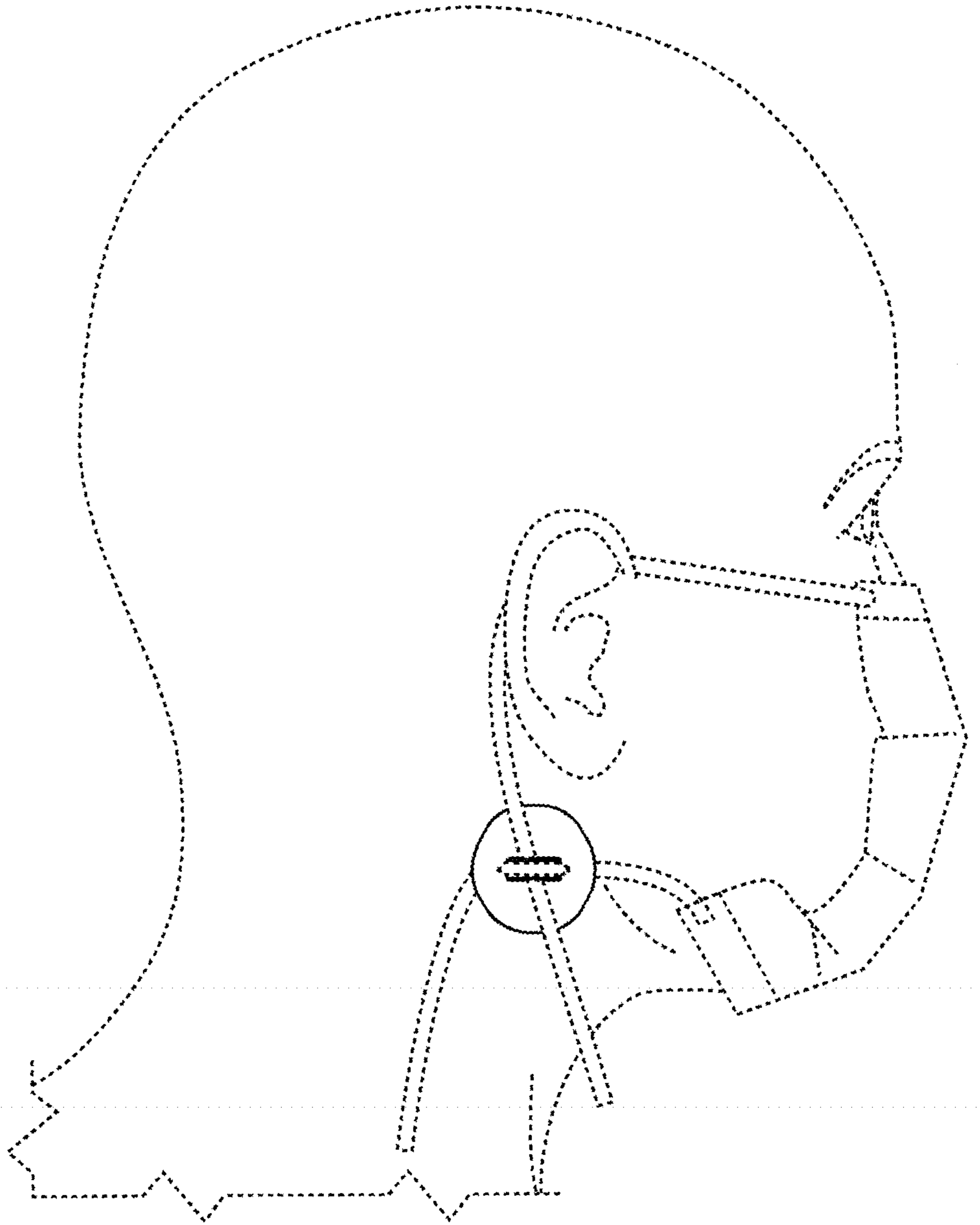


FIG. 8