



US00D924392S

(12) **United States Design Patent** (10) **Patent No.:** **US D924,392 S**
Concu et al. (45) **Date of Patent:** **** Jul. 6, 2021**

(54) **COMPONENT OF A DRUG DELIVERY DEVICE**

D616,093 S 5/2010 Kawamura
7,775,990 B2 8/2010 DeHart
D679,596 S * 4/2013 Stull, Sr. D9/452

(71) Applicant: **Eli Lilly and Company**, Indianapolis, IN (US)

(Continued)

(72) Inventors: **Andrea Concu**, Milan (IT); **Giorgio Maria Sardo**, Milan (IT)

FOREIGN PATENT DOCUMENTS

WO 2016131713 8/2016
WO 2016142727 9/2016

(73) Assignee: **Eli Lilly and Company**, Indianapolis, IN (US)

(Continued)

(**) Term: **15 Years**

OTHER PUBLICATIONS

(21) Appl. No.: **29/758,962**

Design U.S. Appl. No. 29/661,604, filed Aug. 29, 2018 entitled "Component for a Drug Delivery Device" consisting of a 4-page Specification and 16 pages of Figures.

(22) Filed: **Nov. 19, 2020**

(Continued)

Related U.S. Application Data

Primary Examiner — David G Muller

(63) Continuation of application No. 29/661,620, filed on Aug. 29, 2018, now Pat. No. Des. 903,858.

(74) *Attorney, Agent, or Firm* — M. Daniel Spillman

(51) **LOC (13) Cl.** **24-02**

(57) **CLAIM**

(52) **U.S. Cl.**

The ornamental design for a component of a drug delivery device, as shown and described.

USPC **D24/113**

(58) **Field of Classification Search**

DESCRIPTION

USPC D24/112–114, 108, 130, 127, 133, 186; 606/181, 185; 604/264, 523–528, 272, 604/164.01–164.11, 187, 93.01; 600/101, 600/139, 143; 128/200.24, 207.14, 128/207.15; D9/772, 773, 774, 549, 556, D9/452, 453

FIG. 1 is a top perspective view of a component of a drug delivery device showing the new design; FIG. 2 is a front elevation view thereof; FIG. 3 is a rear elevation view thereof; FIG. 4 is a left side elevation view thereof; FIG. 5 is a right side elevation view thereof; FIG. 6 is a top plan view thereof; FIG. 7 is a bottom plan view thereof; and, FIG. 8 is a bottom perspective view thereof.

CPC .. A61M 25/065; A61M 5/42; A61M 25/0612; A61M 25/00; A61M 39/00; A61M 27/00; A61M 25/0043; A61M 25/0067; A61M 25/0097; A61F 2/958

See application file for complete search history.

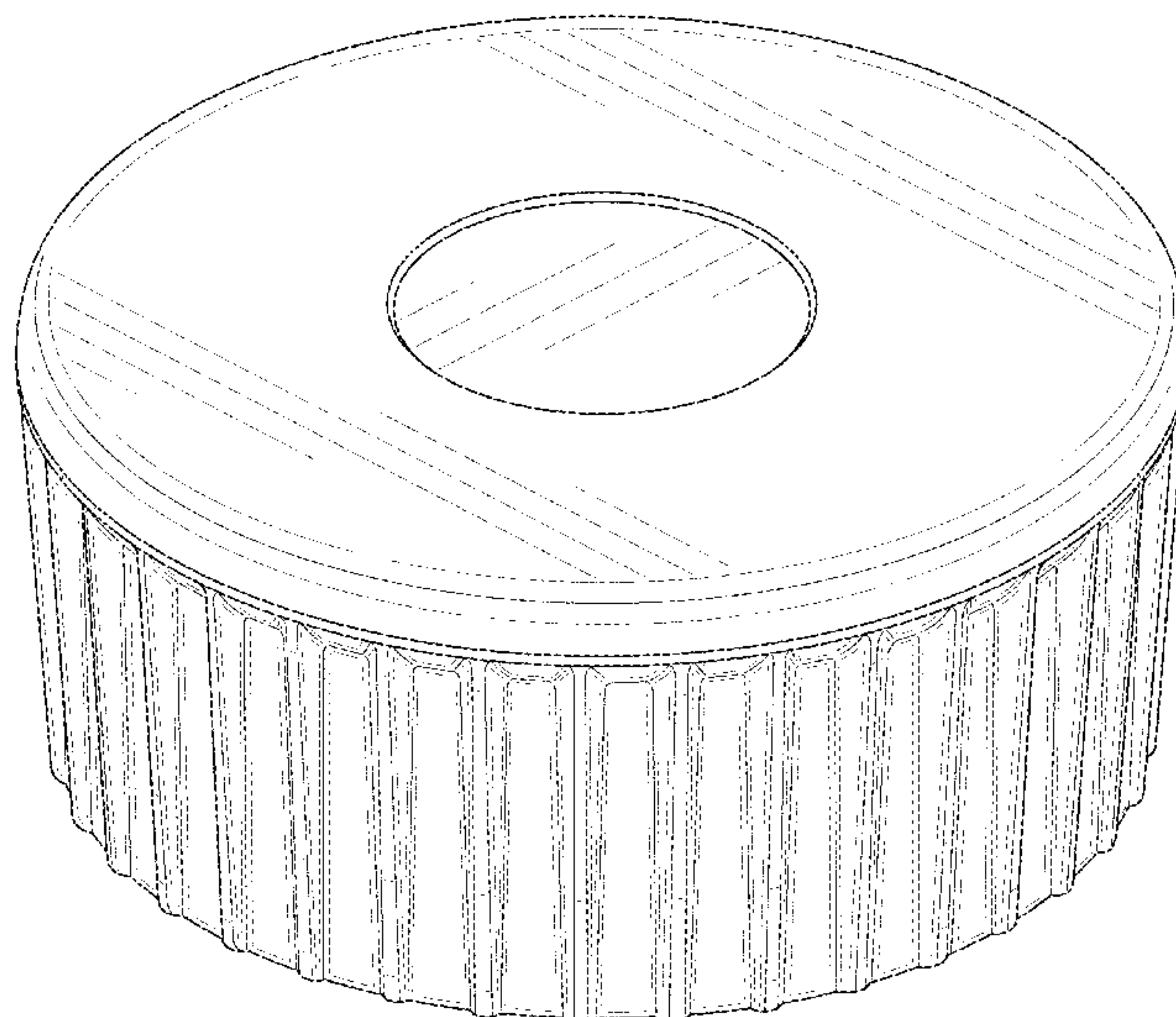
The broken lines of uneven length illustrate the boundary of the claimed design and form no part thereof. The broken lines of even length shown in the drawings illustrate portions of the component of a drug delivery device that form no part of the claimed design.

(56) **References Cited**

U.S. PATENT DOCUMENTS

D496,101 S 9/2004 Davison
D578,889 S * 10/2008 Sadiq D9/453

1 Claim, 8 Drawing Sheets



(56)

References Cited

FOREIGN PATENT DOCUMENTS

U.S. PATENT DOCUMENTS

8,795,309 B2 8/2014 Lacy
 D723,681 S 3/2015 Ingram et al.
 D745,668 S 12/2015 Shiraishi et al.
 D751,192 S 3/2016 She et al.
 D779,057 S 2/2017 Wohlfahrt et al.
 D788,296 S 5/2017 Ishida et al.
 D797,928 S 9/2017 Davis et al.
 D797,929 S 9/2017 Davis et al.
 D802,760 S * 11/2017 Neby D24/130
 D807,503 S 1/2018 Davis et al.
 D811,879 S * 3/2018 Way D9/449
 D834,187 S 11/2018 Ryan
 D838,586 S * 1/2019 Steel D9/500
 D852,647 S * 7/2019 Burditt D9/746
 D885,904 S * 6/2020 Kim D9/453
 10,737,841 B1 * 8/2020 Duong A45D 33/18
 D899,249 S * 10/2020 Li D9/435
 10,813,433 B2 * 10/2020 Thorpe A45D 33/24
 D903,105 S * 11/2020 Brown D24/113
 D903,857 S * 12/2020 Levy D24/113
 2004/0069677 A1 * 4/2004 Baudin A45D 40/0068
 206/581

WO 2016193229 12/2016
 WO 2016198516 12/2016
 WO 2017032586 3/2017
 WO 2018013419 1/2018
 WO 2018160425 9/2018
 WO 2019036576 2/2019
 WO 2019040117 2/2019
 WO 2019040118 2/2019
 WO 2019040313 2/2019
 WO 2019164955 8/2019

OTHER PUBLICATIONS

Design U.S. Appl. No. 29/661,609, filed Aug. 29, 2018 entitled
 "Component for a Drug Delivery Device" consisting of a 5-page
 Specification and 24 Pages of Figures.
 Design U.S. Appl. No. 29/661,625, filed Aug. 29, 2018 entitled
 "Component for a Drug Delivery Device" consisting of a 3-page
 Specification and 5 Pages of Figures.

* cited by examiner

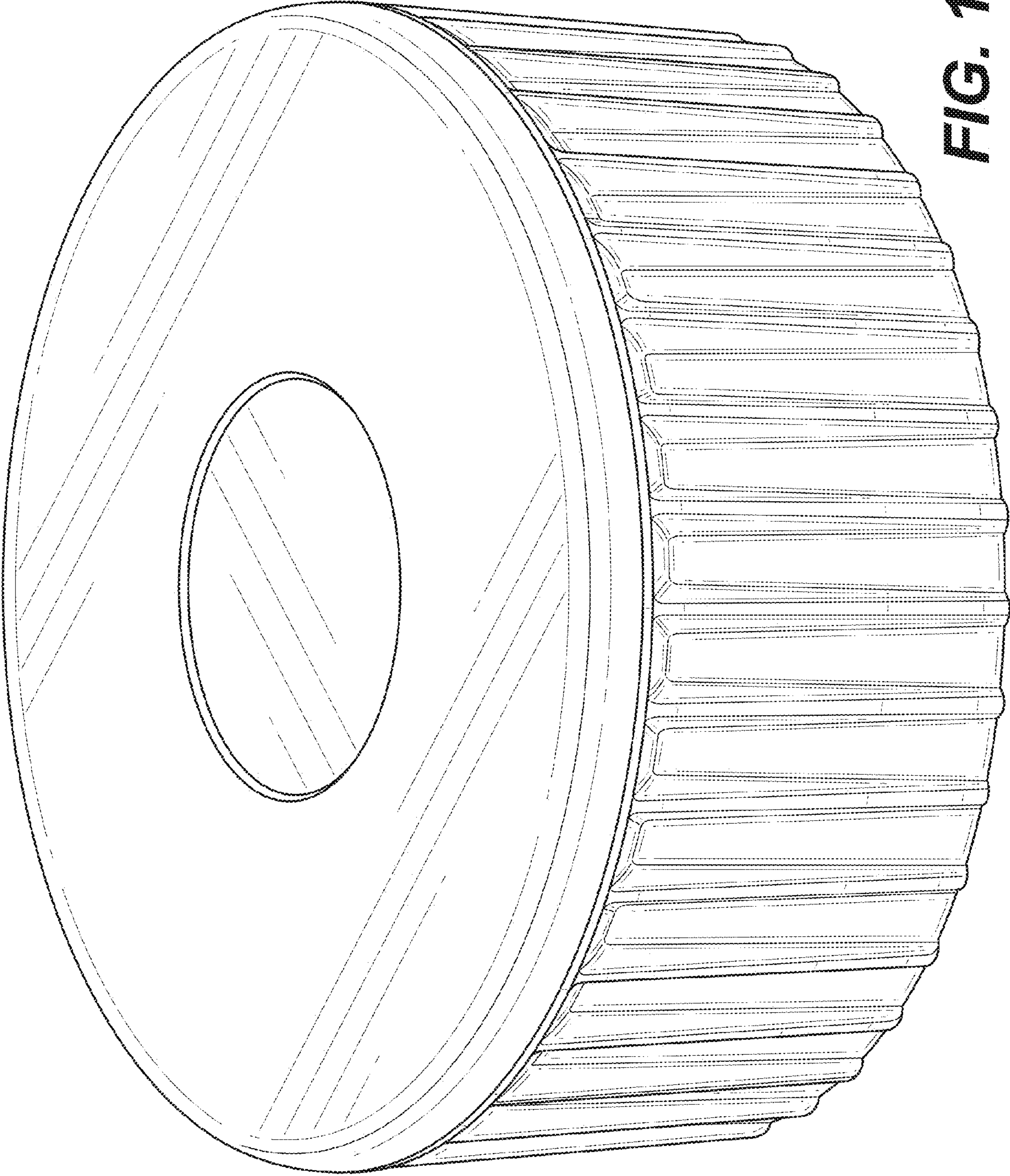


FIG. 1

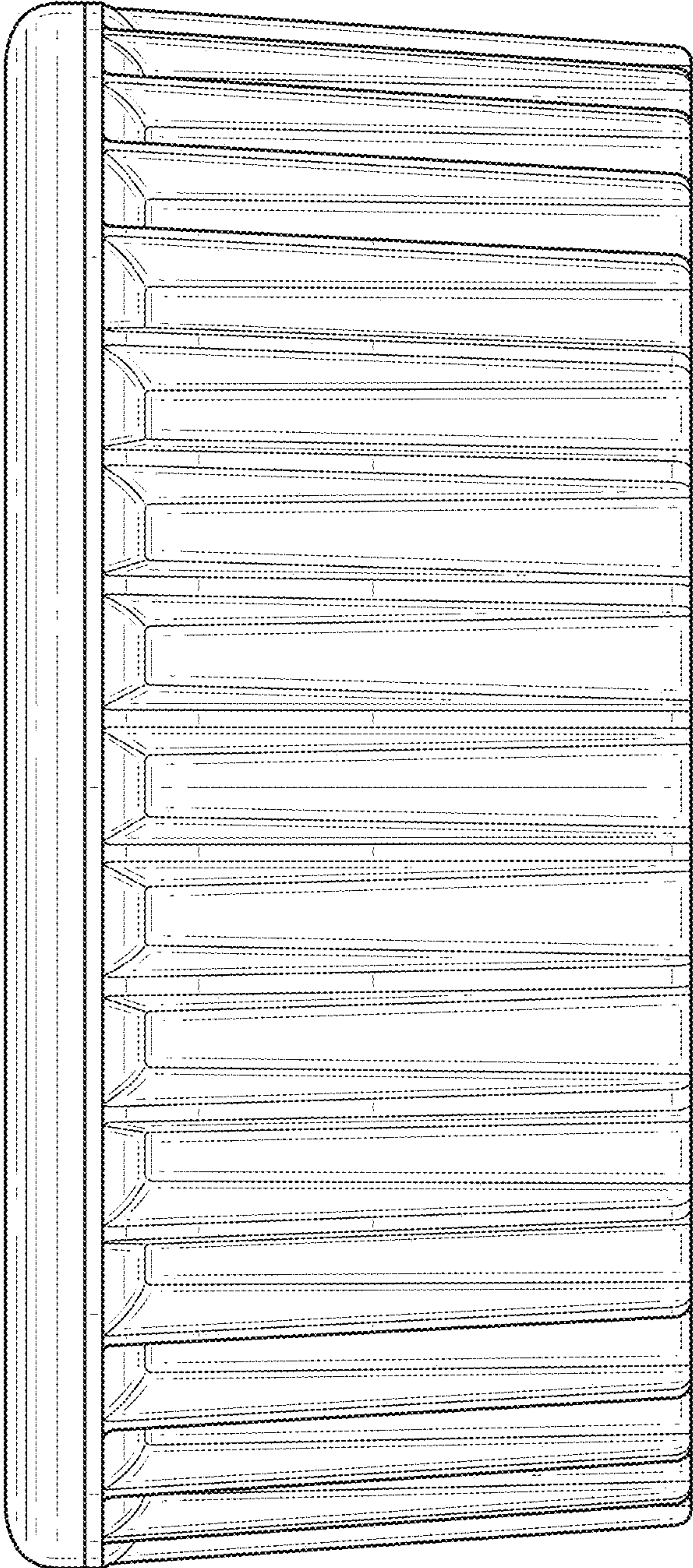


FIG. 2

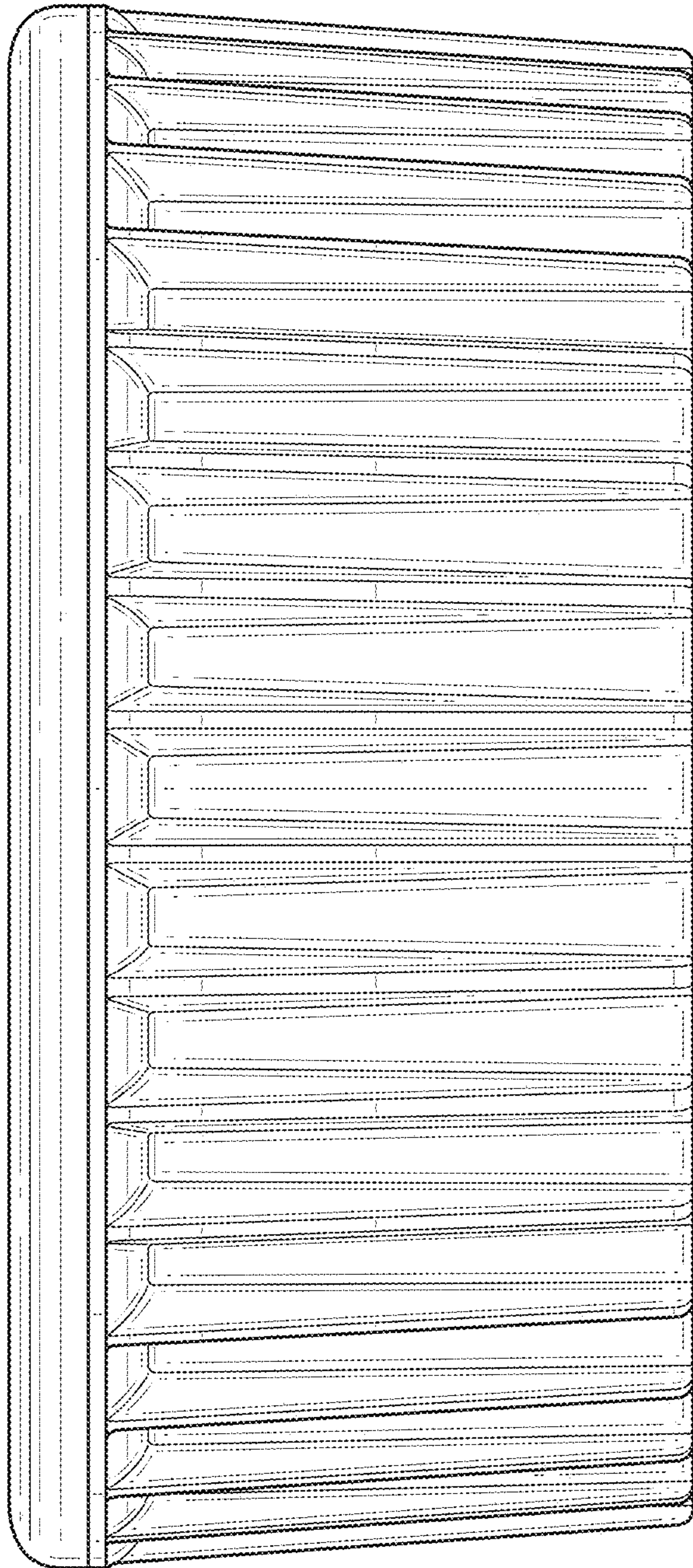


FIG. 3

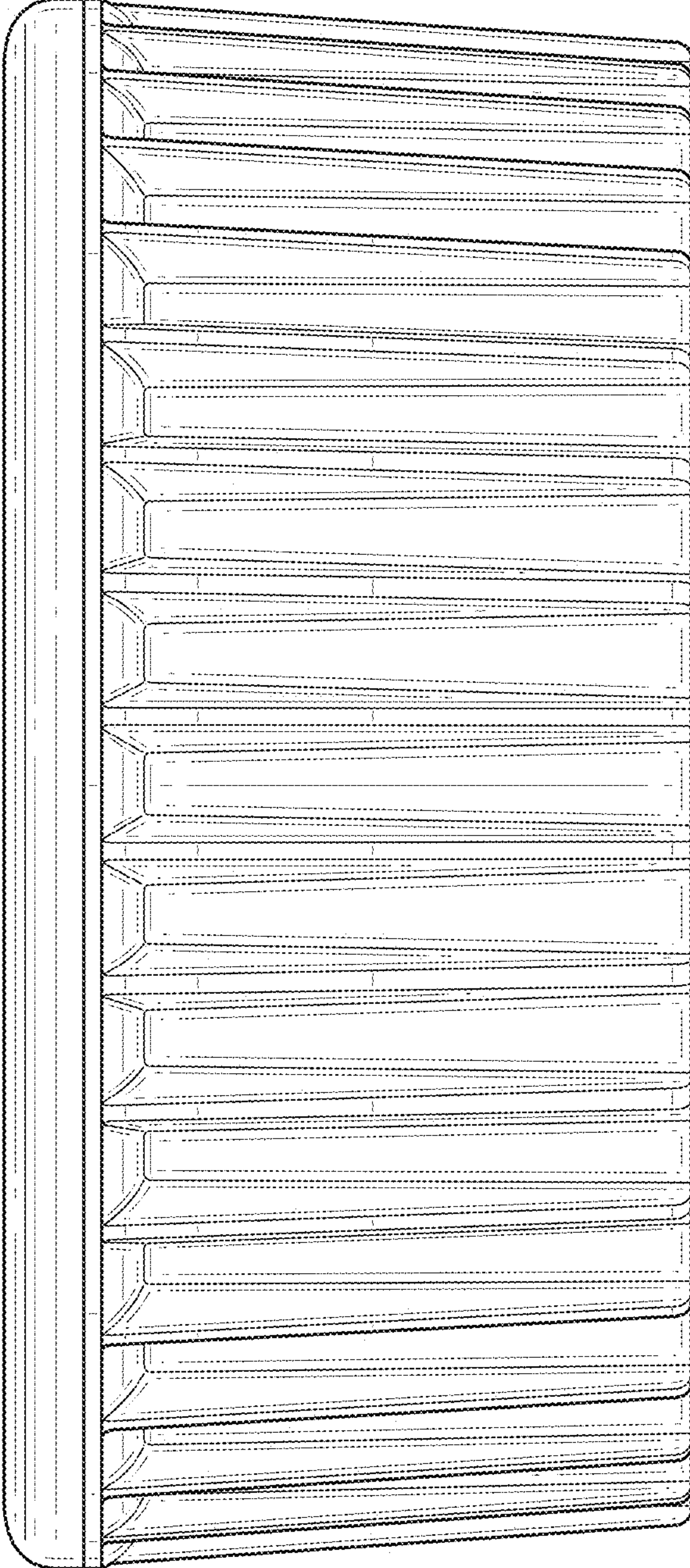


FIG. 4

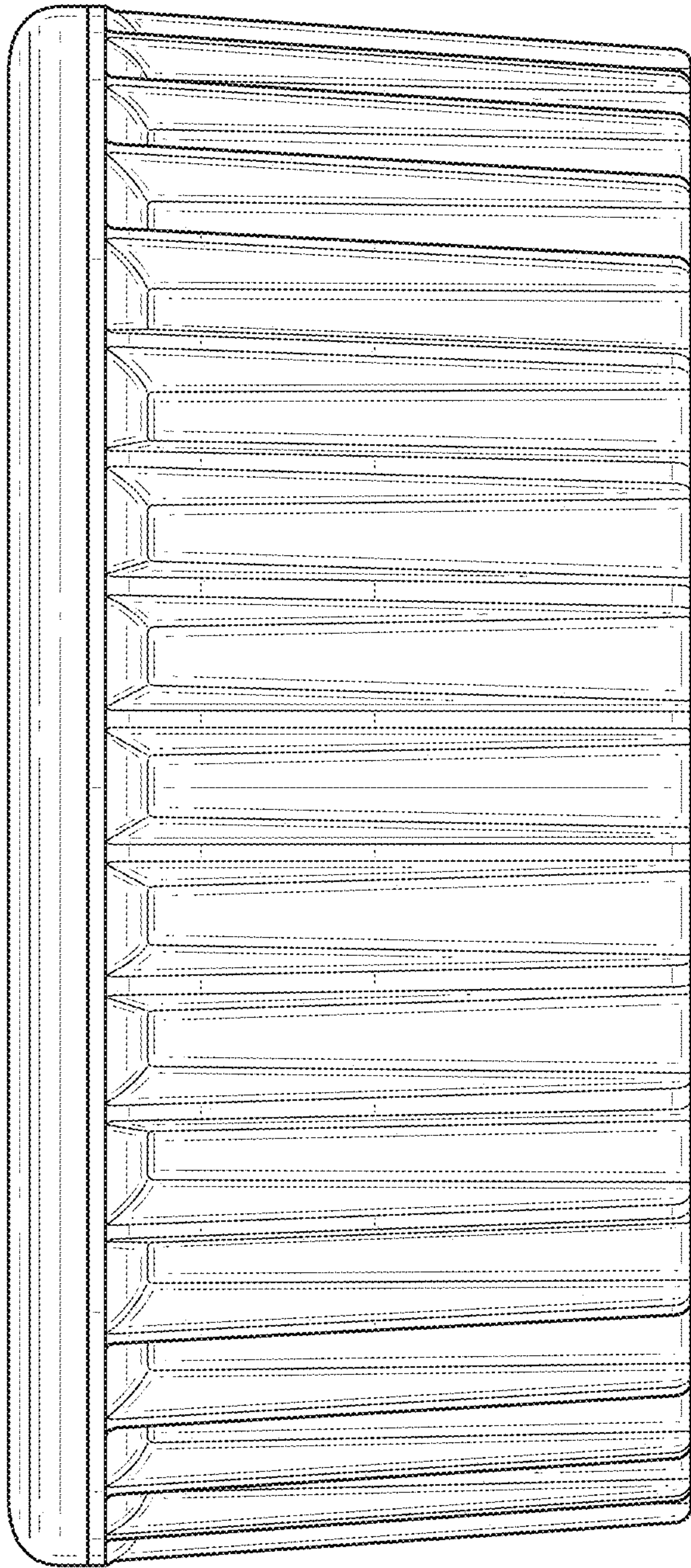


FIG. 5

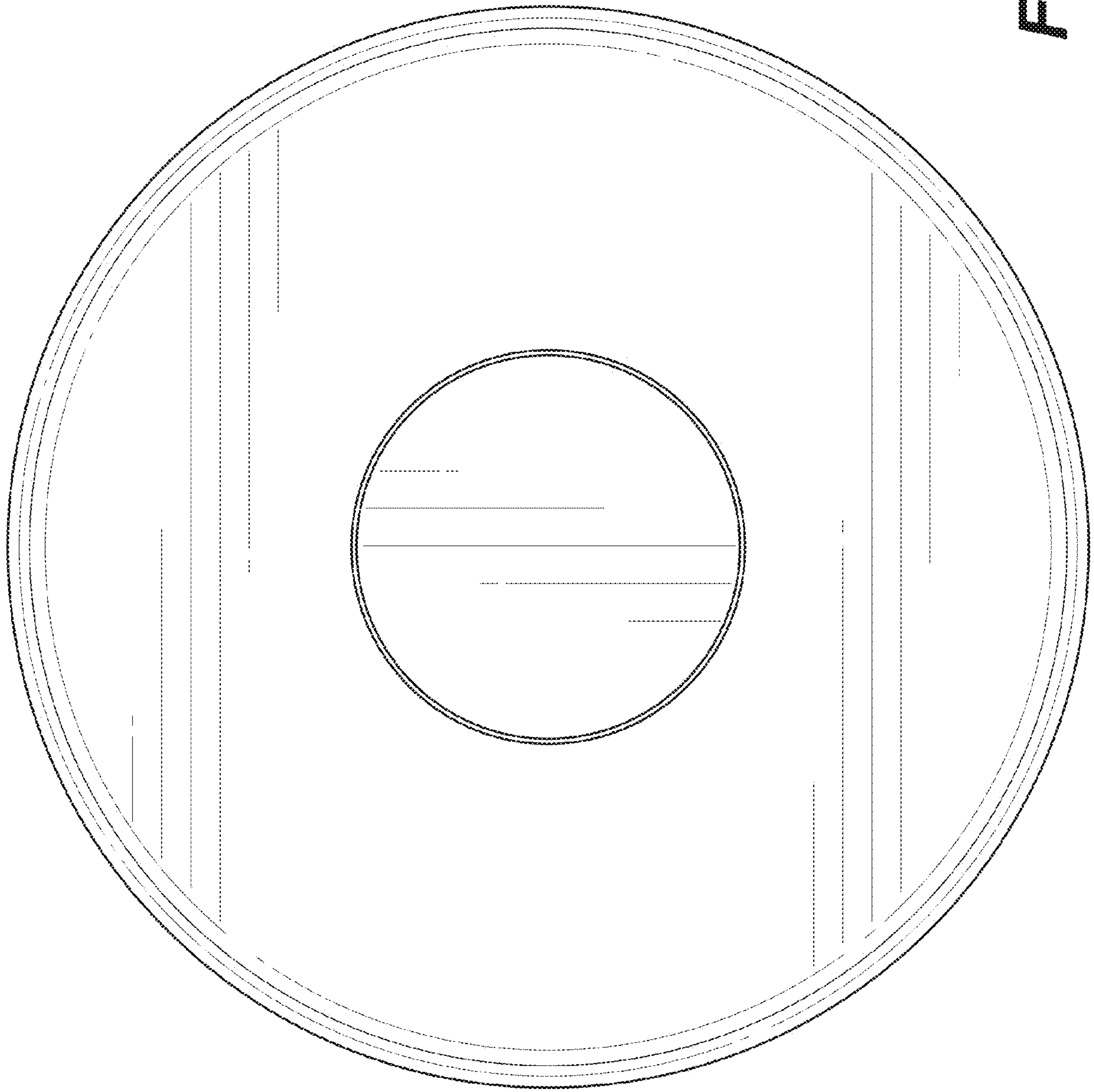


FIG. 6

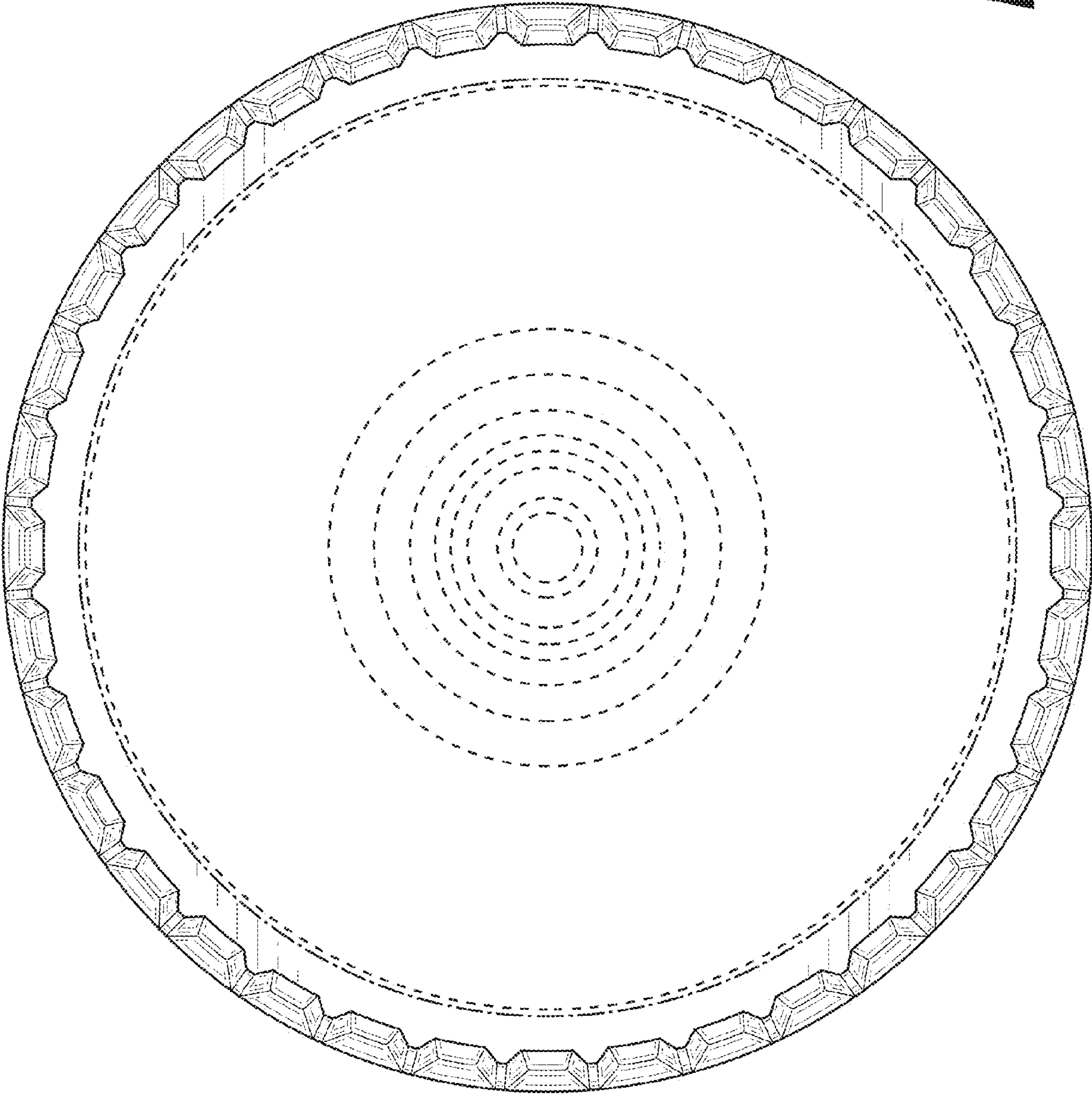


FIG. 7

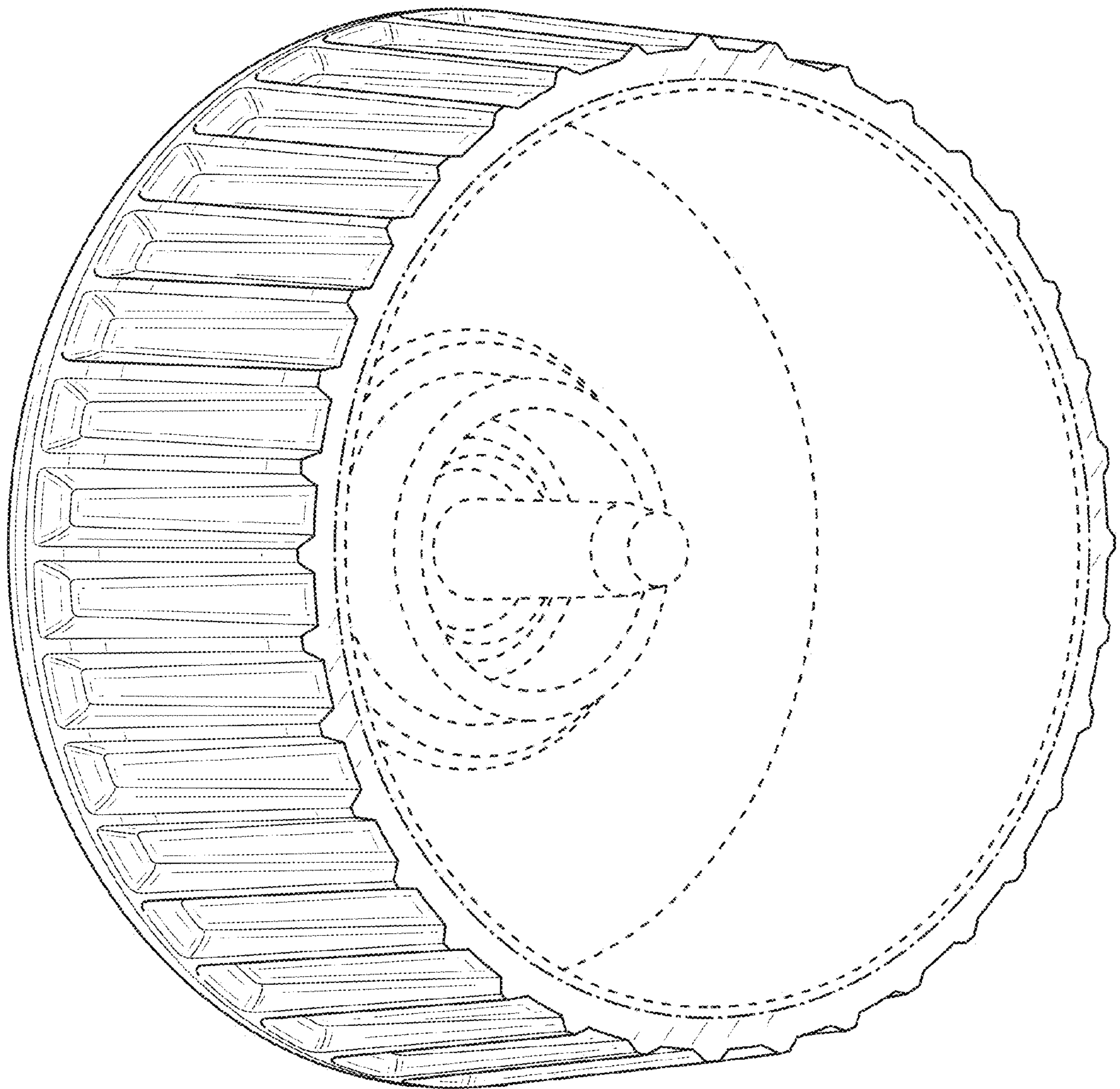


FIG. 8