



US00D924391S

(12) **United States Design Patent** (10) **Patent No.:** **US D924,391 S**
Levy (45) **Date of Patent:** **** Jul. 6, 2021**

(54) **COMPONENT FOR A DRUG DELIVERY DEVICE**

D562,144 S * 2/2008 Lane D9/556
D581,279 S * 11/2008 Oates D28/76
D606,401 S * 12/2009 Kamath D9/453

(Continued)

(71) Applicant: **Eli Lilly and Company**, Indianapolis, IN (US)

FOREIGN PATENT DOCUMENTS

(72) Inventor: **Kathryn Amanda Levy**, Indianapolis, IN (US)

WO 2016131713 8/2016
WO 2016142727 9/2016

(Continued)

(73) Assignee: **Eli Lilly and Company**, Indianapolis, IN (US)

OTHER PUBLICATIONS

(**) Term: **15 Years**

Design U.S. Appl. No. 29/661,609, filed Aug. 29, 2018 entitled "Component for a Drug Delivery Device" consisting of a 5-page Specification and 24 Pages of Figures.

(Continued)

(21) Appl. No.: **29/758,931**

(22) Filed: **Nov. 19, 2020**

Related U.S. Application Data

(63) Continuation of application No. 29/661,604, filed on Aug. 29, 2018, now Pat. No. Des. 903,857.

Primary Examiner — David G Muller

(74) *Attorney, Agent, or Firm* — M. Daniel Spillman

(51) **LOC (13) Cl.** **24-02**

(52) **U.S. Cl.**
USPC **D24/113**

(57) **CLAIM**

The ornamental design for a component of a drug delivery device, as shown and described.

(58) **Field of Classification Search**
USPC D24/112–114, 108, 130, 127, 133, 186;
606/181, 185; 604/264, 523–528, 272,
604/164.01–164.11, 187, 93.01; 600/101,
600/139, 143; 128/200.24, 207.14,
128/207.15
CPC .. A61M 25/065; A61M 5/42; A61M 25/0612;
A61M 25/00; A61M 39/00; A61M 27/00;
A61M 25/0043; A61M 25/0067; A61M
25/0097; A61F 2/958
See application file for complete search history.

DESCRIPTION

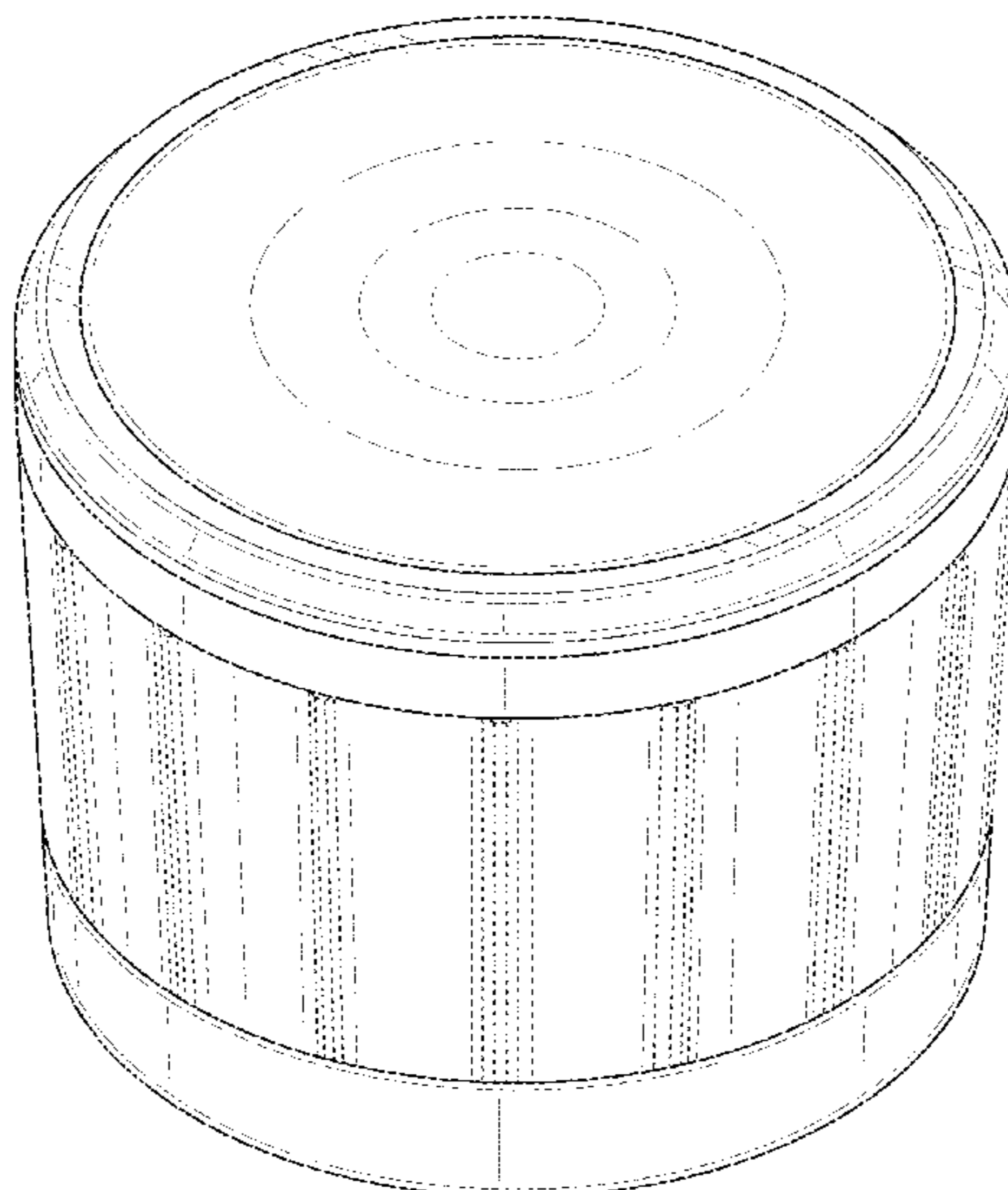
FIG. 1 is a front, top perspective view of a component of a drug delivery device, showing the new design; FIG. 2 is a rear elevation view thereof; FIG. 3 is a front elevation view thereof; FIG. 4 is a right side view thereof; FIG. 5 is a left side view thereof; FIG. 6 is a top plan view thereof; FIG. 7 is a bottom plan view thereof; and, FIG. 8 is a bottom, rear perspective view thereof. The broken lines of uneven length illustrate the boundary of the claimed design and form no part thereof. The broken lines of even length shown in the drawings illustrate portions of the component of a drug delivery device that form no part of the claimed design.

(56) **References Cited**

U.S. PATENT DOCUMENTS

D480,007 S * 9/2003 Mungur D9/538
D496,101 S * 9/2004 Davison D24/112
D535,189 S * 1/2007 Pitman D9/452

1 Claim, 8 Drawing Sheets



(56)

References Cited

U.S. PATENT DOCUMENTS

D628,077	S	*	11/2010	Lee	D9/529
D662,827	S	*	7/2012	Watabe	D9/529
D675,526	S	*	2/2013	Obrist	D9/453
D732,162	S	*	6/2015	Fourt	D24/114
D797,929	S	*	9/2017	Davis	D24/130
D802,760	S	*	11/2017	Neby	D24/130
D853,240	S	*	7/2019	Steel	D9/500

FOREIGN PATENT DOCUMENTS

WO	2016193229	12/2016
WO	2016198516	12/2016
WO	2017032586	3/2017
WO	2018013419	1/2018
WO	2018160425	9/2018
WO	2019036576	2/2019
WO	2019040117	2/2019
WO	2019040118	2/2019
WO	2019040313	2/2019
WO	2019164955	8/2019

OTHER PUBLICATIONS

Design U.S. Appl. No. 29/661,620, filed Aug. 29, 2018 entitled "Drug Delivery Device" consisting of a 4-page Specification and 25 Pages of Figures.

Design U.S. Appl. No. 29/661,625 filed Aug. 29, 2018 entitled "Component for a Drug Delivery Device" consisting of a 3-page Specification and 5 Pages of Figures.

* cited by examiner

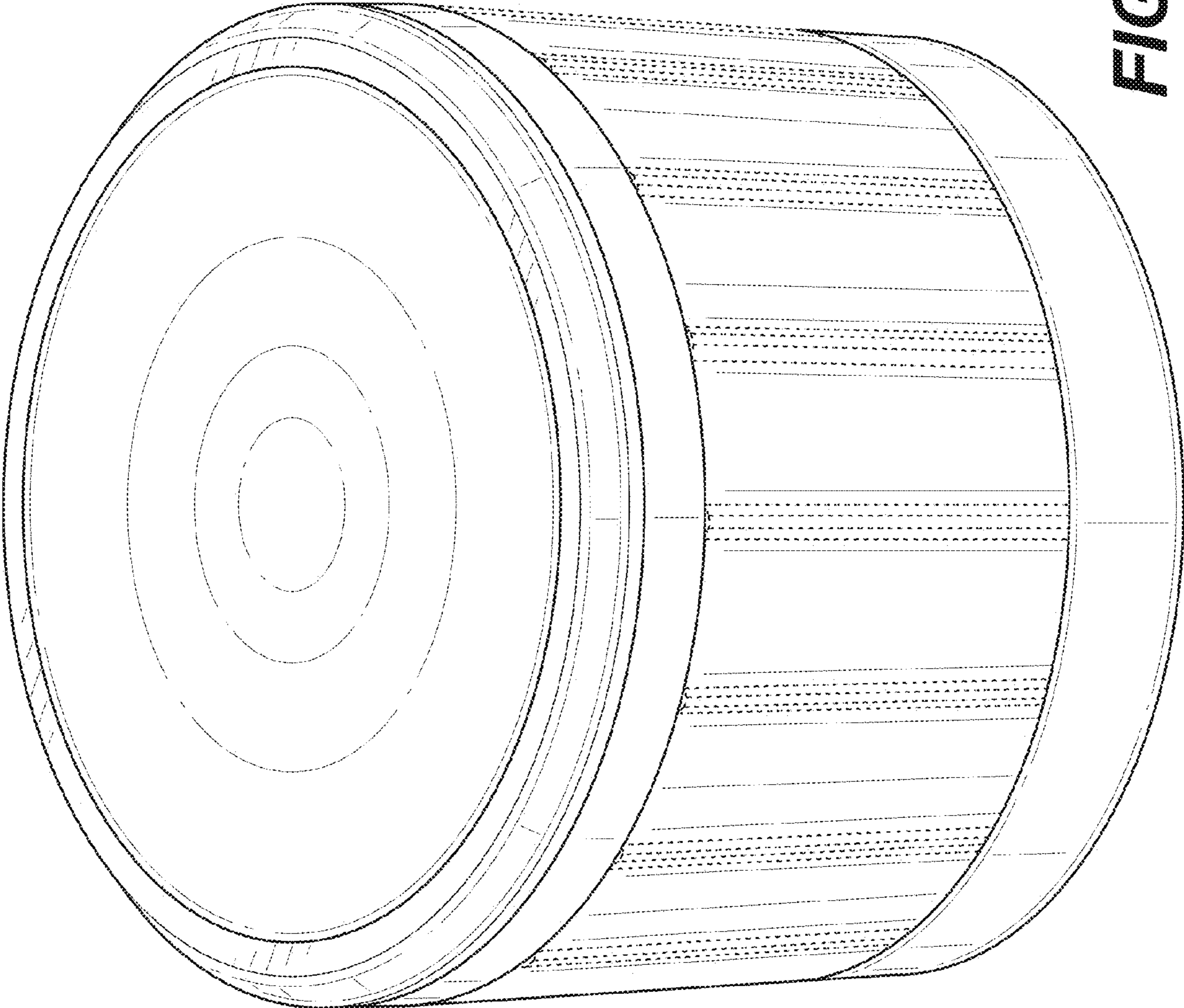


FIG. 1

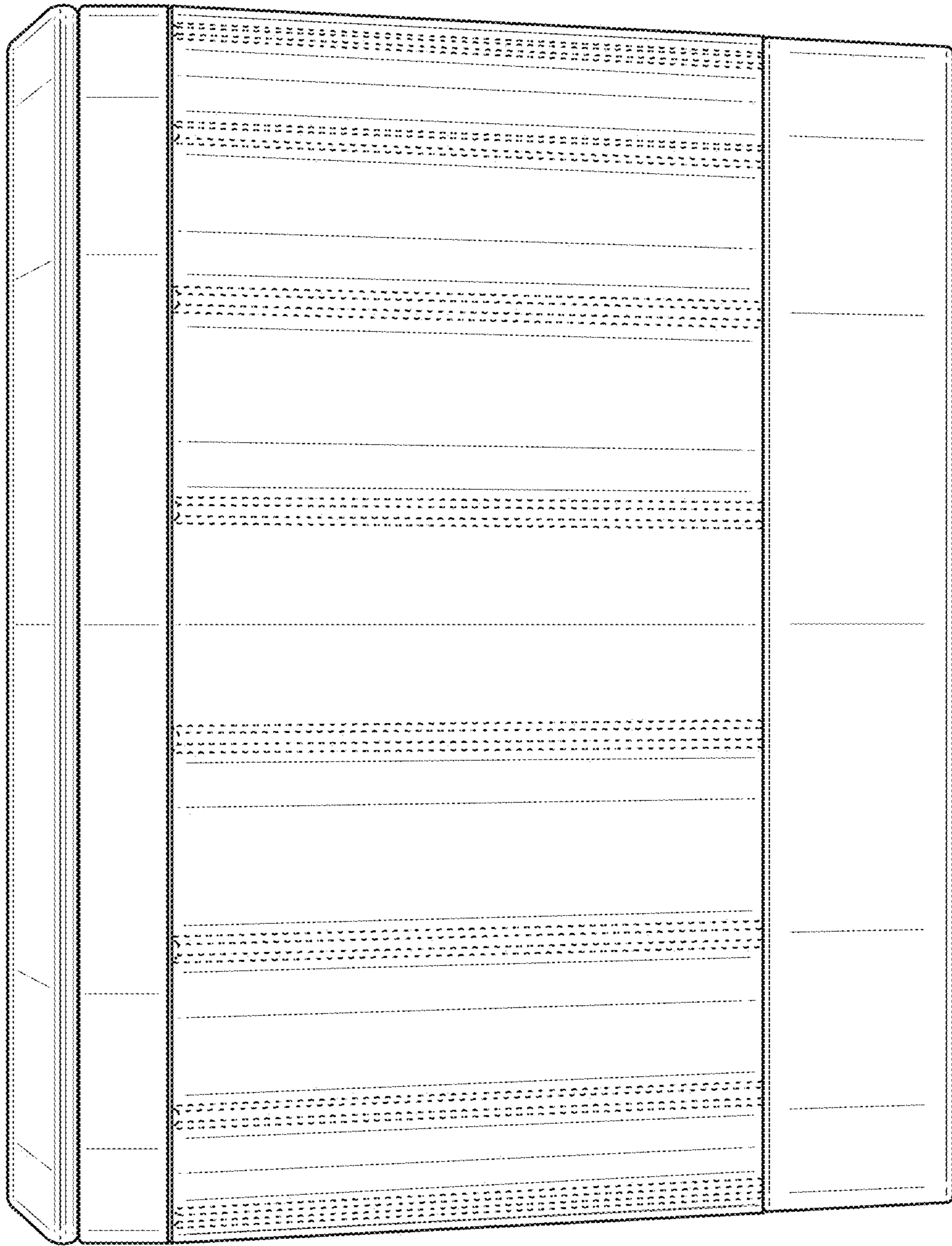


FIG. 2

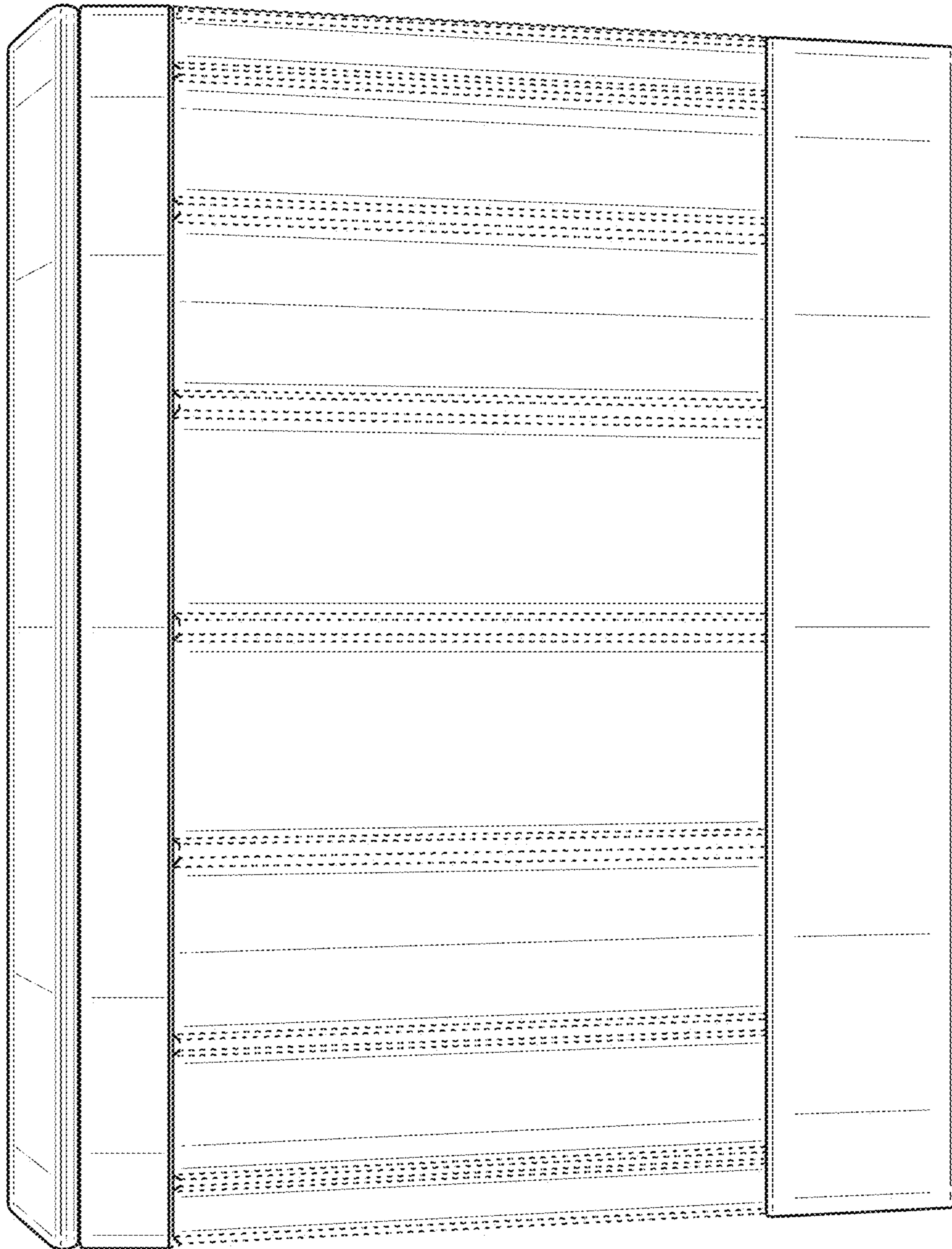


FIG. 3

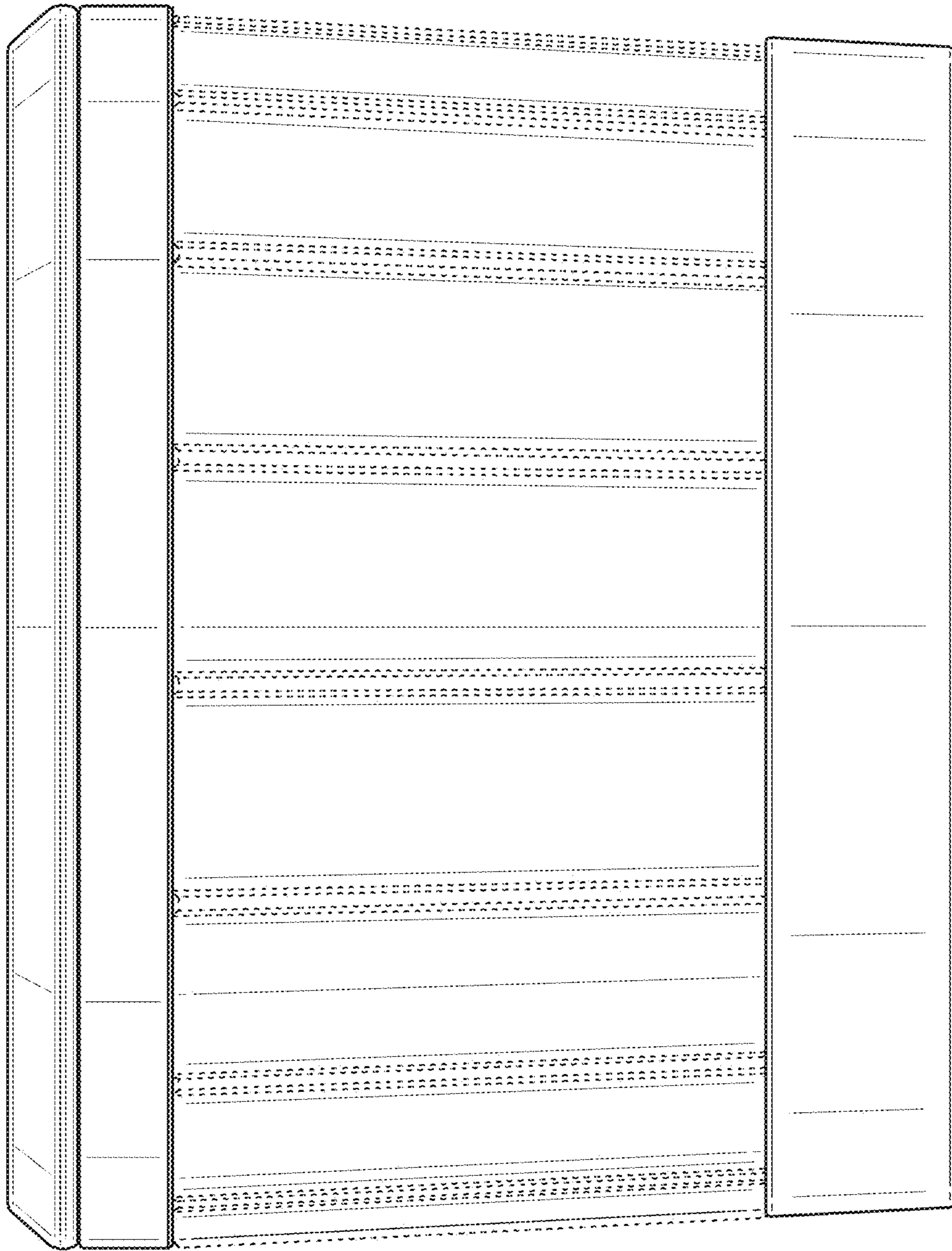


FIG. 4

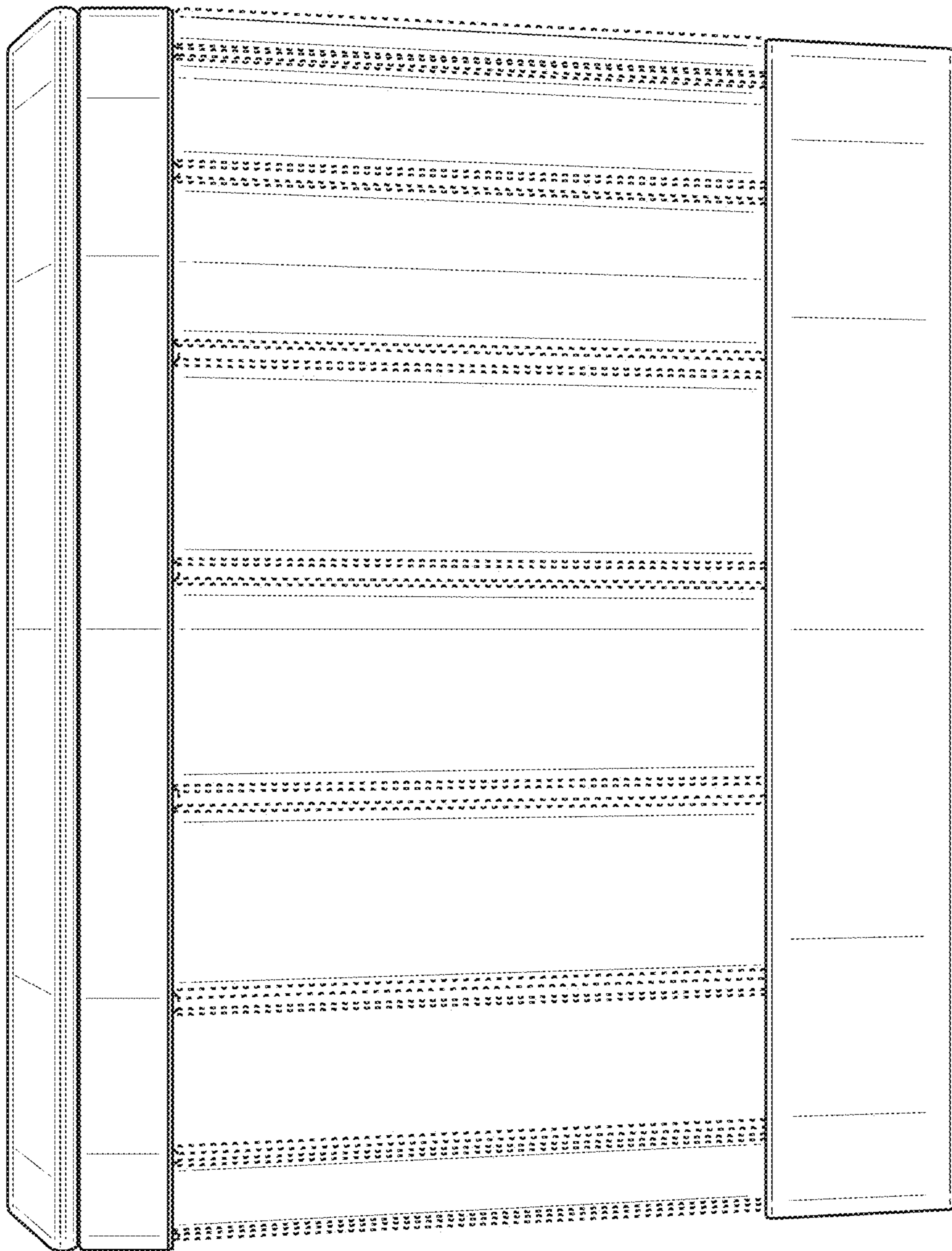


FIG. 5

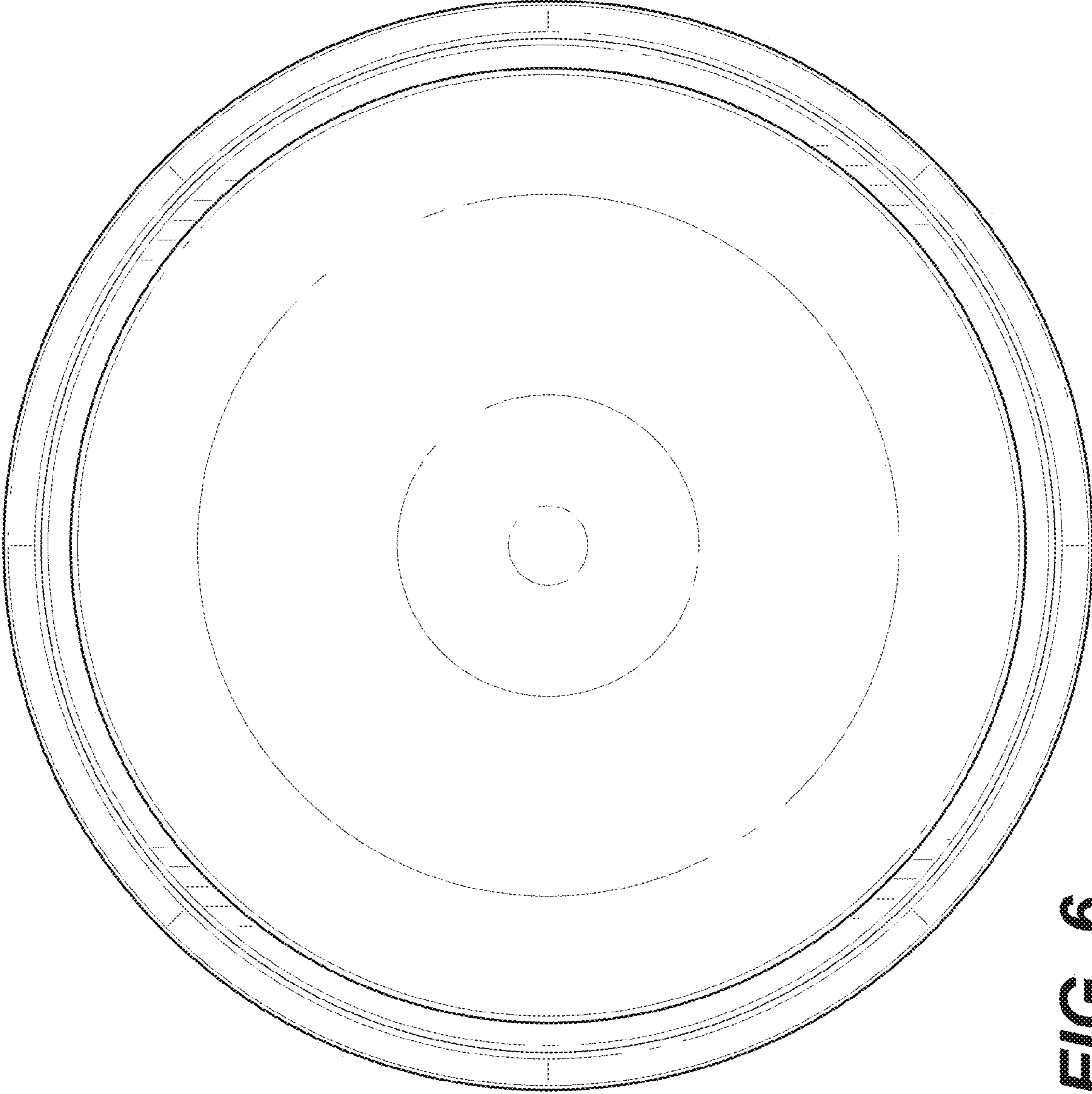


FIG. 6

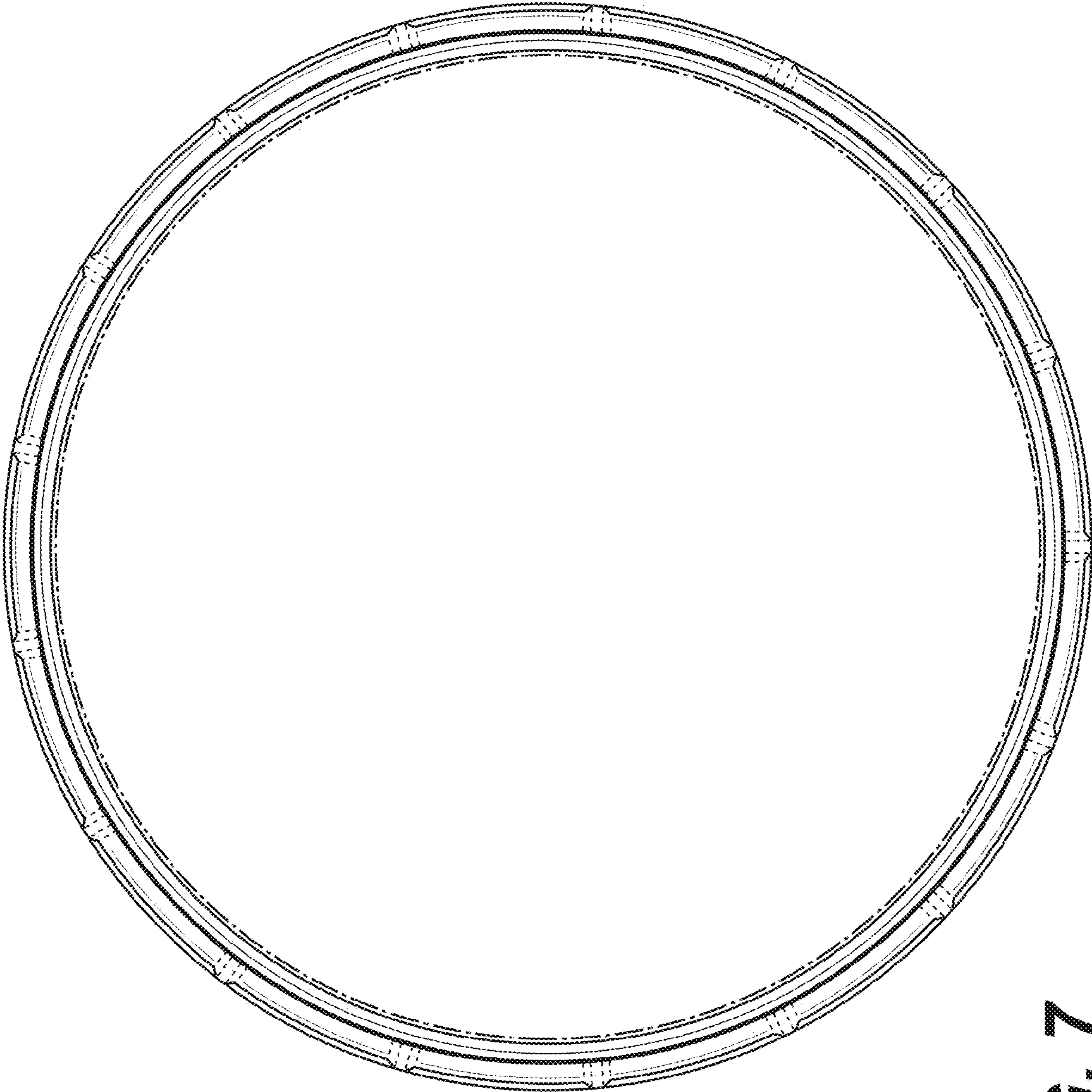


FIG. 7

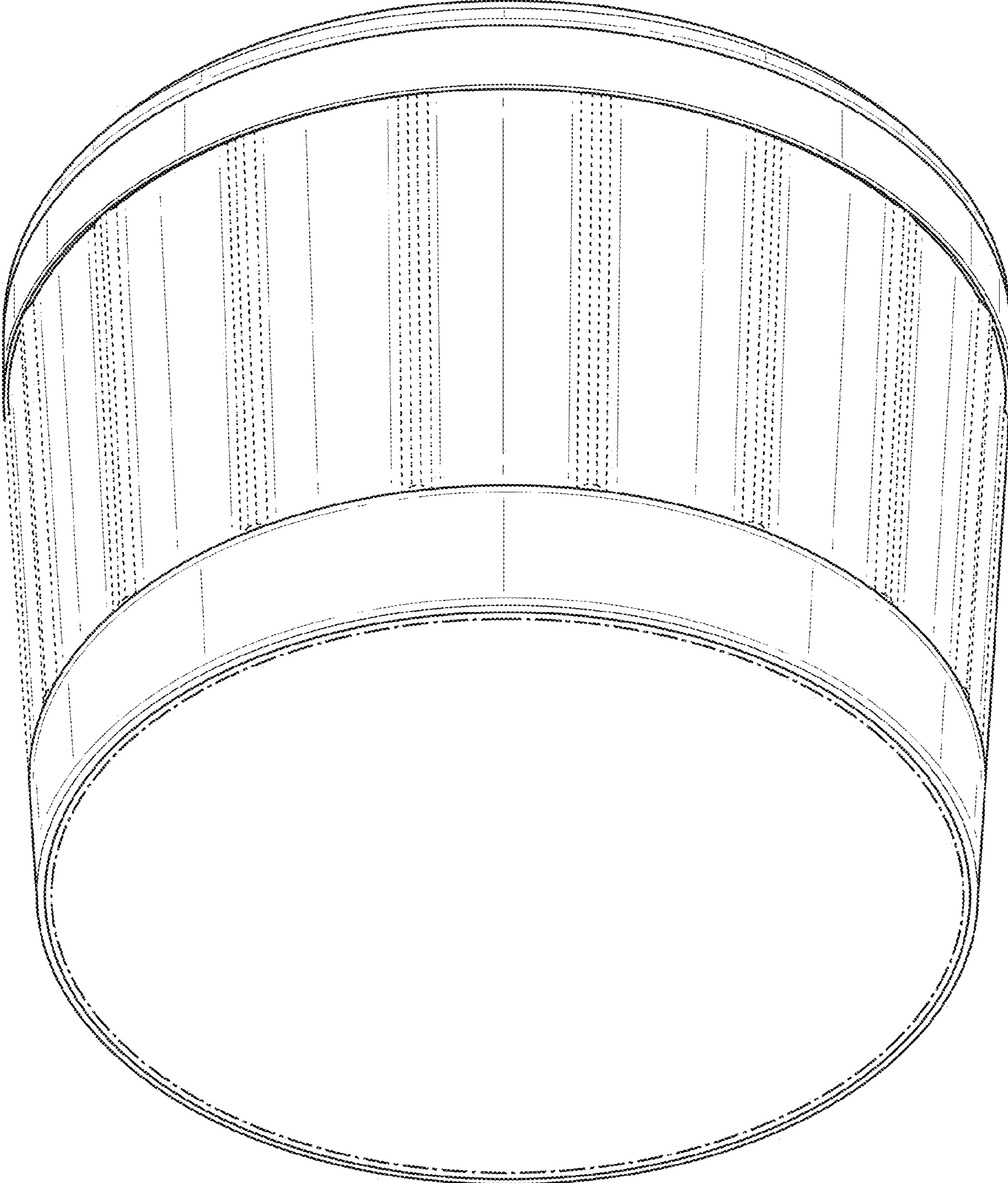


FIG. 8