



US00D924390S

(12) **United States Design Patent**
Kolenda et al.

(10) **Patent No.:** **US D924,390 S**

(45) **Date of Patent:** **** Jul. 6, 2021**

(54) **PUMP ASSEMBLY**

(71) Applicant: **VERILY LIFE SCIENCES LLC**,
Mountain View, CA (US)

(72) Inventors: **Milan Kolenda**, Kriens (CH); **Wilfried Schild**, Liebefeld (CH)

(73) Assignee: **VERILY LIFE SCIENCES LLC**,
South San Francisco, CA (US)

(**) Term: **15 Years**

(21) Appl. No.: **29/681,013**

(22) Filed: **Feb. 21, 2019**

(51) **LOC (13) Cl.** **24-02**

(52) **U.S. Cl.**
USPC **D24/111**; D24/113

(58) **Field of Classification Search**
USPC D24/107, 108, 110, 111, 127, 186, 113;
D15/7-9; D23/210, 225, 231, 232;
D13/103
CPC A61M 1/0066; A61M 1/0068; A61M 1/10;
A61M 1/101; A61M 5/00; A61M 5/14;
A61M 5/142; A61M 5/16089; B29C
73/00; F04B 53/00; E03B 5/00; B25B
21/02; B60S 5/04; B60S 5/046
See application file for complete search history.

(56) **References Cited**

U.S. PATENT DOCUMENTS

D247,436	S	*	3/1978	Willinger	D15/8
4,552,561	A	*	11/1985	Eckenhoff	A61M 5/14248 424/449
D306,449	S	*	3/1990	Shannon	D15/8
D339,356	S	*	9/1993	Tsai	D15/8
D371,424	S	*	7/1996	Tigert	D23/210
D426,243	S	*	6/2000	Wang	D15/8
D470,865	S	*	2/2003	Wang	D15/9
D471,209	S	*	3/2003	Wang	D15/9
D480,093	S	*	9/2003	Attolini	D15/9

D578,551	S	*	10/2008	Bonzer	D15/9
D589,533	S	*	3/2009	Anderson	D15/8
D598,472	S	*	8/2009	Anderson	D15/7
D600,341	S	*	9/2009	Loerwald	D24/108
D605,666	S	*	12/2009	Moser	D15/9
D612,484	S	*	3/2010	Yodfat	D24/111
D617,344	S	*	6/2010	Wang	D15/8
D635,587	S	*	4/2011	Schleef	D15/7
D657,801	S	*	4/2012	Eckhardt	D15/9
D658,208	S	*	4/2012	Moser, III	D15/9
D662,950	S	*	7/2012	Lu	D15/9
D687,074	S	*	7/2013	Barack	D15/7

(Continued)

OTHER PUBLICATIONS

Sensile, Patch Pump—Large Volume Injector, (site visited Aug. 25, 2020), Sensile-medical.com, URL:<<https://www.sensile-medical.com/solutions.html>> (Year: 2020).*

Primary Examiner — Sheryl Lane
Assistant Examiner — Mark T. Philipps
(74) *Attorney, Agent, or Firm* — Haynes and Boone, LLP

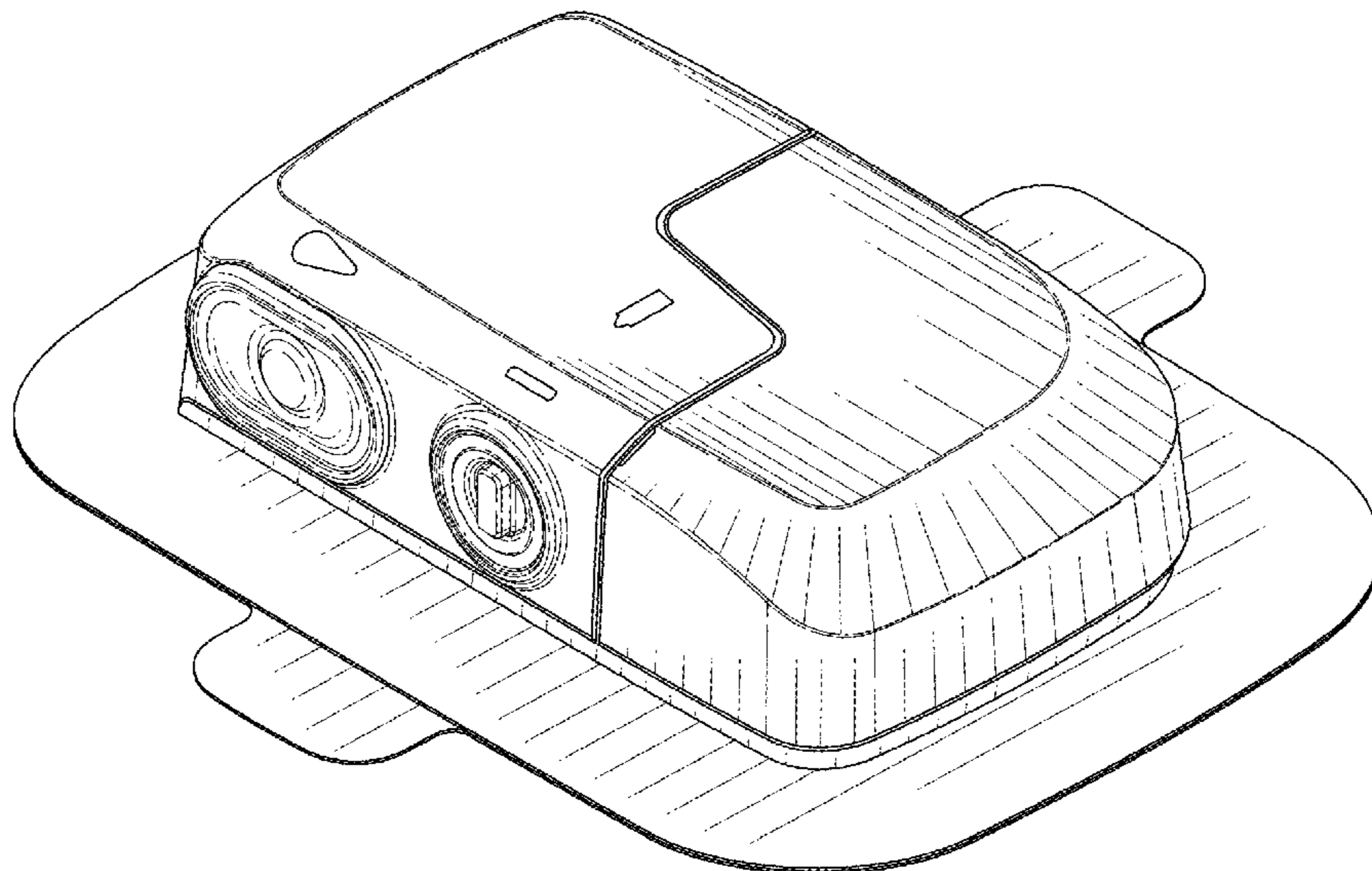
(57) **CLAIM**

The ornamental design for a pump assembly, as shown and described.

DESCRIPTION

FIG. 1 is a front perspective view of a pump assembly showing our new design;
FIG. 2 is a front view of the pump assembly;
FIG. 3 is a rear view of the pump assembly;
FIG. 4 is a right side view of the pump assembly;
FIG. 5 is a left side view of the pump assembly;
FIG. 6 is a top view of the pump assembly;
FIG. 7 is a bottom view of the pump assembly; and,
FIG. 8 is a rear perspective view of the pump assembly.
The broken lines depict portions of the pump assembly and form no part of the claimed design.

1 Claim, 6 Drawing Sheets



(56)

References Cited

U.S. PATENT DOCUMENTS

D696,393	S *	12/2013	Lu	D24/110
D745,137	S *	12/2015	Pipe	D24/108
D768,288	S *	10/2016	O'Connor	D24/111
D776,253	S *	1/2017	Li	D24/108
D792,473	S *	7/2017	Imsand	D15/7
D794,770	S *	8/2017	Wu	D24/108
D797,275	S *	9/2017	Evans	D24/108
D812,760	S *	3/2018	Herman	D24/186
D814,262	S *	4/2018	Khubani	D8/68
D830,417	S *	10/2018	Sekula	D15/7
D833,385	S *	11/2018	Inskeep	D13/107
D838,747	S *	1/2019	Gan	D15/7
D839,924	S *	2/2019	Tuang	D15/9
D842,996	S *	3/2019	Frick	D24/169
D856,506	S *	8/2019	Wu	D24/108
D879,155	S *	3/2020	Liu	D15/7
D886,986	S *	6/2020	Clemente	D24/111
D890,914	S *	7/2020	Ghodsí	D24/108
2015/0337825	A1 *	11/2015	Chou	F04B 39/14 417/415
2017/0136178	A1 *	5/2017	Kamen	A61M 5/14244

* cited by examiner

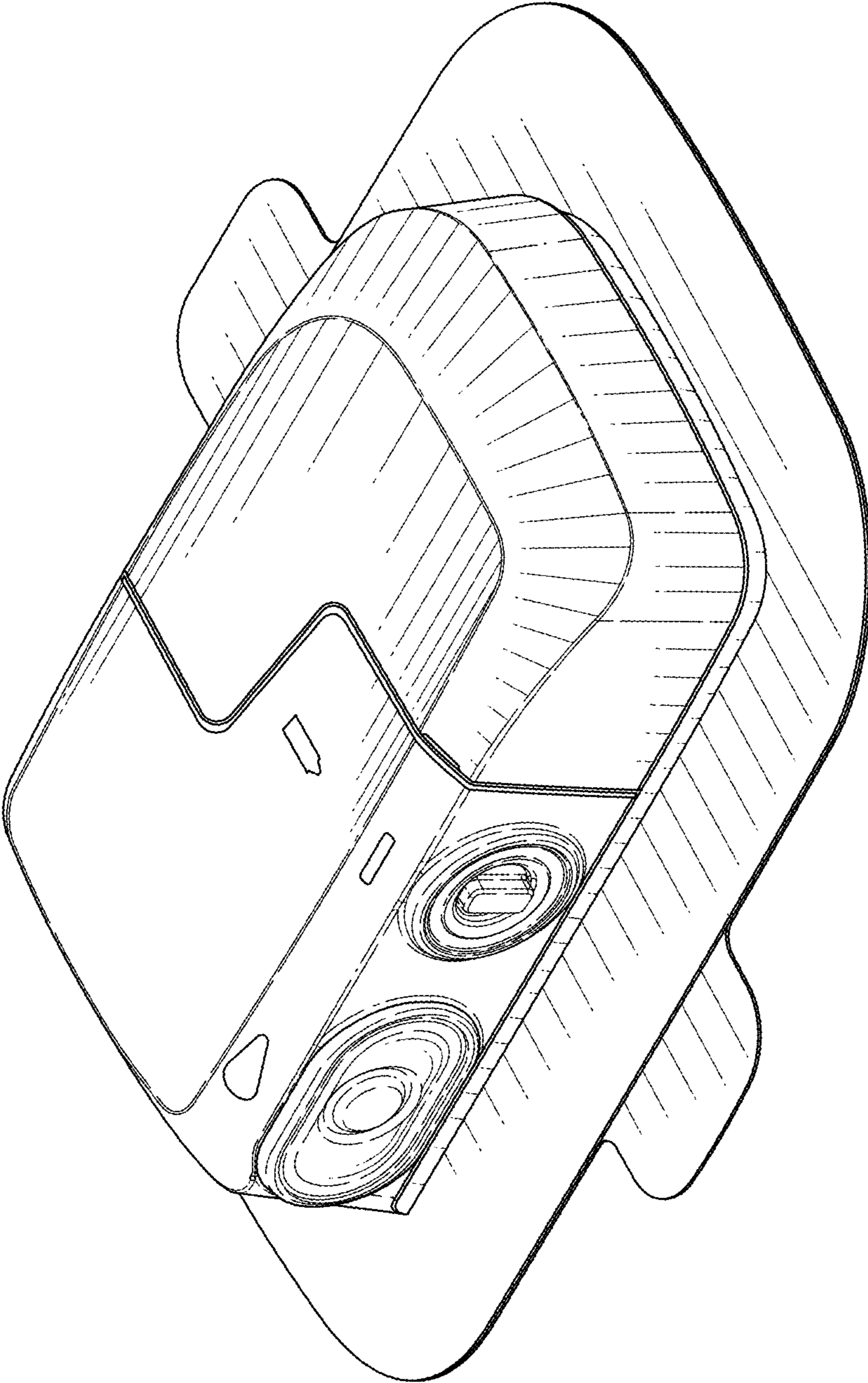


FIG. 1

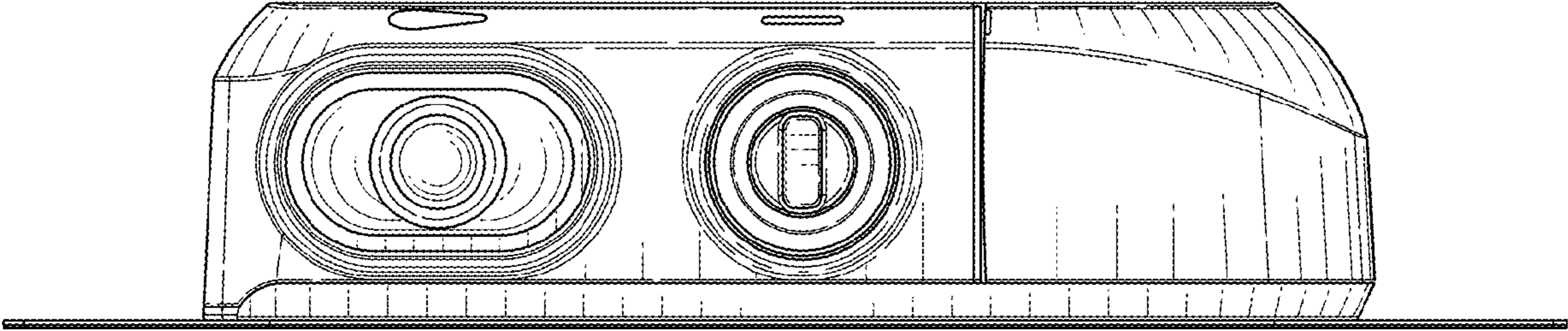


FIG. 2

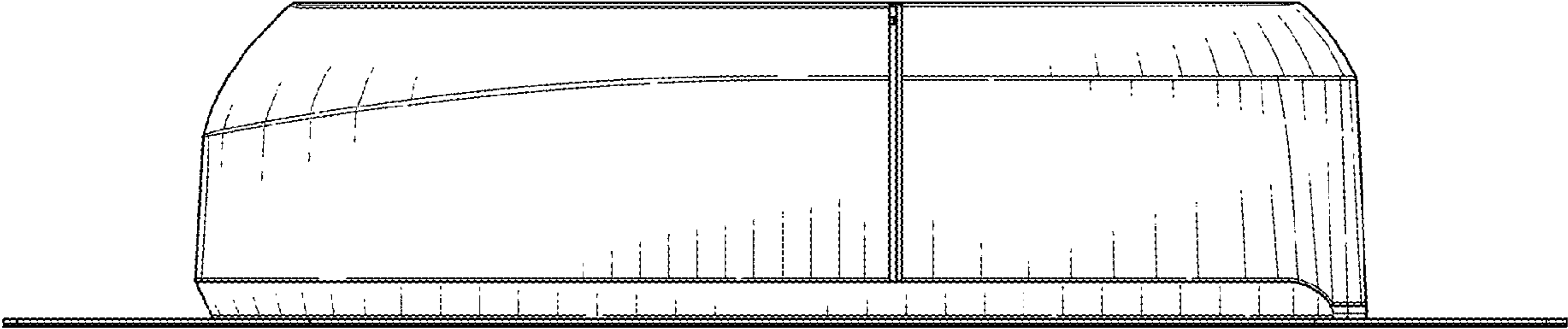


FIG. 3

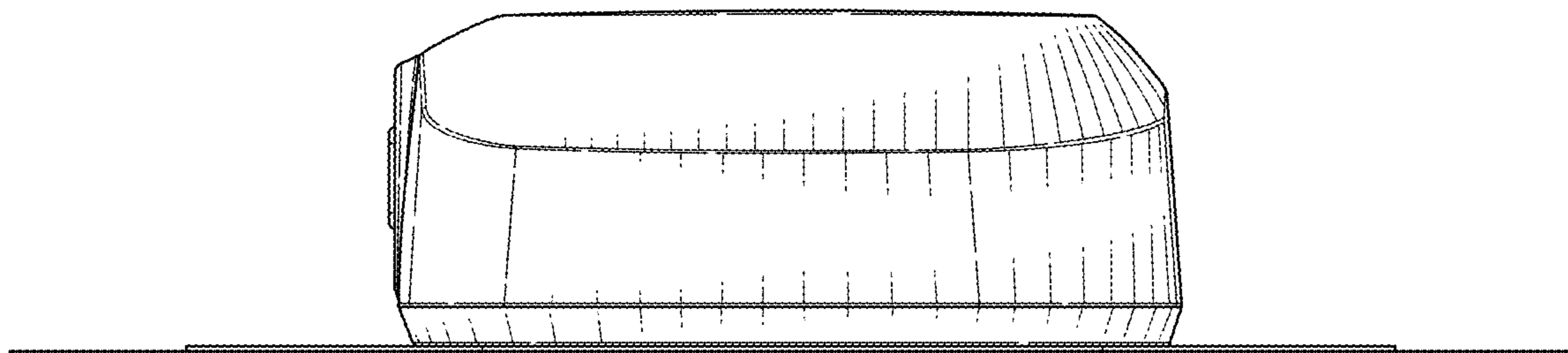


FIG. 4

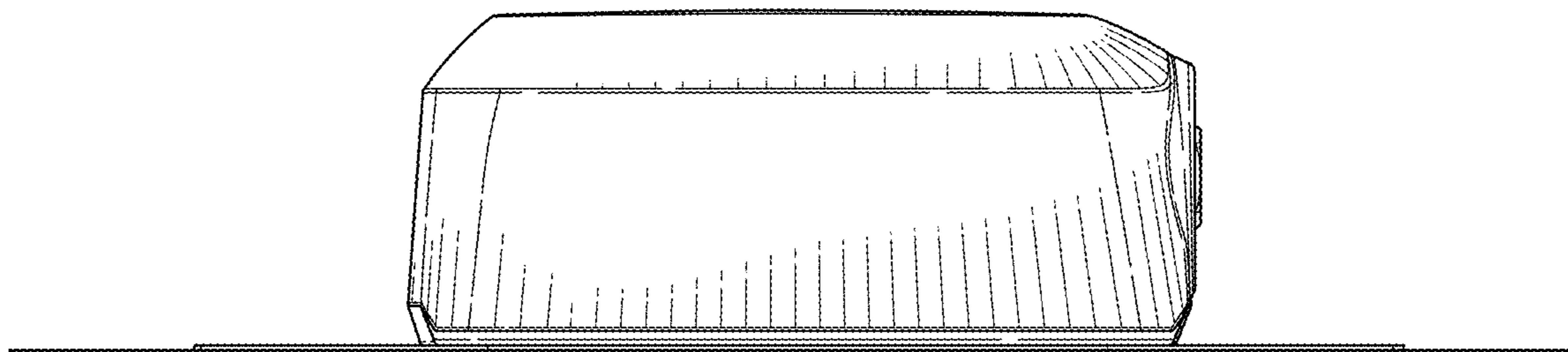


FIG. 5

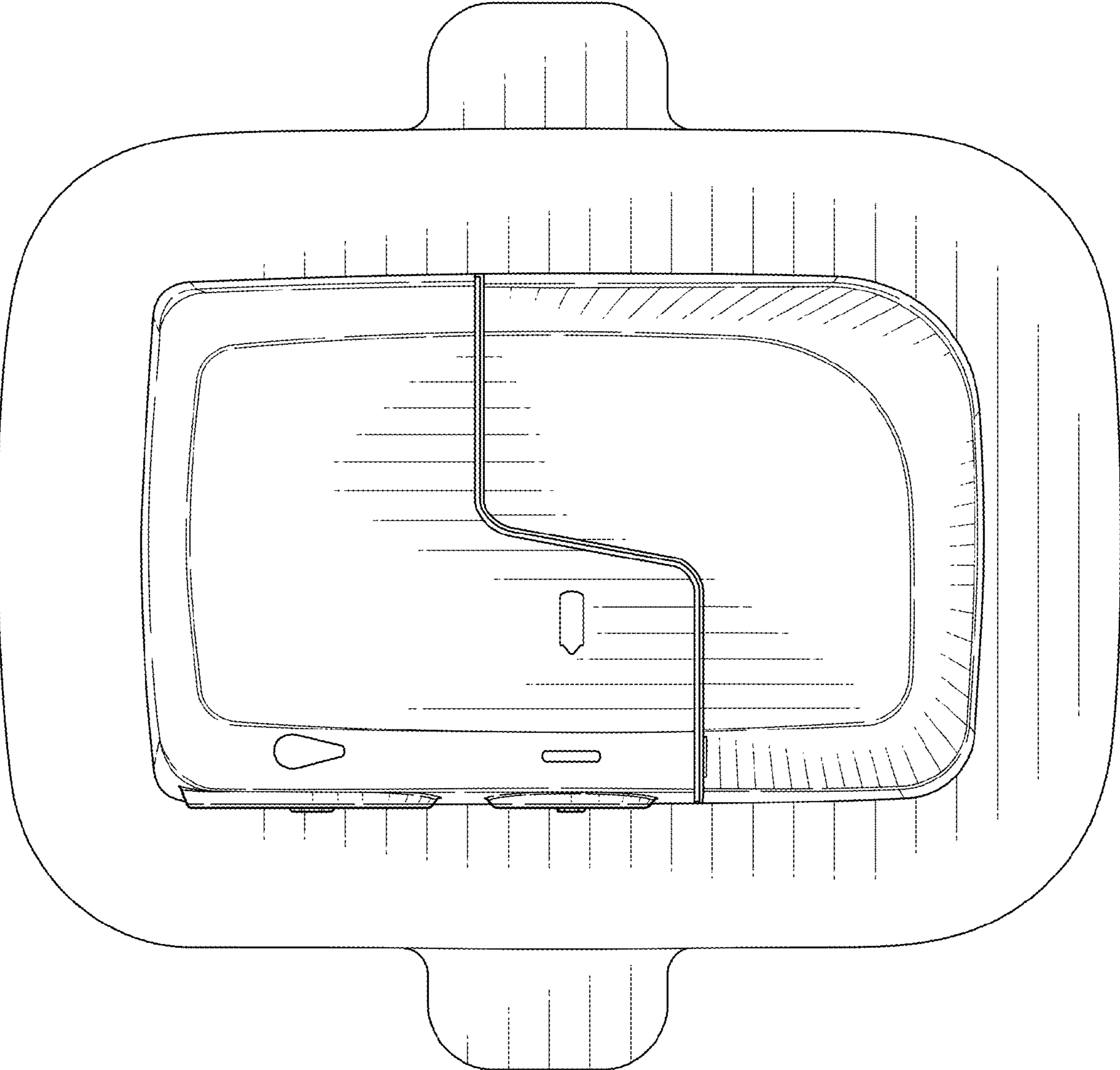


FIG. 6

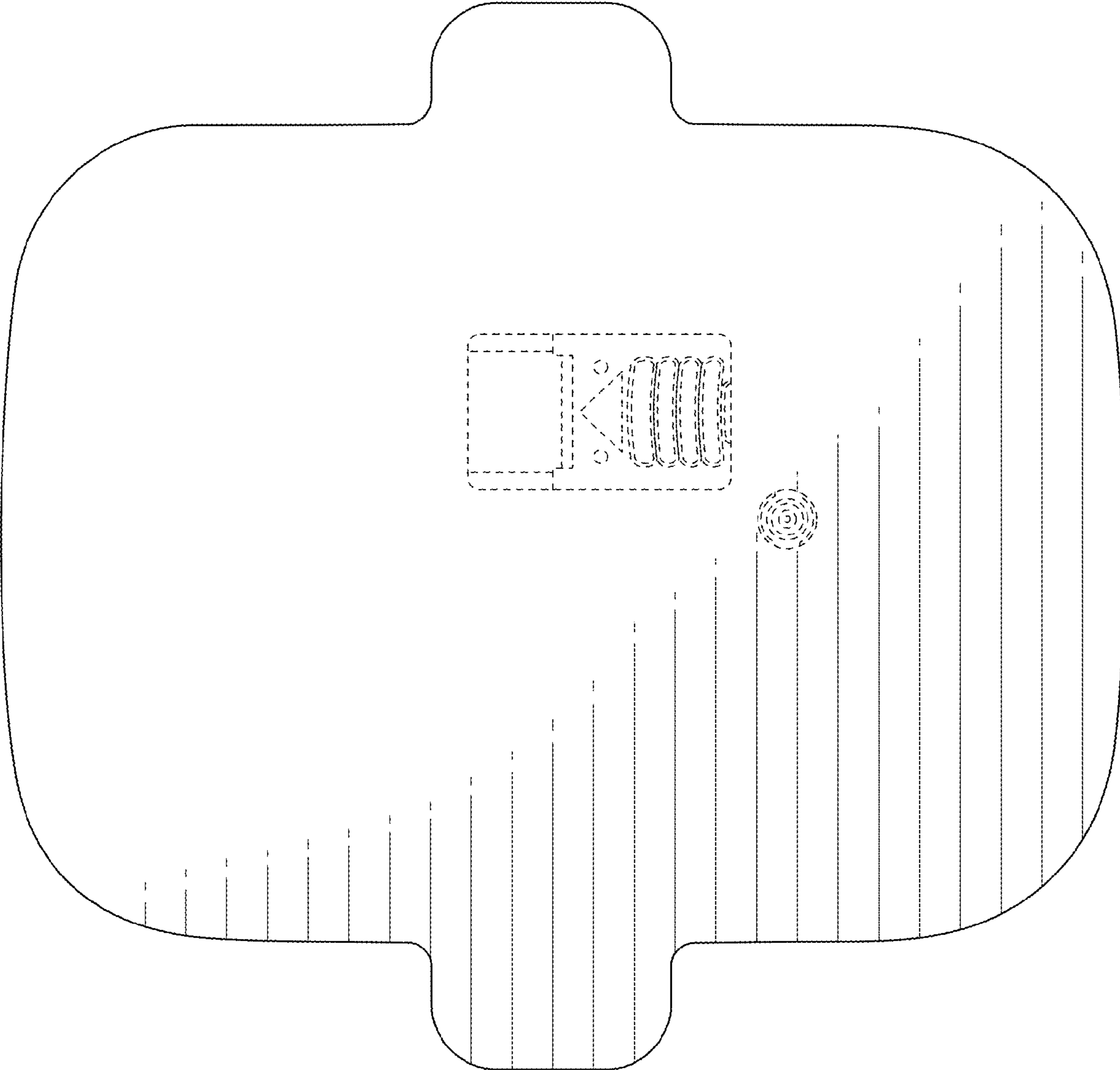


FIG. 7

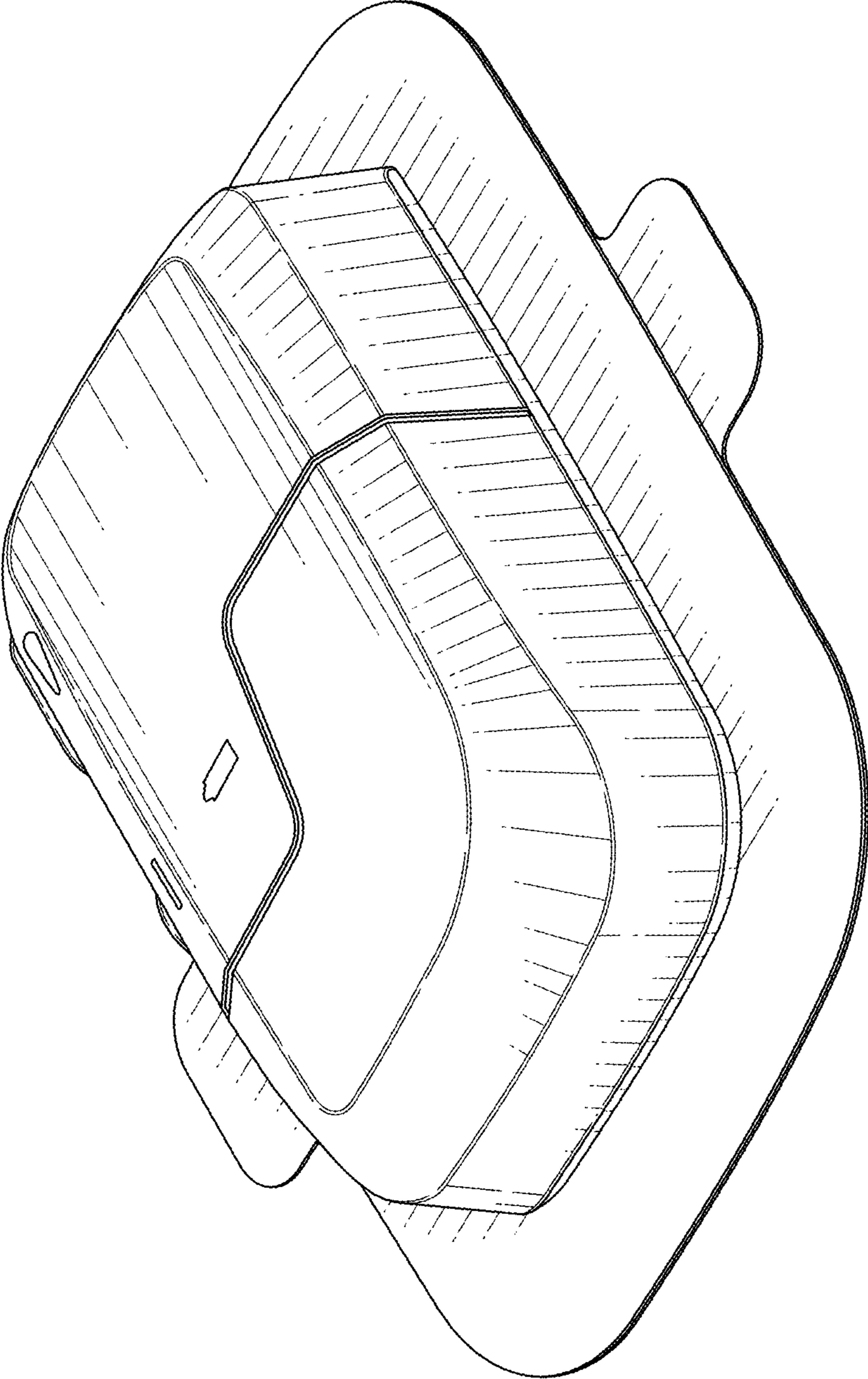


FIG. 8