



US00D924389S

(12) **United States Design Patent** (10) **Patent No.:** **US D924,389 S**  
**Yoskowitz** (45) **Date of Patent:** **\*\* Jul. 6, 2021**

(54) **MOUTHPIECE**

FOREIGN PATENT DOCUMENTS

(71) Applicant: **CHEMOMOUTHPIECE, LLC,**  
Closter, NJ (US)

CN 203089443 U 7/2013  
EP 004558393-0001 S 1/2018

(Continued)

(72) Inventor: **David Yoskowitz,** Woodcliff Lake, NJ  
(US)

OTHER PUBLICATIONS

(73) Assignee: **CHEMOMOUTHPIECE, LLC,**  
Closter, NJ (US)

Allied Healthcare B & F Nebulizer Mouthpiece Model 61400, By Allied Healthcare, [\(\\*\\*\) Term: \*\*15 Years\*\*](https://www.vitalitymedical.com/allied-healthcare-b-f-nebulizer-mouthpiece-model-61400.html?feed_special=bing&utm_source=bing&utm_medium=cpc&utm_campaign=**LP%20-%20Shop%20-%20Respiratory%20Therapy%20-%20(%3C%2430), 2020. (Year: 2020).*</a></p></div>
<div data-bbox=)

(Continued)

(21) Appl. No.: **29/661,489**

(22) Filed: **Aug. 28, 2018**

(51) **LOC (13) Cl.** ..... **24-04**

*Primary Examiner* — Elizabeth J Oswecki

(52) **U.S. Cl.**

(74) *Attorney, Agent, or Firm* — Abelman, Frayne & Schwab

USPC ..... **D24/110.5;** D29/108

(58) **Field of Classification Search**

USPC ..... D29/100, 105, 106, 108, 122; D24/108,  
D24/109, 110, 110.5, 156, 176, 181,  
D24/206–208, 180, 183

CPC . A61F 5/566; A61F 5/58; A63B 71/08; A63B  
71/081; A63B 71/085; A63B 2071/085;  
A63B 2071/088; A61C 7/10; A61C  
13/08; A61C 13/081; A61C 13/083; A61C  
13/087; A61C 19/066; A61C 5/14; A61B  
13/00; A61B 13/24

See application file for complete search history.

(57) **CLAIM**

The ornamental design for a mouthpiece, as shown and described.

**DESCRIPTION**

FIG. 1 is a top, front, and left side perspective view of a mouthpiece showing my new design; FIG. 2 is a front elevational view thereof; FIG. 3 is a rear elevational view thereof; FIG. 4 is a left side elevational view thereof; FIG. 5 is a right side elevational view thereof; FIG. 6 is a top view thereof; and, FIG. 7 is a bottom view thereof.

The diagonal short curved lines shown in sets of five represent transparent shading on the exterior surface of the mouthpiece. The uneven-length broken lines shown in the figures represent contour shade lines along the outer transparent shell of the mouthpiece.

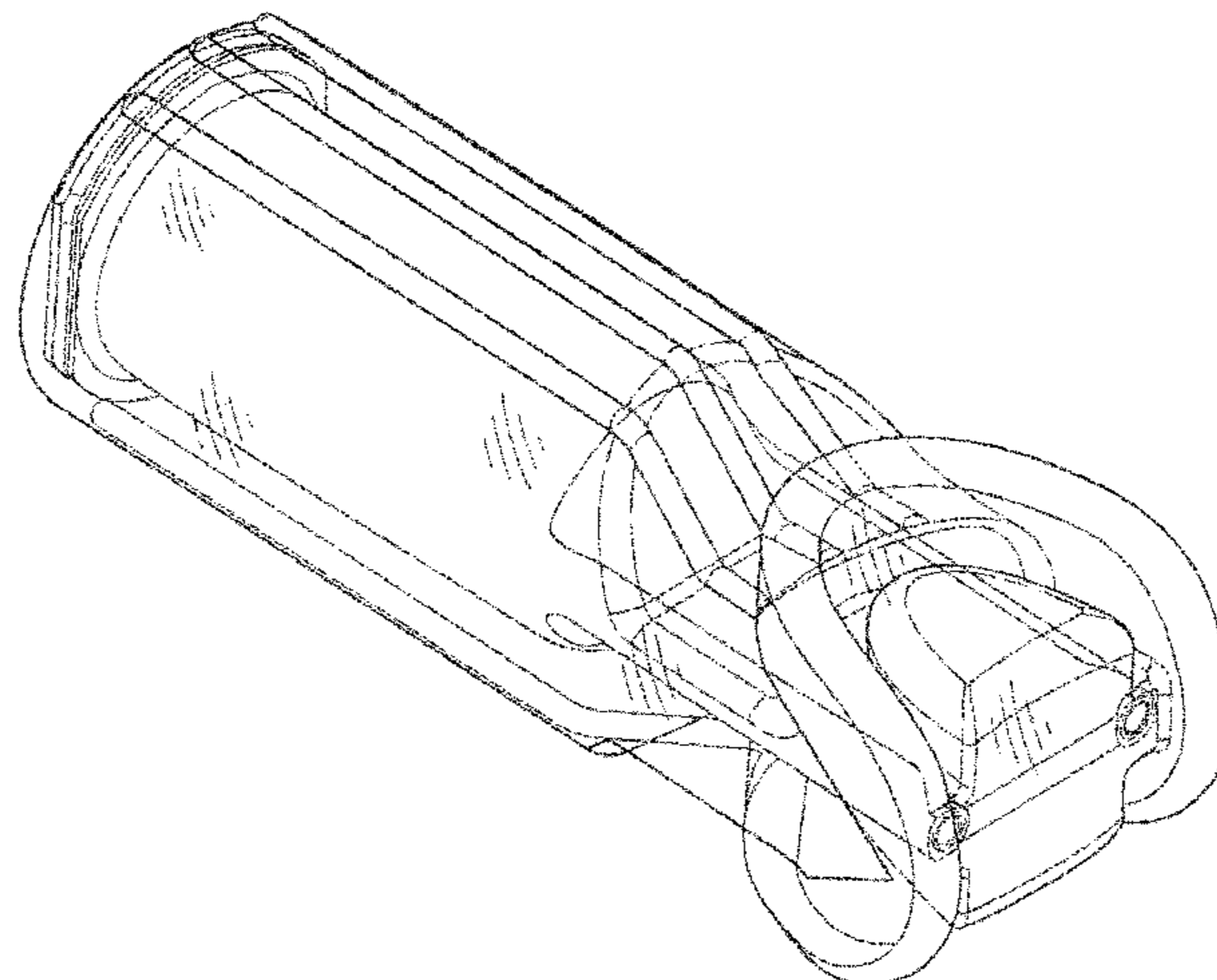
(56) **References Cited**

U.S. PATENT DOCUMENTS

1,930,504 A \* 10/1933 Benjafield ..... G10K 5/00  
446/204  
D141,458 S \* 6/1945 Rabbes ..... D24/110  
4,601,465 A \* 7/1986 Roy ..... A63B 23/18  
128/207.16  
4,983,122 A 1/1991 Mitnick  
5,494,441 A 2/1996 Nicholson  
5,819,744 A 10/1998 Stoyka, Jr.  
6,217,606 B1 4/2001 Portnoy et al.  
6,500,095 B1 \* 12/2002 Hougen ..... A63B 23/18  
482/111

(Continued)

**1 Claim, 4 Drawing Sheets**



(56)

**References Cited**

U.S. PATENT DOCUMENTS

6,660,029 B2 12/2003 VanSkiver et al.  
 D502,787 S \* 3/2005 Liu ..... D29/108  
 7,044,929 B2 5/2006 VanSkiver et al.  
 7,527,642 B2 5/2009 VanSkiver et al.  
 D593,714 S \* 6/2009 Hirshberg ..... D29/108  
 D594,969 S \* 6/2009 Marquis ..... D24/110  
 D603,101 S \* 10/2009 Hirshberg ..... D29/108  
 D636,074 S \* 4/2011 Levine ..... D24/110.5  
 D649,252 S \* 11/2011 Spainhower ..... D24/181  
 D692,140 S \* 10/2013 Alvino ..... D24/164  
 D840,529 S \* 2/2019 Steinberg ..... D24/110  
 D841,257 S \* 2/2019 Turkbash ..... D29/108  
 D851,748 S \* 6/2019 Kinsey ..... D24/110  
 D854,753 S \* 7/2019 Turkbash ..... D29/108  
 D857,301 S \* 8/2019 Turkbash ..... D29/108  
 D875,237 S \* 2/2020 Ghazzawi ..... D24/110  
 2003/0055474 A1 3/2003 VanSkiver et al.  
 2004/0106970 A1 6/2004 VanSkiver et al.

2004/0234456 A1 11/2004 Slaughter  
 2009/0216303 A1 8/2009 VanSkiver et al.  
 2013/0085530 A1 4/2013 Caputo  
 2016/0346603 A1\* 12/2016 Halliday ..... A61M 16/208  
 2017/0020716 A1\* 1/2017 Hart ..... A63B 71/085  
 2019/0299055 A1\* 10/2019 Poulsen ..... A63B 21/00069

FOREIGN PATENT DOCUMENTS

EP 004558393-0002 S 1/2018  
 JP H114839 1/1999  
 WO 2016/023920 2/2016

OTHER PUBLICATIONS

Walladbegi et al., "New Cooling Device for Oral Mucosa Better Tolerated and Equally Effective As Ice Cooling", Blood Journal, 2016; retrieved from the Internet at URL: <http://www.bloodjournal.org/content/128/22/5806?sso-checked=true>.

\* cited by examiner

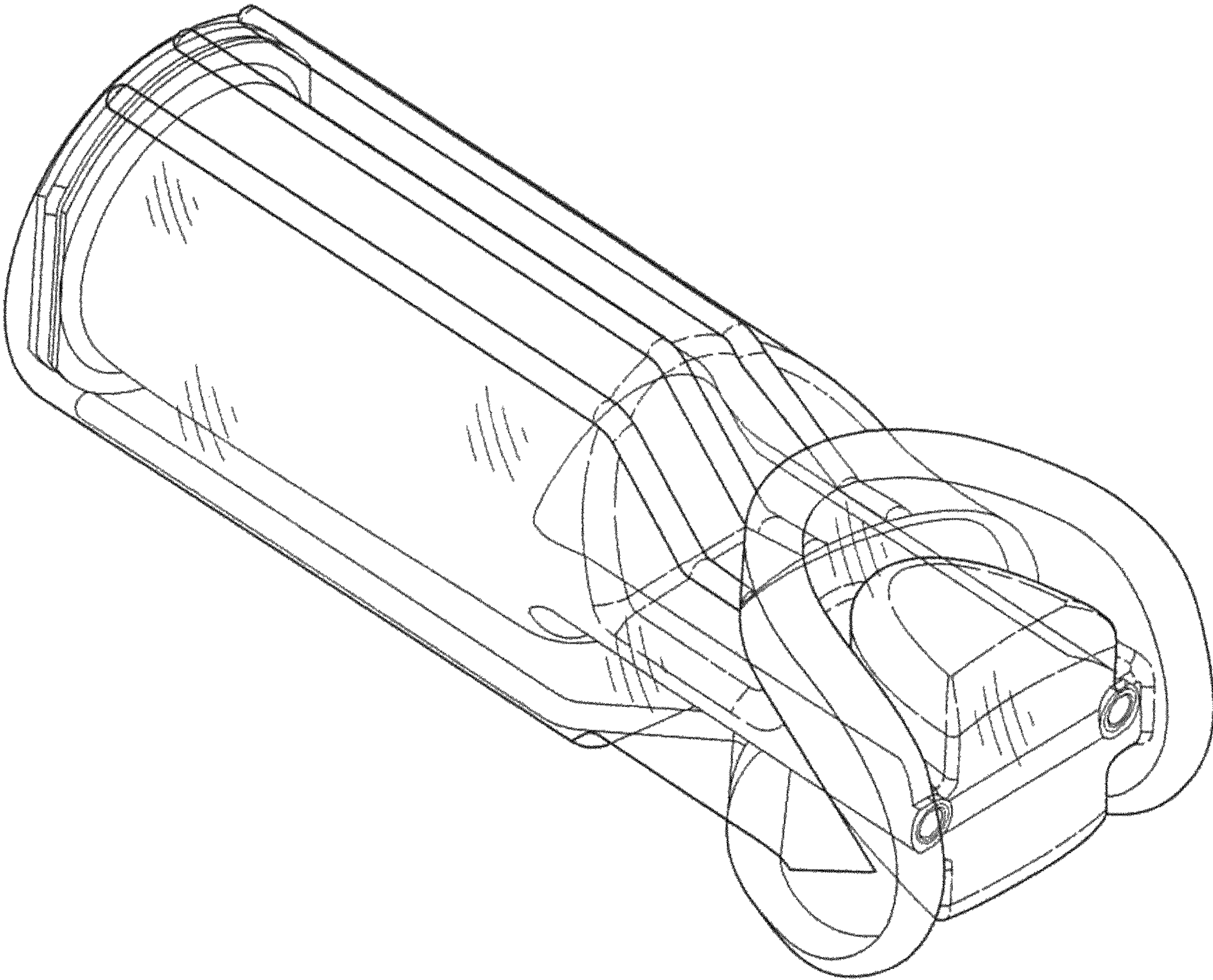


FIG. 1

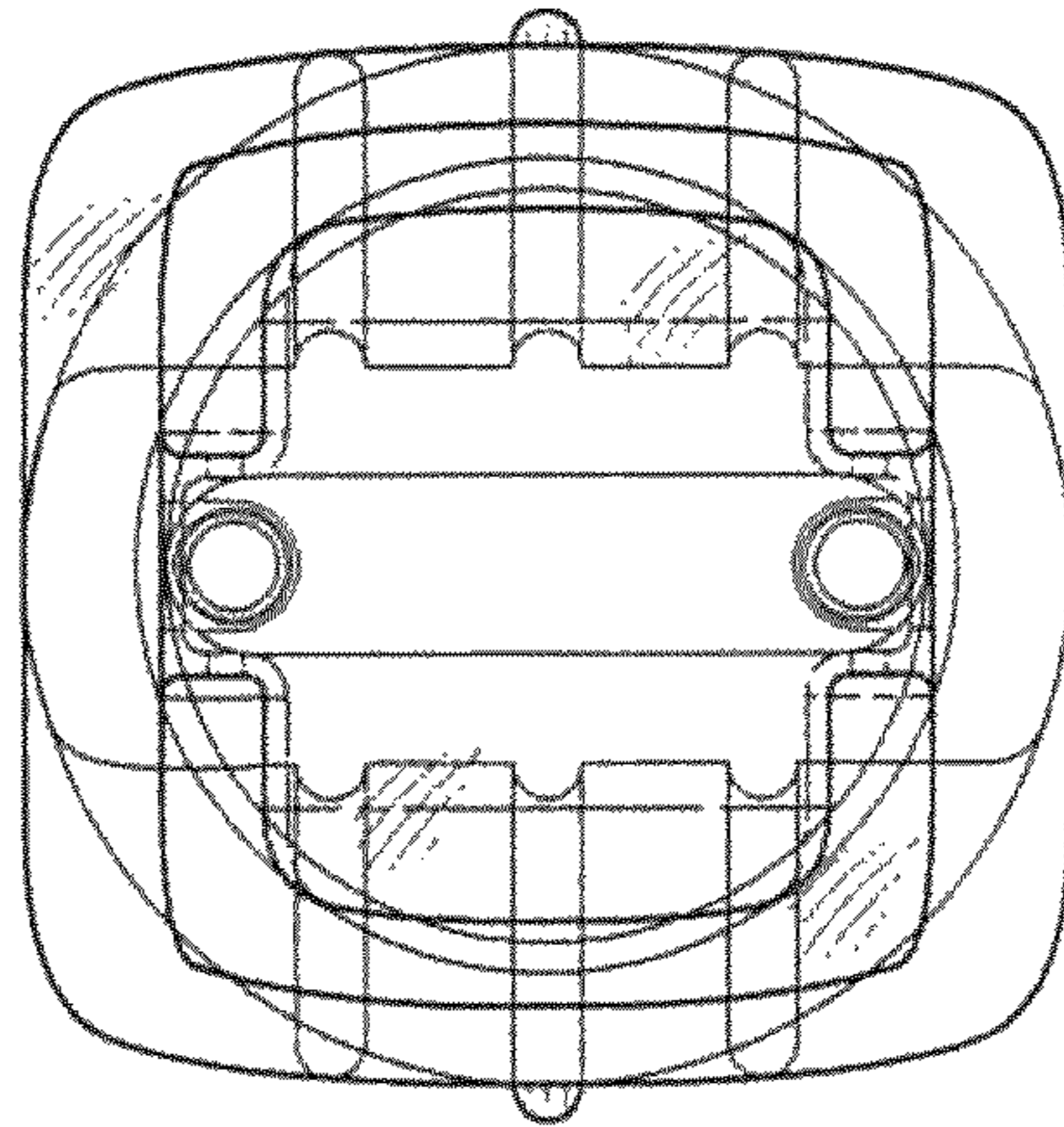


FIG. 2

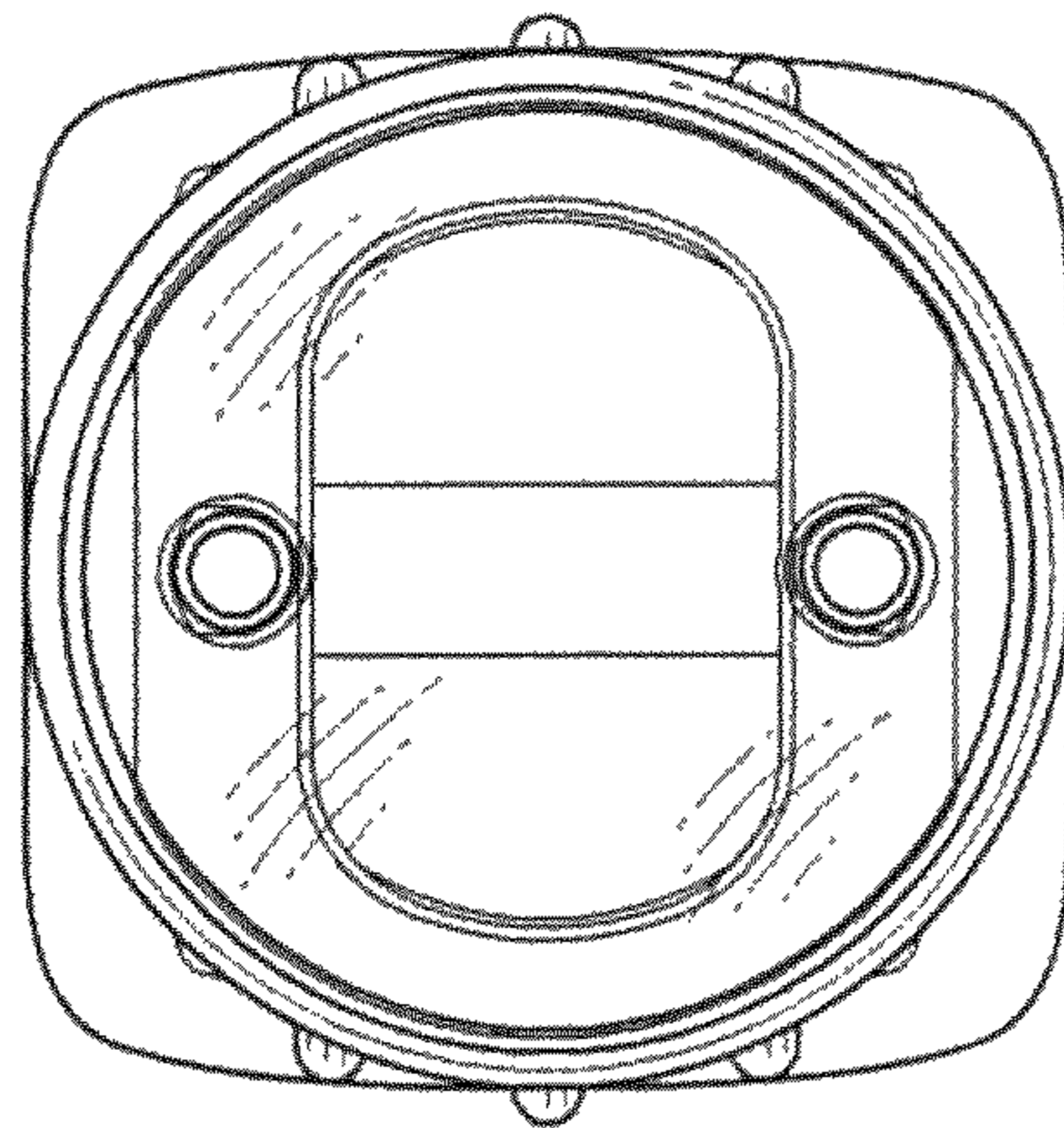


FIG. 3

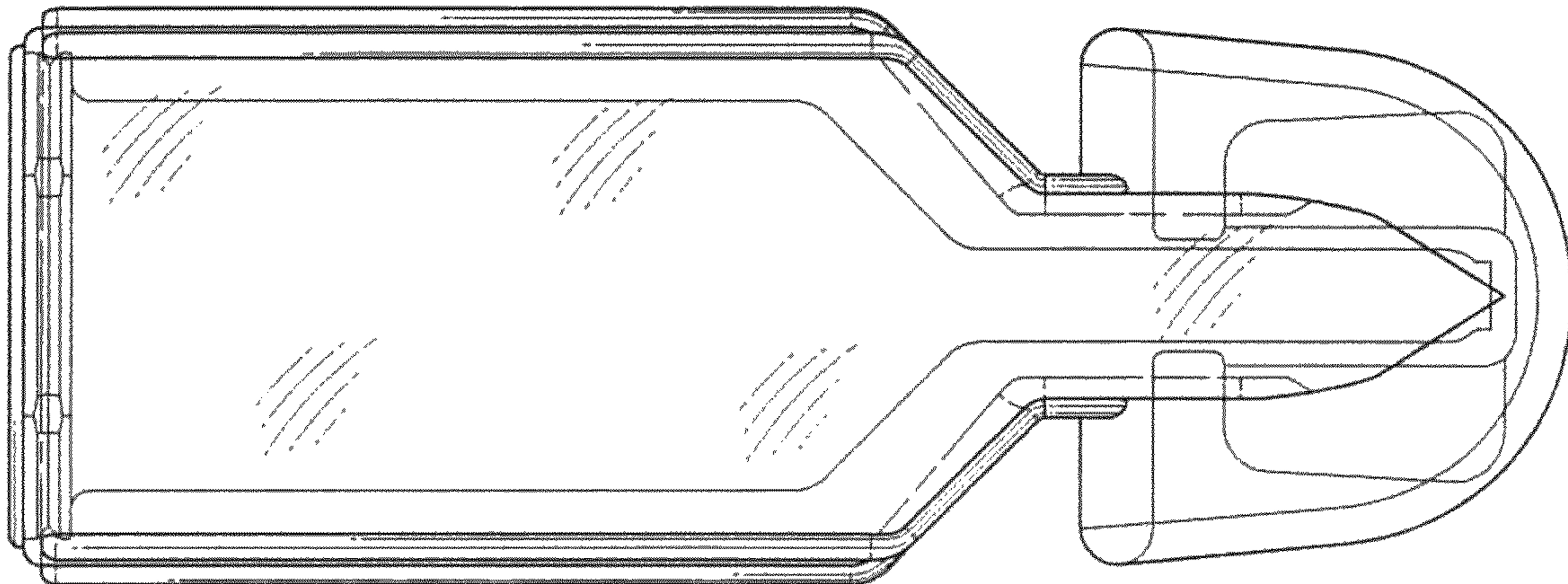


FIG. 4

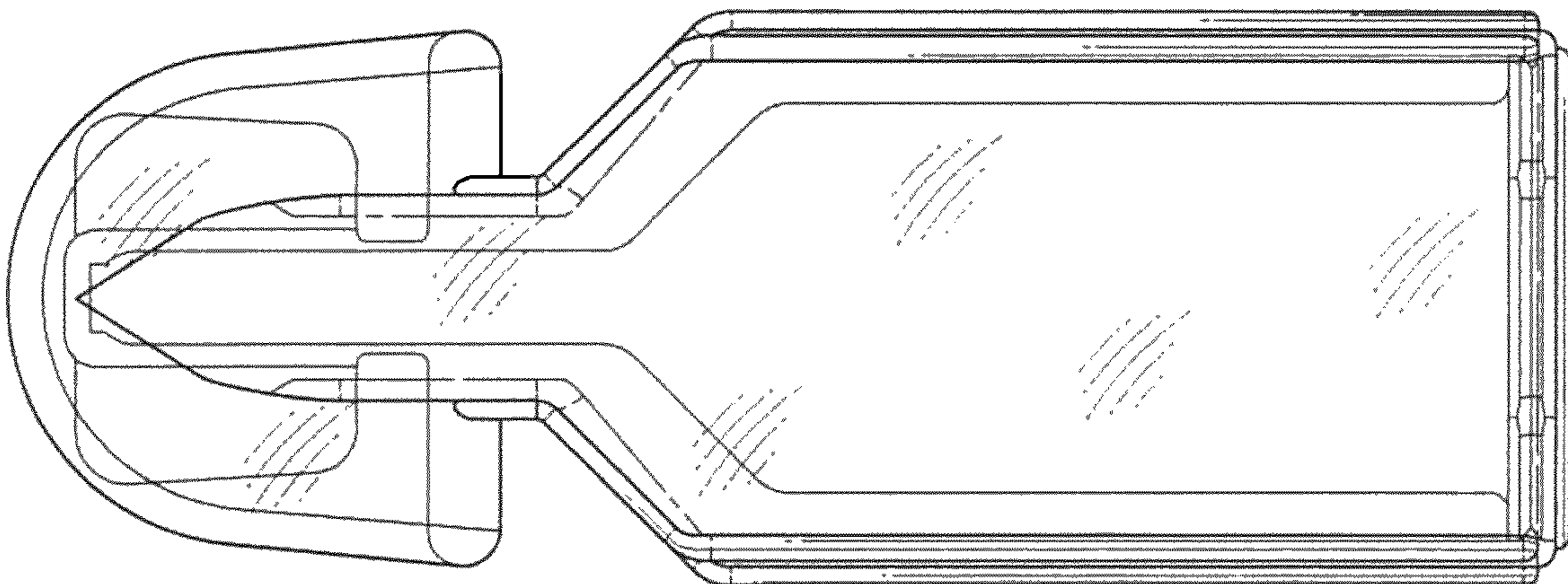


FIG. 5

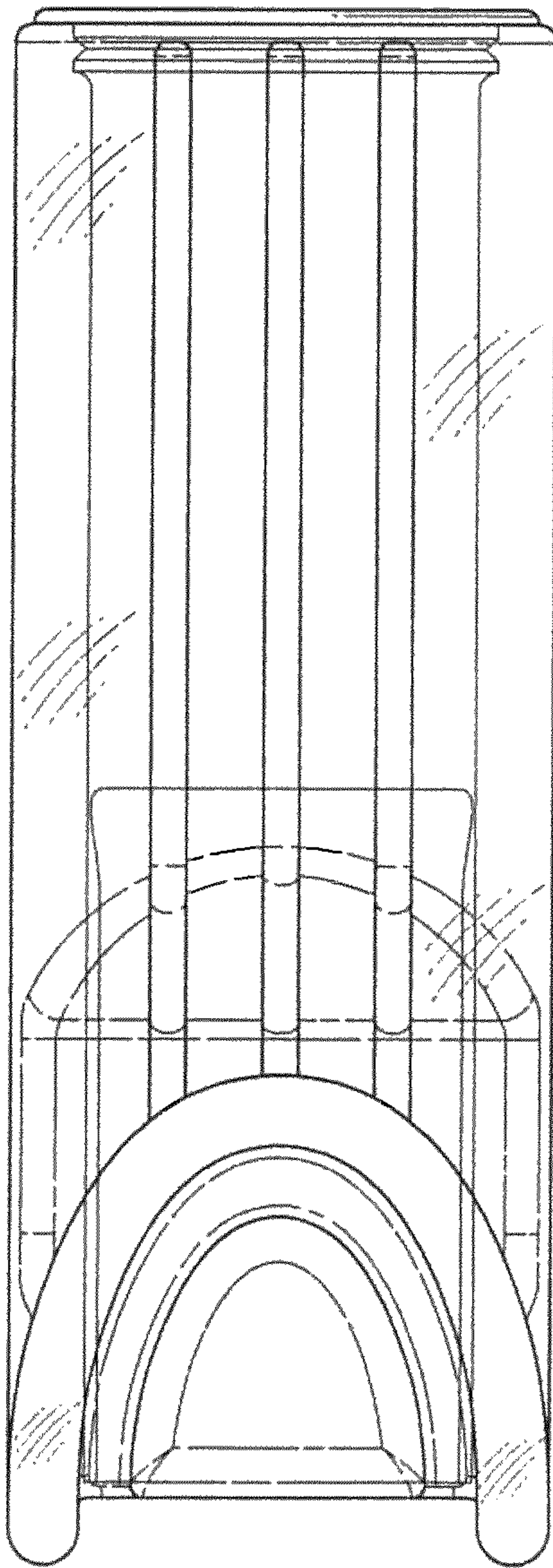


FIG. 6

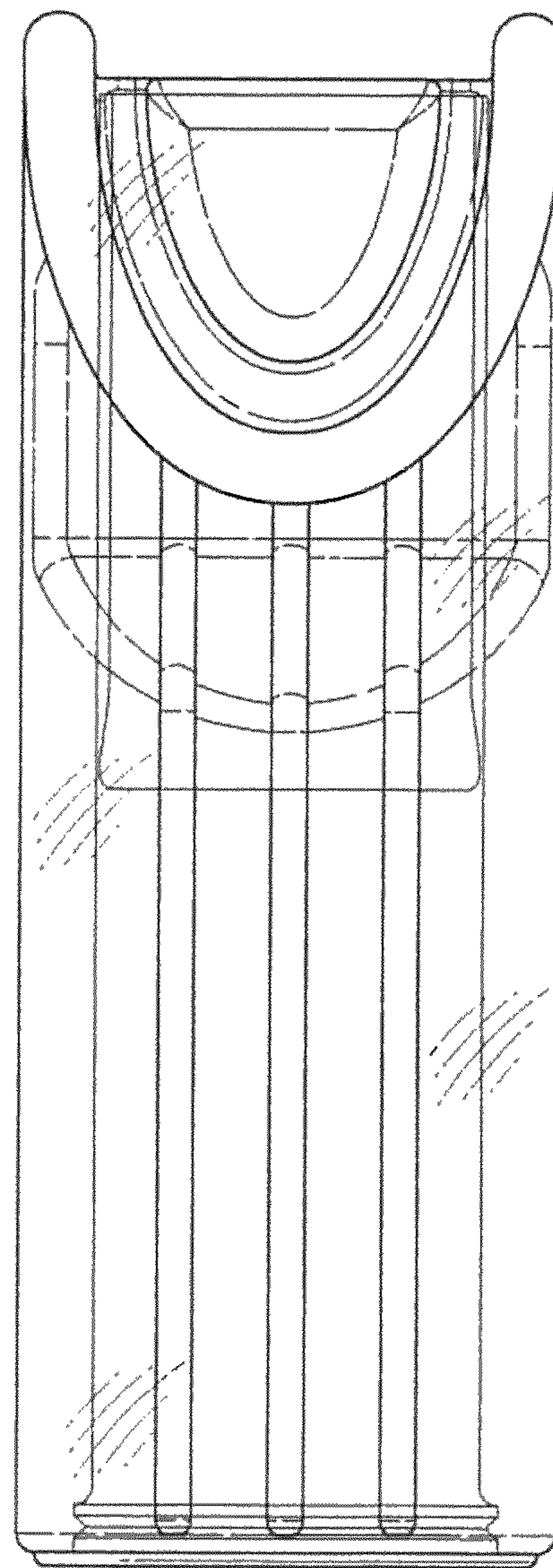


FIG. 7