



US00D924384S

(12) **United States Design Patent**
Choi et al.

(10) **Patent No.:** **US D924,384 S**

(45) **Date of Patent:** **** Jul. 6, 2021**

(54) **AIR CONDITIONER**

(71) Applicant: **LG ELECTRONICS INC.**, Seoul (KR)

(72) Inventors: **Jeongguen Choi**, Seoul (KR); **Soyoung Kim**, Seoul (KR); **Seoyeon Lee**, Seoul (KR); **Keunho Ju**, Seoul (KR)

(73) Assignee: **LG Electronics Inc.**, Seoul (KR)

(**) Term: **15 Years**

(21) Appl. No.: **29/719,901**

(22) Filed: **Jan. 8, 2020**

(30) **Foreign Application Priority Data**

Jul. 25, 2019 (KR) 30-2019-0035851

(51) **LOC (13) Cl.** **23-04**

(52) **U.S. Cl.**
USPC **D23/351**

(58) **Field of Classification Search**
USPC D23/333, 351-354, 388
CPC F24F 1/00; F24F 1/0007; F24F 1/02; F24F 1/08; F24F 1/42; F24F 1/56; F24F 1/60; F24F 3/044; F24F 3/048; F24F 3/16; G05D 23/1905; G05D 23/1932; G05D 23/1902; G05D 23/1931; G05B 19/0426; G05B 19/409; G05B 15/02
See application file for complete search history.

(56) **References Cited**

U.S. PATENT DOCUMENTS

D621,492 S * 8/2010 Tanaka D23/351
D621,921 S * 8/2010 Ishida D23/351

D623,281 S * 9/2010 Ishida D23/351
D770,024 S * 10/2016 Nakai D23/351
D777,893 S * 1/2017 Kato D23/351
D777,894 S * 1/2017 Kato D23/351
D782,636 S * 3/2017 Woo D23/333
D782,637 S * 3/2017 Woo D23/333
D849,911 S * 5/2019 Arai D23/351
D901,654 S * 11/2020 Lee D23/333
D901,655 S * 11/2020 Lee D23/333
D916,260 S * 4/2021 Choi D23/351

* cited by examiner

Primary Examiner — Natasha Vujcic

(74) *Attorney, Agent, or Firm* — Birch, Stewart, Kolasch & Birch, LLP

(57) **CLAIM**

We claim the ornamental design for an air conditioner, as shown and described.

DESCRIPTION

FIG. 1 is a perspective view of an air conditioner showing the new design:

FIG. 2 is a front elevation view thereof;

FIG. 3 is a rear elevation view thereof;

FIG. 4 is a left-side elevation view thereof;

FIG. 5 is a right-side elevation view thereof;

FIG. 6 is a top plan view thereof;

FIG. 7 is a bottom plan view thereof; and,

FIG. 8 is a perspective view illustrating a state of use thereof.

The broken lines in the drawings illustrate portions of the air conditioner which form no part of the claimed design.

1 Claim, 8 Drawing Sheets

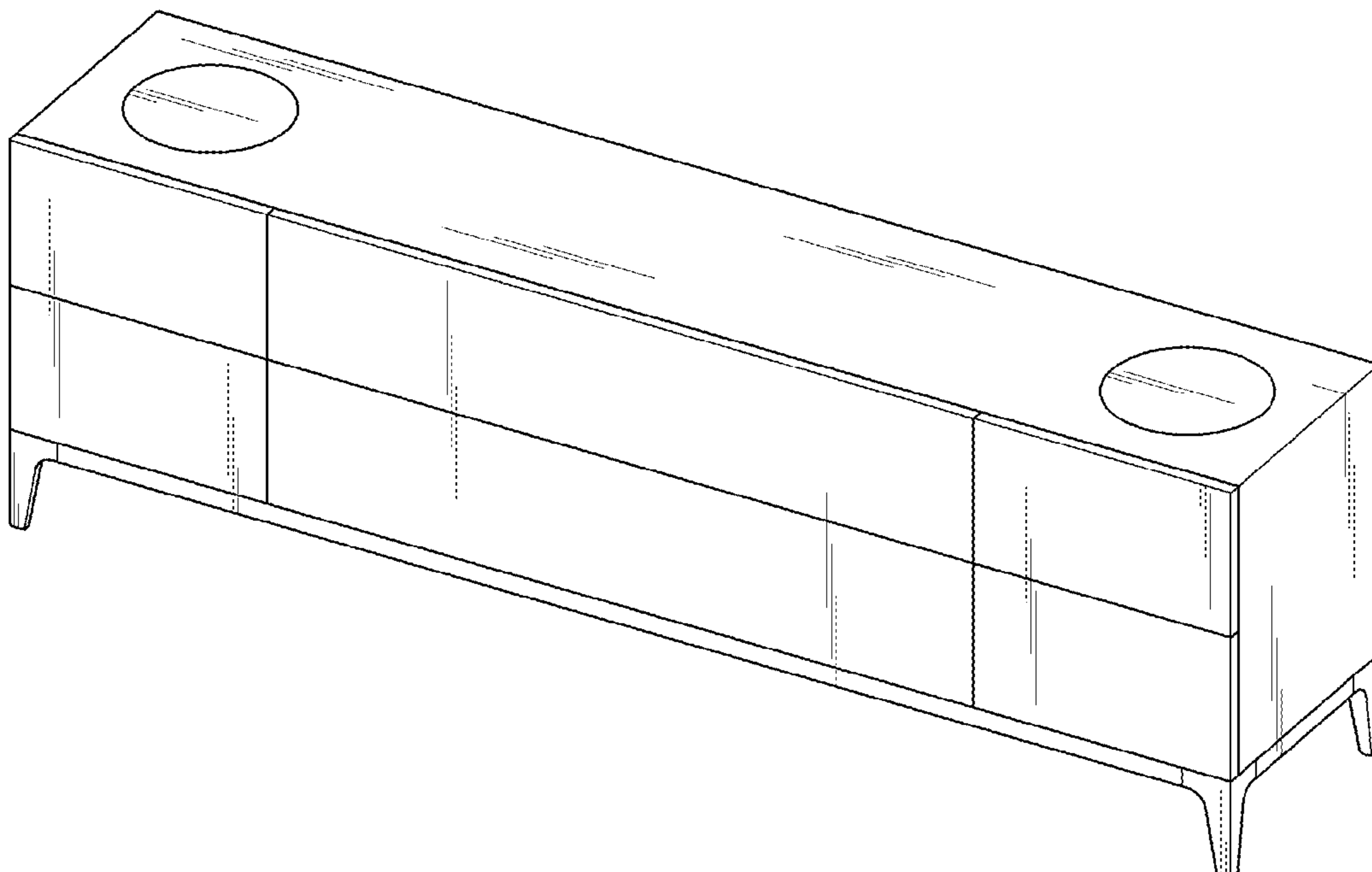


FIG. 1

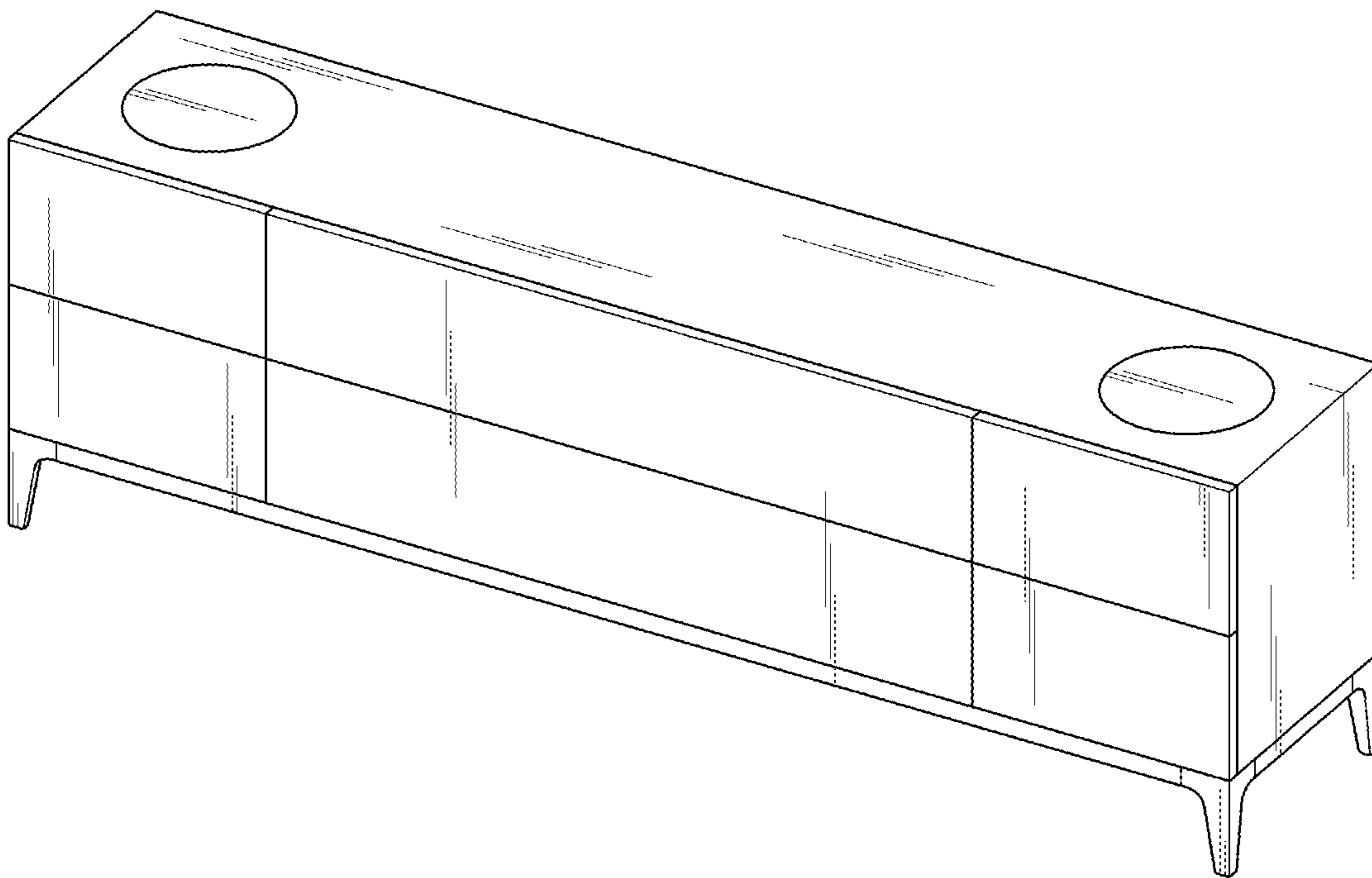


FIG. 2

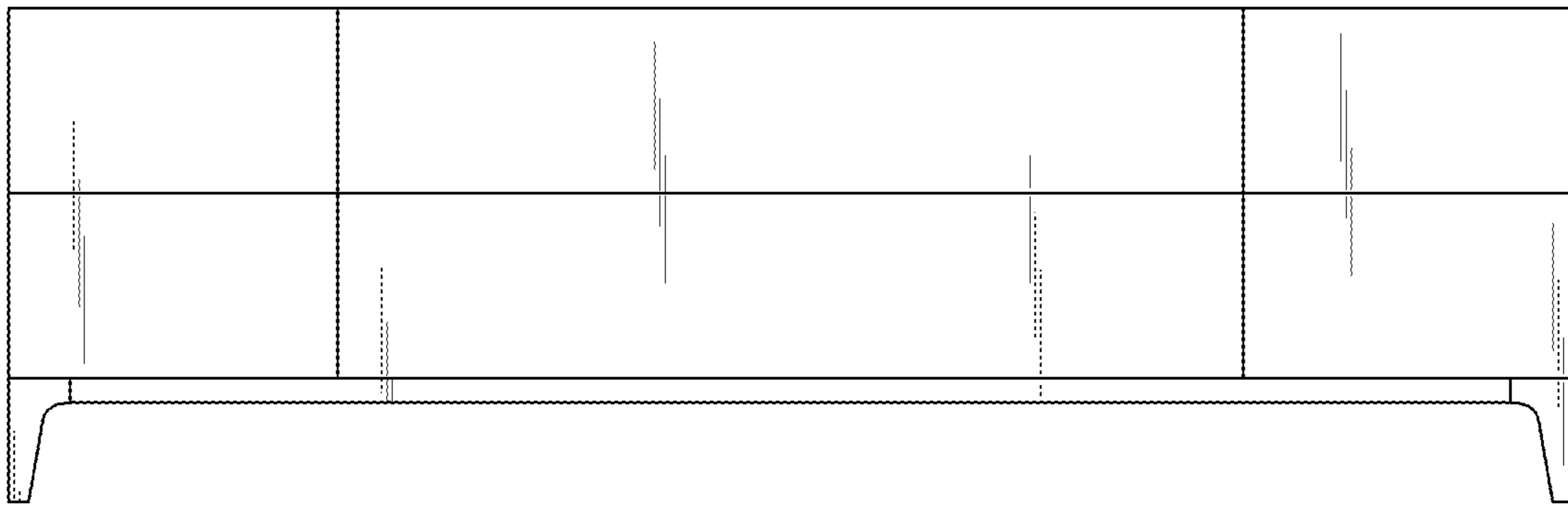


FIG. 3

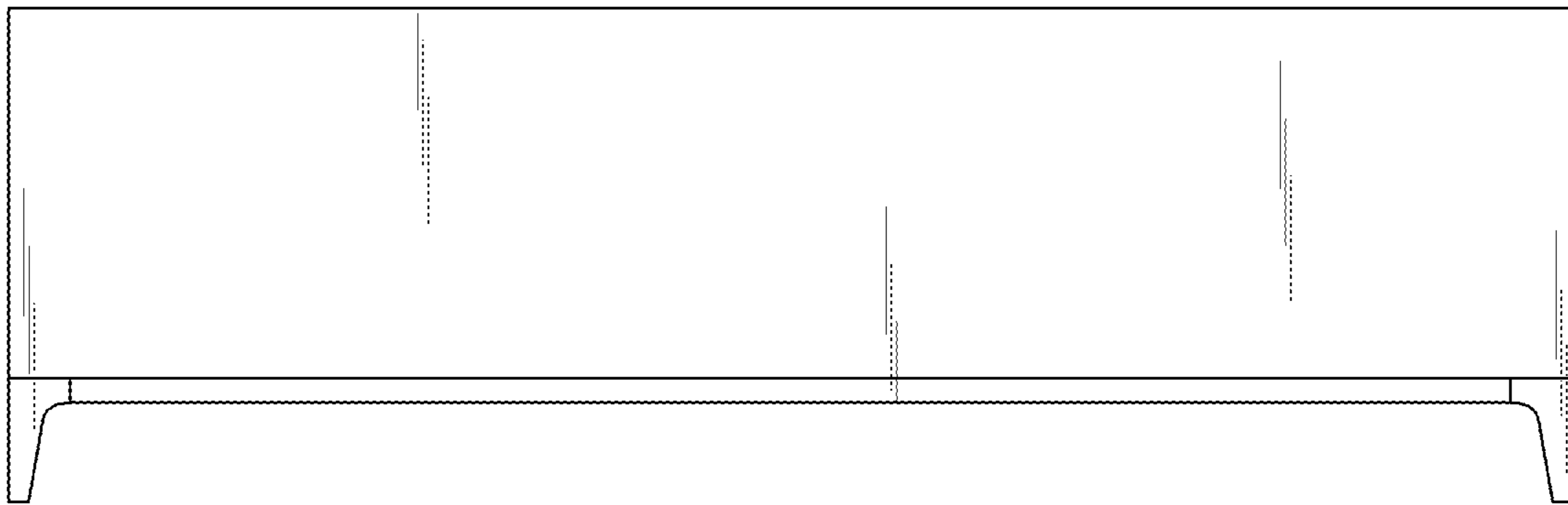


FIG. 4

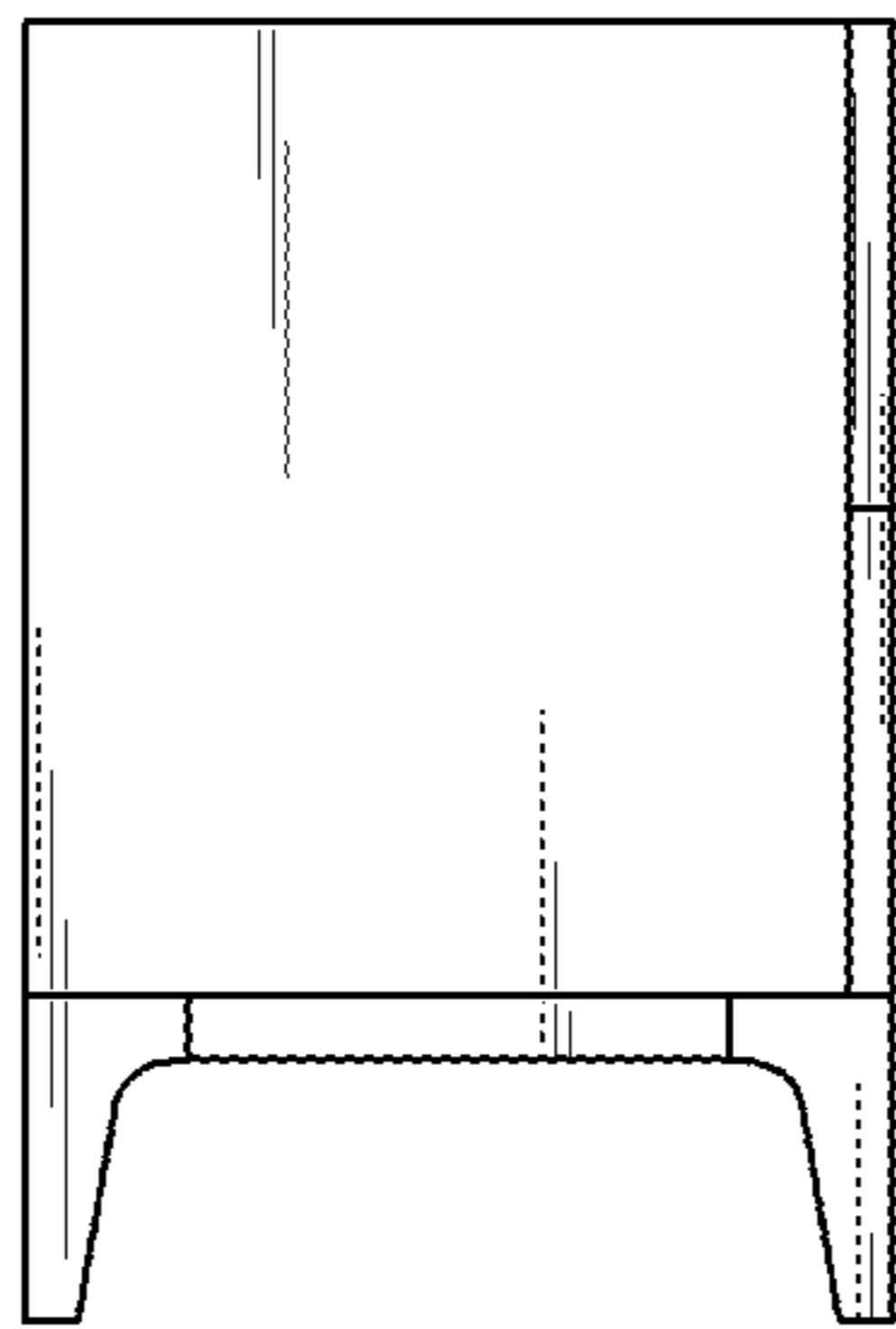


FIG. 5

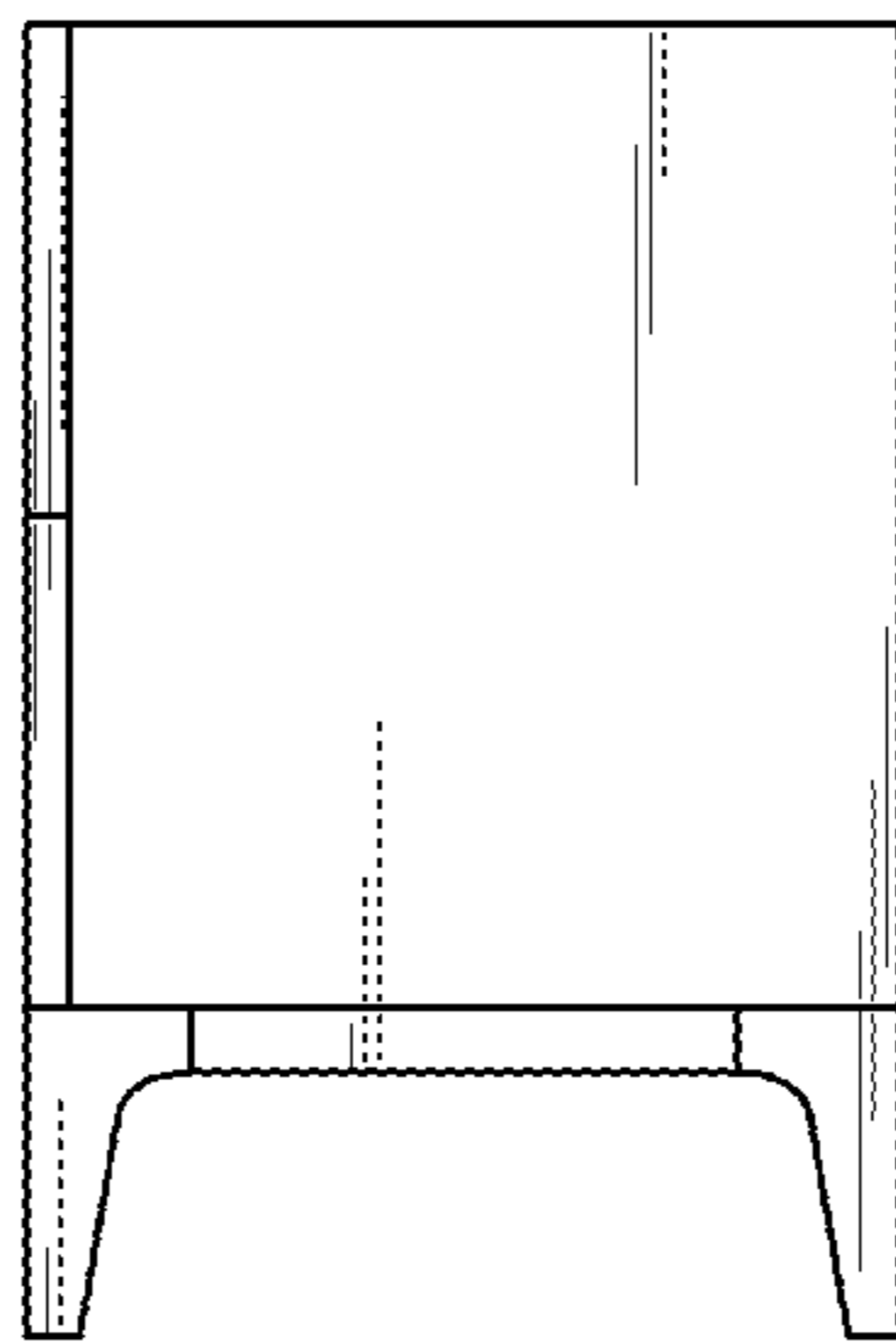


FIG. 6

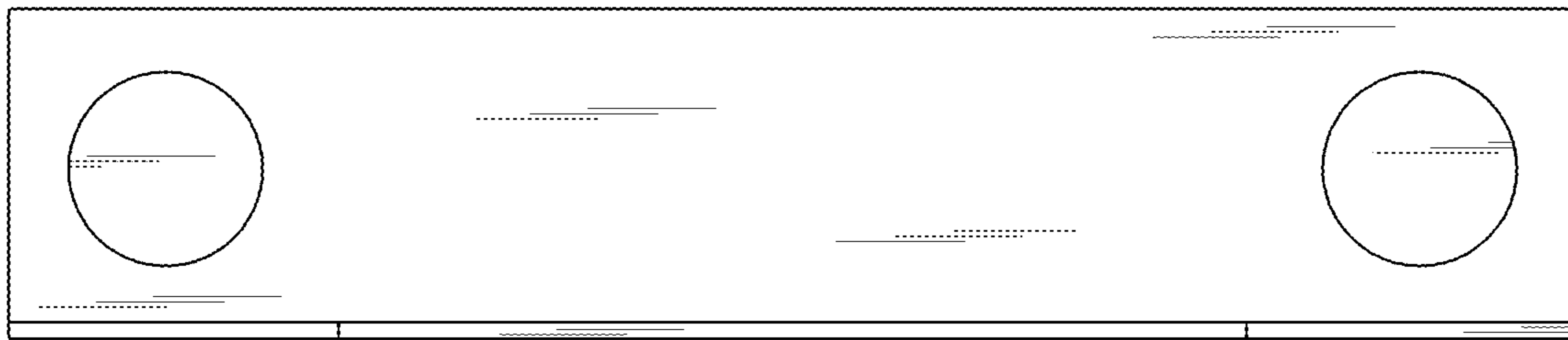


FIG. 7

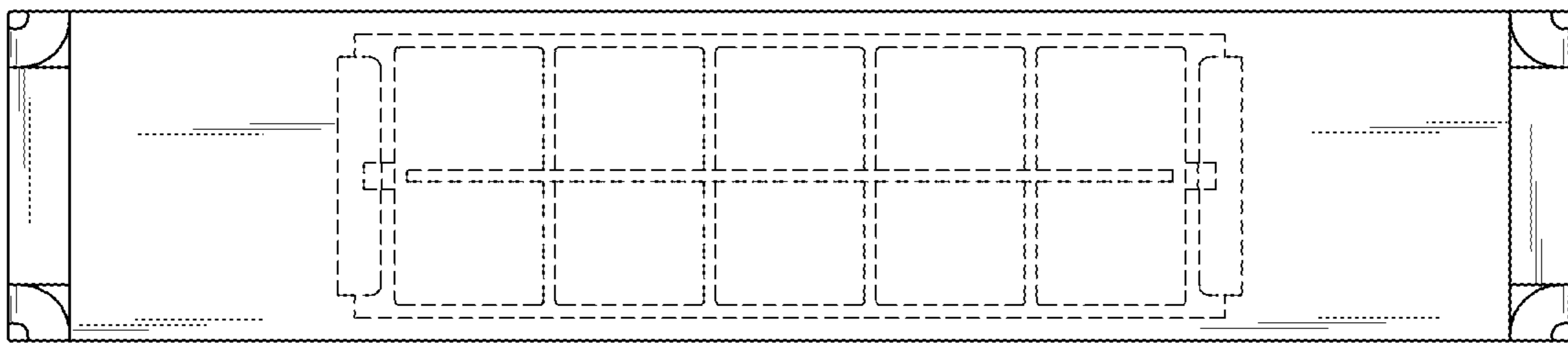


FIG. 8

