



US00D924383S

(12) **United States Design Patent**
Kim et al.

(10) **Patent No.:** **US D924,383 S**
(45) **Date of Patent:** **** Jul. 6, 2021**

(54) **AIR CONDITIONER**
(71) Applicant: **Samsung Electronics Co., Ltd.,**
Suwon-si (KR)
(72) Inventors: **Kangdo Kim, Suwon-si (KR);**
Suhyun Yoo, Suwon-si (KR); Sangin
Lee, Suwon-si (KR)
(73) Assignee: **Samsung Electronics Co., Ltd.,**
Suwon-si (KR)

D624,168 S * 9/2010 Aketa D23/351
D642,251 S * 7/2011 Seki D23/351
D772,387 S * 11/2016 Choi D23/354
D783,136 S * 4/2017 Park D23/351
D787,656 S * 5/2017 Yoo D23/351
D847,317 S * 4/2019 Shin D23/351
D847,962 S * 5/2019 Shin D23/351
D886,971 S * 6/2020 Shin D23/351
D896,939 S * 9/2020 Shin D23/351

(**) Term: **15 Years**
(21) Appl. No.: **29/713,050**
(22) Filed: **Nov. 13, 2019**

FOREIGN PATENT DOCUMENTS

CN 201630135220 8/2016
CN 201630135221 8/2016
JP D1150321 8/2001
KR 30-2015-0067088 9/2016
KR 30-2015-0067090 9/2016

* cited by examiner

(30) **Foreign Application Priority Data**

May 23, 2019 (KR) 30-2019-0024458

(51) **LOC (13) Cl.** **23-04**
(52) **U.S. Cl.**
USPC **D23/351**

Primary Examiner — Natasha Vujcic
(74) *Attorney, Agent, or Firm* — NSIP Law

(57) **CLAIM**

We claim the ornamental design for an air conditioner, as shown and described.

(58) **Field of Classification Search**
USPC D23/333, 351–354, 388
CPC F24F 1/00; F24F 1/0007; F24F 1/02; F24F
1/08; F24F 1/42; F24F 1/56; F24F 1/60;
F24F 3/044; F24F 3/048; F24F 3/16;
G05D 23/1905; G05D 23/1932; G05D
23/1902; G05D 23/1931; G05B 19/0426;
G05B 19/409; G05B 15/02
See application file for complete search history.

DESCRIPTION

FIG. 1 is a front perspective view of an air conditioner showing our new design;
FIG. 2 is a front view thereof;
FIG. 3 is a rear view thereof;
FIG. 4 is a left-side view thereof;
FIG. 5 is a right-side view thereof;
FIG. 6 is a top view thereof;
FIG. 7 is a bottom view thereof; and,
FIG. 8 is a bottom perspective view thereof.
The broken lines in the figures depict portions of the air conditioner which form no part of the claimed design.

(56) **References Cited**

U.S. PATENT DOCUMENTS

D529,595 S * 10/2006 Ueno D23/351
D579,095 S * 10/2008 Nagahori D23/351

1 Claim, 5 Drawing Sheets

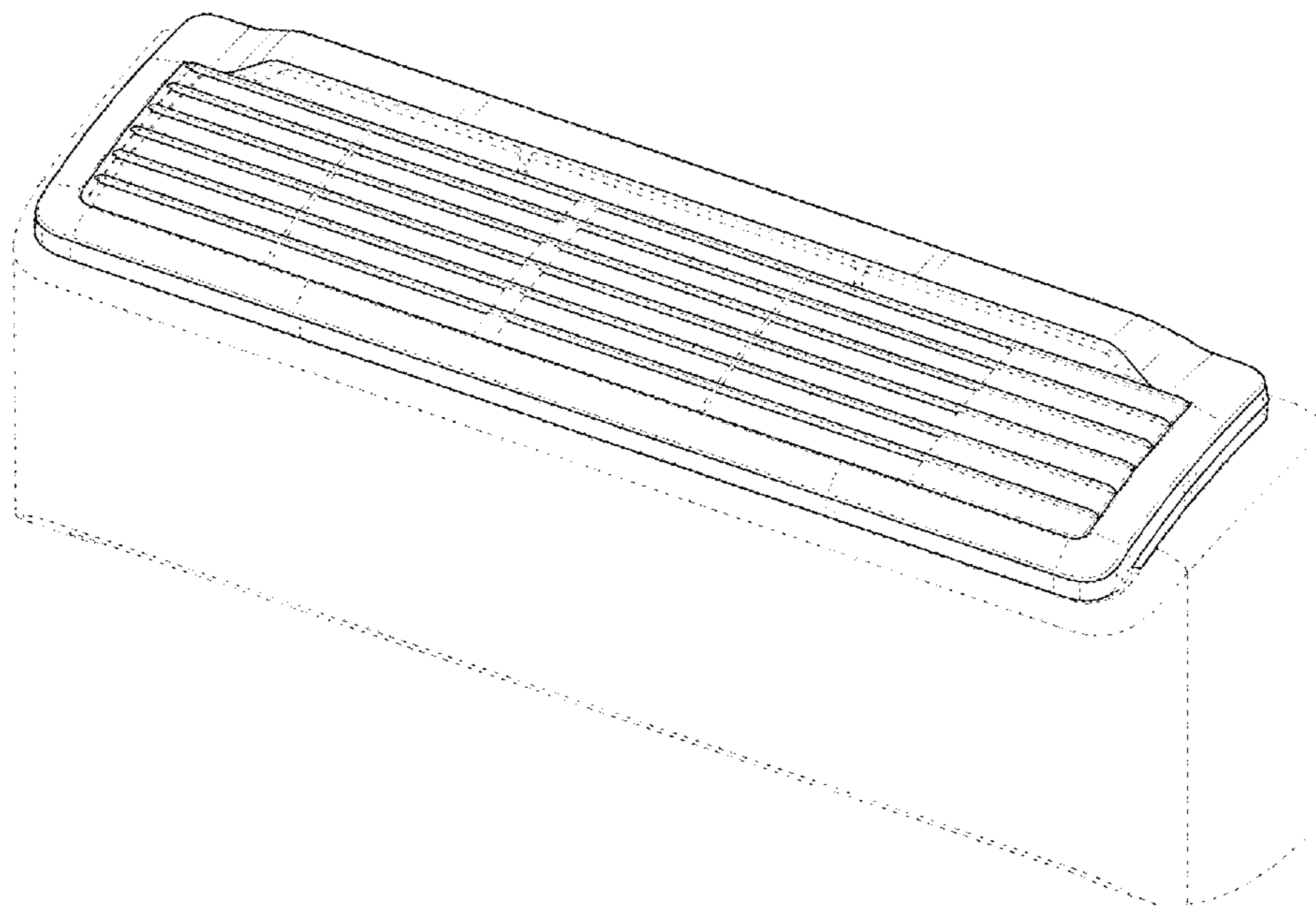


FIG. 1

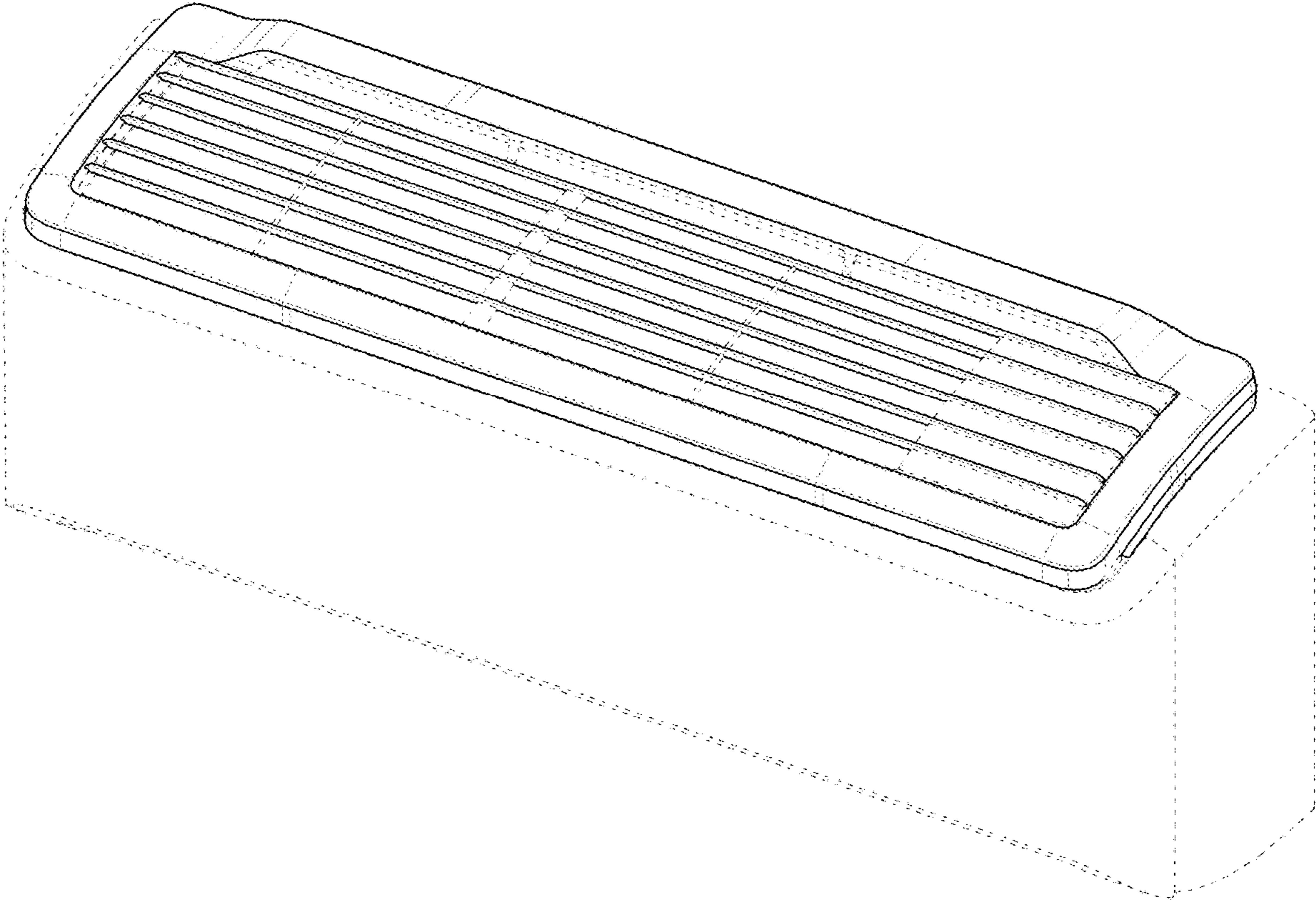


FIG. 2

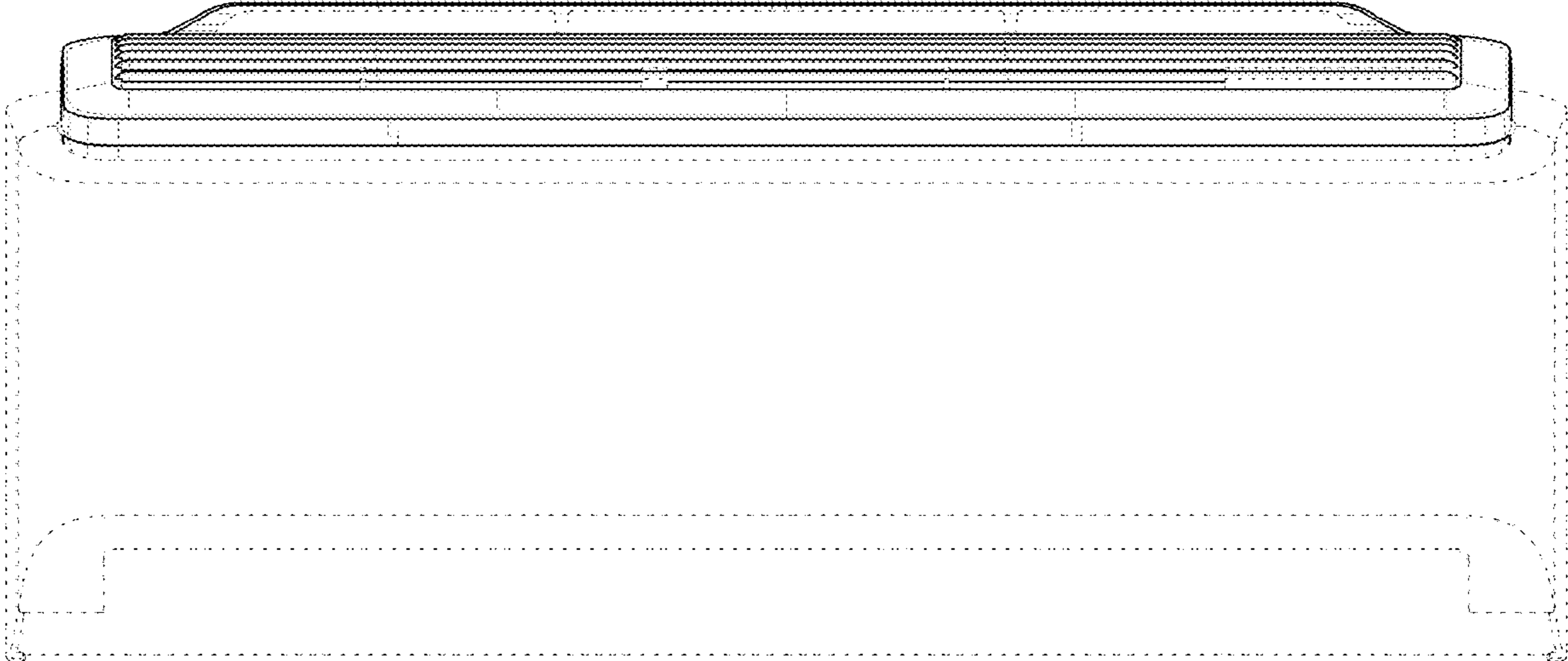


FIG. 3

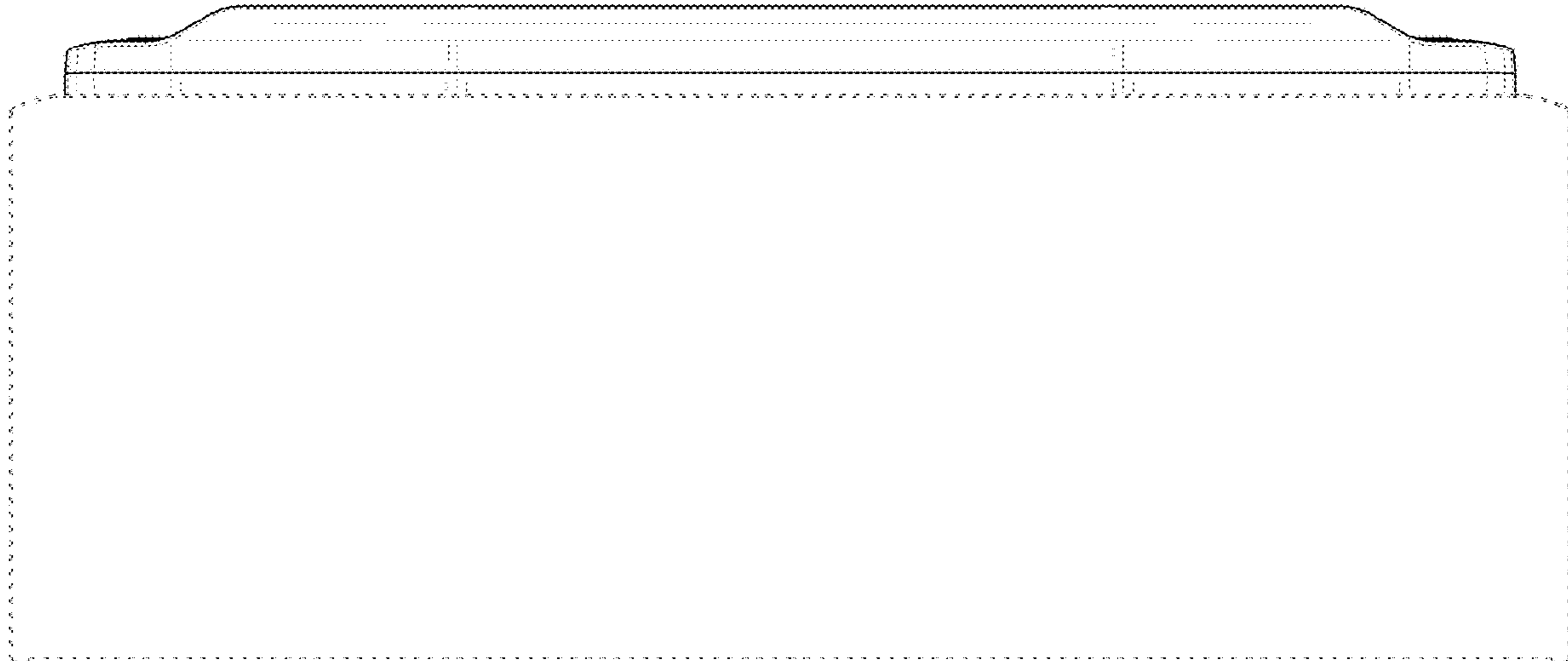


FIG. 4

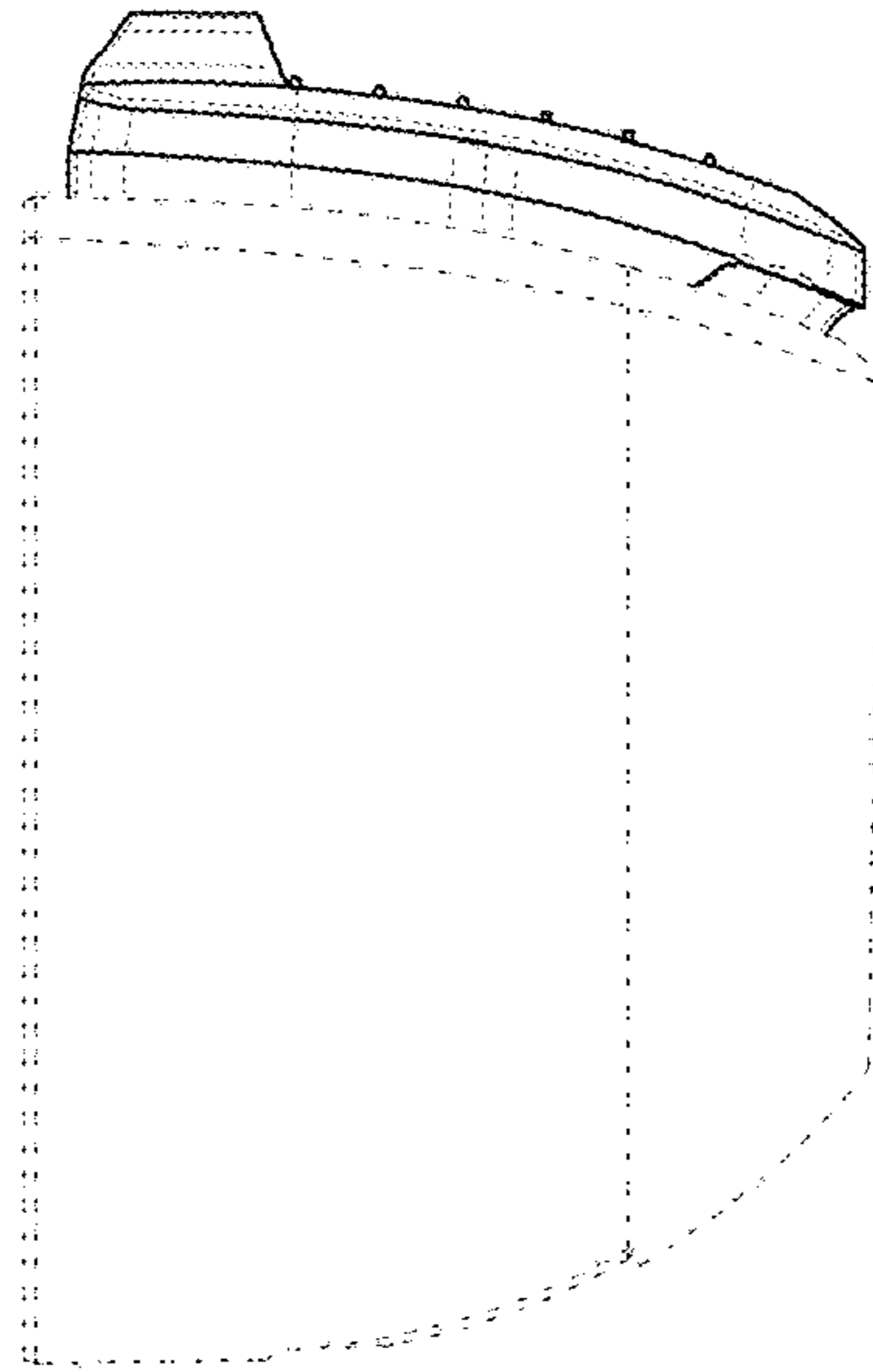


FIG. 5

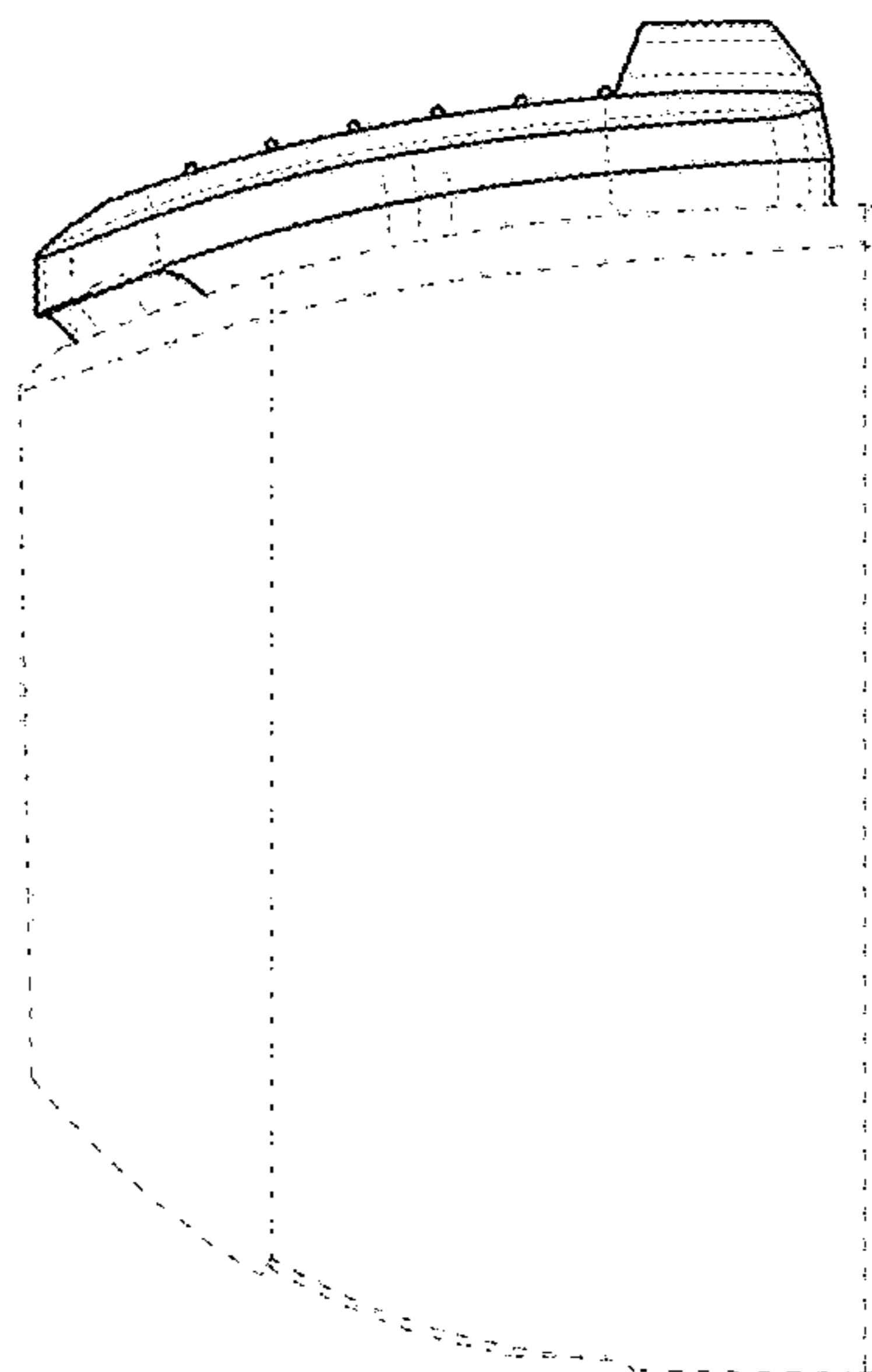


FIG. 6

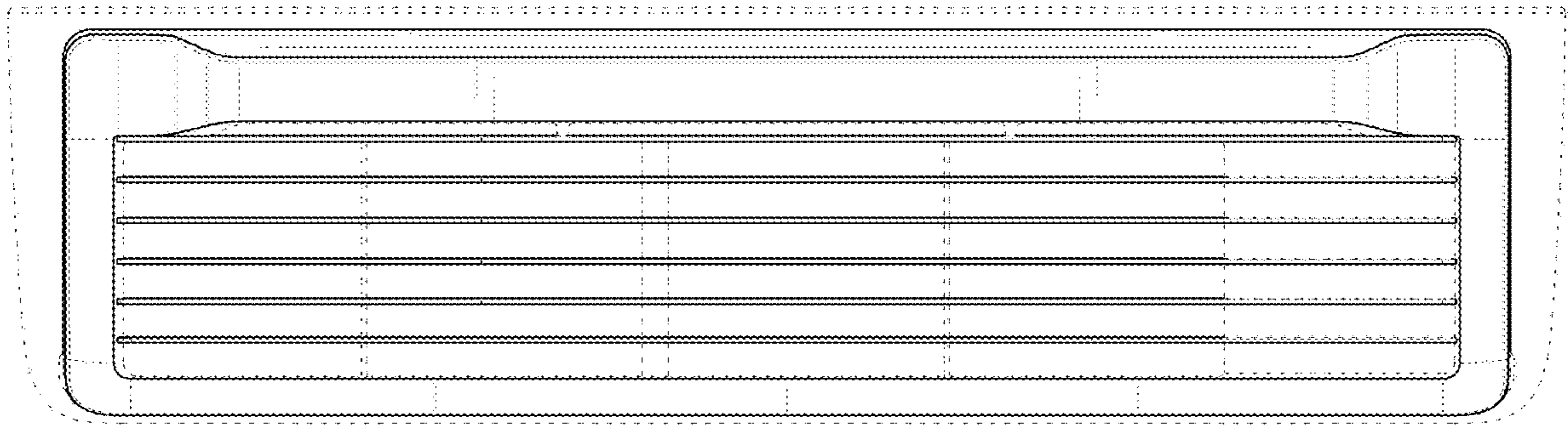


FIG. 7

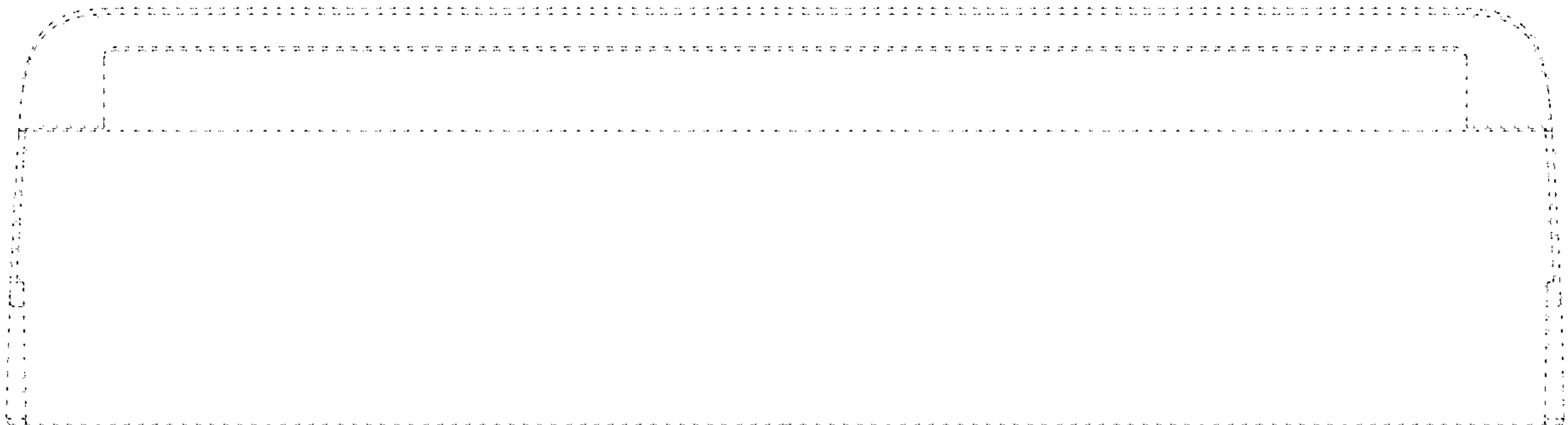


FIG. 8

