



US00D924382S

(12) **United States Design Patent** (10) **Patent No.:** **US D924,382 S**
He (45) **Date of Patent:** **** Jul. 6, 2021**

(54) **PORTABLE AIR CONDITIONER FAN**
(71) Applicant: **SHENZHEN MOSENSHI TECHNOLOGY CO., LTD.**, Shenzhen (CN)
(72) Inventor: **Feitong He**, Shenzhen (CN)
(73) Assignee: **SHENZHEN MOSENSHI TECHNOLOGY CO., LTD.**, Shenzhen (CN)

D616,080 S * 5/2010 Ching D23/332
D691,250 S * 10/2013 Chan D23/332
D804,001 S * 11/2017 Cartwright D23/355
D827,115 S * 8/2018 Petersen D23/333
D837,355 S * 1/2019 Gunnefur D23/364
D838,824 S * 1/2019 Sun D23/364
D848,593 S * 5/2019 Exley D23/351
D849,220 S * 5/2019 Fang D23/351
D850,593 S * 6/2019 Petersen D23/333
D852,340 S * 6/2019 Barlettano D23/333

(Continued)

(**) Term: **15 Years**
(21) Appl. No.: **29/747,303**
(22) Filed: **Aug. 21, 2020**

(30) **Foreign Application Priority Data**

Jul. 30, 2020 (EM) 008058432-0001

(51) **LOC (13) Cl.** **23-04**

(52) **U.S. Cl.**
USPC **D23/333**

(58) **Field of Classification Search**
USPC D23/333, 351-354, 388
CPC F24F 1/00; F24F 1/0007; F24F 1/02; F24F 1/08; F24F 1/42; F24F 1/56; F24F 1/60; F24F 3/044; F24F 3/048; F24F 3/16; G05D 23/1905; G05D 23/1932; G05D 23/1902; G05D 23/1931; G05B 19/0426; G05B 19/409; G05B 15/02
See application file for complete search history.

(56) **References Cited**

U.S. PATENT DOCUMENTS

D282,101 S * 1/1986 Yuen D23/328
D291,350 S * 8/1987 Sherman D23/335
D361,828 S * 8/1995 Chen D23/332
D536,780 S * 2/2007 Lerche D23/393
D606,645 S * 12/2009 Orihara D23/366

OTHER PUBLICATIONS

“NTMY Portable Air Conditioner Fan, Mini Evaporative Air Cooter with 7 Colors LED Light, 1/2/3 H Timer, 3 Wind Speeds and 3 Spray Modes for Office, Home, Dorm, Travel”, Retrieved Aug. 21, 2020. Retrieved from Internet, <https://www.amazon.com/NTMY-Portable-Conditioner-Evaporative-Cooler/dp/B0892LDMCH/>.

(Continued)

Primary Examiner — Natasha Vujcic

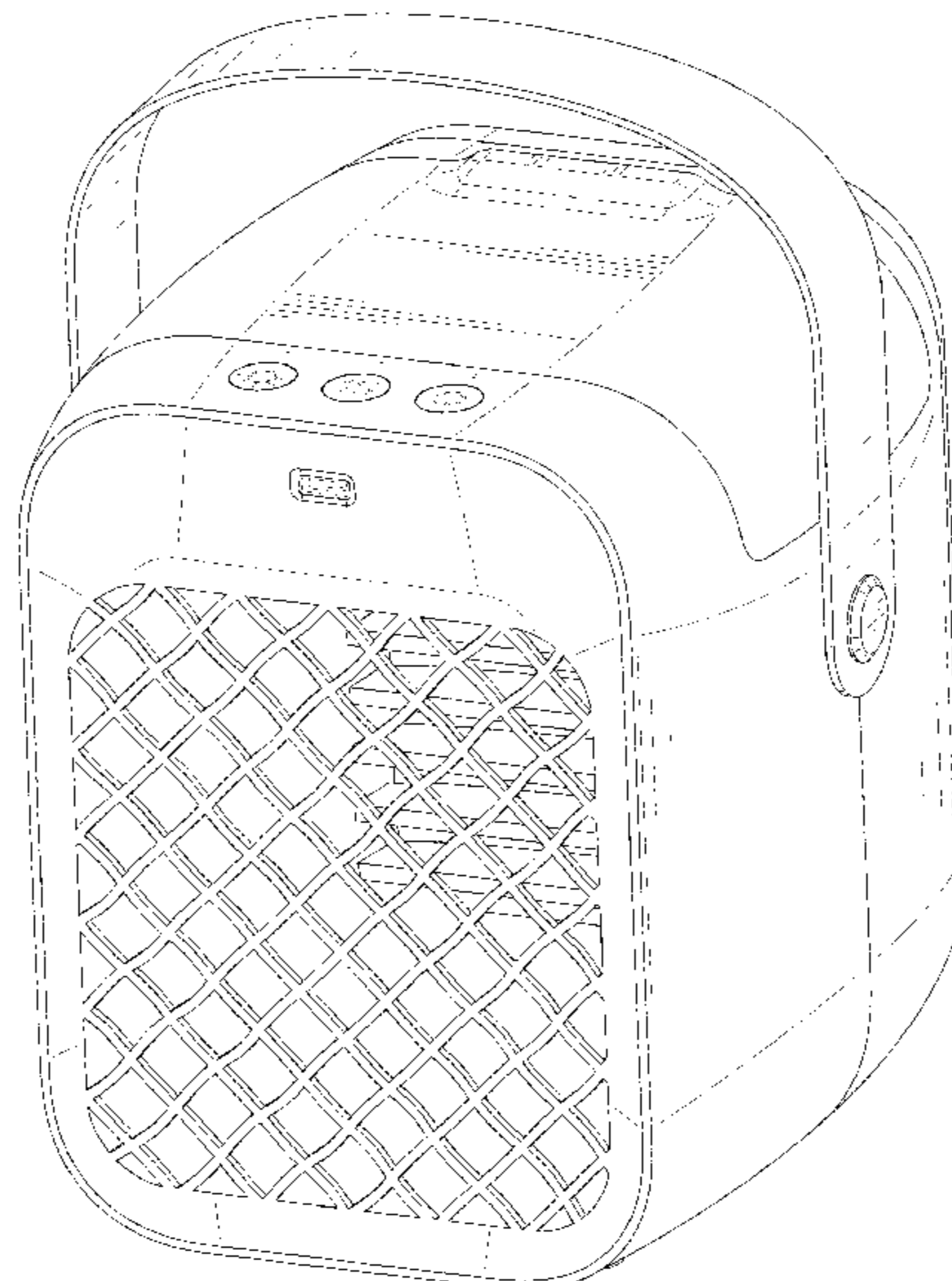
(57) **CLAIM**

The ornamental design for a portable air conditioner fan, as shown and described.

DESCRIPTION

FIG. 1 is a perspective view of a portable air conditioner fan showing my new design;
FIG. 2 is another perspective view thereof;
FIG. 3 is a front elevational view thereof;
FIG. 4 is a rear elevational view thereof;
FIG. 5 is a left side elevational view thereof;
FIG. 6 is a right side elevational view thereof;
FIG. 7 is a top plan view thereof; and,
FIG. 8 is a bottom plan view thereof.
The broken lines in the drawings depict portions of the portable air conditioner fan that form no part of the claimed design.

1 Claim, 8 Drawing Sheets



(56)

References Cited

U.S. PATENT DOCUMENTS

D870,256 S * 12/2019 Chan D23/364
D896,936 S * 9/2020 Ou D23/333

OTHER PUBLICATIONS

“PECHAM Portable Air Conditioner Fan, Personal Air Cooler, Desktop Cooling Fan, Mini Space Evaporative Air Cooler LED Night. Office Cooler Humidifier & Purifier, Perfect for Office Dorm Nightstand”. Retrieved Aug. 21, 2020. Retrieved from Internet, <https://www.amazon.com/PECHAM-Conditioner-Evaporative-Humidifier-Nightstand/dp/B088CQKP46/>.

* cited by examiner

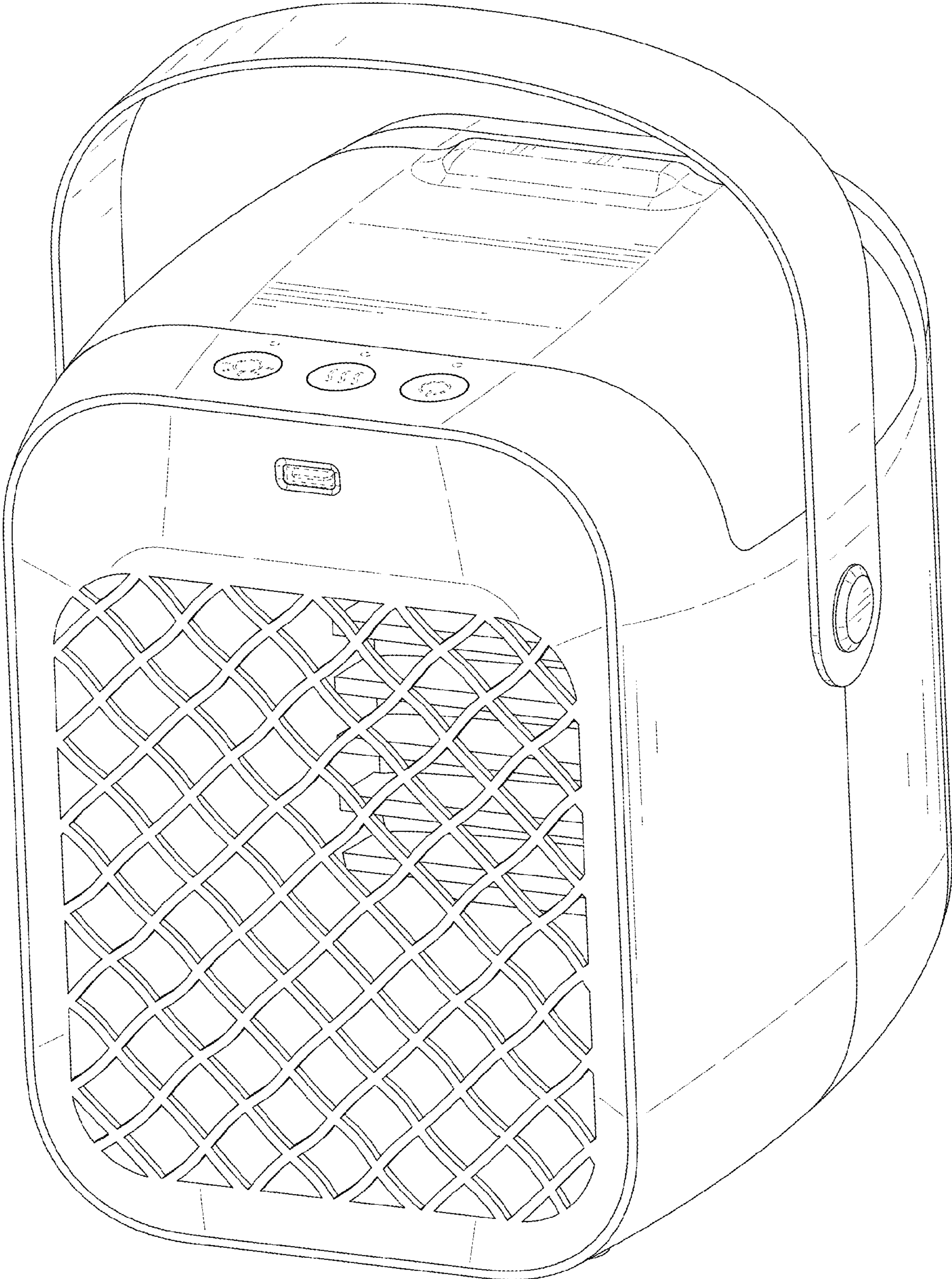


FIG. 1

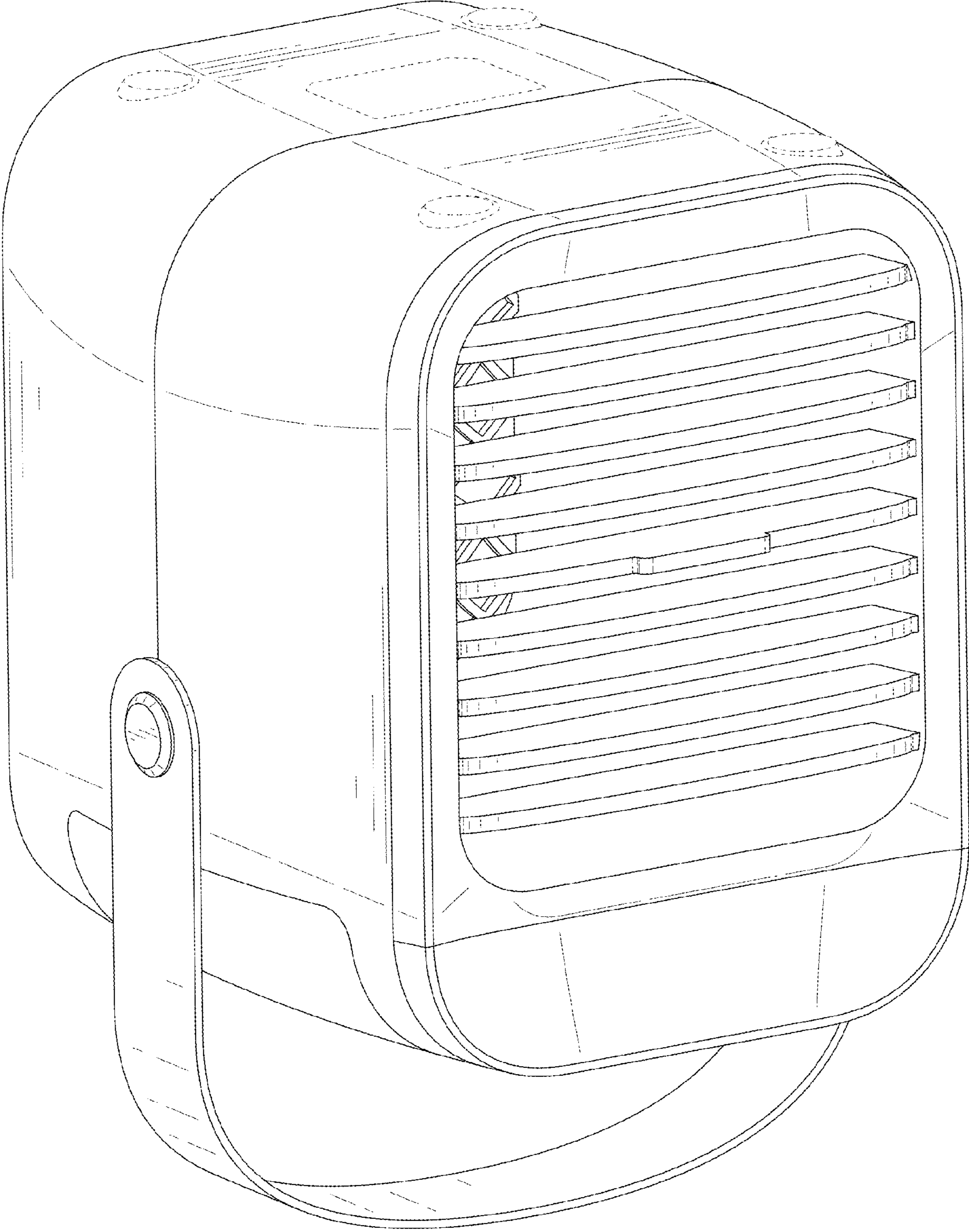


FIG. 2

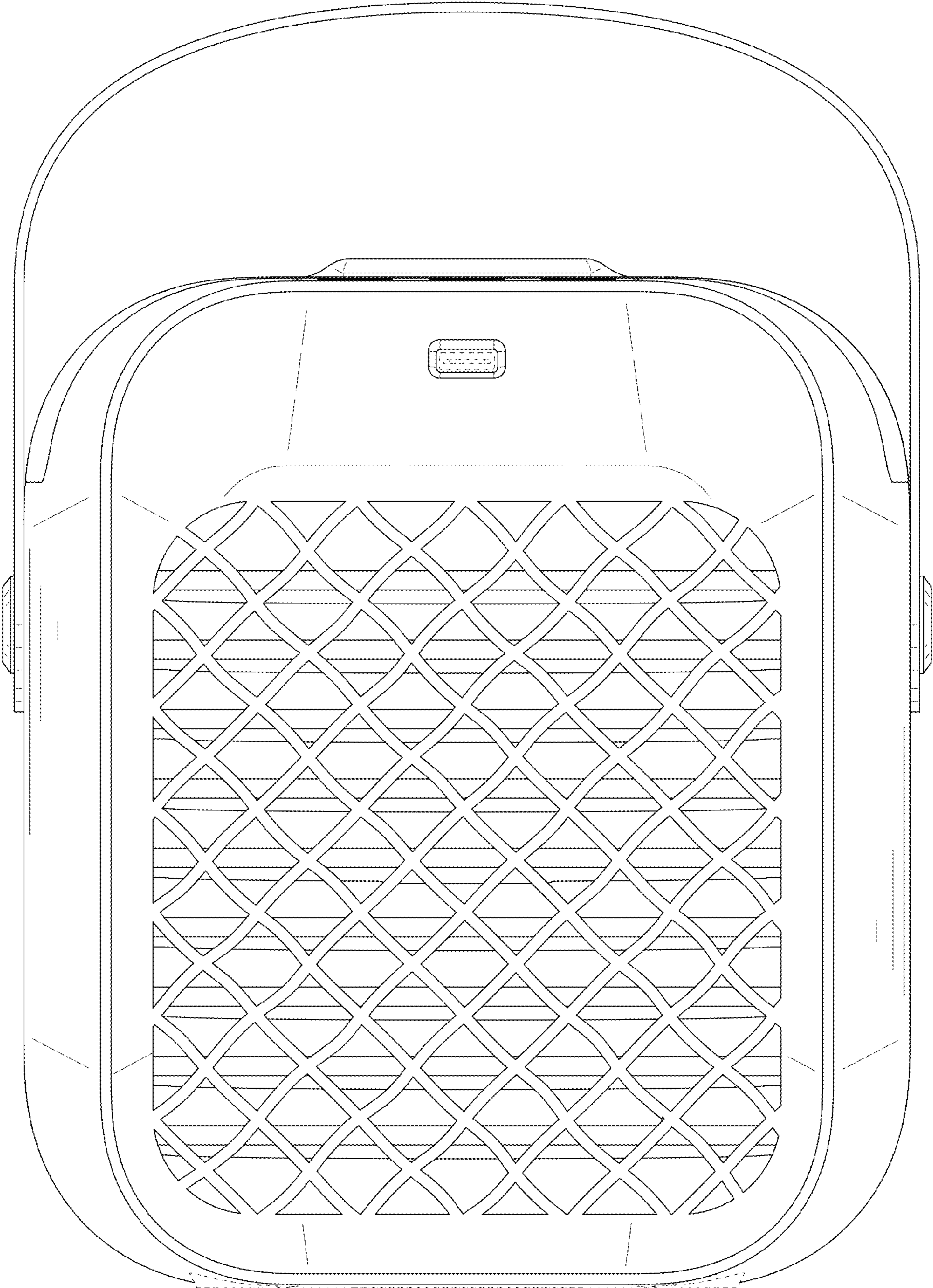


FIG. 3

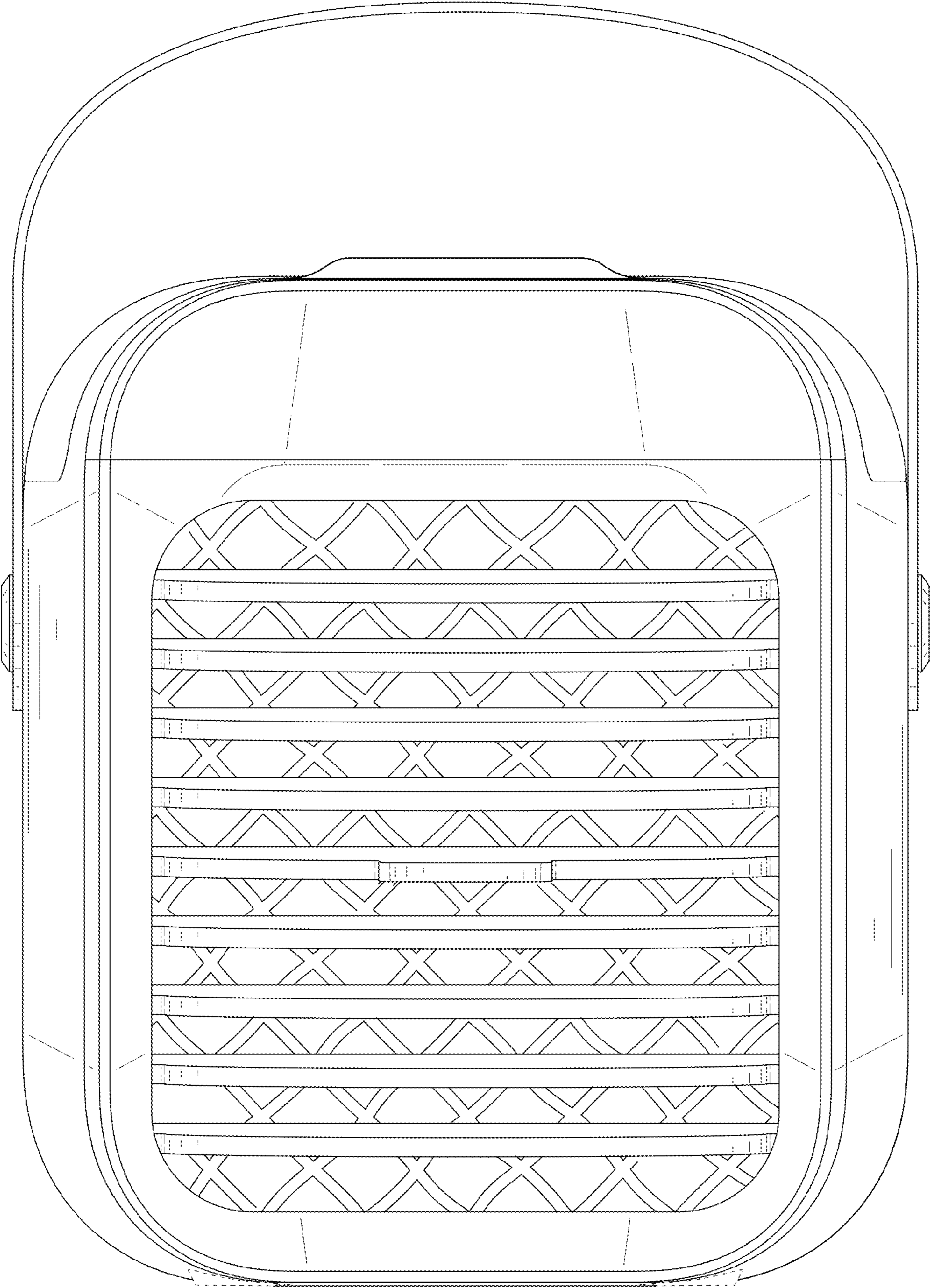


FIG. 4

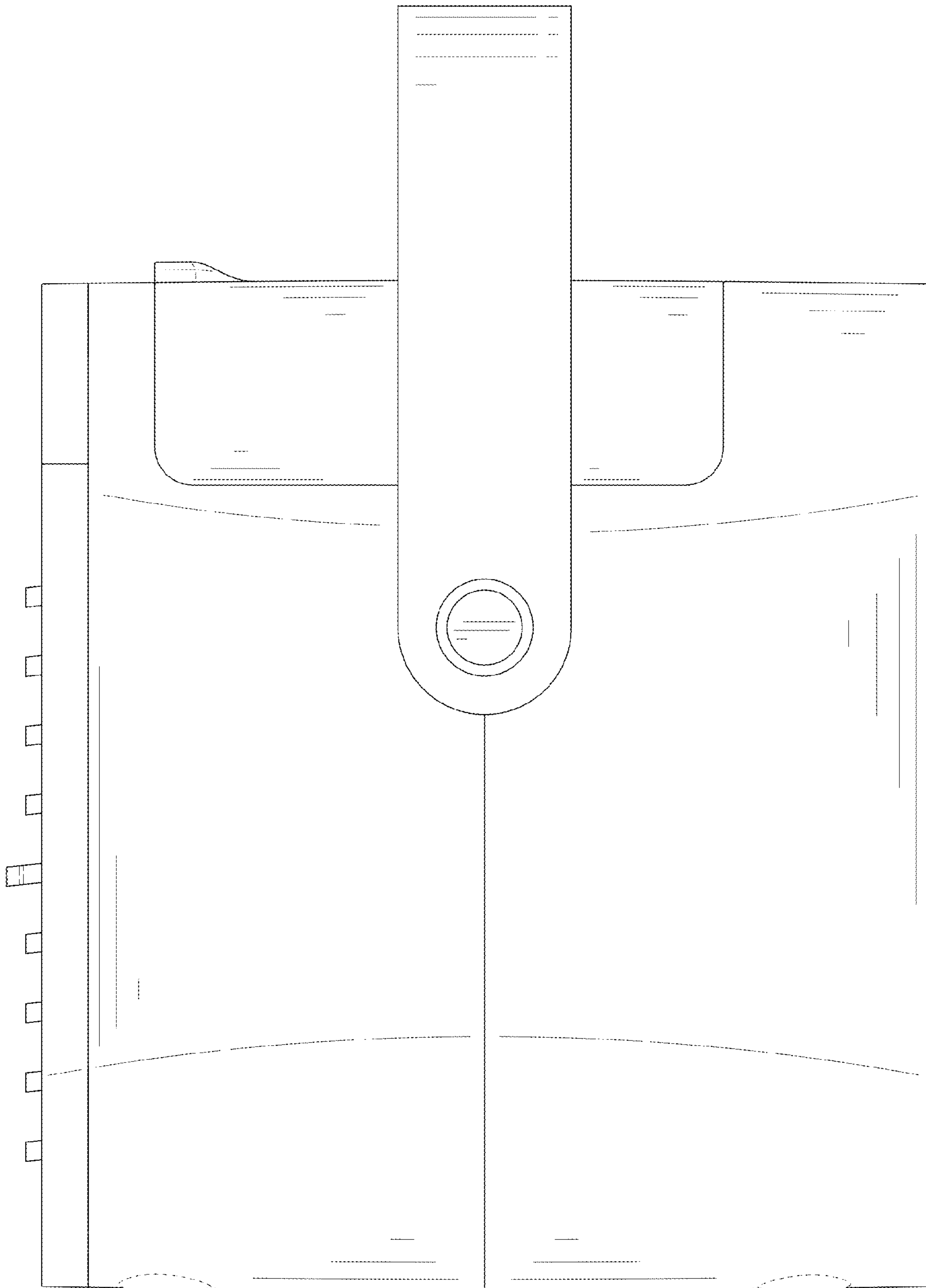


FIG. 5

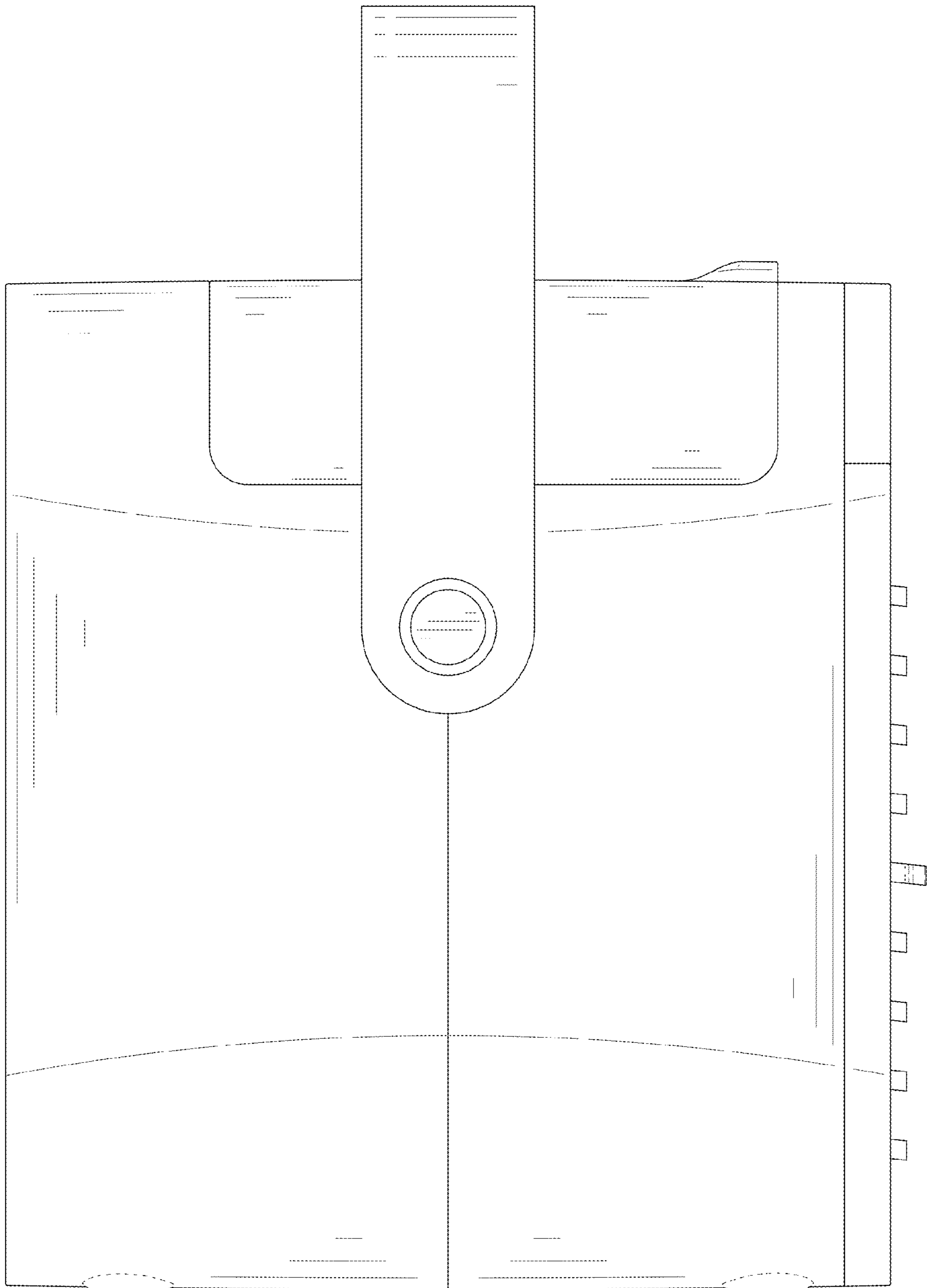


FIG. 6

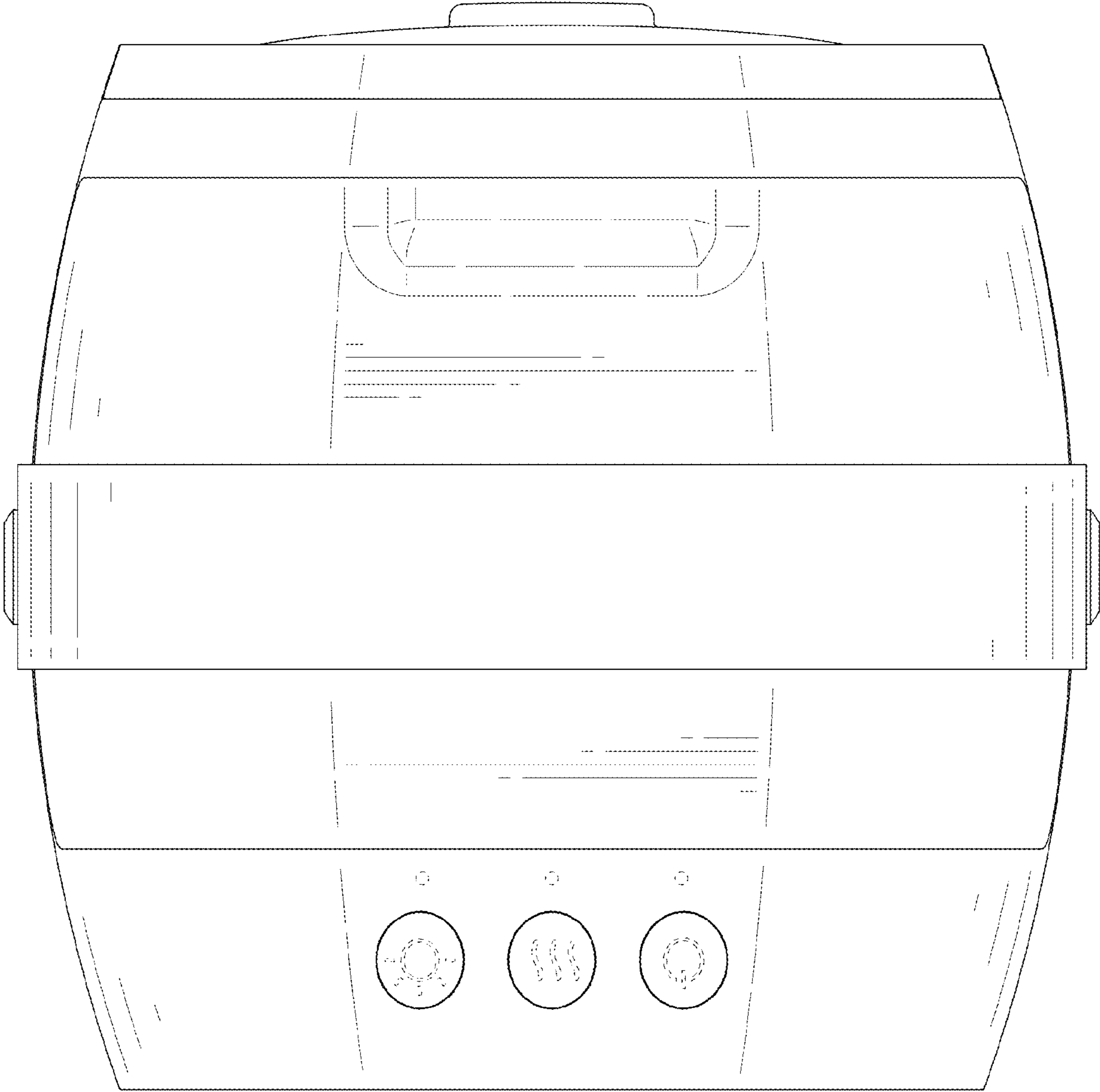


FIG. 7

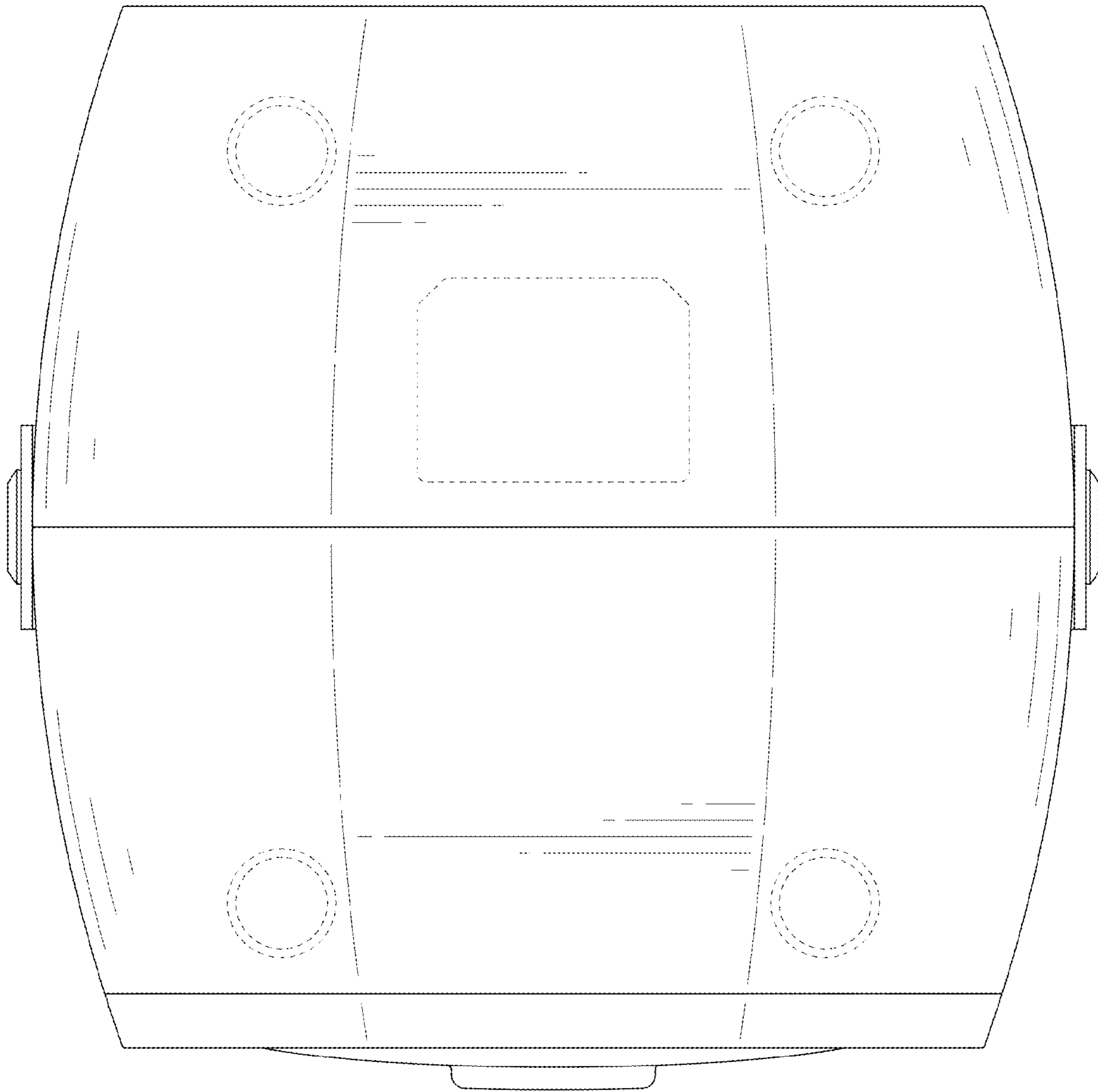


FIG. 8