



US00D924380S

(12) **United States Design Patent** (10) **Patent No.:** **US D924,380 S**
Stroikov (45) **Date of Patent:** **** Jul. 6, 2021**

(54) **BATH SEAT FOR CHILDREN**
(71) Applicant: **Mikhail Stroikov**, Lyubertsy (RU)
(72) Inventor: **Mikhail Stroikov**, Lyubertsy (RU)
(73) Assignee: **SPARK LINES, INC.**, Cheyenne, WY (US)
(**) Term: **15 Years**

D914,377 S * 3/2021 Xu D6/333
2014/0182057 A1* 7/2014 Saidman A47K 3/122
4/572.1

* cited by examiner

Primary Examiner — Robert A Delehanty
(74) *Attorney, Agent, or Firm* — Pete Tormey; Antero, Tormey & Petrin PC

(21) Appl. No.: **29/694,888**
(22) Filed: **Jun. 14, 2019**
(51) **LOC (13) Cl.** **23-02**
(52) **U.S. Cl.**
USPC **D23/304; D6/333**
(58) **Field of Classification Search**
USPC D23/277–278, 304; D6/333
CPC A47D 13/083; A63B 2208/12; A61H
2035/004
See application file for complete search history.

(57) **CLAIM**

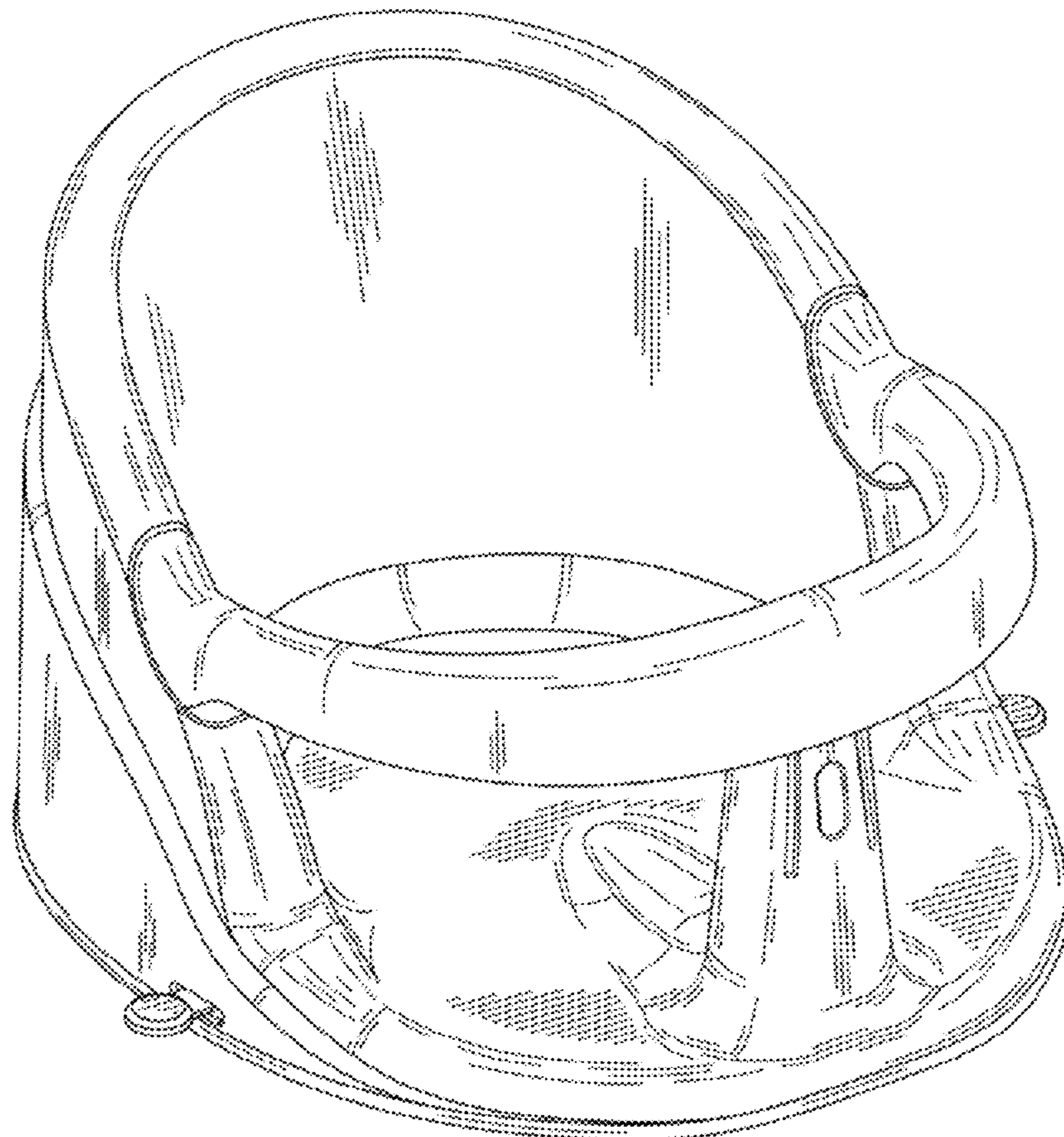
The ornamental design for a bath seat for children, as shown and described.

DESCRIPTION

FIG. 1 is a perspective view of bath seat for children showing my new design;
FIG. 2 is a front view thereof;
FIG. 3 is a left view thereof;
FIG. 4 is a right view thereof;
FIG. 5 is a back view thereof; and,
FIG. 6 is a top view thereof.
The claimed bath seat for children is used for provide an access to high-placed objects.

(56) **References Cited**
U.S. PATENT DOCUMENTS
5,158,460 A * 10/1992 Bernstein A47K 3/122
4/572.1
D895,077 S * 9/2020 Festa D23/278

1 Claim, 6 Drawing Sheets



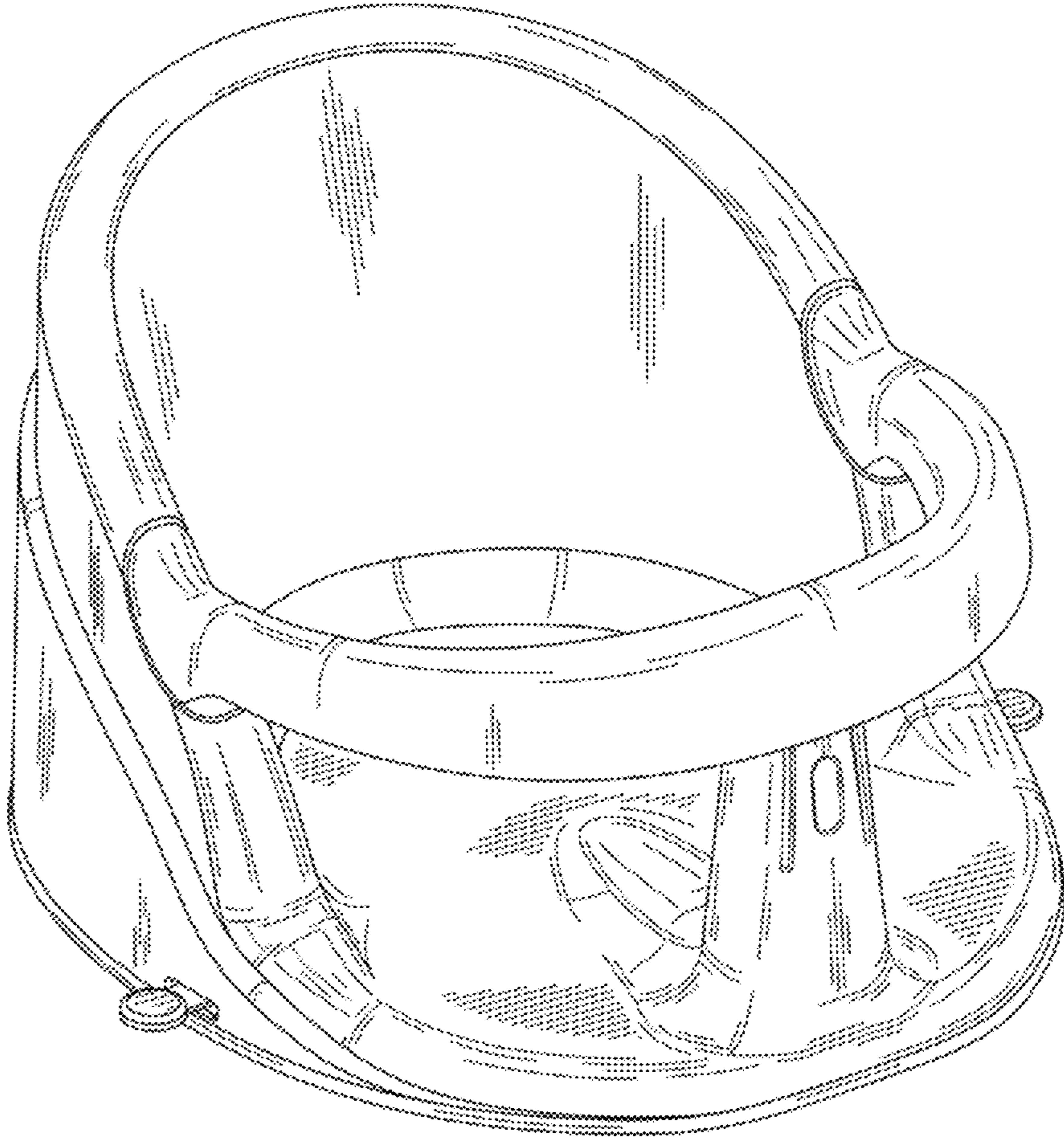


Fig. 1

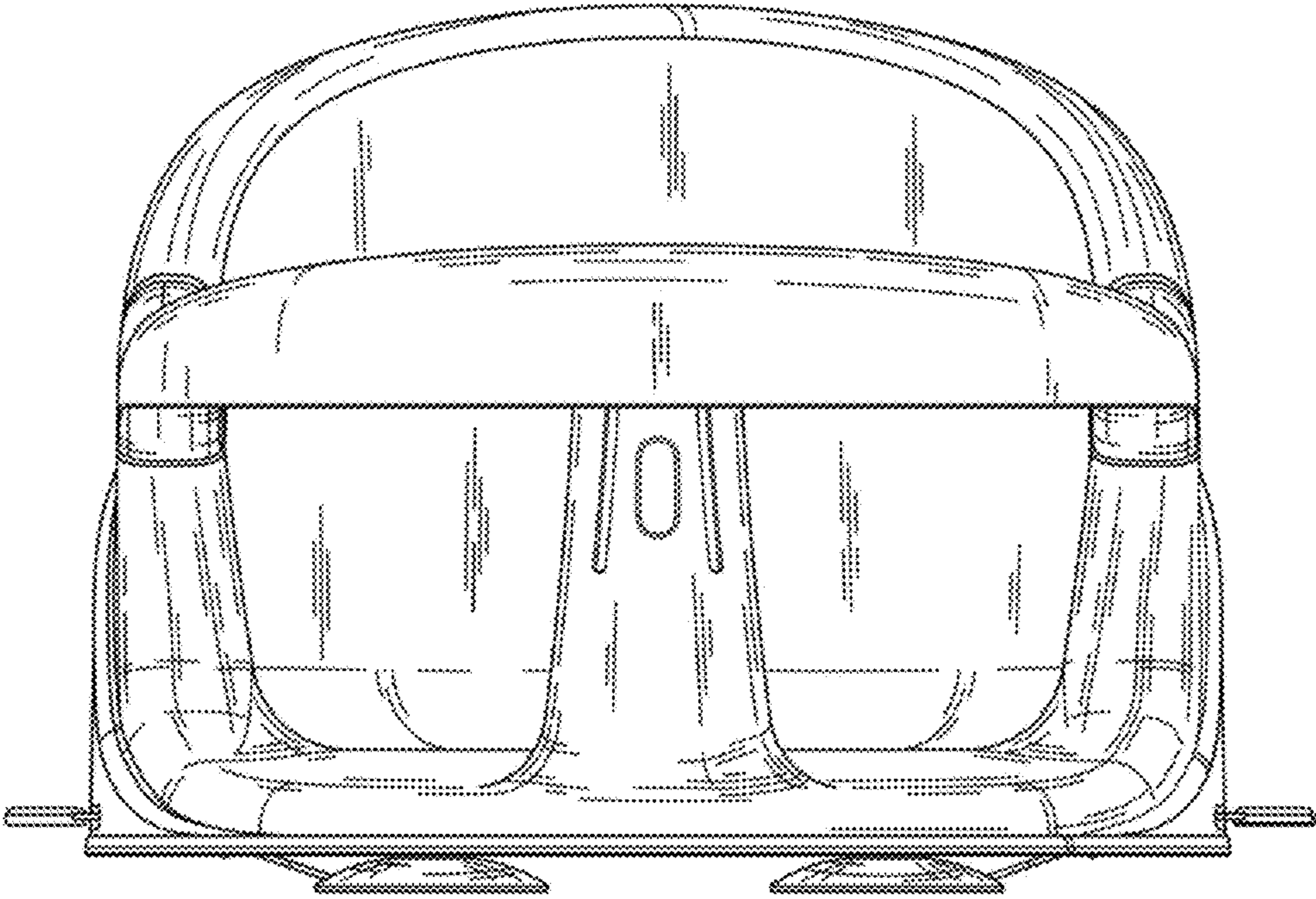


Fig. 2

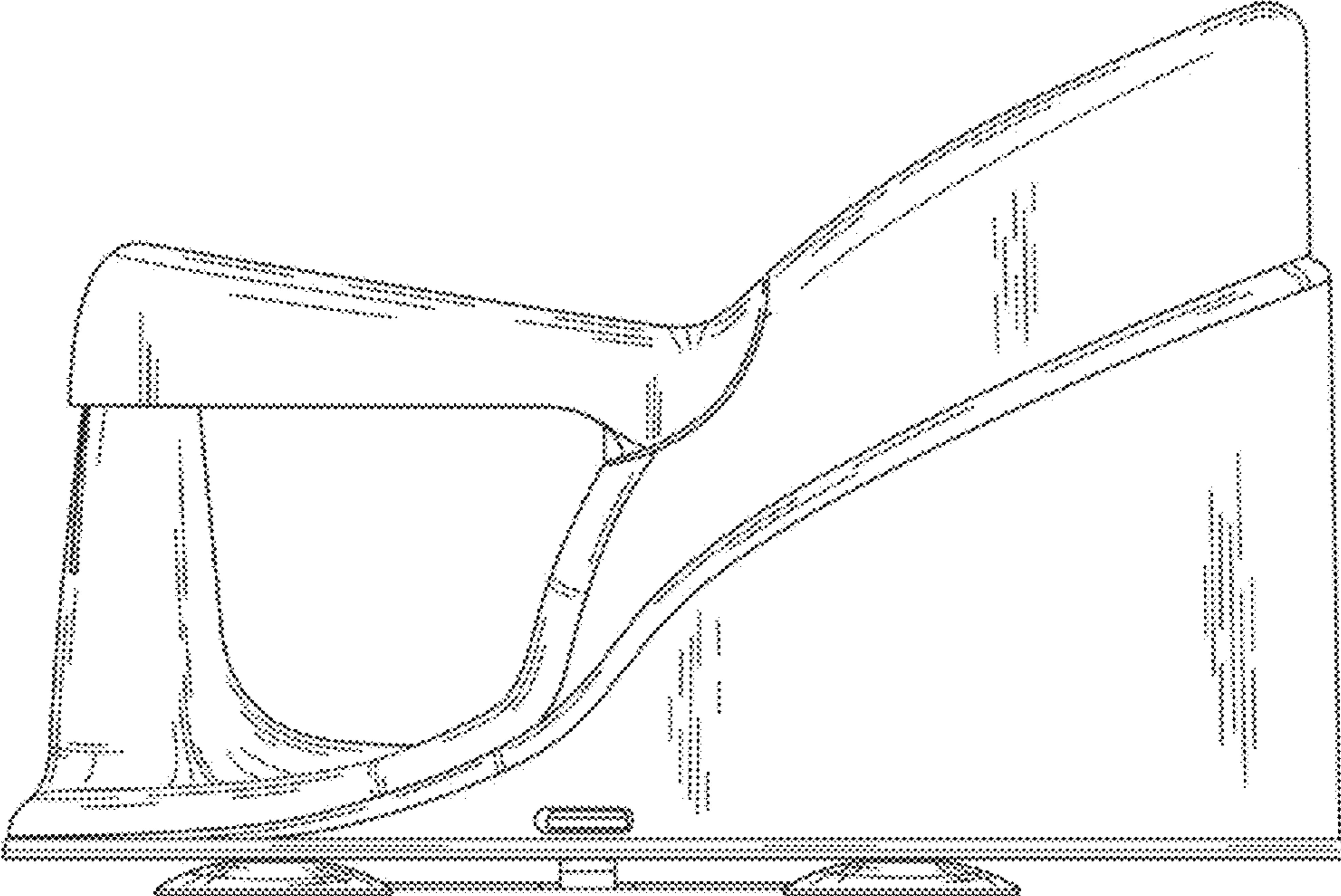


Fig. 3

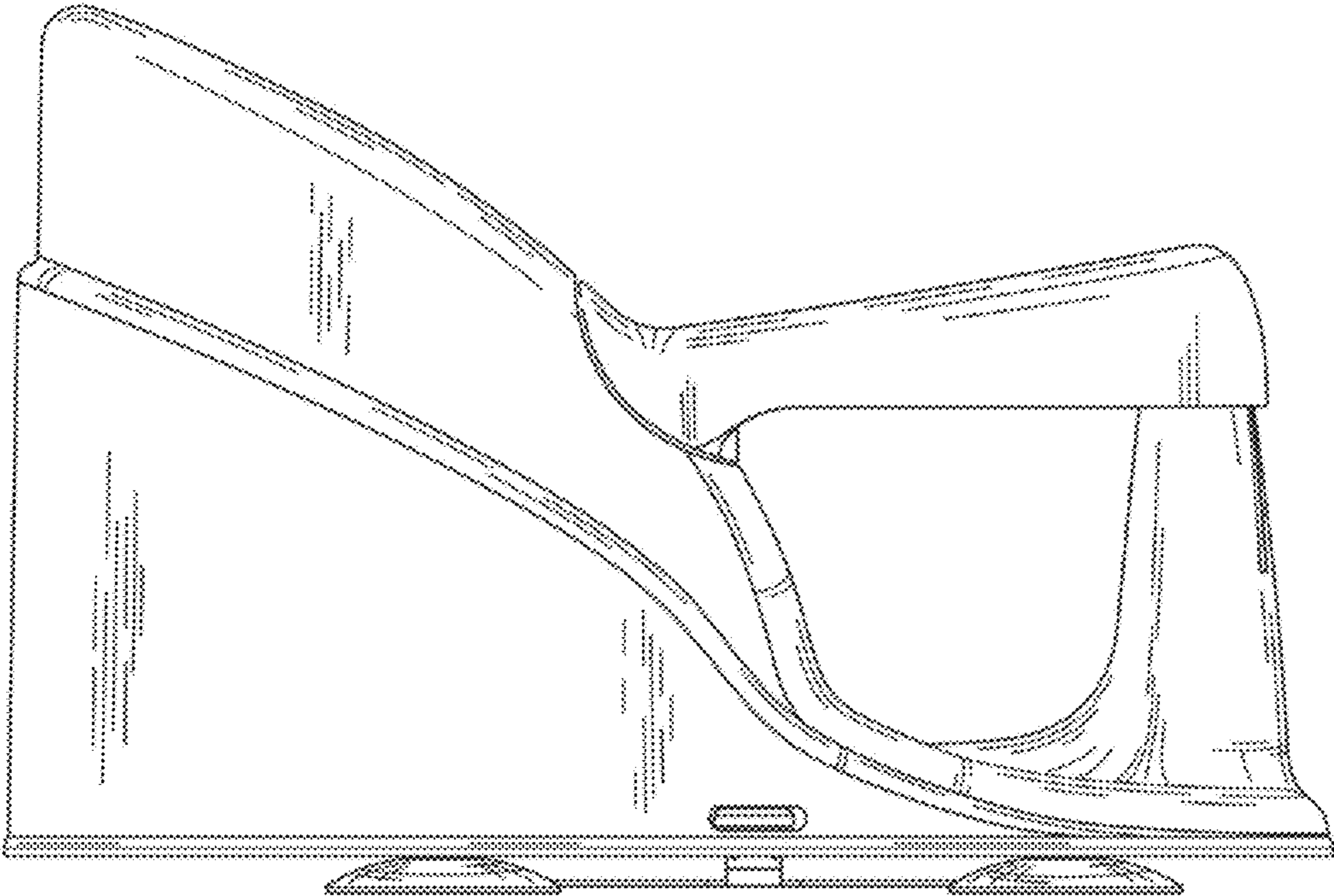


Fig. 4

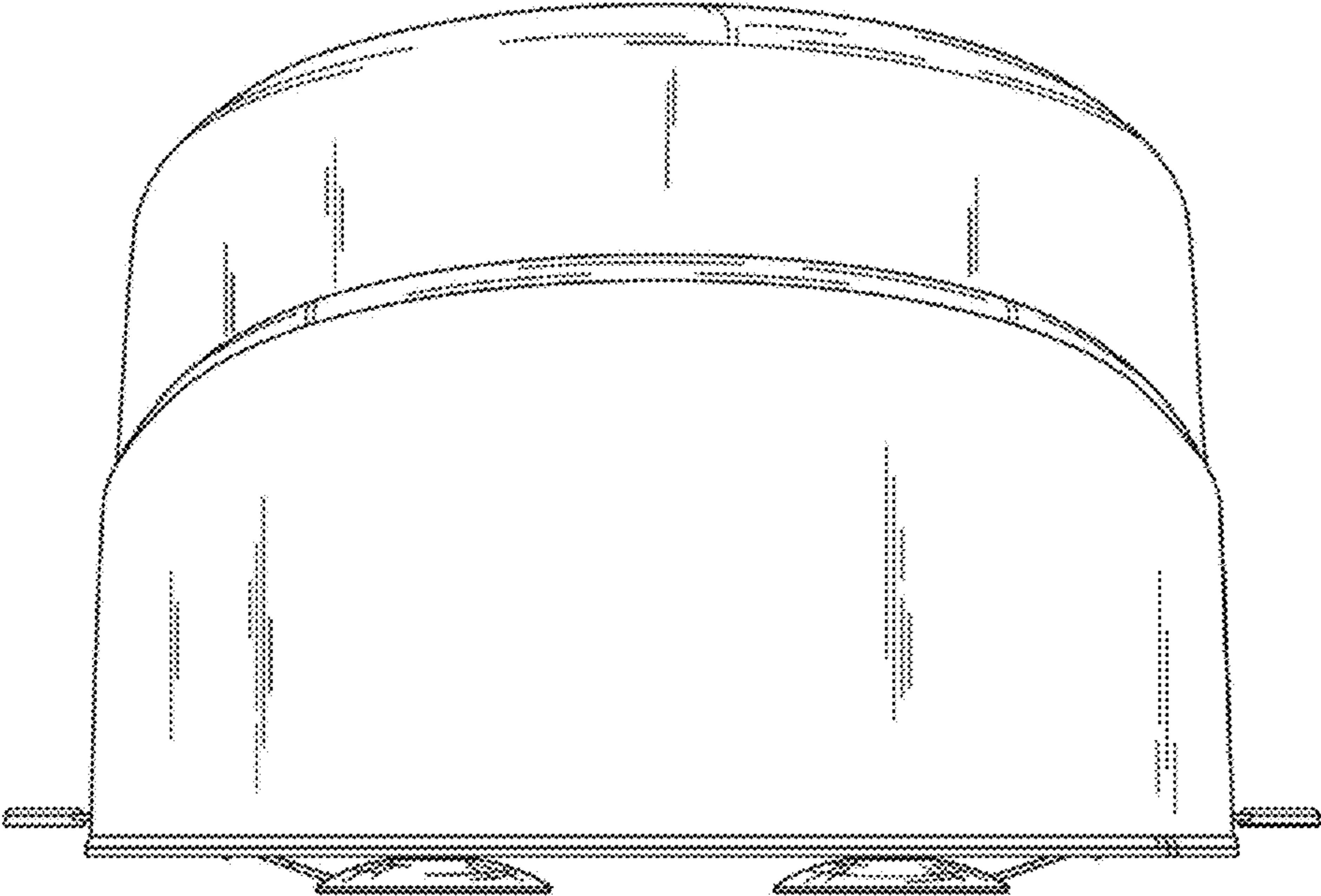


Fig. 5

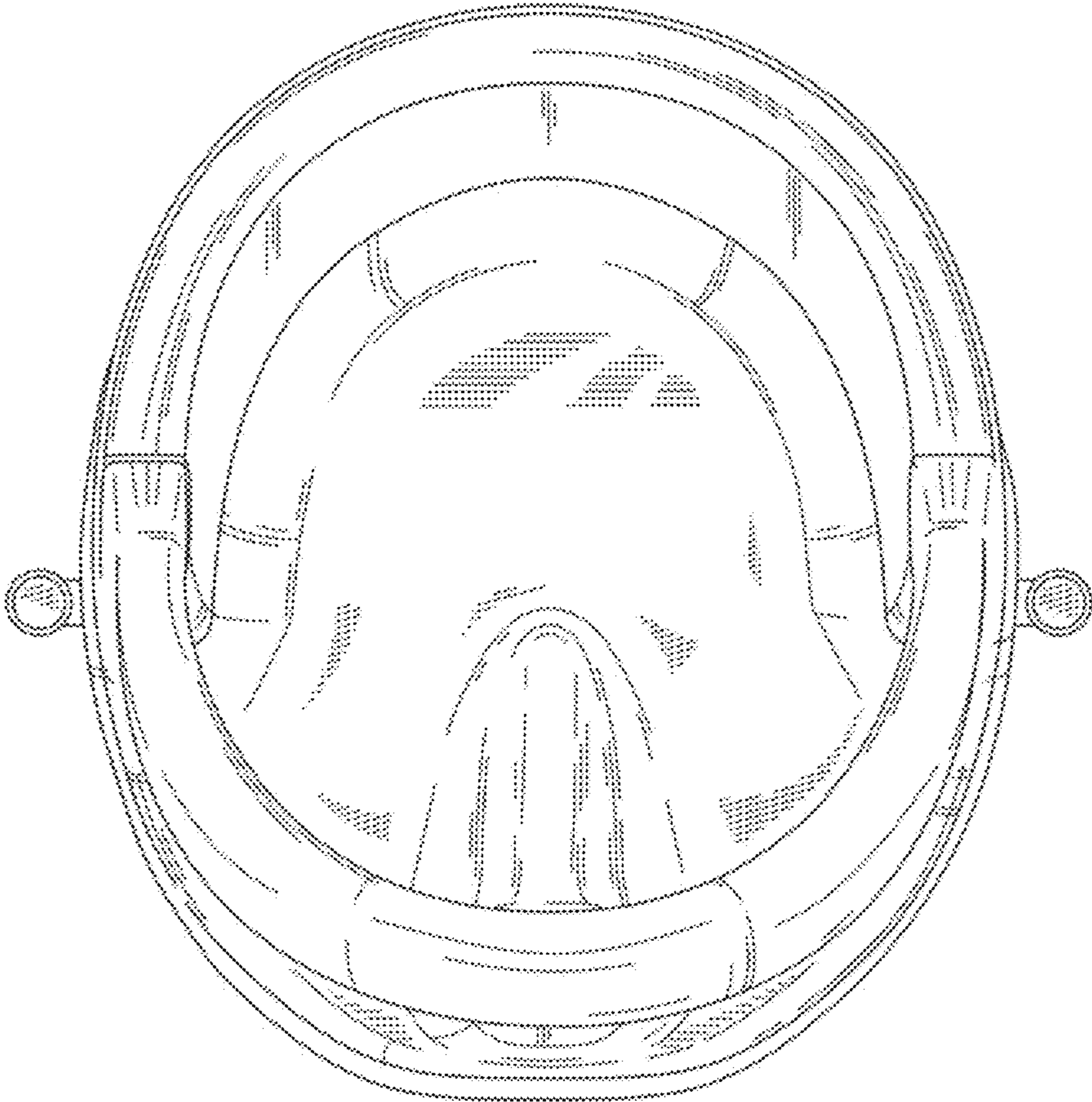


Fig. 6