



US00D924378S

(12) **United States Design Patent** (10) **Patent No.:** **US D924,378 S**  
**Vegso et al.** (45) **Date of Patent:** **\*\* Jul. 6, 2021**

(54) **NON-RETURN DEVICE VALVE MEMBER**

FOREIGN PATENT DOCUMENTS

(71) Applicant: **LaSalle Bristol Corporation**, Elkhart, IN (US)

DE 354929 6/1922  
DE 362324 10/1922

(Continued)

(72) Inventors: **Zsolt F. Vegso**, Culver, IN (US);  
**Douglas W. Mirth**, Avon, OH (US)

OTHER PUBLICATIONS

(73) Assignee: **LaSalle Bristol Corporation**, Elkhart, IN (US)

SEAFLO Valve & Components, Photographs, May 1, 2019, 5 pages.

(Continued)

(\*\*) Term: **15 Years**

*Primary Examiner* — Gino Colan

(21) Appl. No.: **29/717,600**

(74) *Attorney, Agent, or Firm* — Barnes & Thornburg LLP

(22) Filed: **Dec. 18, 2019**

(51) **LOC (13) Cl.** ..... **23-01**

(52) **U.S. Cl.**  
USPC ..... **D23/269**

(58) **Field of Classification Search**  
USPC ..... D23/233, 235, 241, 247, 248, 249, 259,  
D23/261, 269; 137/844, 512, 846, 847,  
137/850, 362  
CPC .... E03F 7/00; E03F 7/04; F16K 15/14; F16K  
15/147; F16K 27/00; F04B 53/10  
See application file for complete search history.

(57) **CLAIM**

We claim the ornamental design for a non-return device valve member, as shown and described.

**DESCRIPTION**

FIG. 1 is a perspective view of a non-return device valve member showing our new design.  
FIG. 2 is a Lop plan view of the non-return device valve member shown in FIG. 1.  
FIG. 3 is a bottom plan view of the non-return device valve member shown in FIG. 1.  
FIG. 4 is a right side view of the non-return device valve member shown in FIG. 1.  
FIG. 5 is a left side view of the non-return device valve member shown in FIG. 1.  
FIG. 6 is a front elevational view of the non-return device valve member shown in FIG. 1; and,  
FIG. 7 is a rear elevational view of the non-return device valve member shown in FIG. 1.  
The broken lines in the drawings are included for the purpose of illustrating portions of the non-return device valve member and form no part of the claimed design.

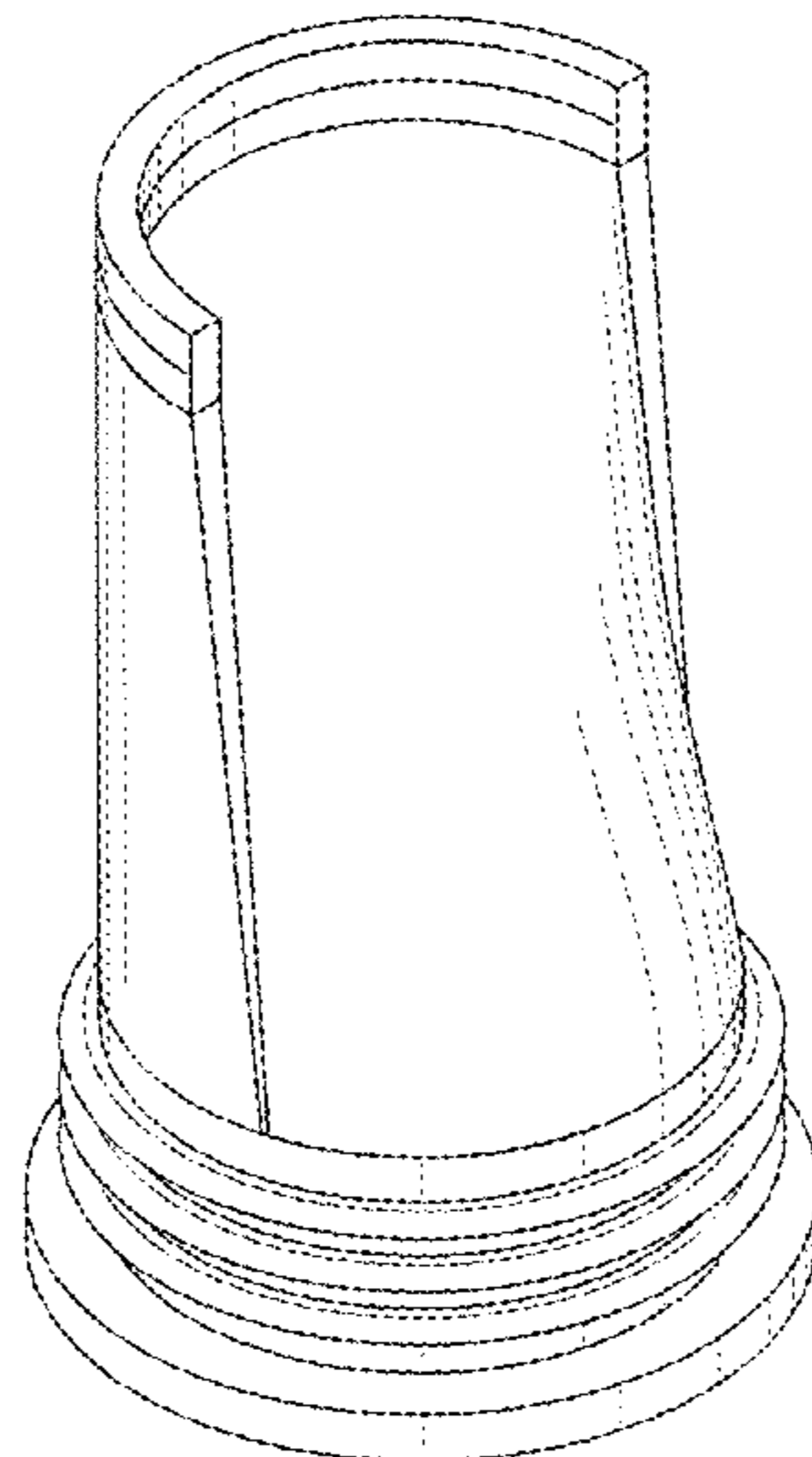
(56) **References Cited**

U.S. PATENT DOCUMENTS

15,192 A 6/1856 Peale  
171,817 A 1/1876 Kahl  
181,535 A 8/1876 Painter  
187,411 A 2/1877 Painter  
194,329 A 8/1877 Buhner  
197,993 A 12/1877 Buhner  
2,283,835 A 5/1942 Weaver  
2,805,846 A 9/1957 Dewan  
2,926,692 A 3/1960 Zillman et al.  
3,387,624 A \* 6/1968 Soucy ..... B65D 47/2037  
137/847  
3,789,871 A 2/1974 Tupper  
4,053,165 A 10/1977 Hartley  
4,072,328 A 2/1978 Elliott

(Continued)

**1 Claim, 4 Drawing Sheets**



(56)

**References Cited**

U.S. PATENT DOCUMENTS

4,173,362	A	11/1979	Glover et al.	
4,585,031	A	4/1986	Raftis et al.	
4,711,473	A	12/1987	Glover	
4,870,992	A	10/1989	Irwin et al.	
D354,801	S	1/1995	Grant et al.	
5,727,593	A	3/1998	Duer	
5,769,125	A	6/1998	Duer et al.	
5,881,772	A	3/1999	Benneu	
6,719,004	B2	4/2004	Huber et al.	
7,243,681	B2 *	7/2007	Dahm .....	E03C 1/298 137/843
7,390,316	B2	6/2008	McFarlane	
7,509,978	B1	3/2009	Currid	
D649,625	S *	11/2011	DeWitt .....	D23/269
8,141,587	B2	3/2012	Doig	
8,276,616	B2	10/2012	Wright et al.	
8,561,851	B1	10/2013	Leonoff	
D748,228	S *	1/2016	Bayyouk .....	D23/269
D777,300	S	1/2017	Grant et al.	
9,567,737	B2	2/2017	McAlpine et al.	
D787,029	S *	5/2017	Bayyouk .....	D23/269
D856,498	S *	8/2019	Bayyouk .....	D23/269

FOREIGN PATENT DOCUMENTS

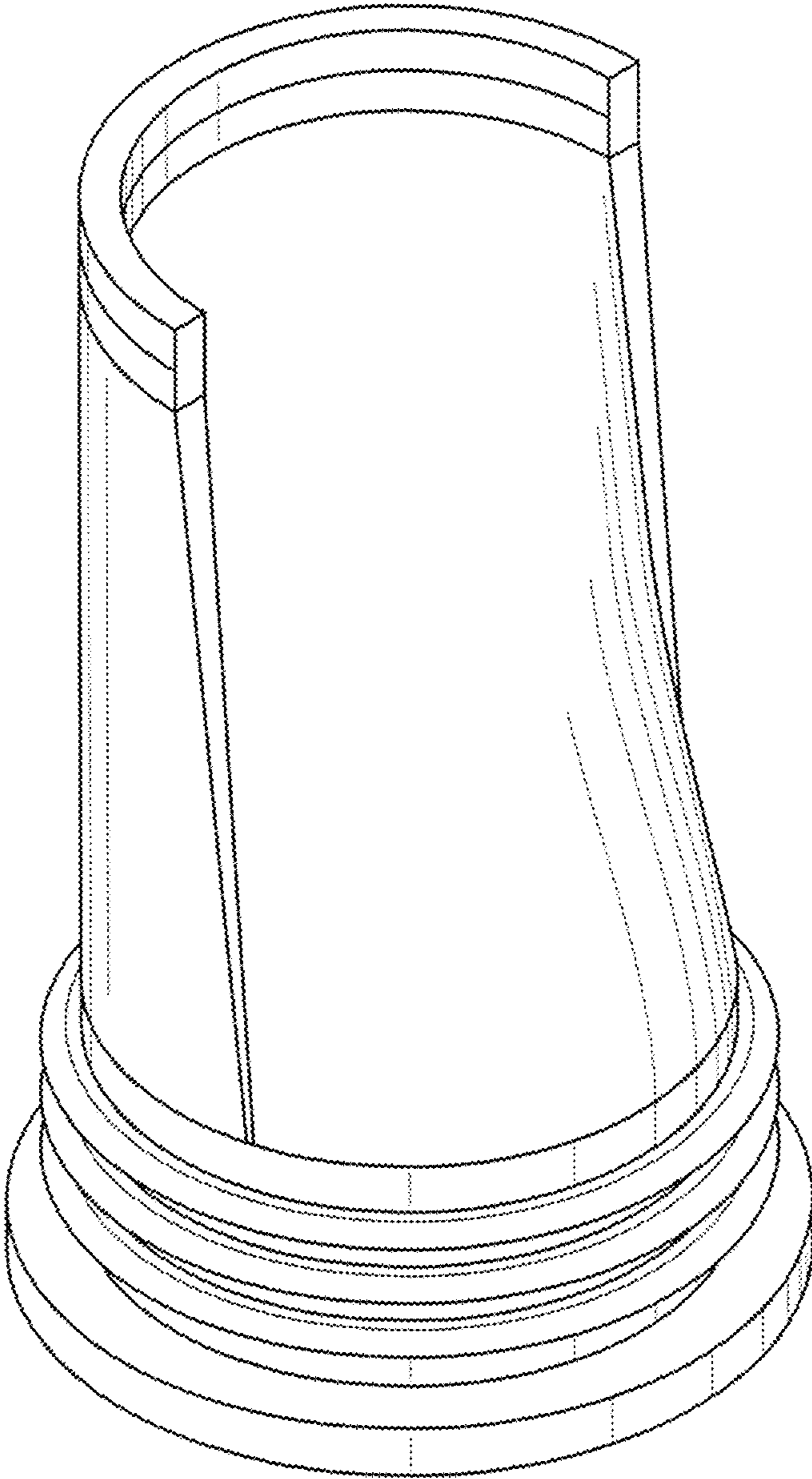
EP	1174549	A2	1/2002
EP	0941433	B1	9/2002

EP	1577450	A1	9/2005
FR	926765		10/1947
GB	1066508		4/1967
GB	1600743		10/1981
GB	2153048	A	8/1985
GB	2190466	A	11/1987
GB	2296309	A	6/1996
GB	2320310	A	6/1996
GB	2061474		12/1996
GB	2352496	A	1/2001
GB	2352497	A	1/2001
GB	2449364	A	11/2008
GB	2487957	A	8/2012
WO	WO-2012161634	A1	11/2012
WO	WO-2015171071	A1	11/2015
WO	WO-2017003159	A1	1/2017

OTHER PUBLICATIONS

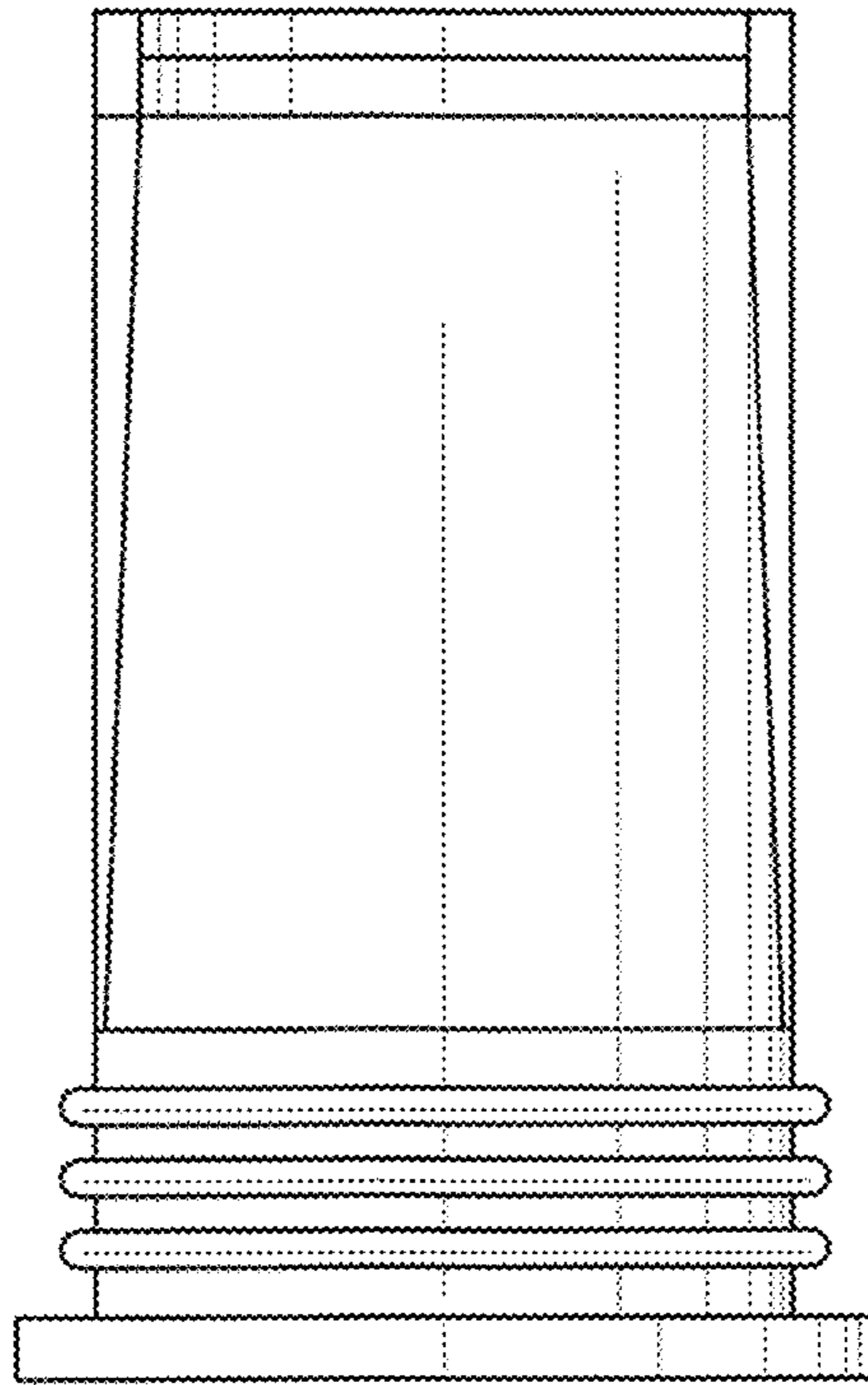
SEAFLO, Make Water Work for You, PVC Waste Valve, website,  
Apr. 19, 2019, [www.seaflo.com/en-us/product/detail/3230.html](http://www.seaflo.com/en-us/product/detail/3230.html), 3  
pages.

\* cited by examiner

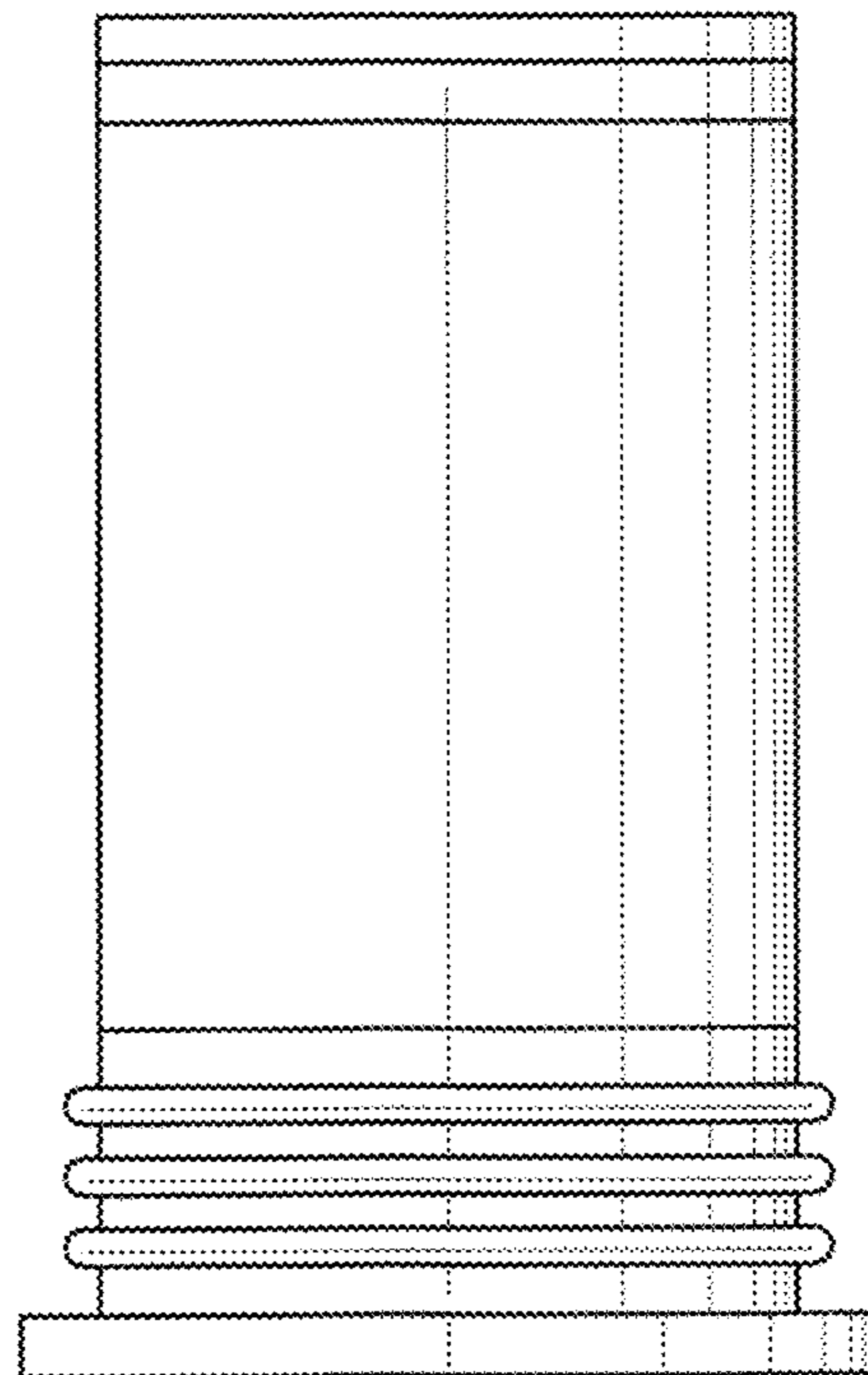


*FIG. 1*

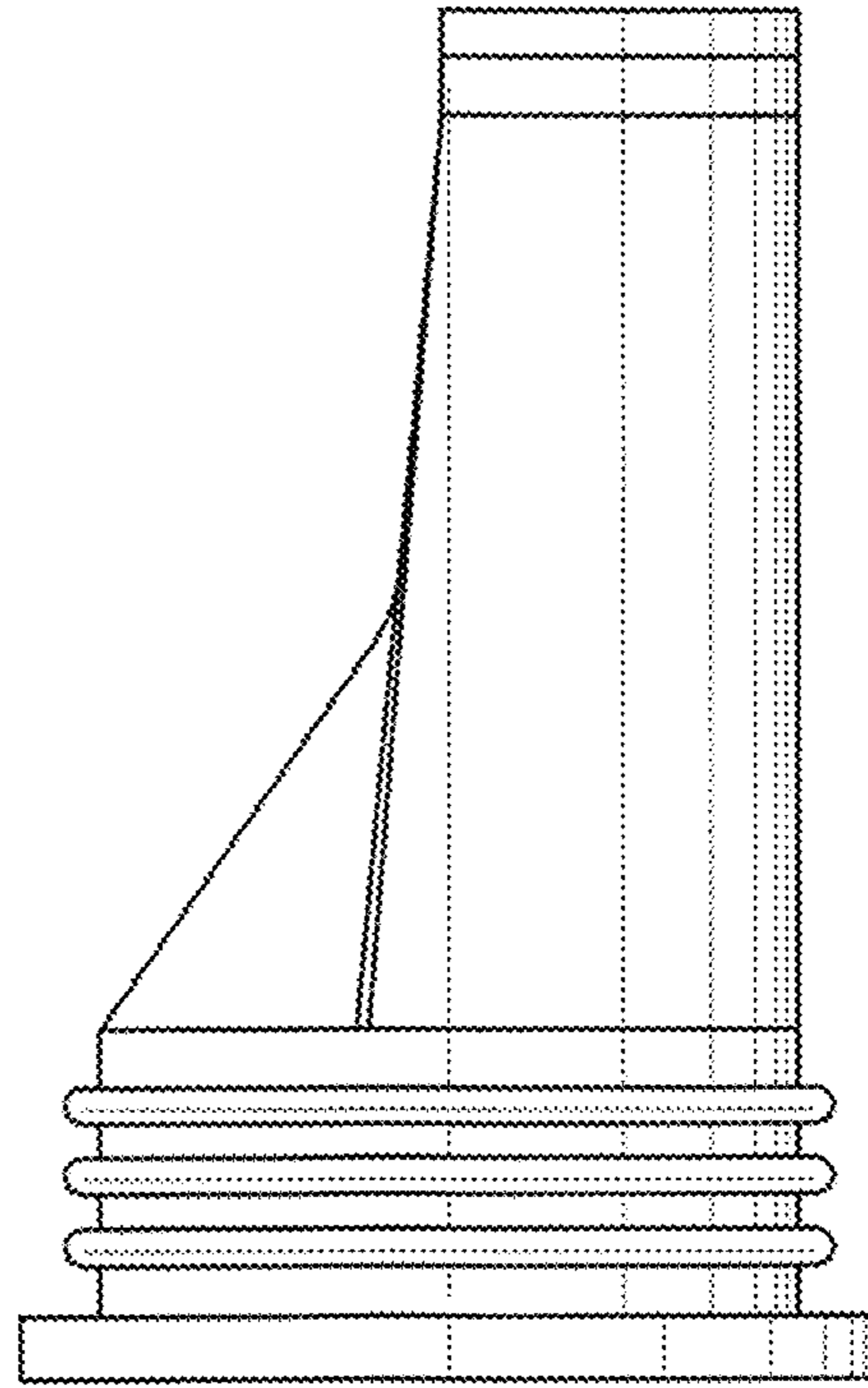
*FIG. 2*



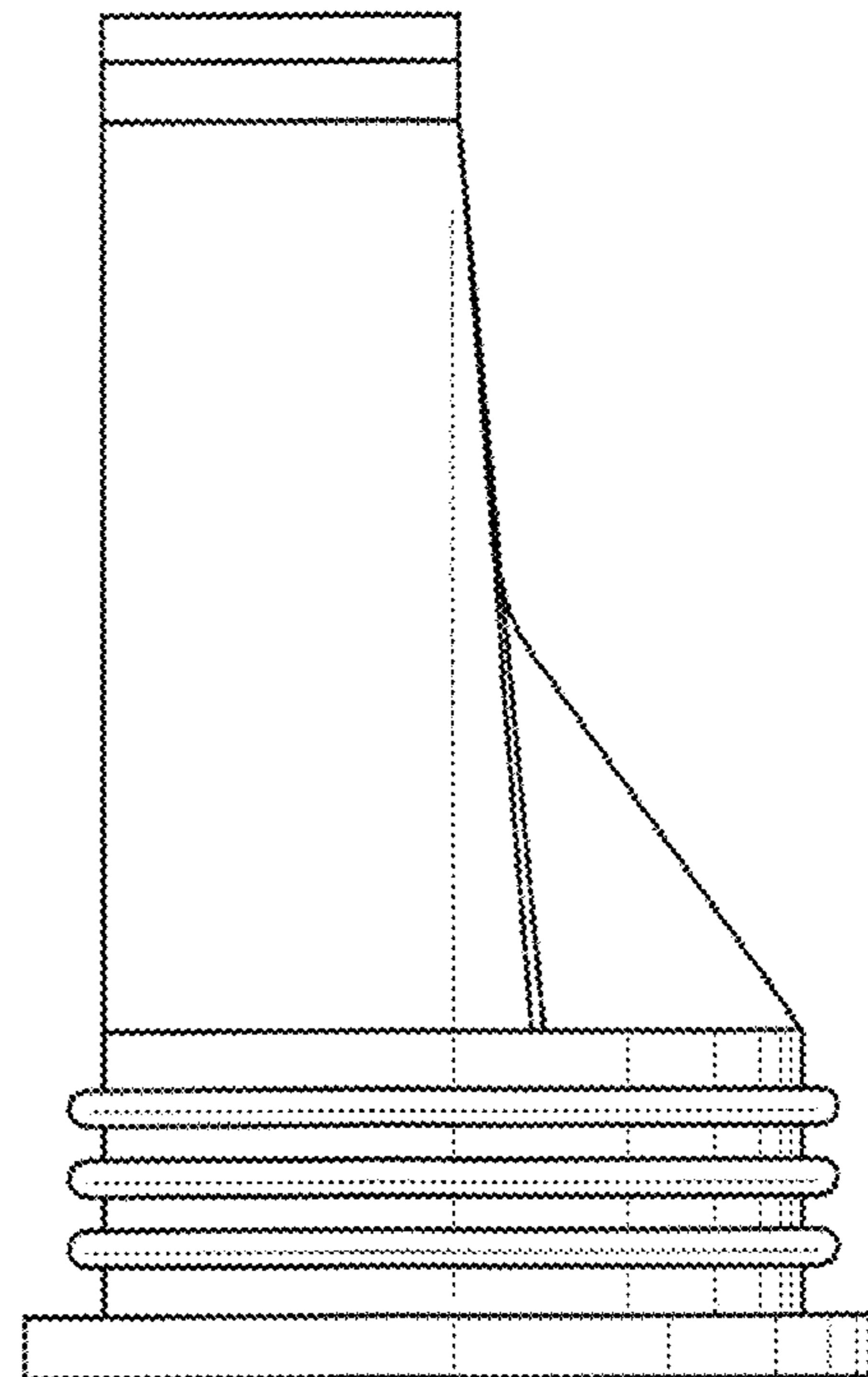
*FIG. 3*

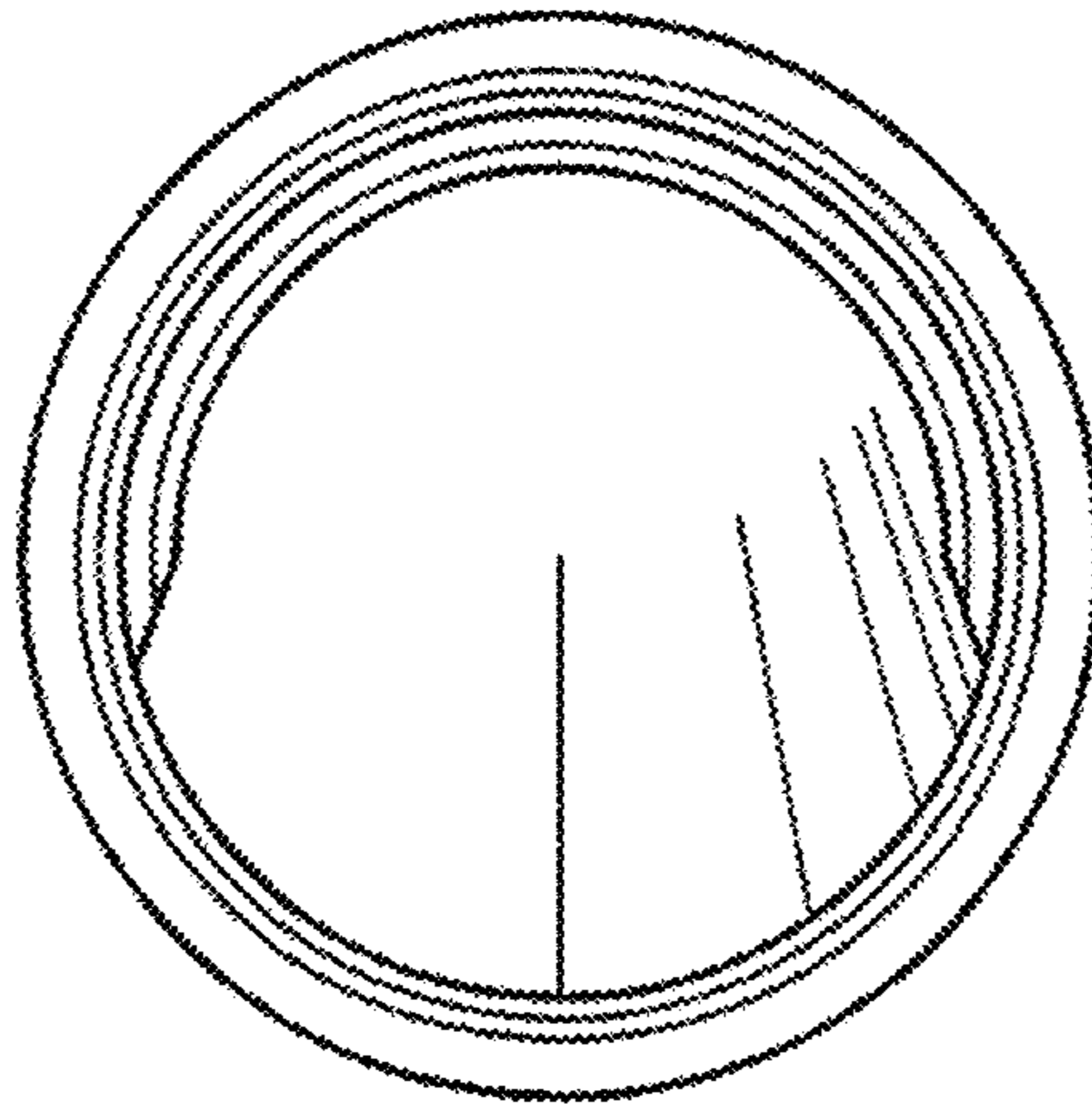


*FIG. 4*

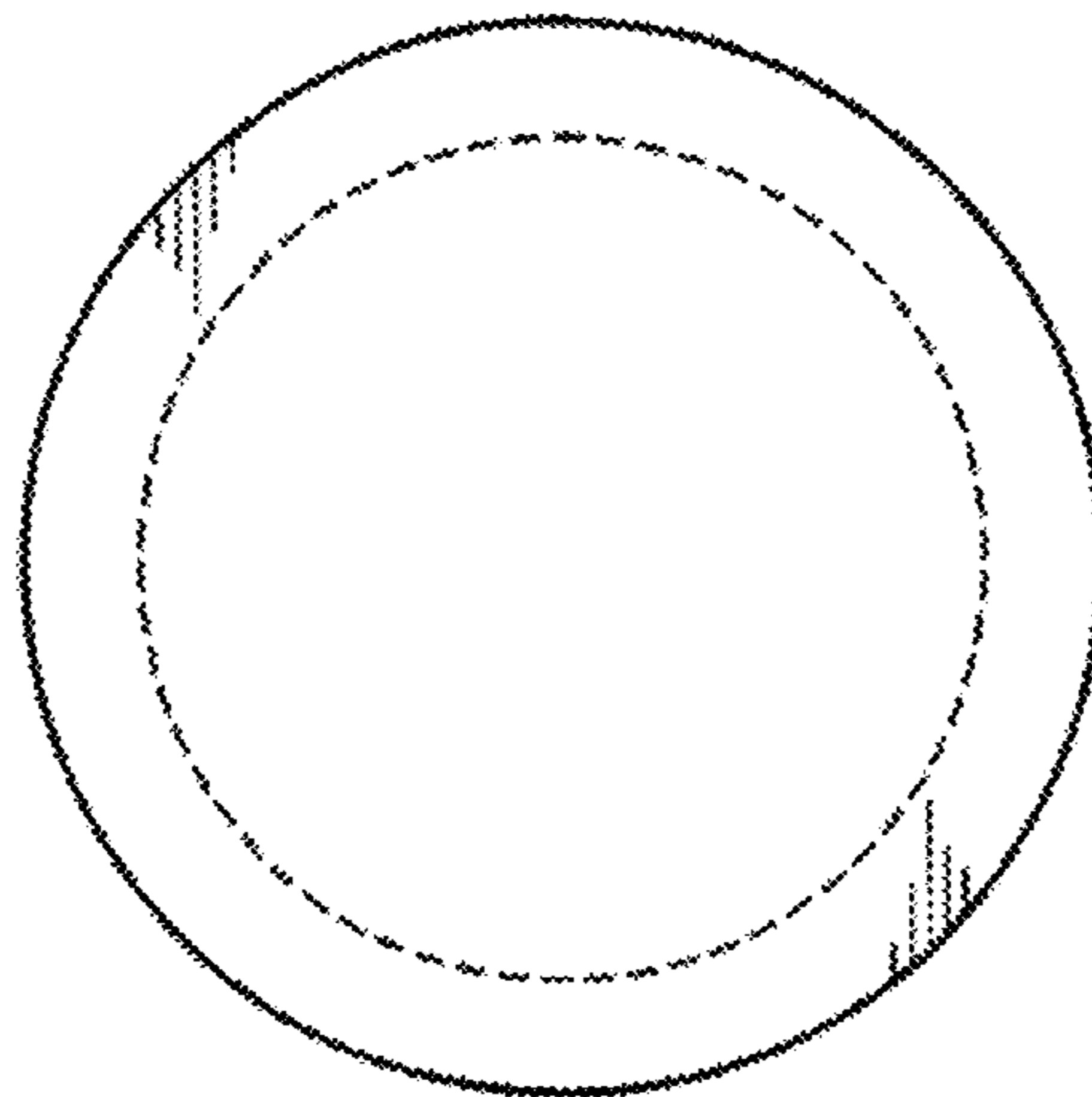


*FIG. 5*





*FIG. 6*



*FIG. 7*