

US00D924373S

(12) **United States Design Patent**  
**Hamasaki et al.**

(10) **Patent No.:** **US D924,373 S**  
(45) **Date of Patent:** **\*\* Jul. 6, 2021**

(54) **FITTING**

(71) Applicant: **SMC CORPORATION**, Tokyo (JP)

(72) Inventors: **Hitoshi Hamasaki**, Tsukubamirai (JP);  
**Kenji Sakairi**, Tsukubamirai (JP)

(73) Assignee: **SMC CORPORATION**, Tokyo (JP)

(\*\*) Term: **15 Years**

(21) Appl. No.: **29/726,635**

(22) Filed: **Mar. 4, 2020**

(30) **Foreign Application Priority Data**

Sep. 5, 2019 (CN) ..... 201930487716.2

(51) **LOC (13) Cl.** ..... **23-01**

(52) **U.S. Cl.**  
USPC ..... **D23/259**

(58) **Field of Classification Search**  
USPC ..... 137/551-552, 798; 251/331; D23/213,  
D23/233, 235, 264-265, 249, 259-262,  
D23/266; 285/91, 345, 377, 388, 390,  
285/16, 45, 148.22, 148.26, 244, 384,  
285/395, 420, 189, 53, 148.2, 239, 316,  
285/321, 338, 347, 369, 417; D24/112,  
D24/108, 110.6, 113, 130, 127, 129;  
D13/133, 154-156, 151; 138/109, 28;  
604/535, 533, 538

CPC ..... F16L 11/00  
See application file for complete search history.

(56) **References Cited**

**U.S. PATENT DOCUMENTS**

D412,738 S \* 8/1999 Kuwabara ..... D23/233  
D441,436 S \* 5/2001 Chao ..... D23/262  
D457,604 S \* 5/2002 Chen ..... D23/262  
D473,633 S \* 4/2003 Chun-Lee ..... D23/262  
D570,457 S \* 6/2008 Brown ..... D23/262

D608,424 S 1/2010 Katsuta et al.  
D613,372 S \* 4/2010 Zore ..... D23/233  
D613,373 S \* 4/2010 Zore ..... D23/233  
D627,038 S \* 11/2010 Yu ..... D23/260  
D627,039 S \* 11/2010 Yu ..... D23/260  
D662,059 S \* 6/2012 Amidon ..... D13/151

(Continued)

*Primary Examiner* — Amy C Wierenga

(74) *Attorney, Agent, or Firm* — Birch, Stewart, Kolasch  
& Birch LLP

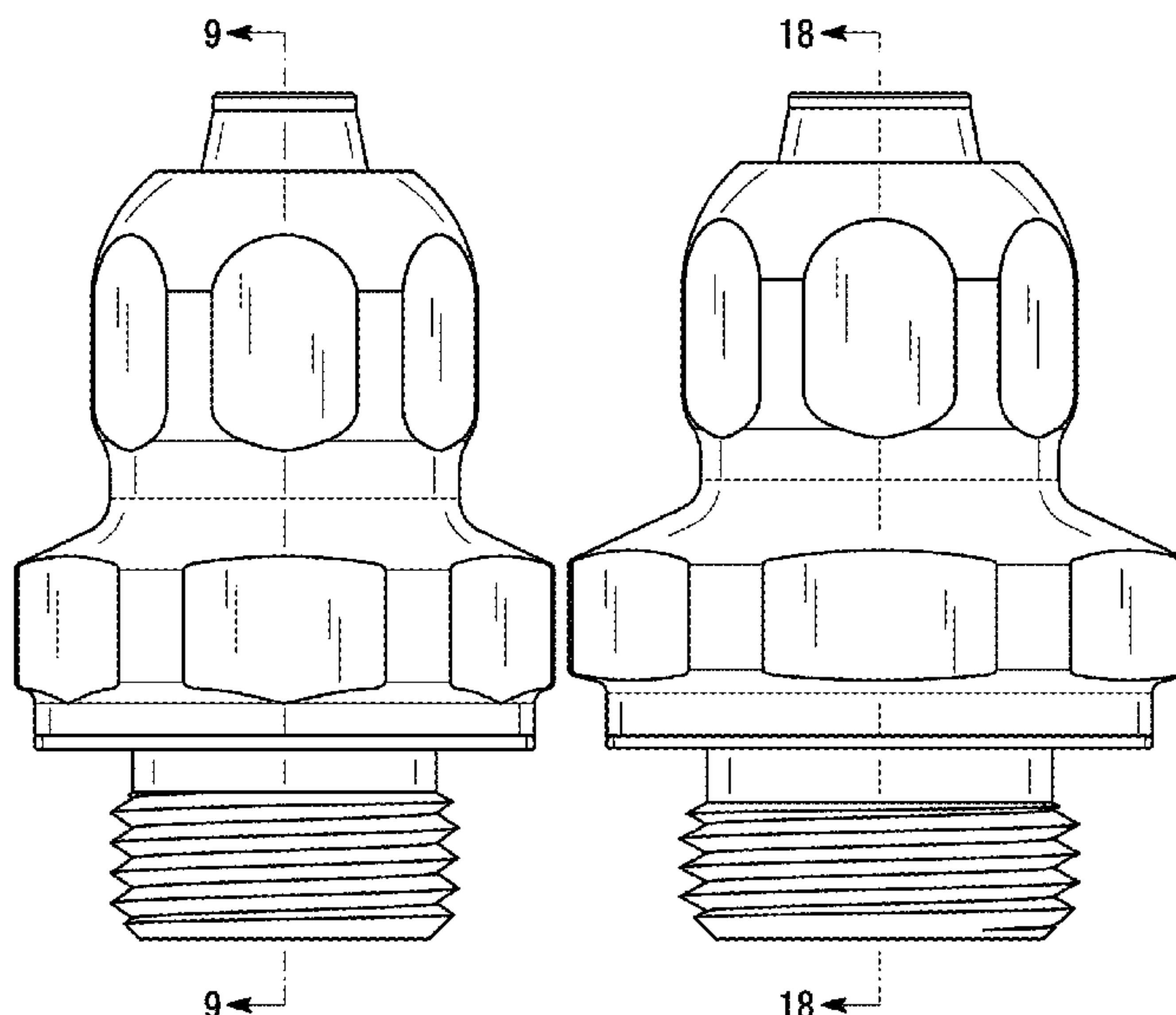
(57) **CLAIM**

The ornamental design for a fitting, as shown and described.

**DESCRIPTION**

FIG. 1 is a front, top and left side perspective view of a fitting showing a first embodiment of our new design; FIG. 2 is a bottom, rear and left side perspective view thereof; FIG. 3 is a front view thereof; FIG. 4 is a rear view thereof; FIG. 5 is a top plan view thereof; FIG. 6 is a bottom plan view thereof; FIG. 7 is a left side view thereof; FIG. 8 is a right side view thereof; FIG. 9 is a sectional view taken along the line 9-9 of FIG. 3; FIG. 10 is a front, top and left side perspective view of a fitting showing a second embodiment of our new design; FIG. 11 is a bottom, rear and left side perspective view of FIG. 10; FIG. 12 is a front view of FIG. 10; FIG. 13 is a rear view of FIG. 10; FIG. 14 is a top plan view of FIG. 10; FIG. 15 is a bottom plan view of FIG. 10; FIG. 16 is a left side view of FIG. 10; FIG. 17 is a right side view of FIG. 10; and, FIG. 18 is a sectional view taken along the line 18-18 of FIG. 12.

**1 Claim, 18 Drawing Sheets**



(56)

**References Cited**

U.S. PATENT DOCUMENTS

D709,834 S *	7/2014	Liu .....	D13/151
D717,406 S *	11/2014	Stanley .....	D23/259
D719,244 S *	12/2014	Yang .....	D23/262
D725,747 S *	3/2015	Alexander .....	D23/233
D760,363 S	6/2016	Yang	
D761,630 S *	7/2016	Li .....	D8/29
D781,787 S	3/2017	Spiel	
9,709,194 B1 *	7/2017	Pan .....	F16L 11/20
D829,670 S *	10/2018	Nguyen .....	D13/154
D830,312 S	10/2018	Nguyen et al.	
D832,094 S *	10/2018	Omori .....	D8/397
D834,688 S	11/2018	Khubani	
D879,250 S *	3/2020	Glaser .....	D23/233
2002/0133124 A1 *	9/2002	Leinsing .....	A61M 39/26 604/256

\* cited by examiner

FIG. 1

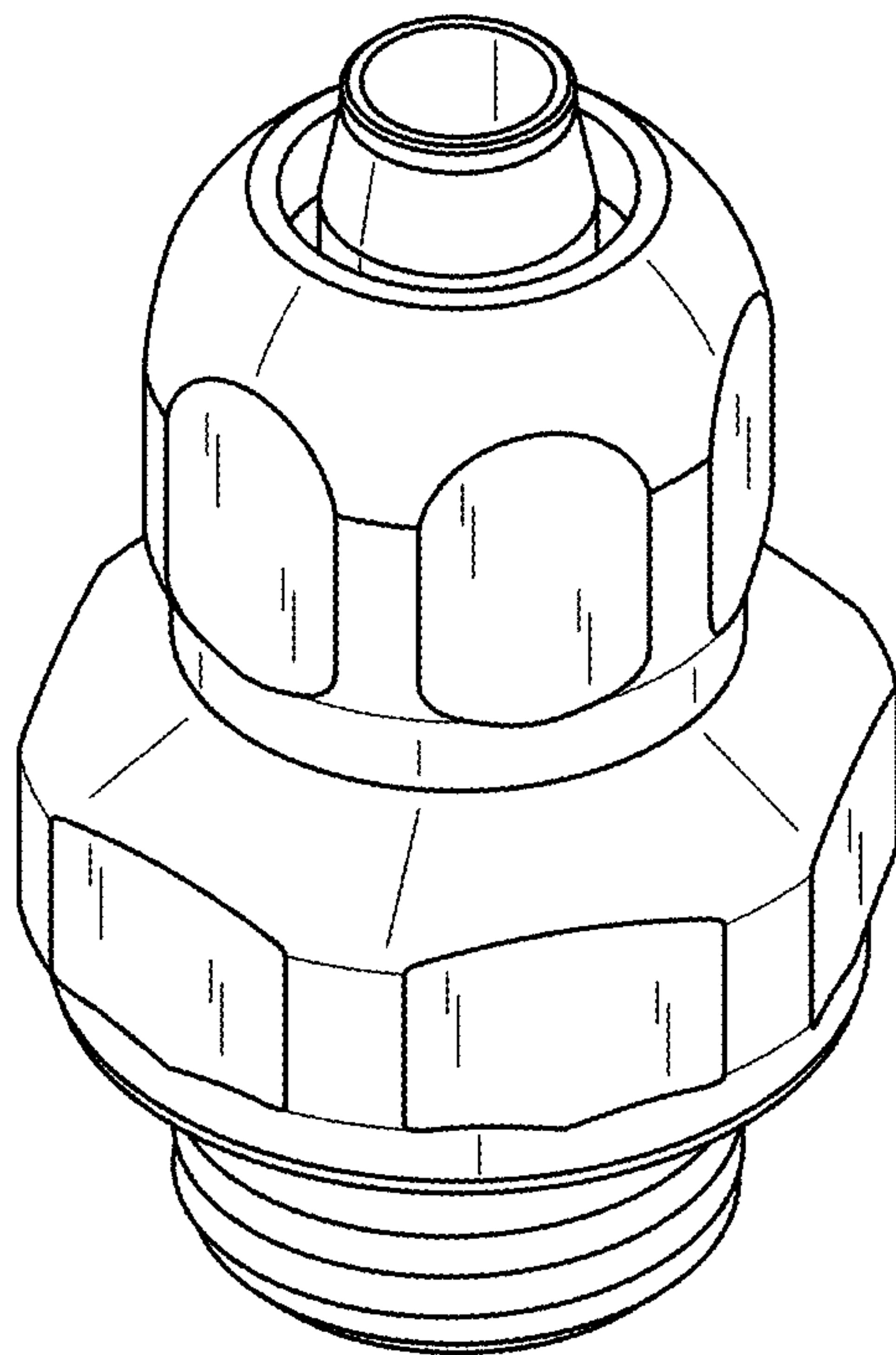


FIG. 2

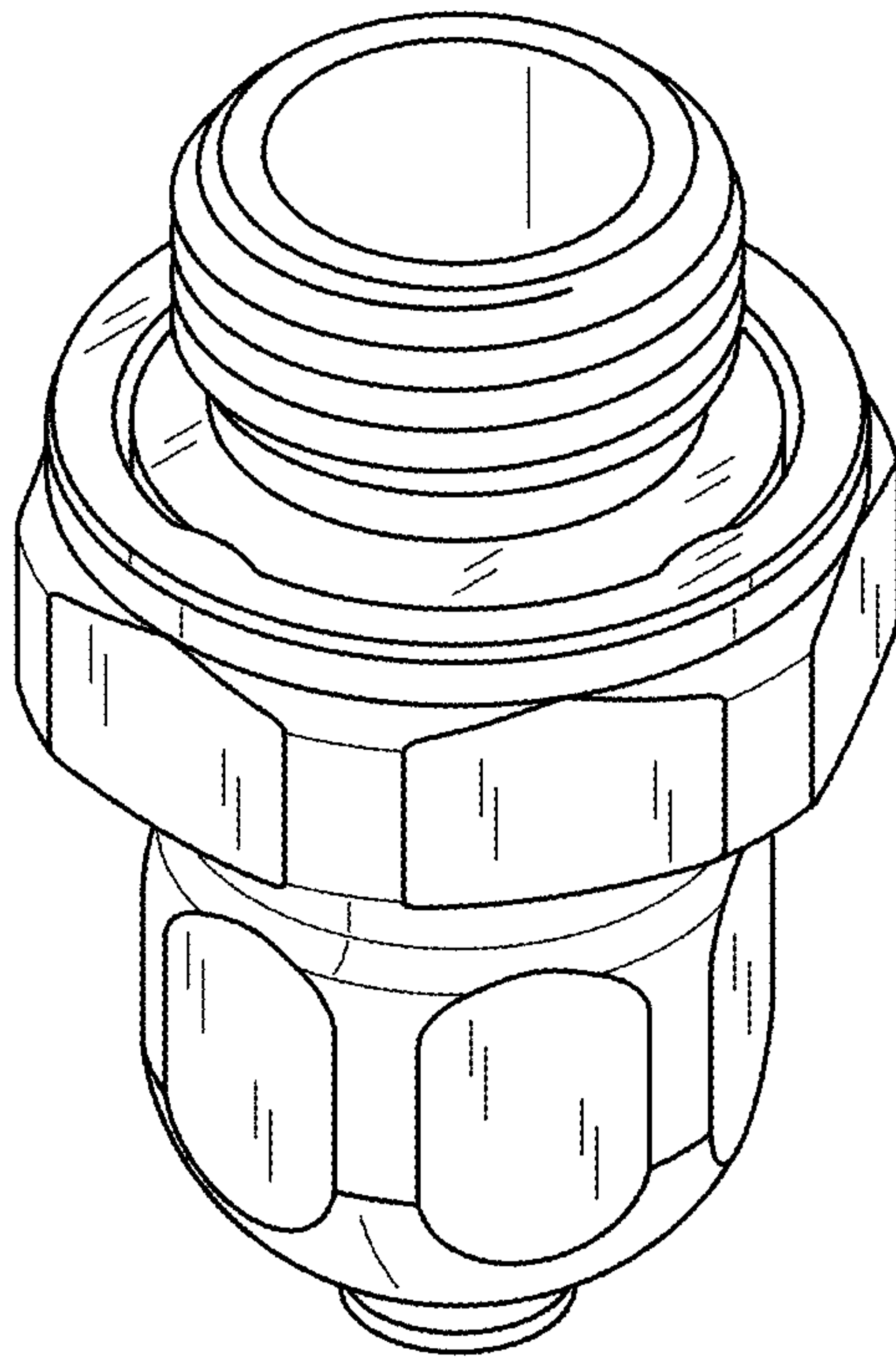


FIG. 3

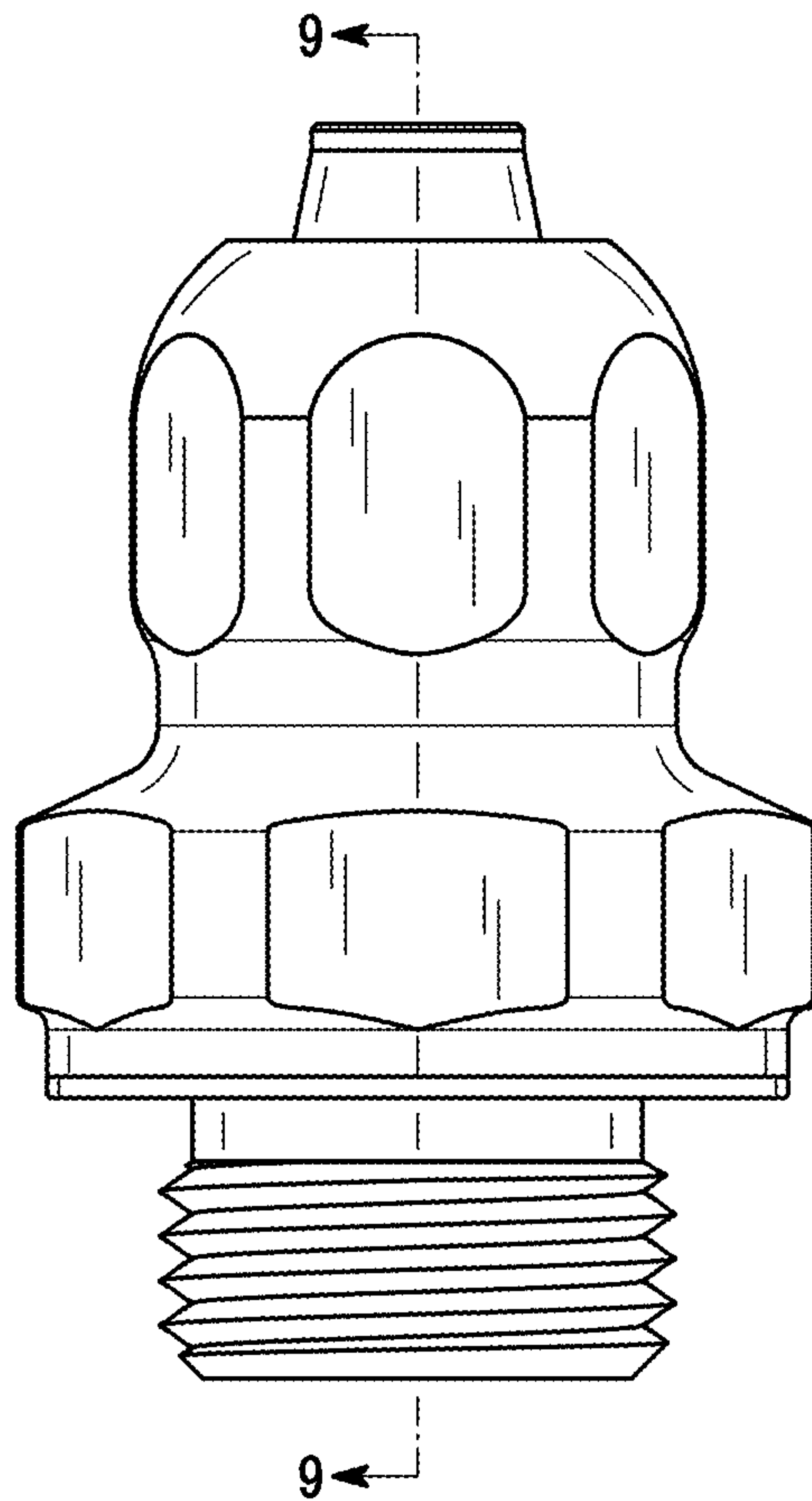


FIG. 4

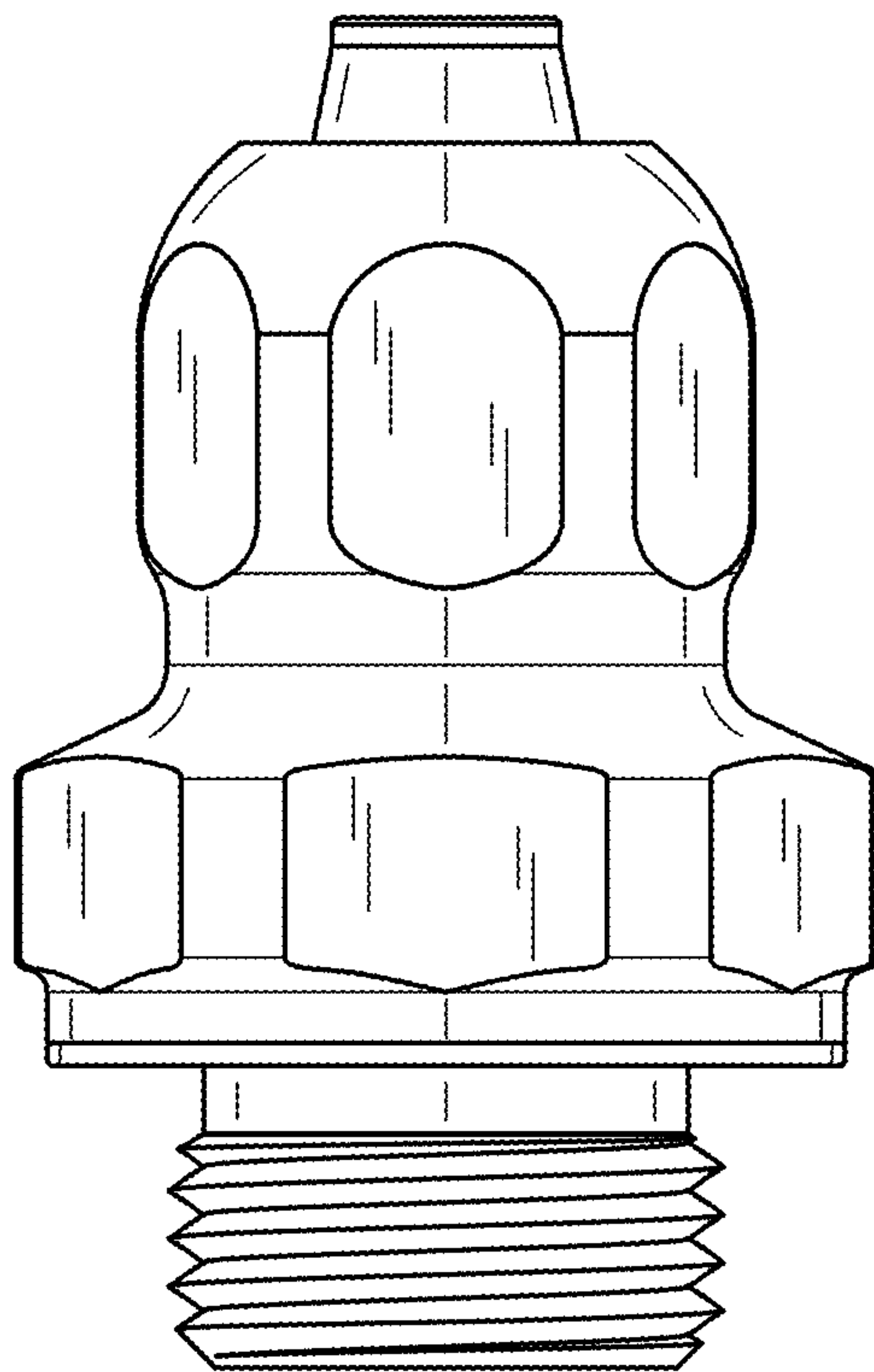


FIG. 5

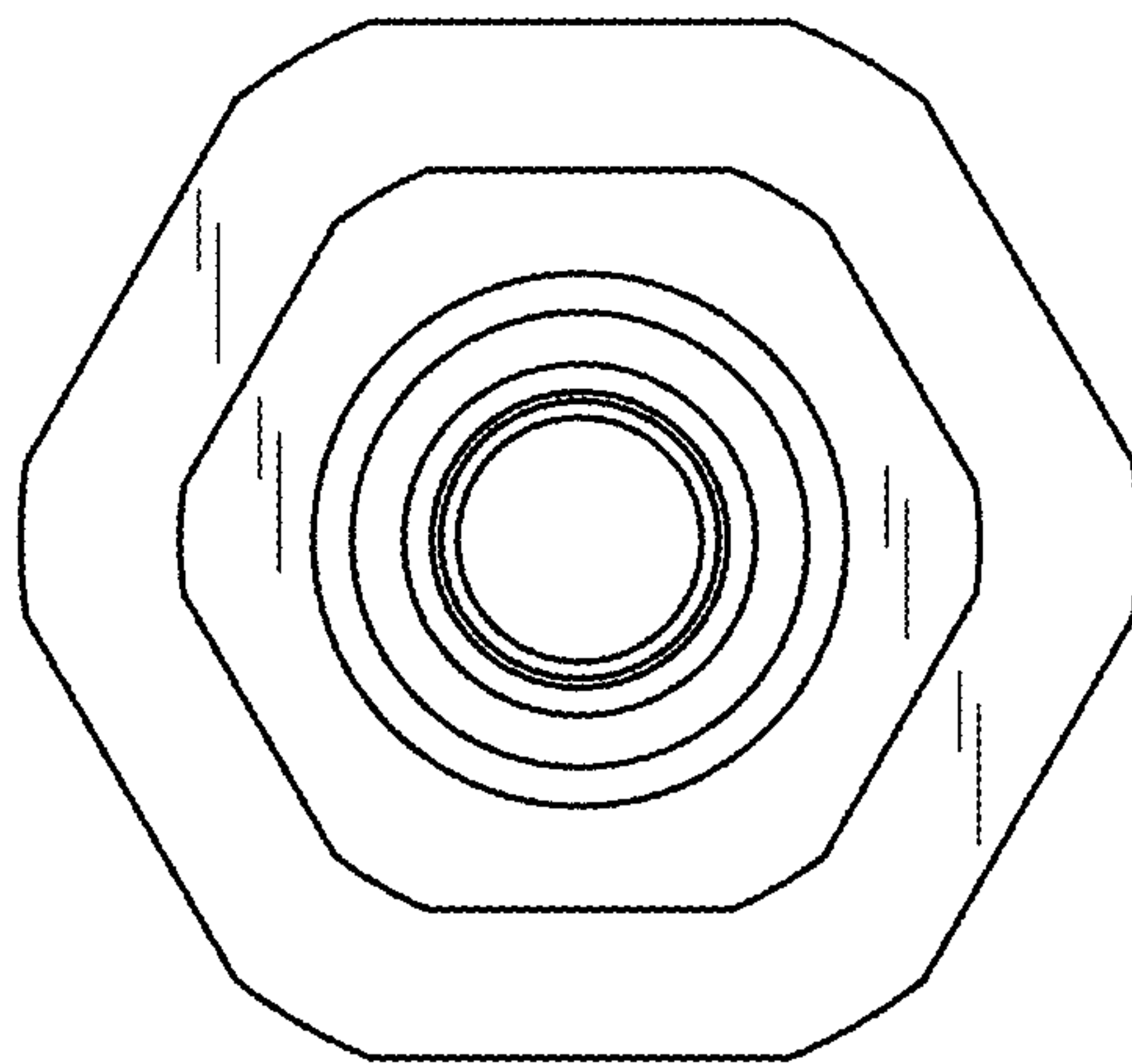




FIG. 6

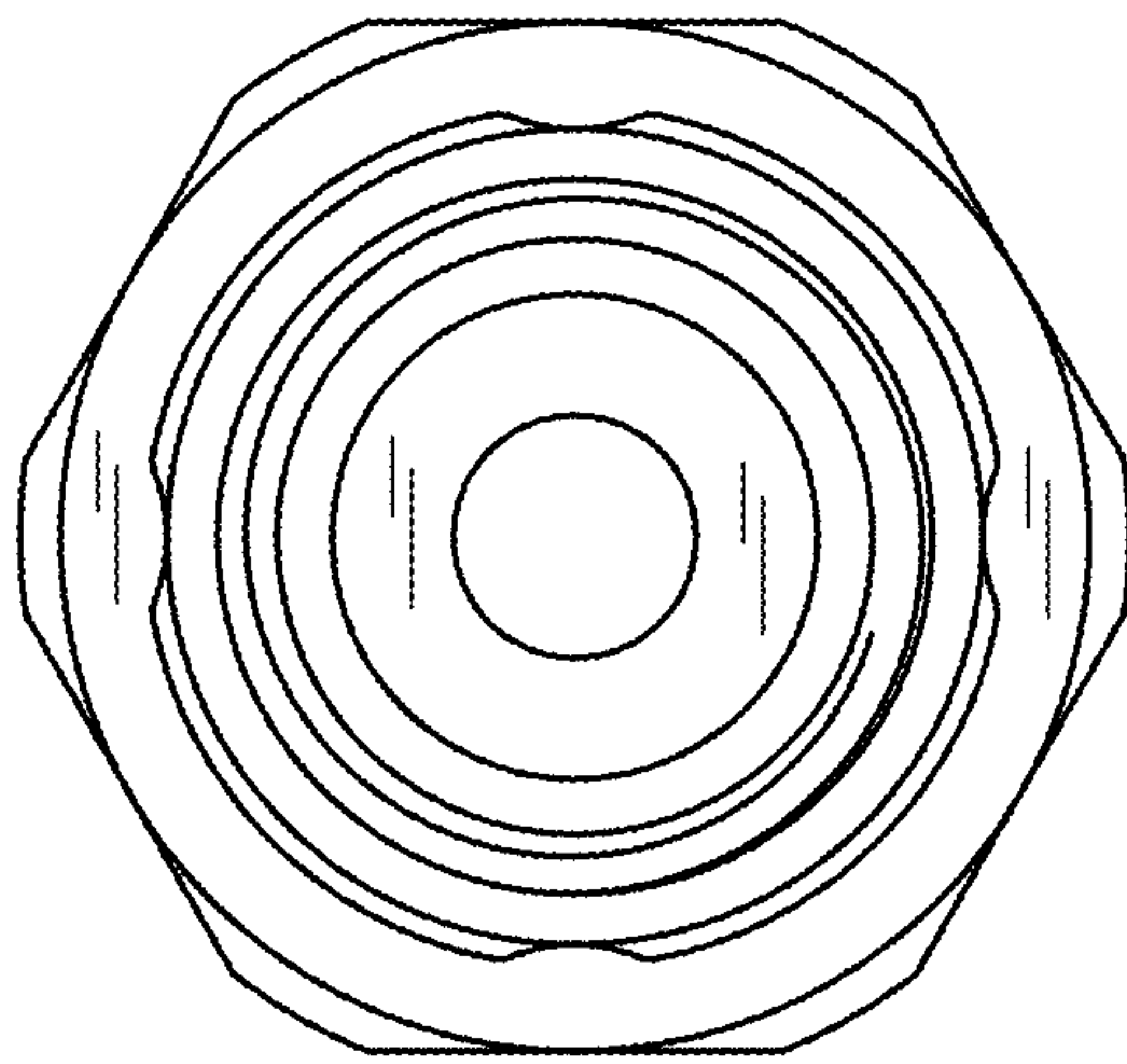




FIG. 7

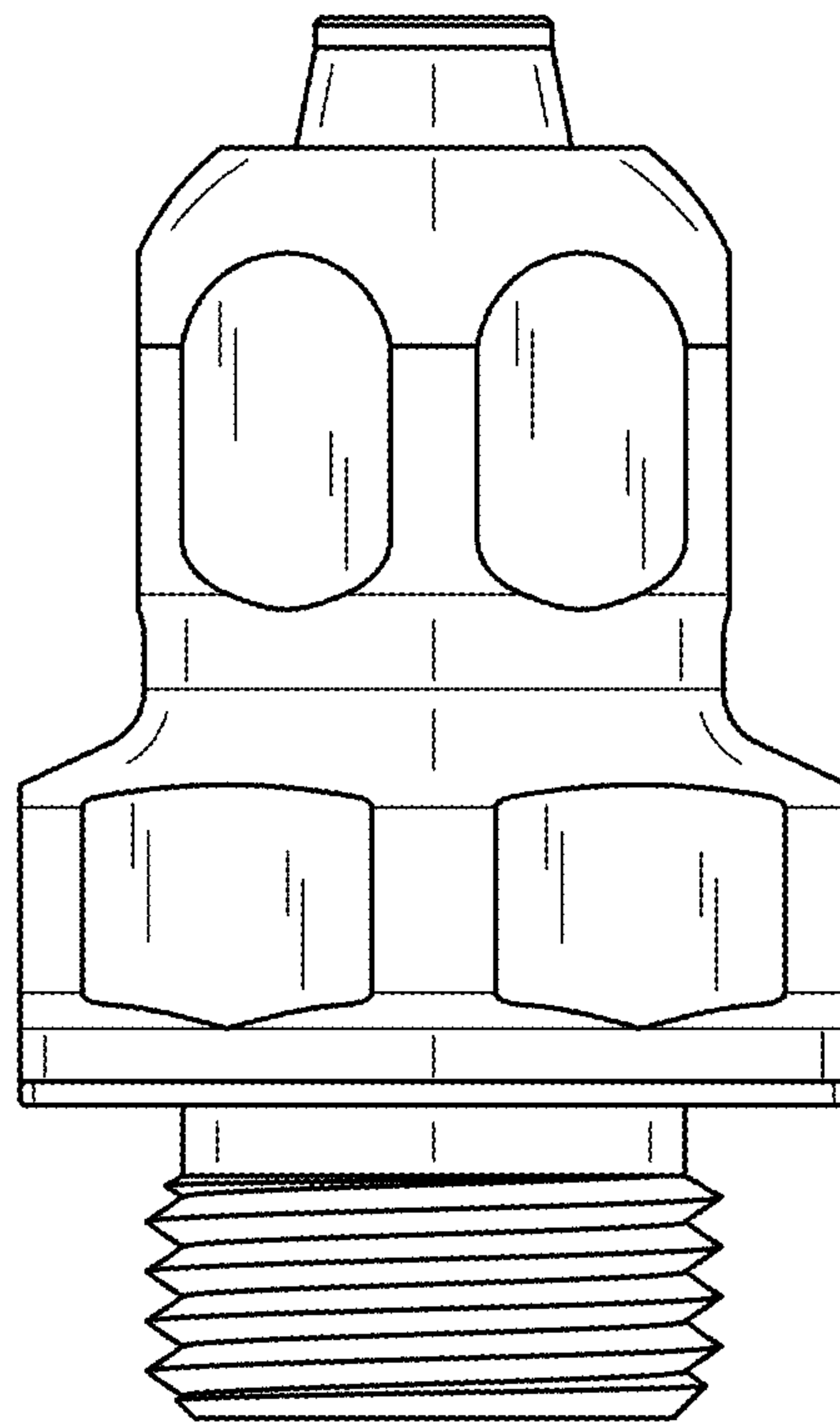


FIG. 8

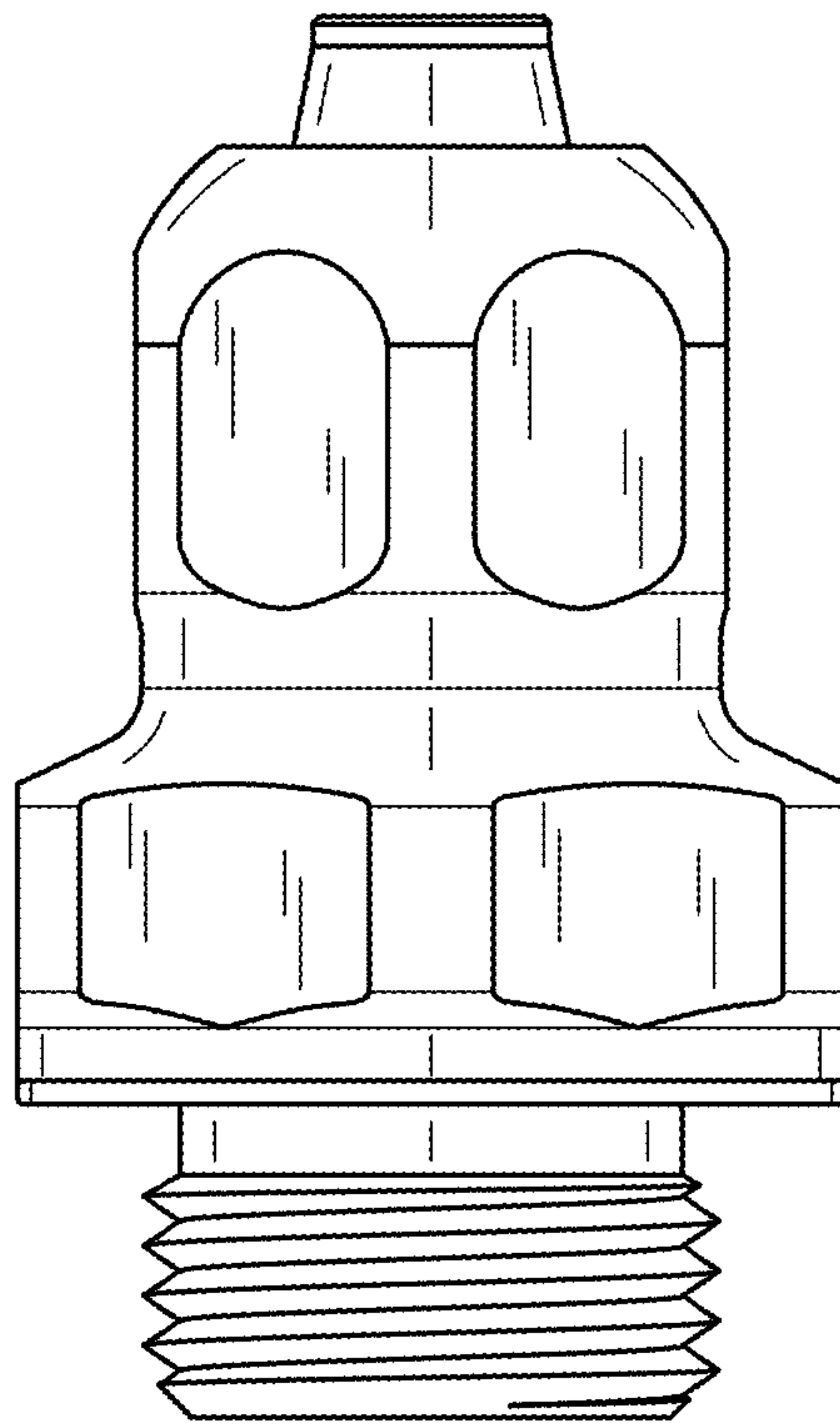


FIG. 9

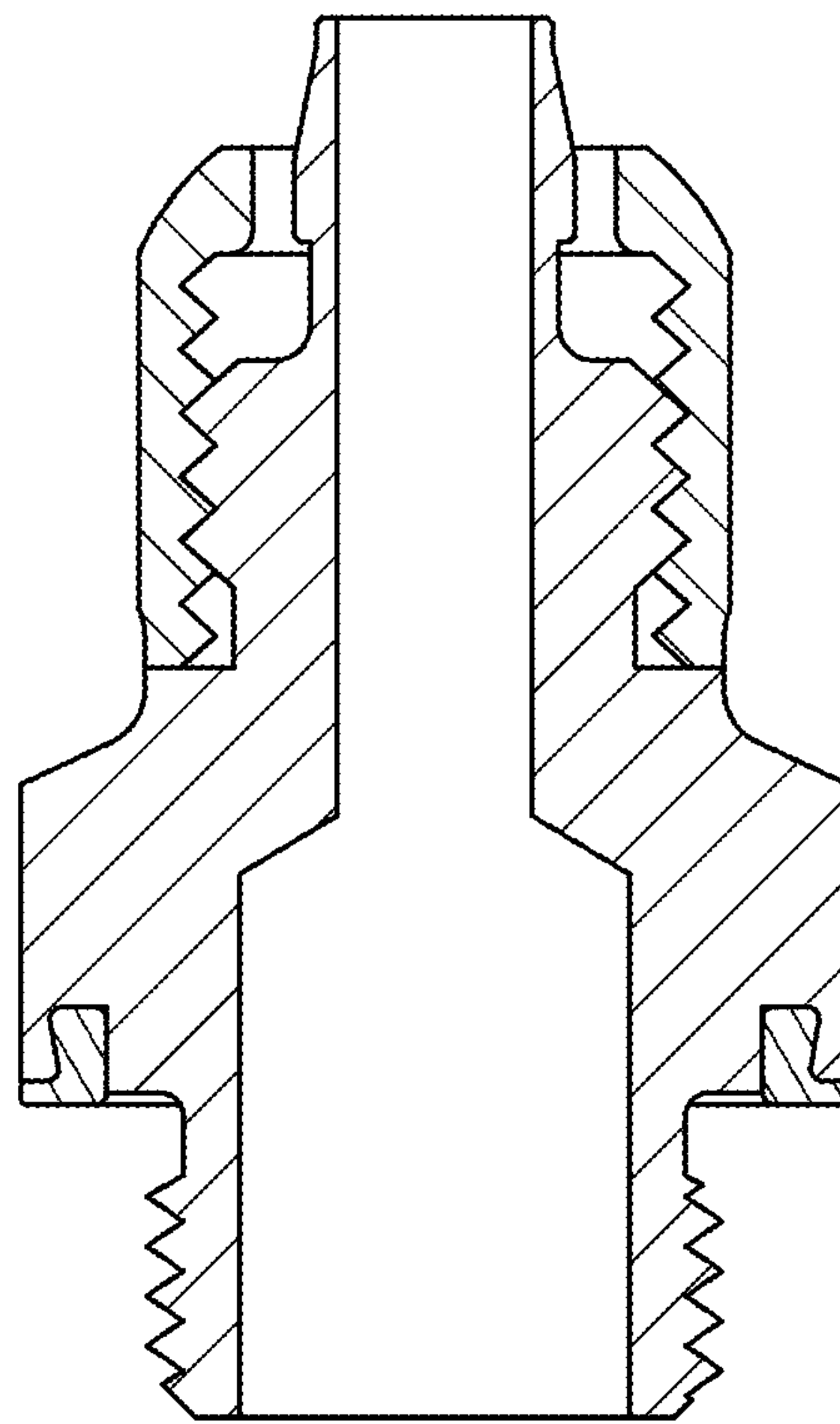


FIG. 10

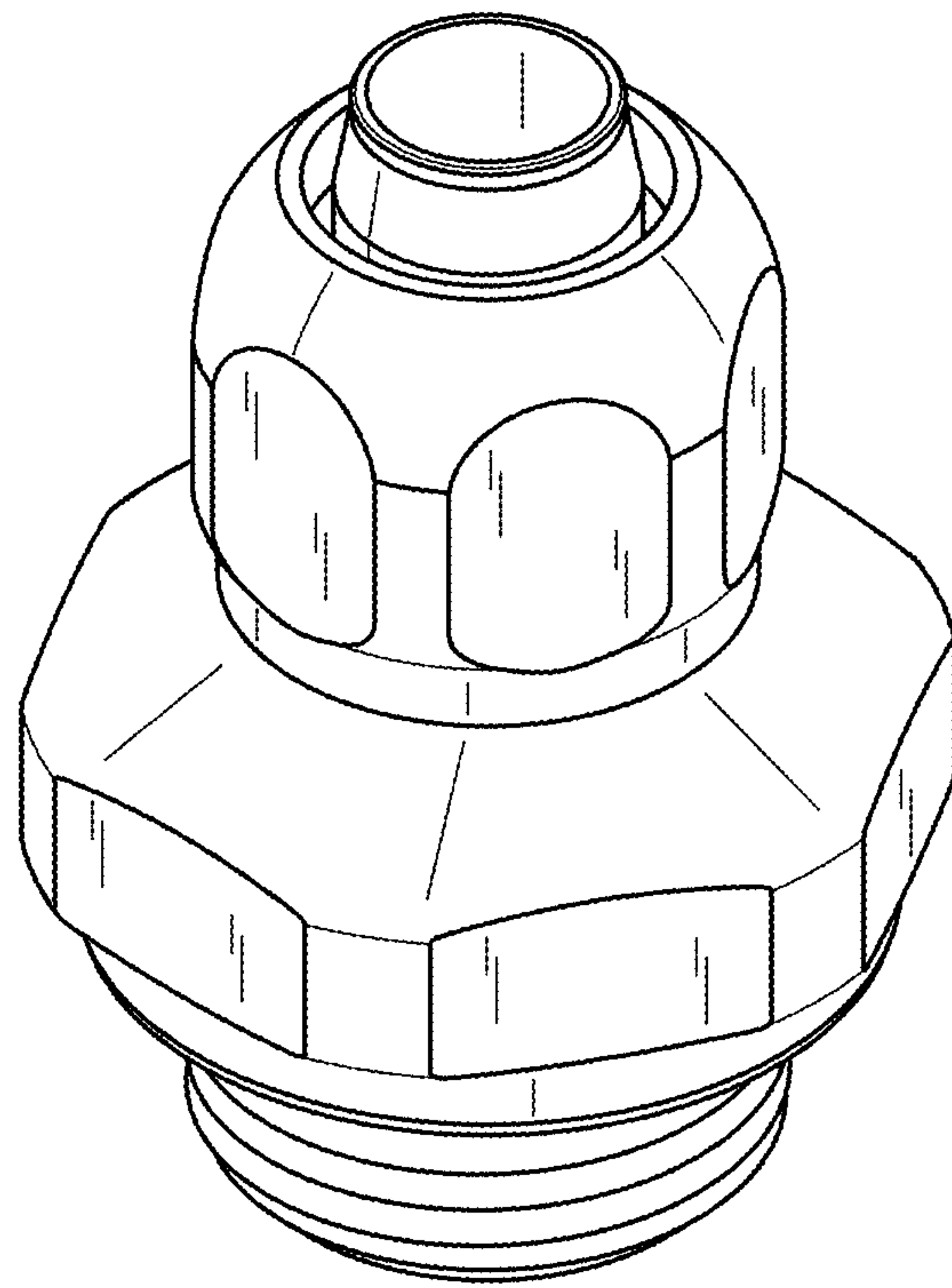


FIG. 11

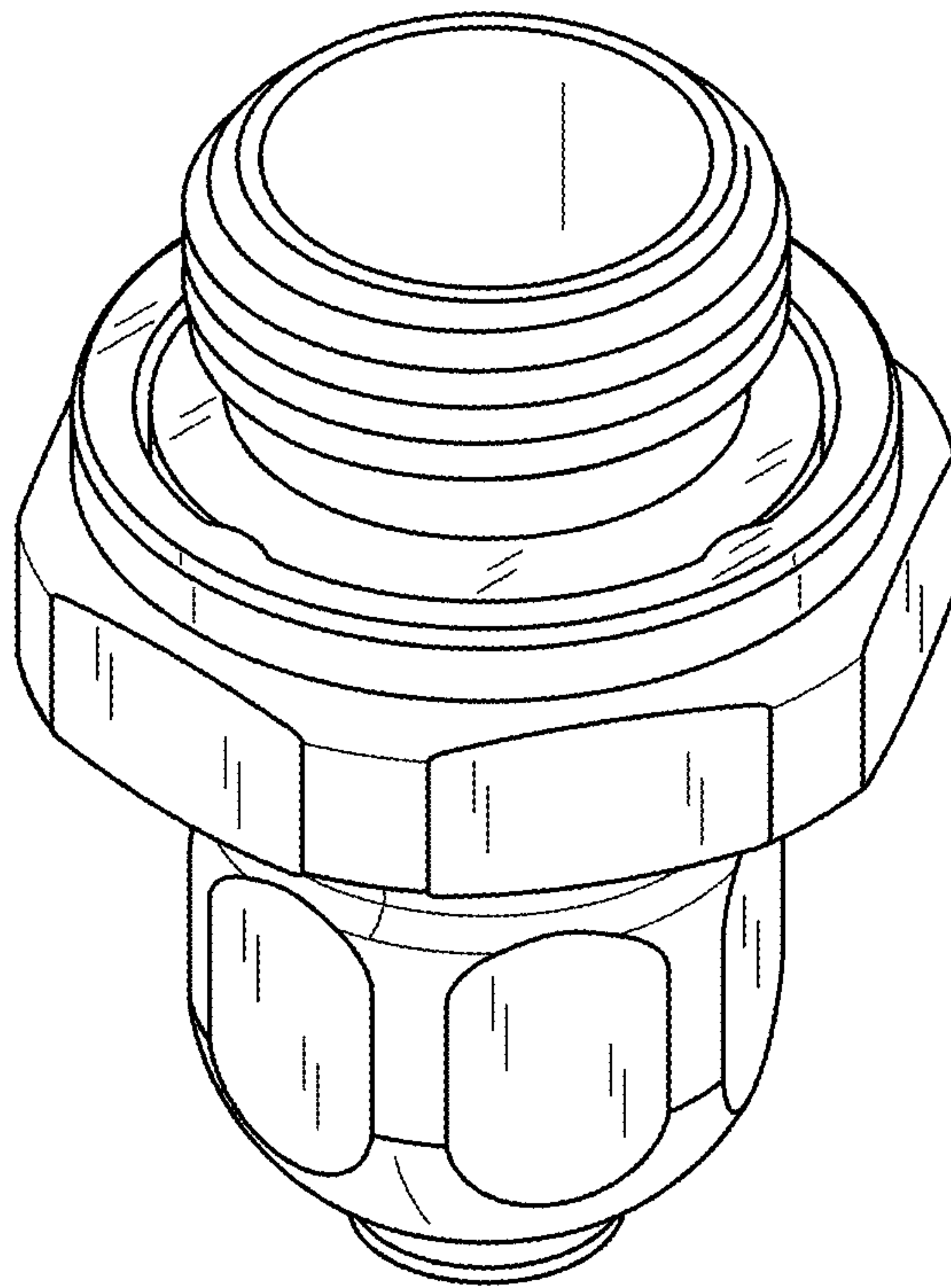


FIG. 12

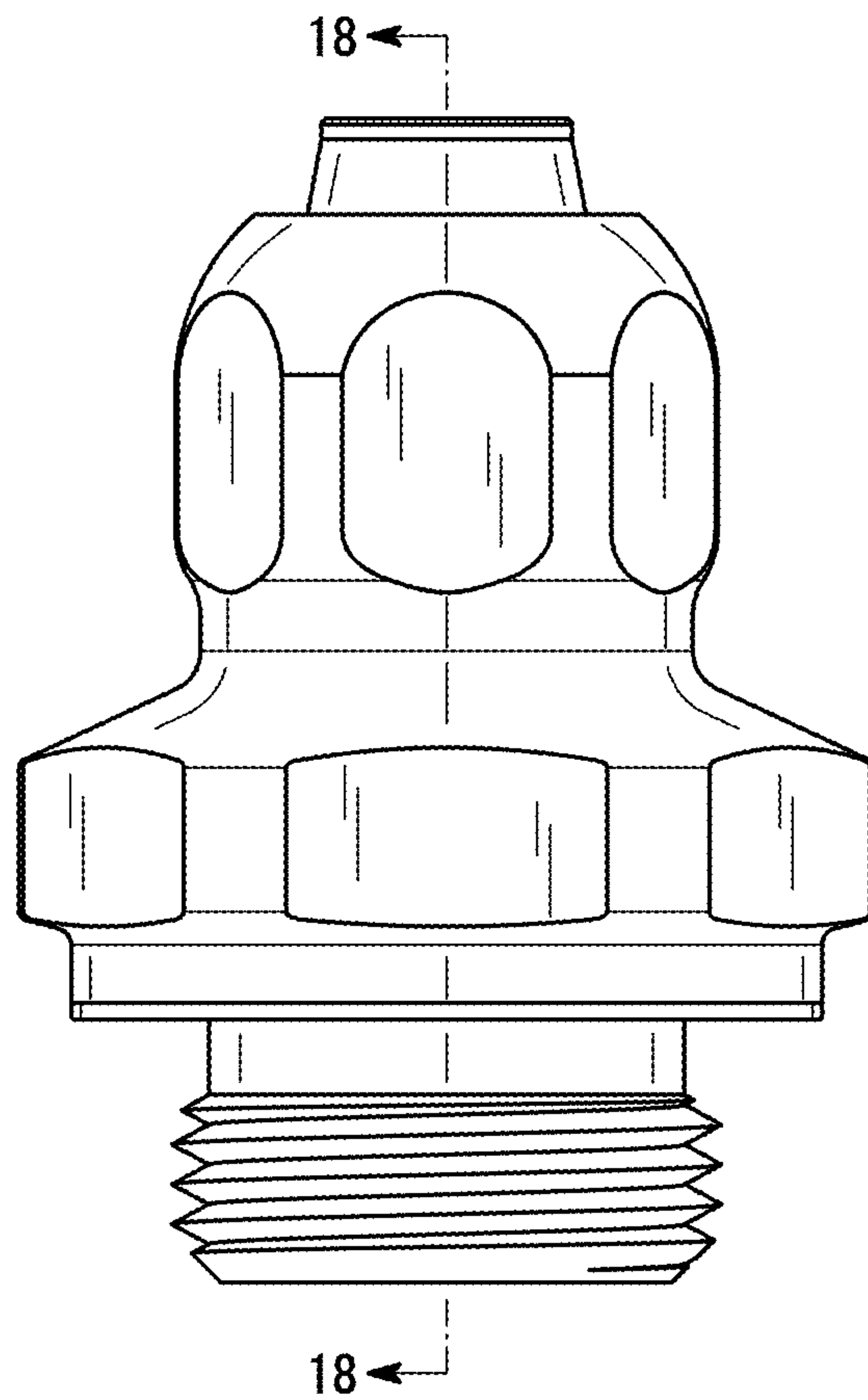


FIG. 13

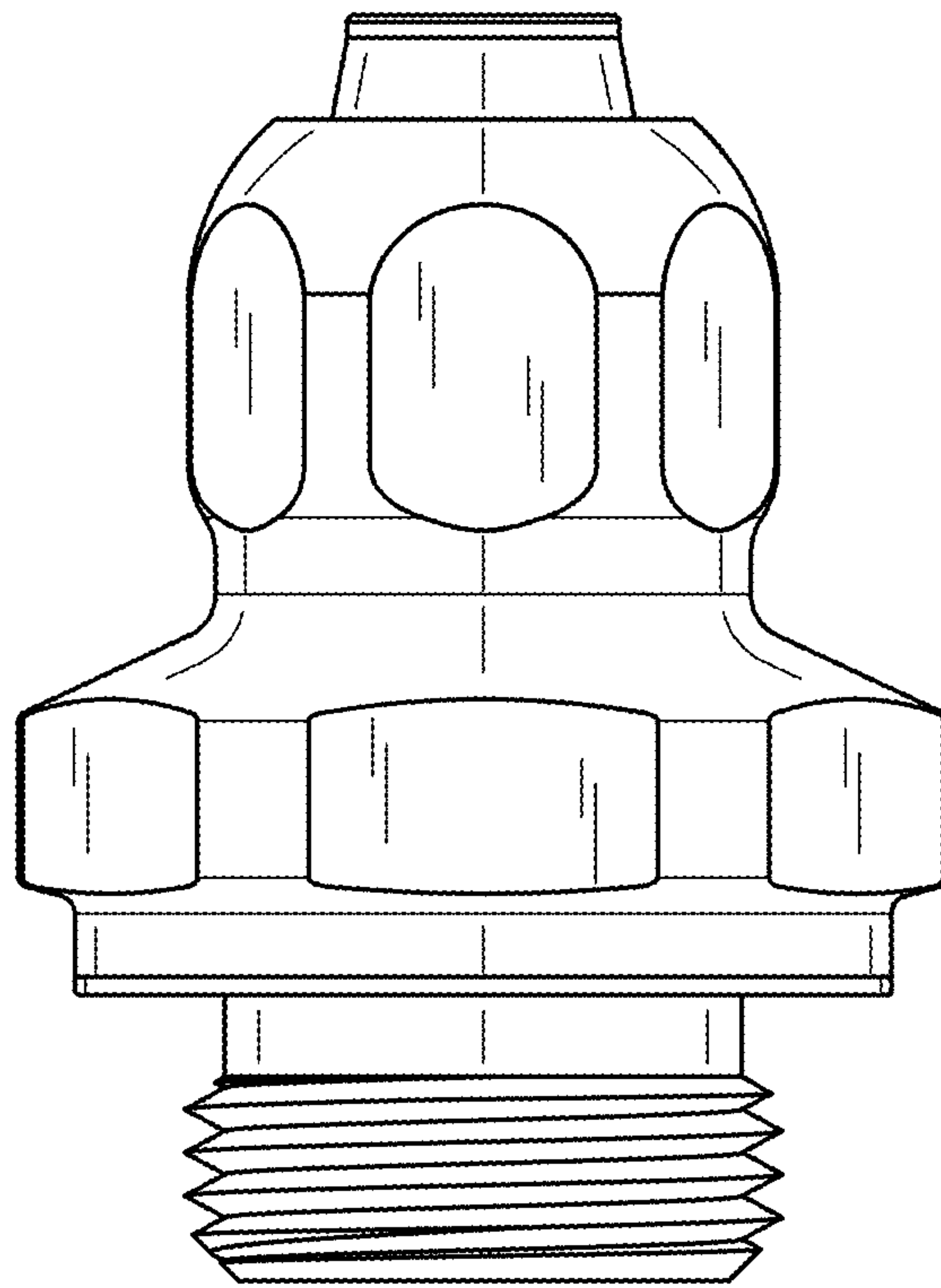




FIG. 14

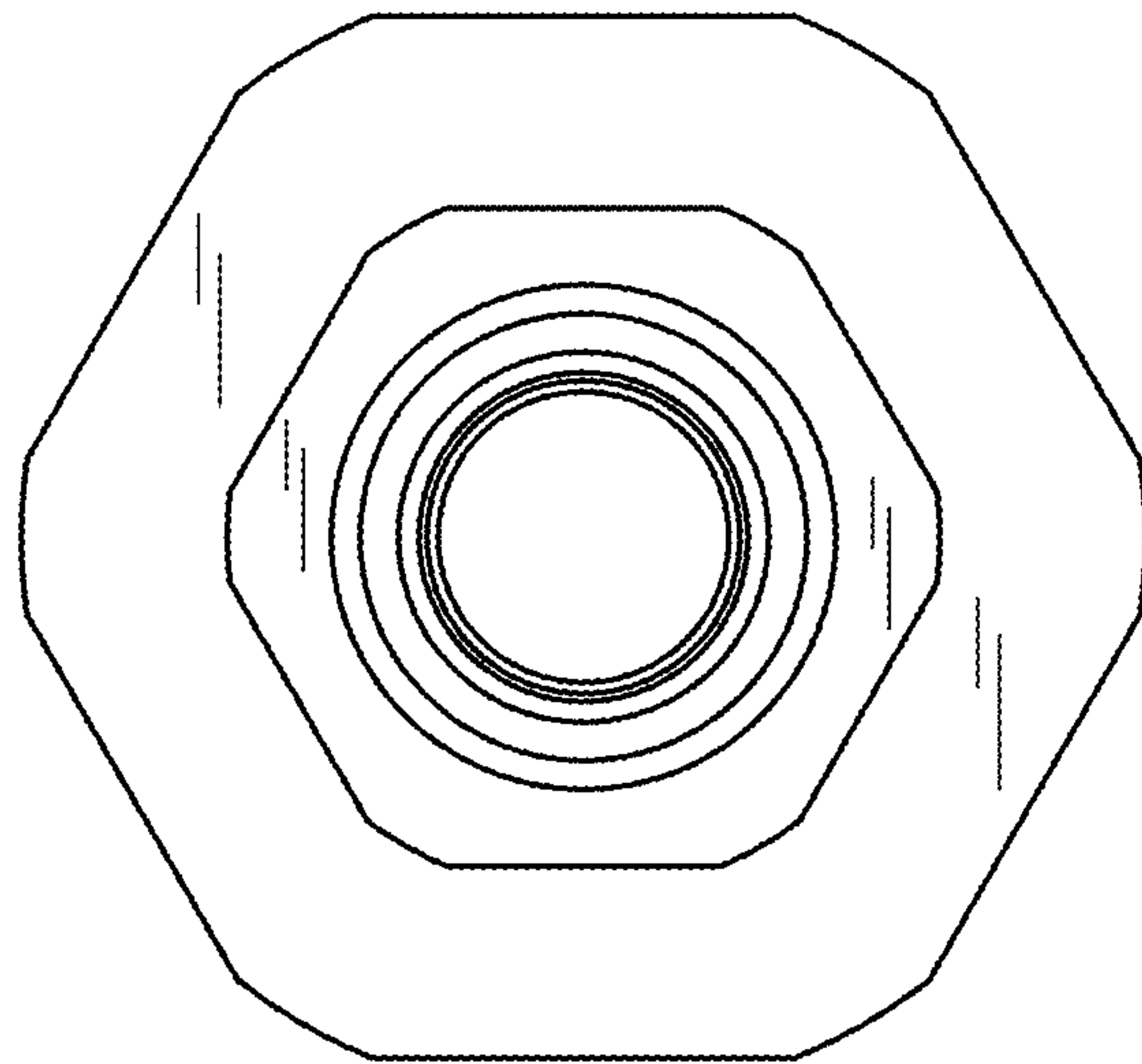


FIG. 15

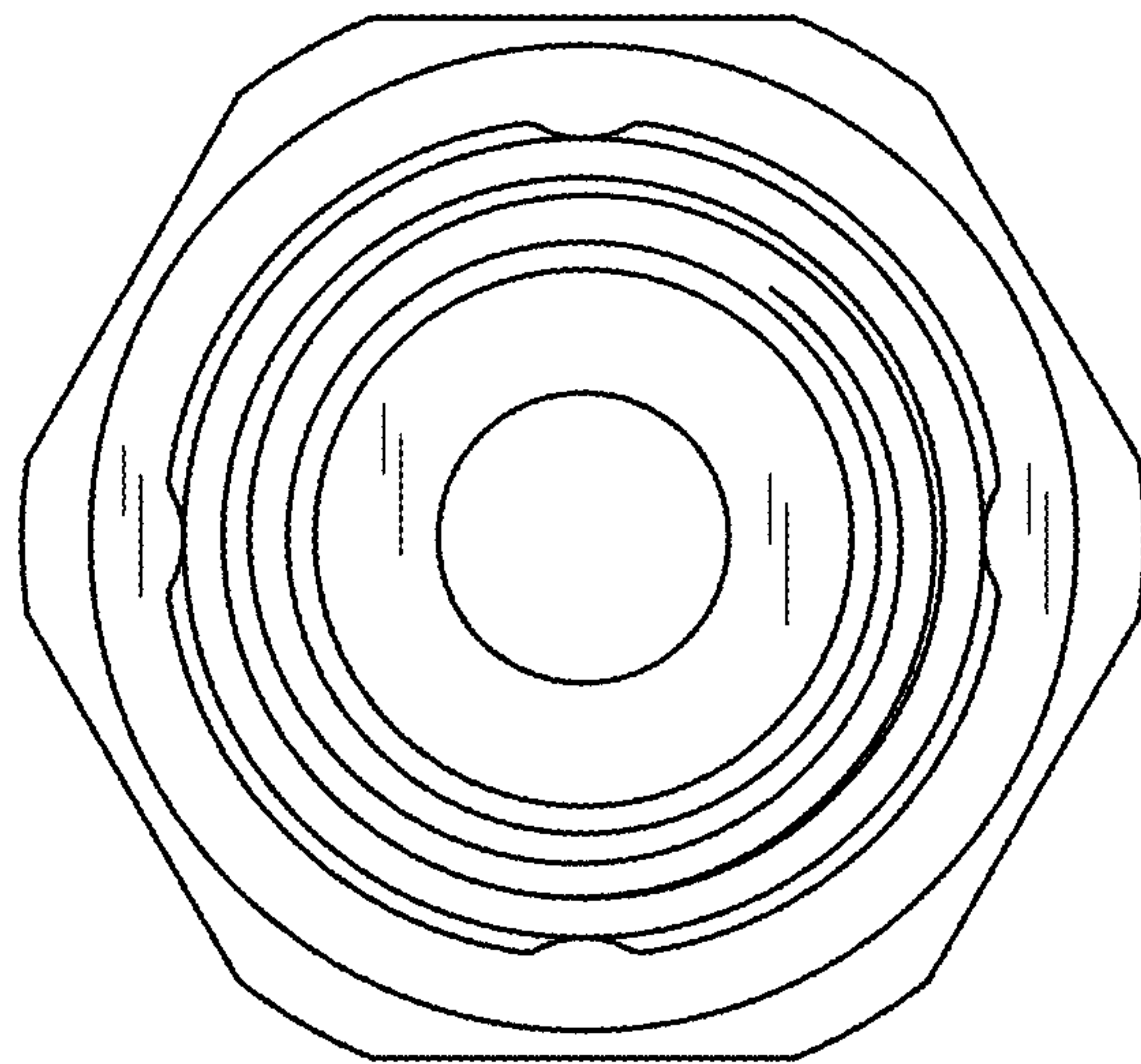


FIG. 16

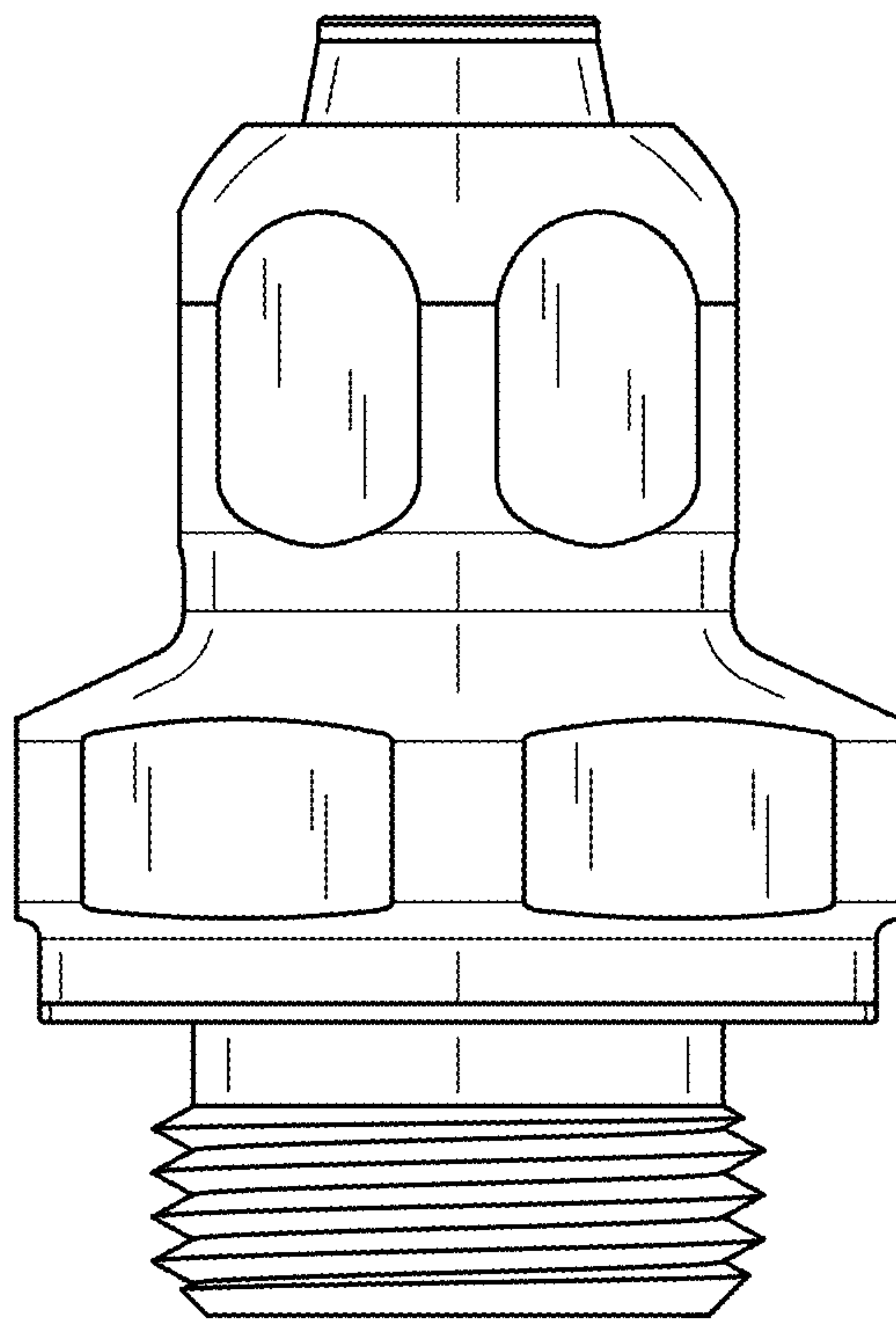


FIG. 17

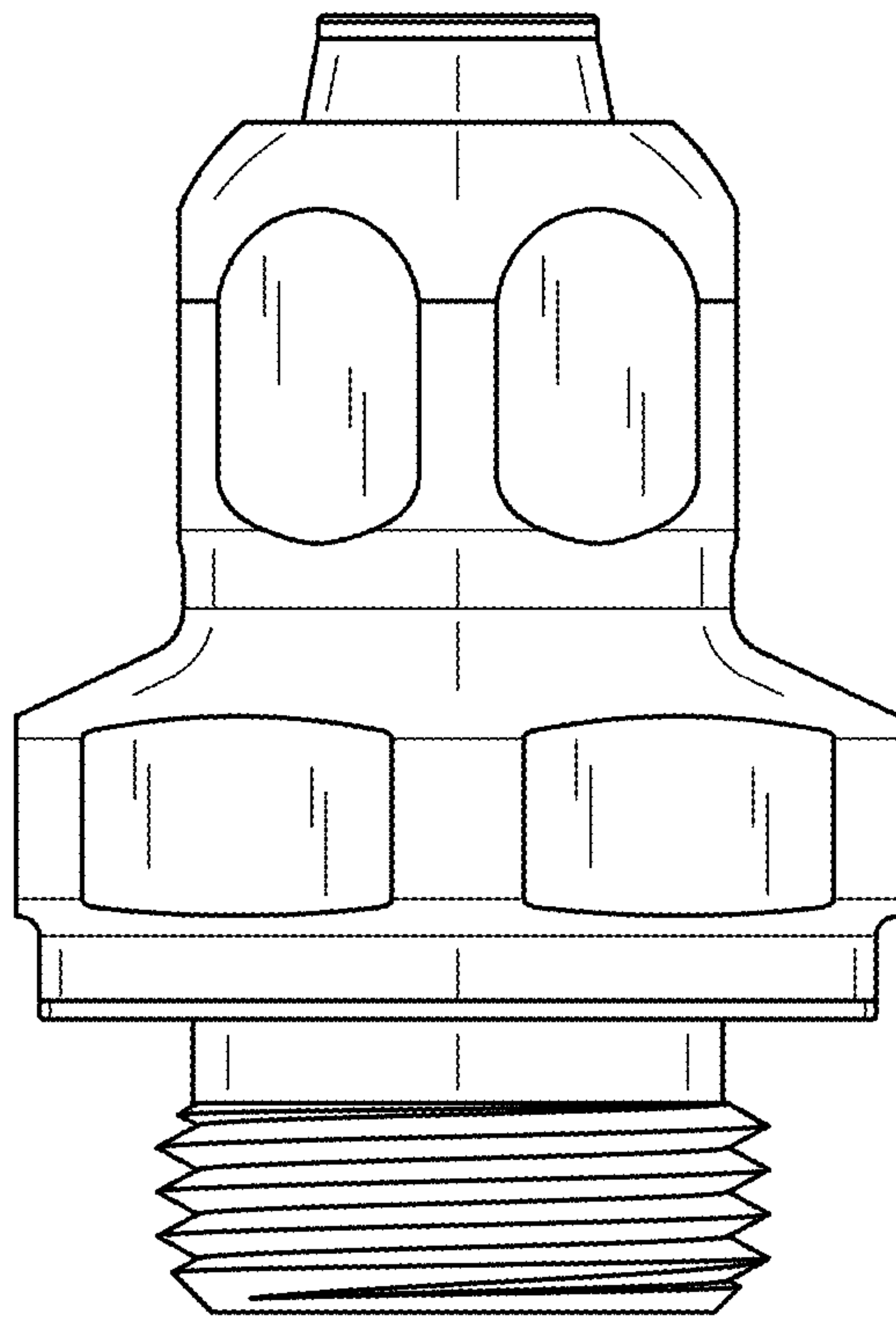


FIG. 18

