



US00D924372S

(12) **United States Design Patent**  
**Flaig et al.**

(10) **Patent No.:** **US D924,372 S**

(45) **Date of Patent:** **\*\* Jul. 6, 2021**

(54) **FAUCET BODY**

(71) Applicant: **Hansgrohe SE**, Schiltach (DE)

(72) Inventors: **Marco Flaig**, Stuttgart (DE); **Andreas Diefenbach**, Ludwigsburg-Oßweil (DE)

(73) Assignee: **Hansgrohe SE**, Schiltach (DE)

(\*\*) Term: **15 Years**

(21) Appl. No.: **29/701,932**

(22) Filed: **Aug. 15, 2019**

(30) **Foreign Application Priority Data**

Feb. 21, 2019 (EM) ..... 006263976-0008

(51) **LOC (13) Cl.** ..... **23-01**

(52) **U.S. Cl.**  
USPC ..... **D23/249**

(58) **Field of Classification Search**  
USPC ..... D23/238, 239, 240, 241, 242, 243, 249,  
D23/250, 255, 256, 257; D6/524  
CPC ..... E03C 1/04; E03C 1/0401; E03C 1/0402;  
E03C 1/0404; E03C 1/0405; E03C  
1/0412; Y10T 137/9464  
See application file for complete search history.

(56) **References Cited**

**U.S. PATENT DOCUMENTS**

D456,878 S \* 5/2002 Gottwald ..... D23/238  
D457,939 S \* 5/2002 Gottwald ..... D23/238

D520,605 S \* 5/2006 Gilbert ..... D23/249  
D694,366 S \* 11/2013 Hahn ..... D23/238  
D810,882 S \* 2/2018 Bahler ..... D23/249  
D823,988 S \* 7/2018 Soulier ..... D23/238  
D858,714 S \* 9/2019 Garland ..... D23/249  
D870,853 S \* 12/2019 Garland ..... D23/238  
D871,557 S \* 12/2019 Judge ..... D23/257  
D871,558 S \* 12/2019 Eads ..... D23/257  
D872,241 S \* 1/2020 Eads ..... D23/257  
D873,386 S \* 1/2020 Tentler ..... D23/257

\* cited by examiner

*Primary Examiner* — John A Voytek

(74) *Attorney, Agent, or Firm* — Lora J. Graentzdoerffer

(57) **CLAIM**

The ornamental design for a faucet body, as shown and described.

**DESCRIPTION**

FIG. 1 is a perspective view of a faucet body showing our design;  
FIG. 2 is a front elevation view;  
FIG. 3 is a rear elevation view;  
FIG. 4 is a right side elevation view;  
FIG. 5 is a left side elevation view;  
FIG. 6 is a top plan view; and,  
FIG. 7 is a bottom plan view.  
The broken-line disclosures in the drawings represent portions of the faucet body that form no part of the claimed design.

**1 Claim, 7 Drawing Sheets**

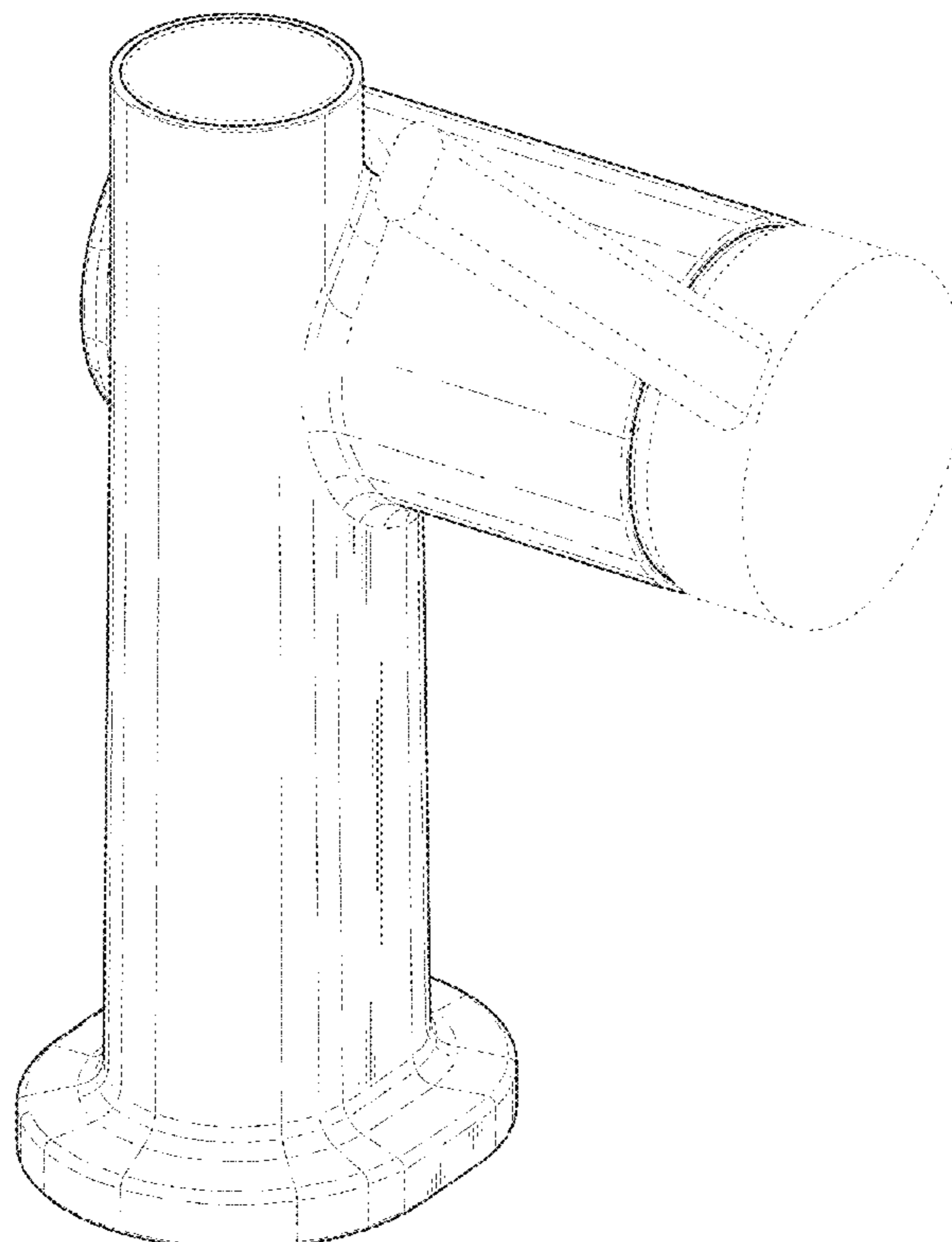


FIG. 1

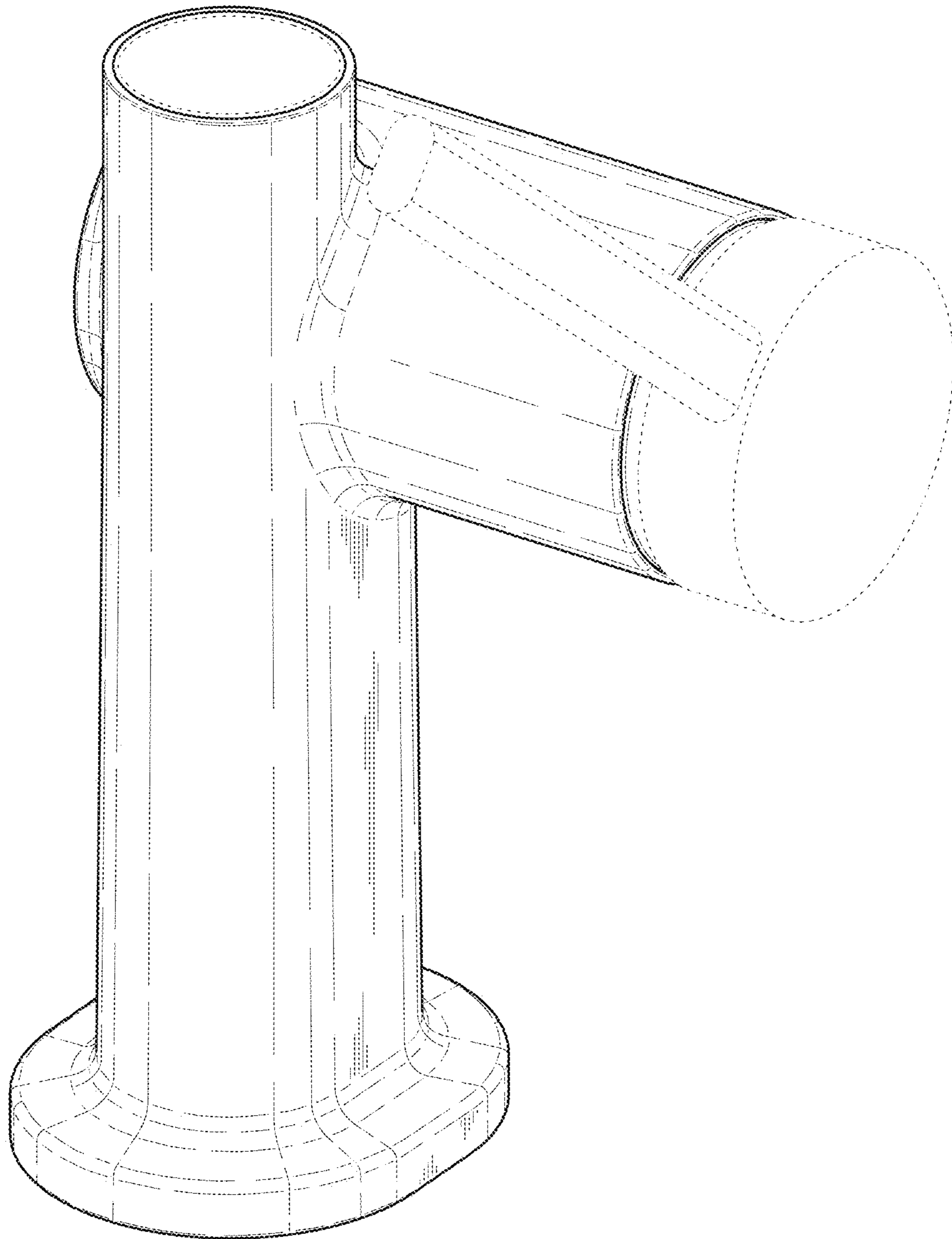


FIG. 2

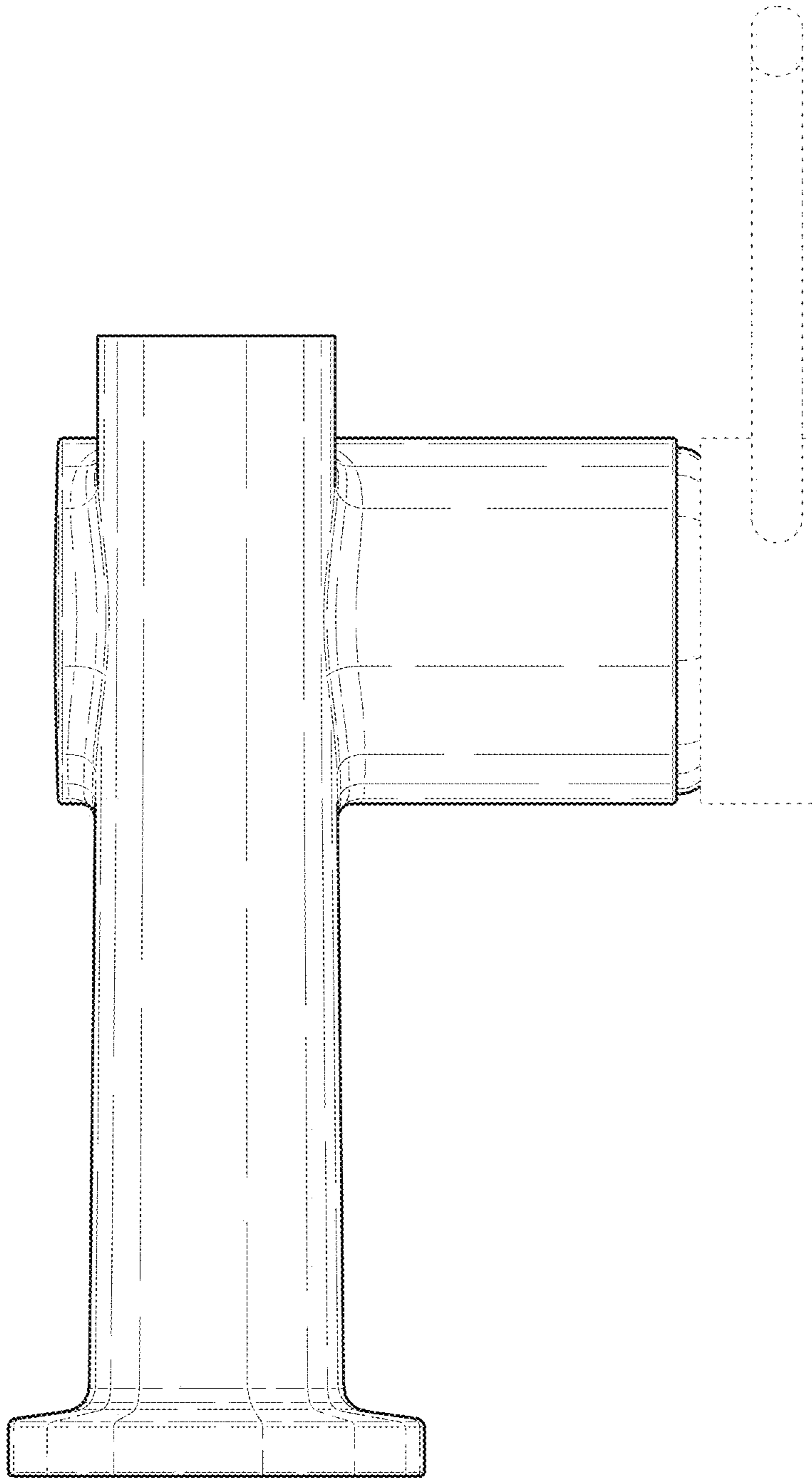


FIG. 3

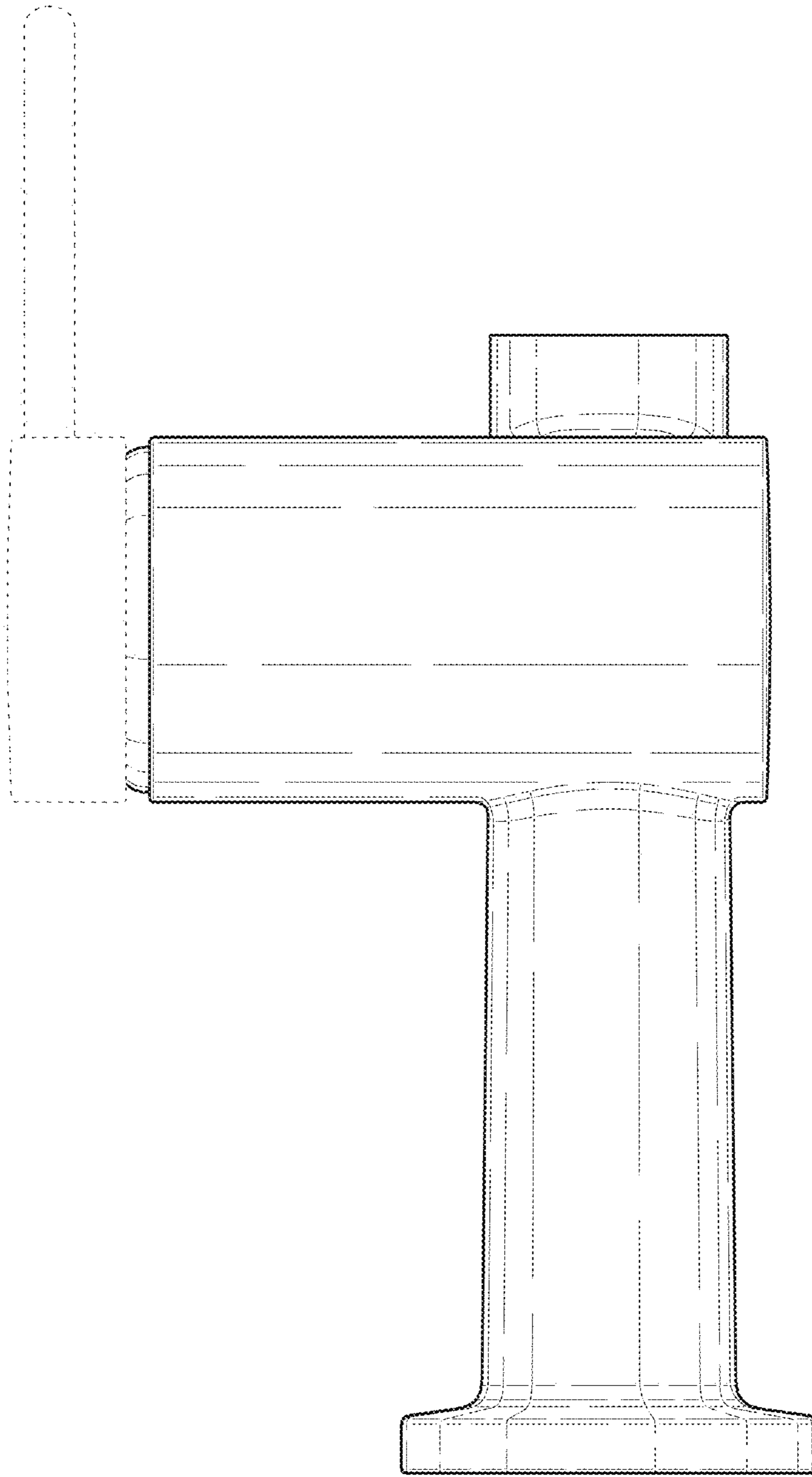


FIG. 4

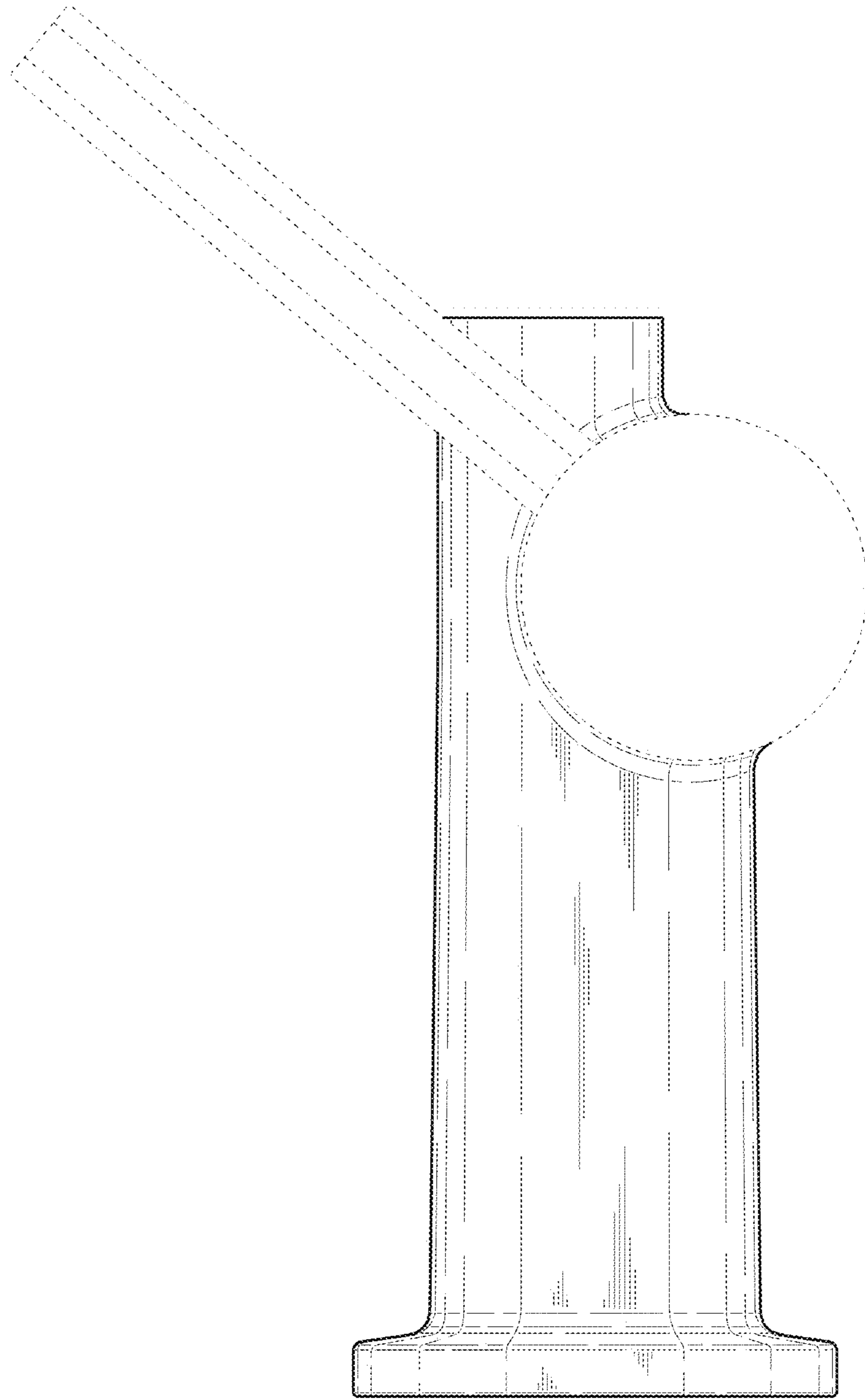


FIG. 5

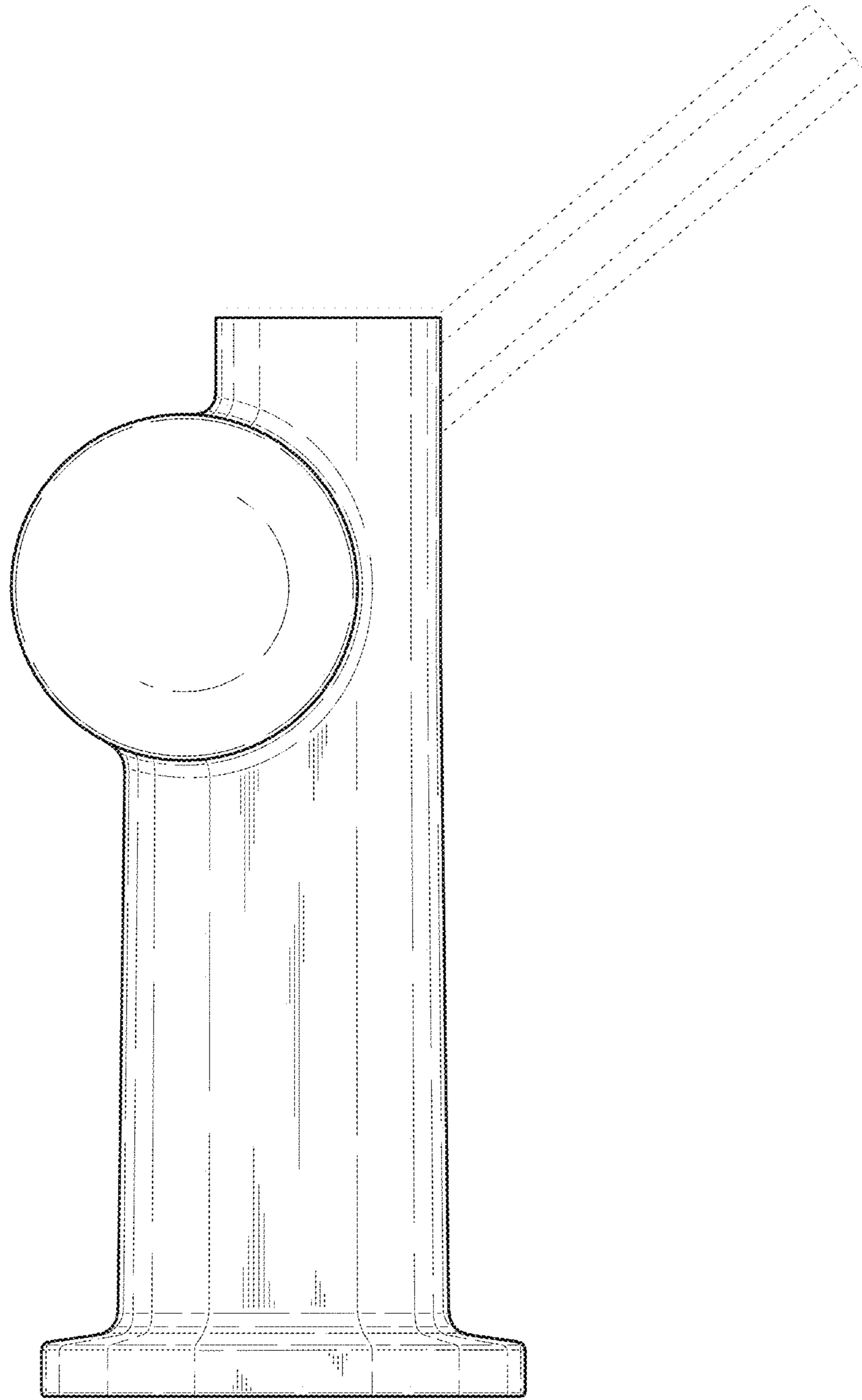


FIG. 6

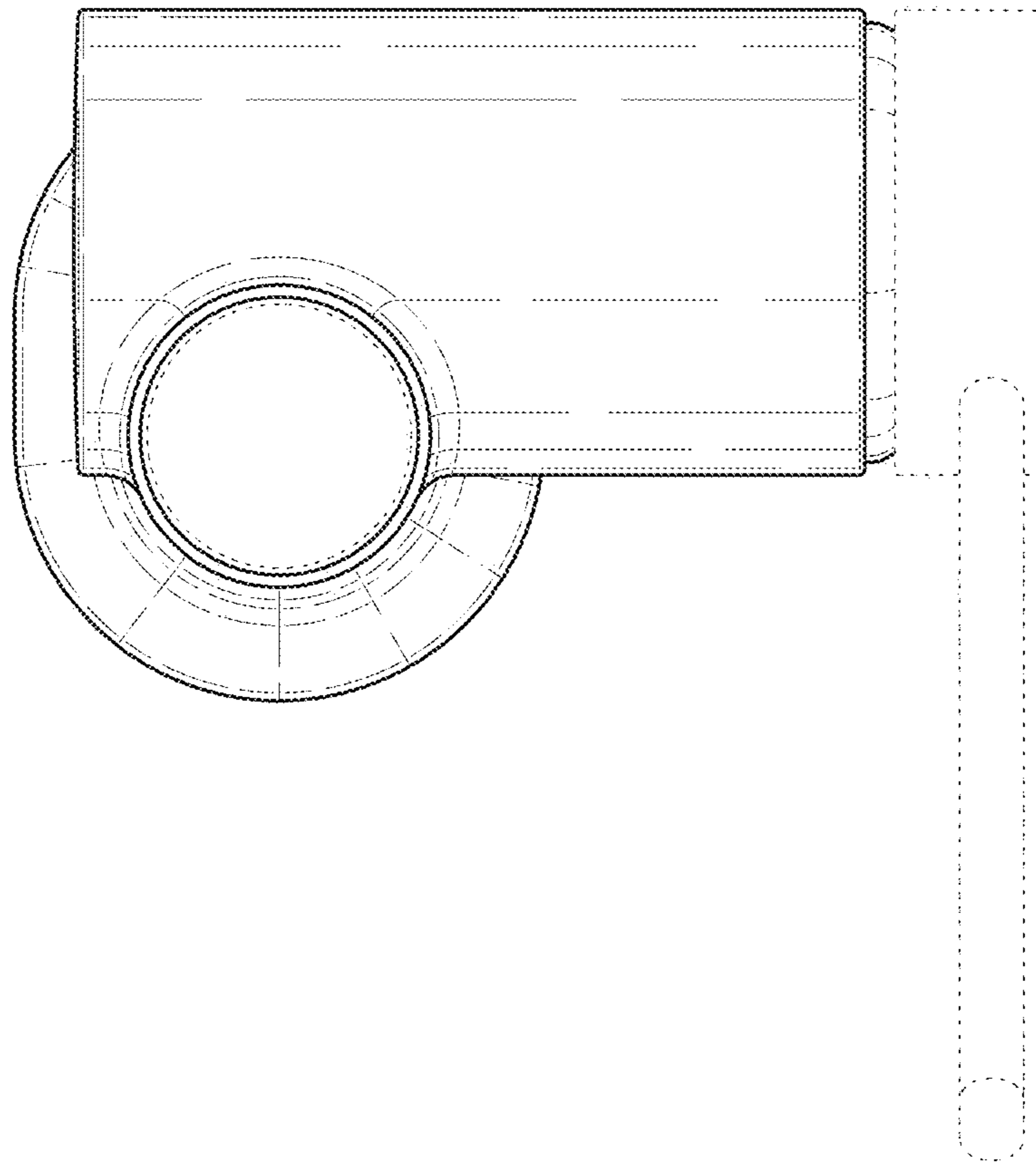


FIG. 7

