



US00D924370S

(12) **United States Design Patent**
Weber

(10) **Patent No.:** **US D924,370 S**

(45) **Date of Patent:** **** Jul. 6, 2021**

(54) **FAUCET**

(71) Applicant: **DELTA FAUCET COMPANY,**
Indianapolis, IN (US)

(72) Inventor: **Kristen Weber,** Park Ridge, IL (US)

(73) Assignee: **DELTA FAUCET COMPANY,**
Indianapolis, IN (US)

(**) Term: **15 Years**

(21) Appl. No.: **29/710,408**

(22) Filed: **Oct. 23, 2019**

(51) **LOC (13) Cl.** **23-01**

(52) **U.S. Cl.**
USPC **D23/242**

(58) **Field of Classification Search**
USPC D23/238–244, 252, 254–255, 257;
D8/307–308
CPC F16K 31/602; F16K 31/605; F16K 31/607;
E03C 1/0412
See application file for complete search history.

(56) **References Cited**

U.S. PATENT DOCUMENTS

D368,302 S *	3/1996	Doughty	D23/241
D384,132 S *	9/1997	Doughty	D23/241
D434,472 S *	11/2000	Lord	D23/241
D448,453 S *	9/2001	Lord	D23/241
D522,093 S *	5/2006	Fritz	D23/241
D528,190 S *	9/2006	Fritz	D23/241
D529,137 S *	9/2006	Chu	D23/241
D569,486 S *	5/2008	Fritz	D23/241
D643,096 S *	8/2011	Corbett	D23/242
D657,019 S *	4/2012	Padgett	D23/242
D667,934 S *	9/2012	Liao	D23/242
D704,305 S *	5/2014	Flowers	D23/242
D715,900 S *	10/2014	Flowers	D23/242
D754,297 S *	4/2016	Garland	D23/242
D767,099 S *	9/2016	Flowers	D23/242
D791,279 S *	7/2017	Fritz	D23/242

D791,280 S *	7/2017	Fritz	D23/242
D793,534 S *	8/2017	Fritz	D23/242
D796,638 S *	9/2017	Liao	D23/242
D797,248 S *	9/2017	Schaubach	D23/242

(Continued)

FOREIGN PATENT DOCUMENTS

CA	175160	*	6/2017
CA	190273	*	10/2019
CN	303233641	*	6/2014

OTHER PUBLICATIONS

Delta Faucet Ashlyn Centerset Bathroom Faucet, announced Oct. 23, 2014[online], [site visited Feb. 22, 2021], Available from internet, URL:< <https://www.amazon.com/2-Handle-Centerset-Bathroom-Technology-2564-MPU-DST/dp/B00OTY6SLS>> (Year: 2014).*

(Continued)

Primary Examiner — Barbara Fox
Assistant Examiner — Jamaal Rasheed
(74) *Attorney, Agent, or Firm* — Nirav D. Parikh; Edgar A. Zarins

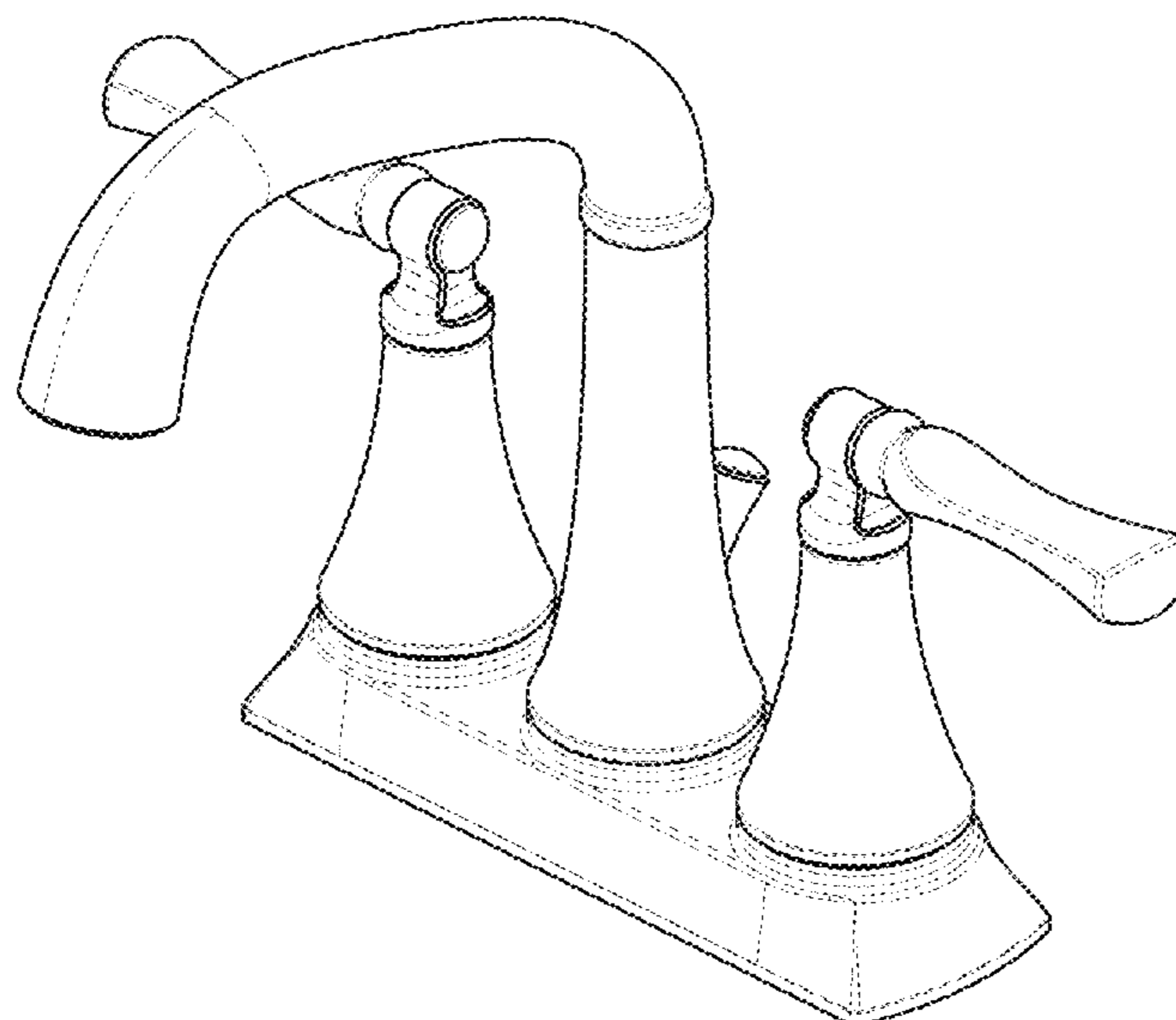
(57) **CLAIM**

The ornamental design for a faucet, as shown and described.

DESCRIPTION

FIG. 1 is a front perspective view of a faucet showing my new design;
FIG. 2 is a rear perspective view thereof;
FIG. 3 is a front elevational view thereof;
FIG. 4 is a left side view thereof;
FIG. 5 is a rear view thereof;
FIG. 6 is a right side view thereof;
FIG. 7 is a top plan view thereof; and,
FIG. 8 is a bottom view thereof.

1 Claim, 4 Drawing Sheets



(56)

References Cited

U.S. PATENT DOCUMENTS

D797,893	S	*	9/2017	Fritz	D23/242
D822,171	S	*	7/2018	Bennett	D23/242
D839,390	S	*	1/2019	Eads	D23/242
D860,394	S	*	9/2019	Seum	D23/238
D879,252	S	*	3/2020	Yu	D23/242
D891,585	S	*	7/2020	Spangler	D23/242

OTHER PUBLICATIONS

Delta Faucet Stryke Centerset Bathroom Faucet, announced Date Nov. 28, 2018[online], [site visited Jul. 23, 2020], Available from internet, URL:< <https://www.amazon.com/Delta-Faucet-25776-BLMPU-DST-Centerset-Matte/dp/B07JY6KBSM?th=1>> (Year: 2018).*

* cited by examiner

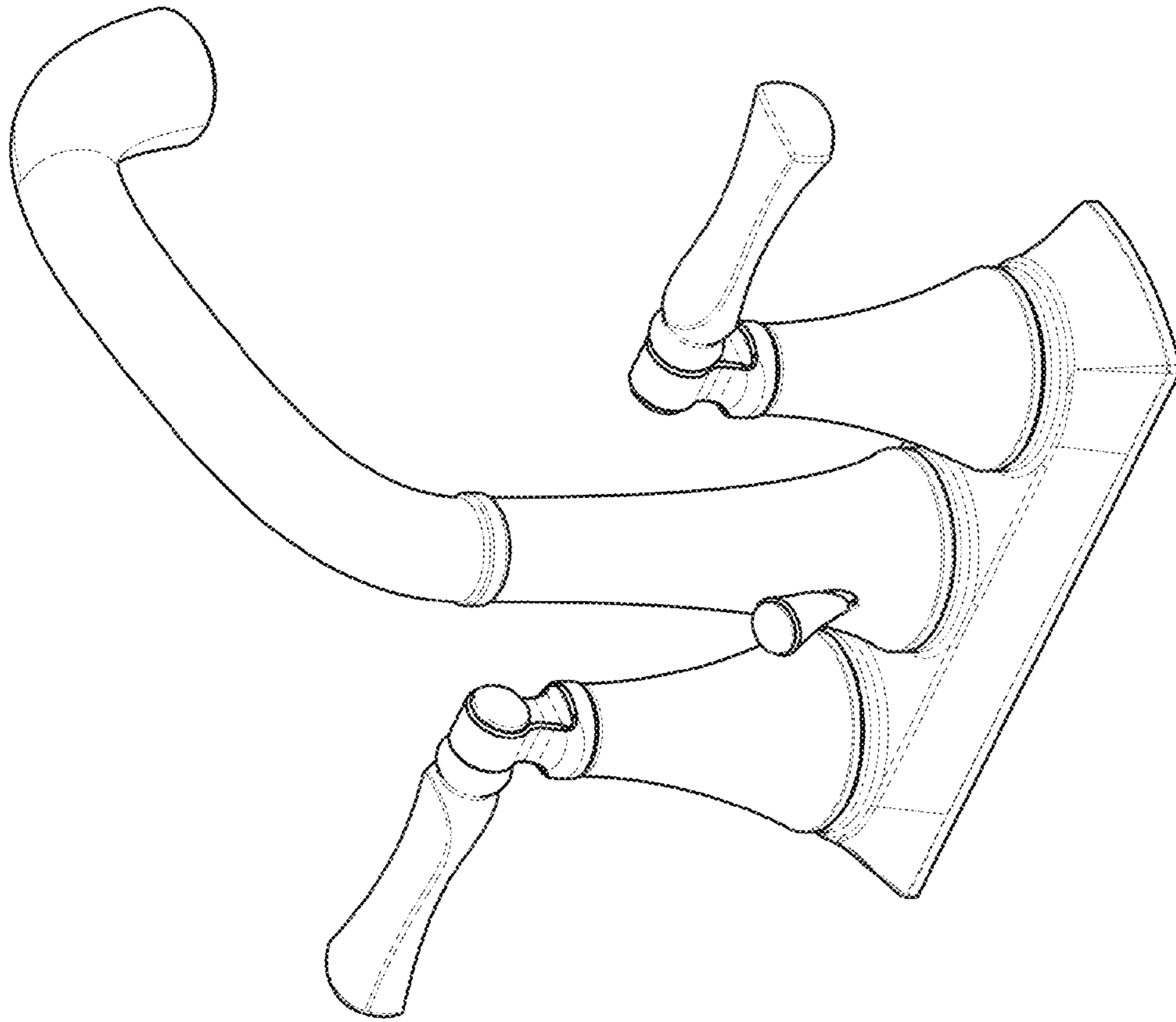


FIG - 2

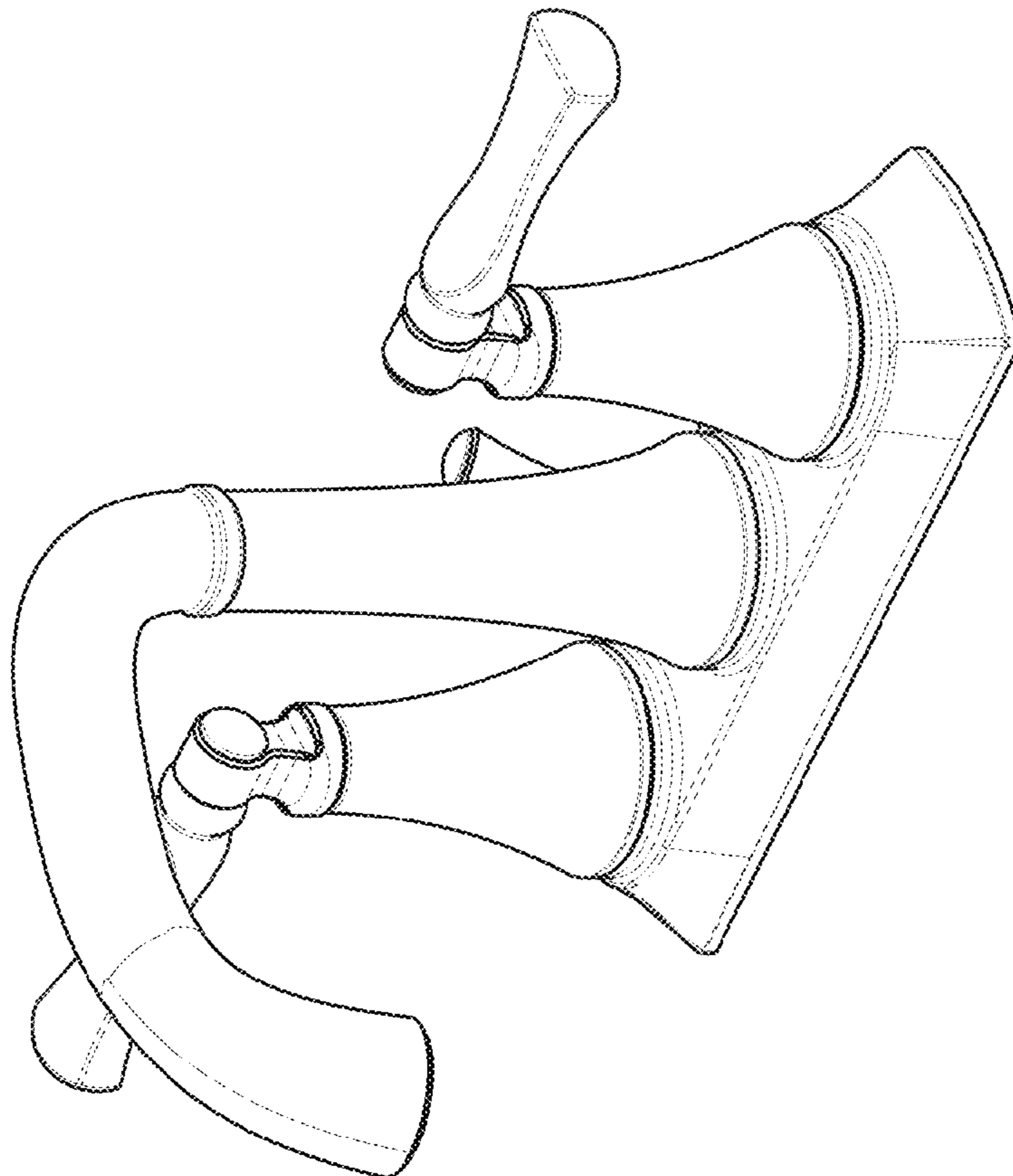


FIG - 1

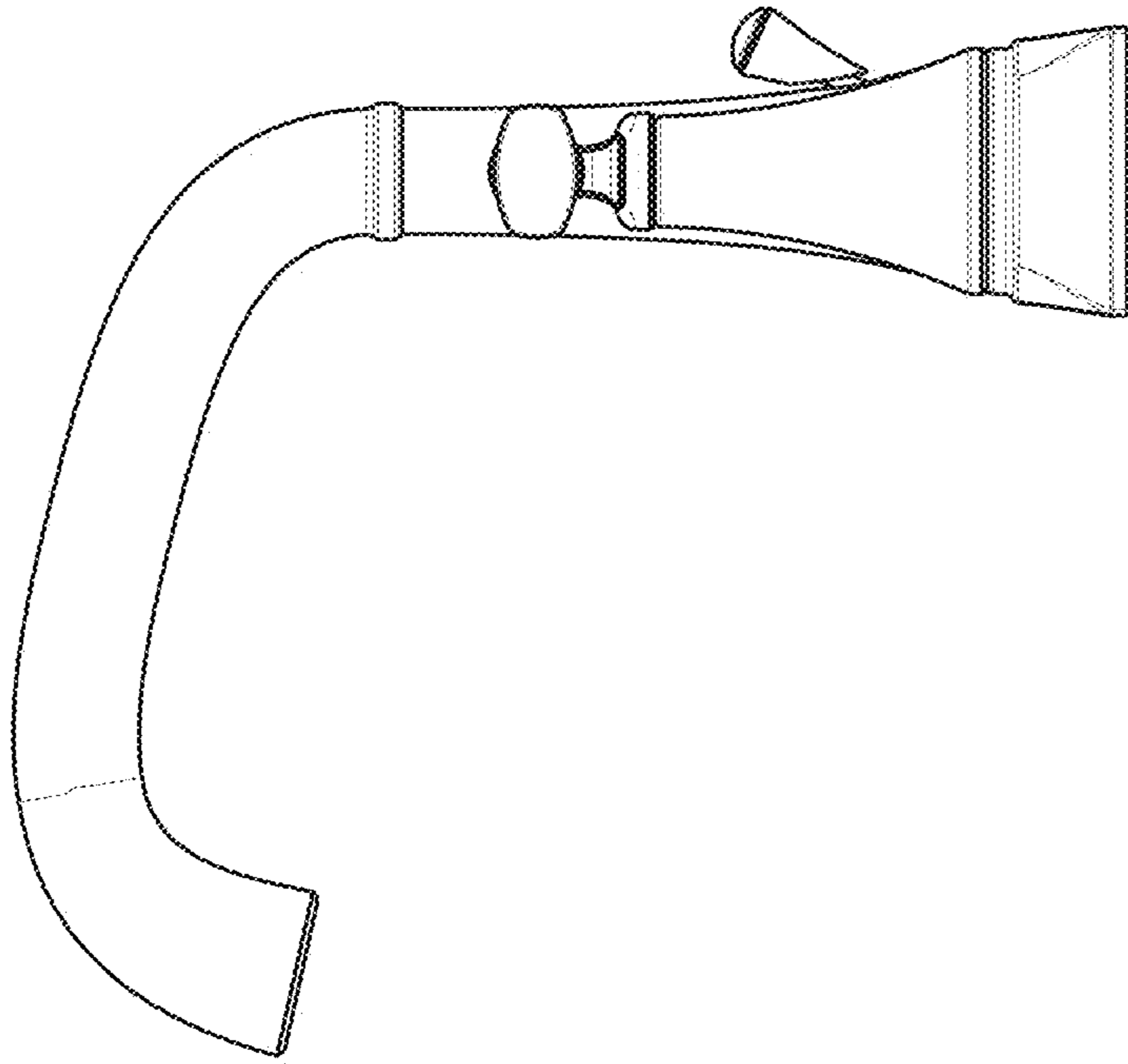


FIG - 4

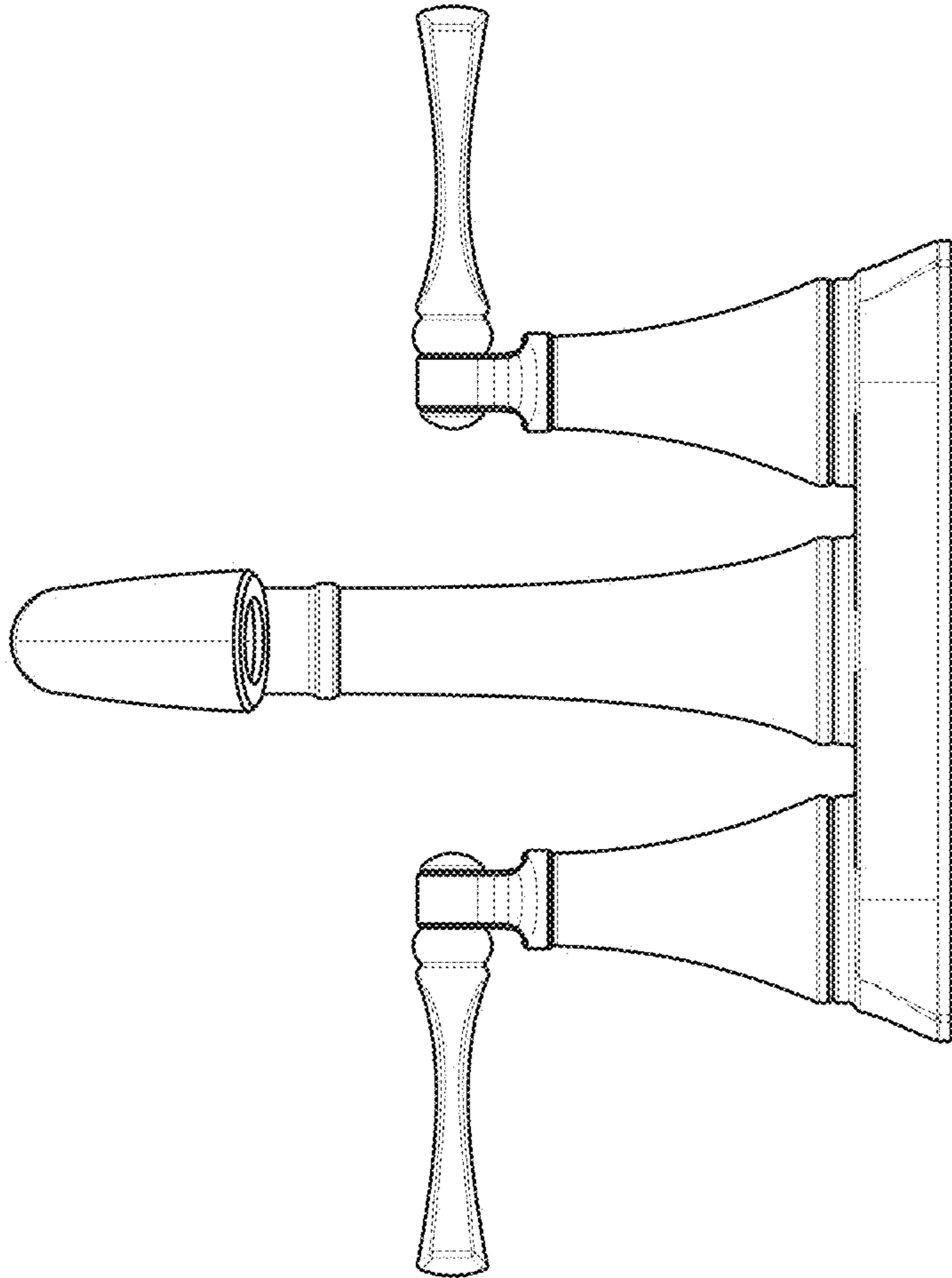


FIG - 3

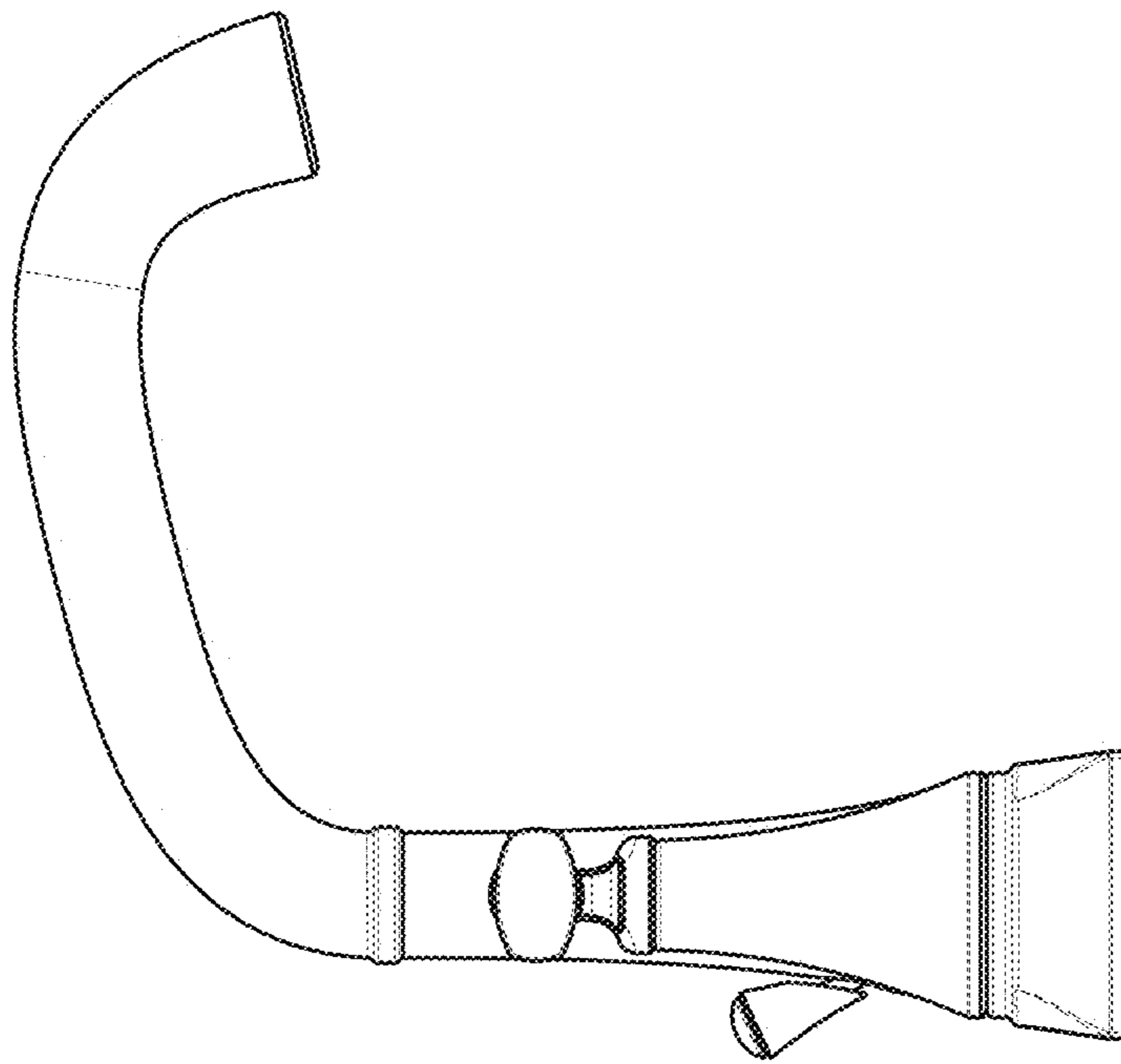


FIG - 6

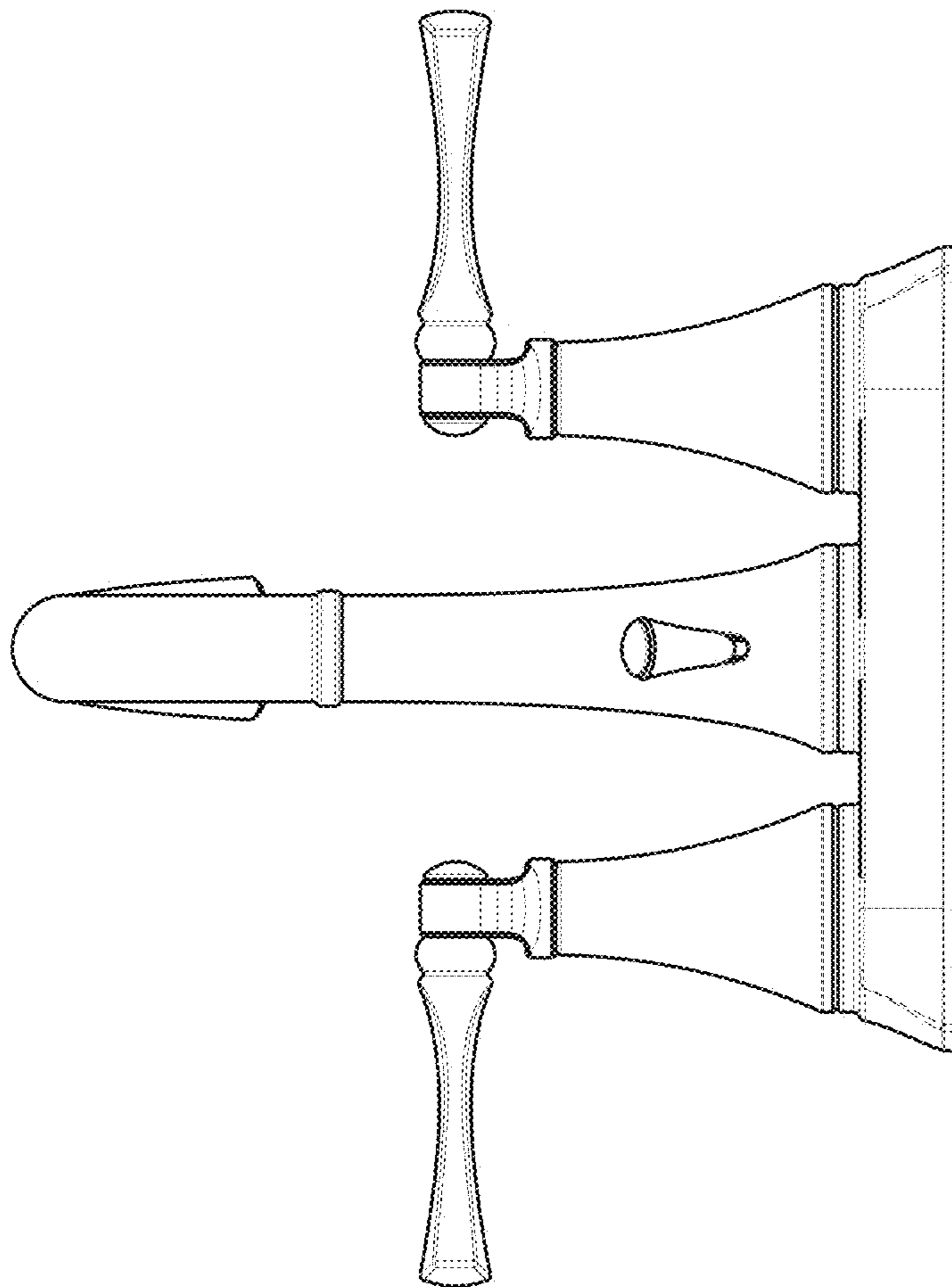


FIG - 5

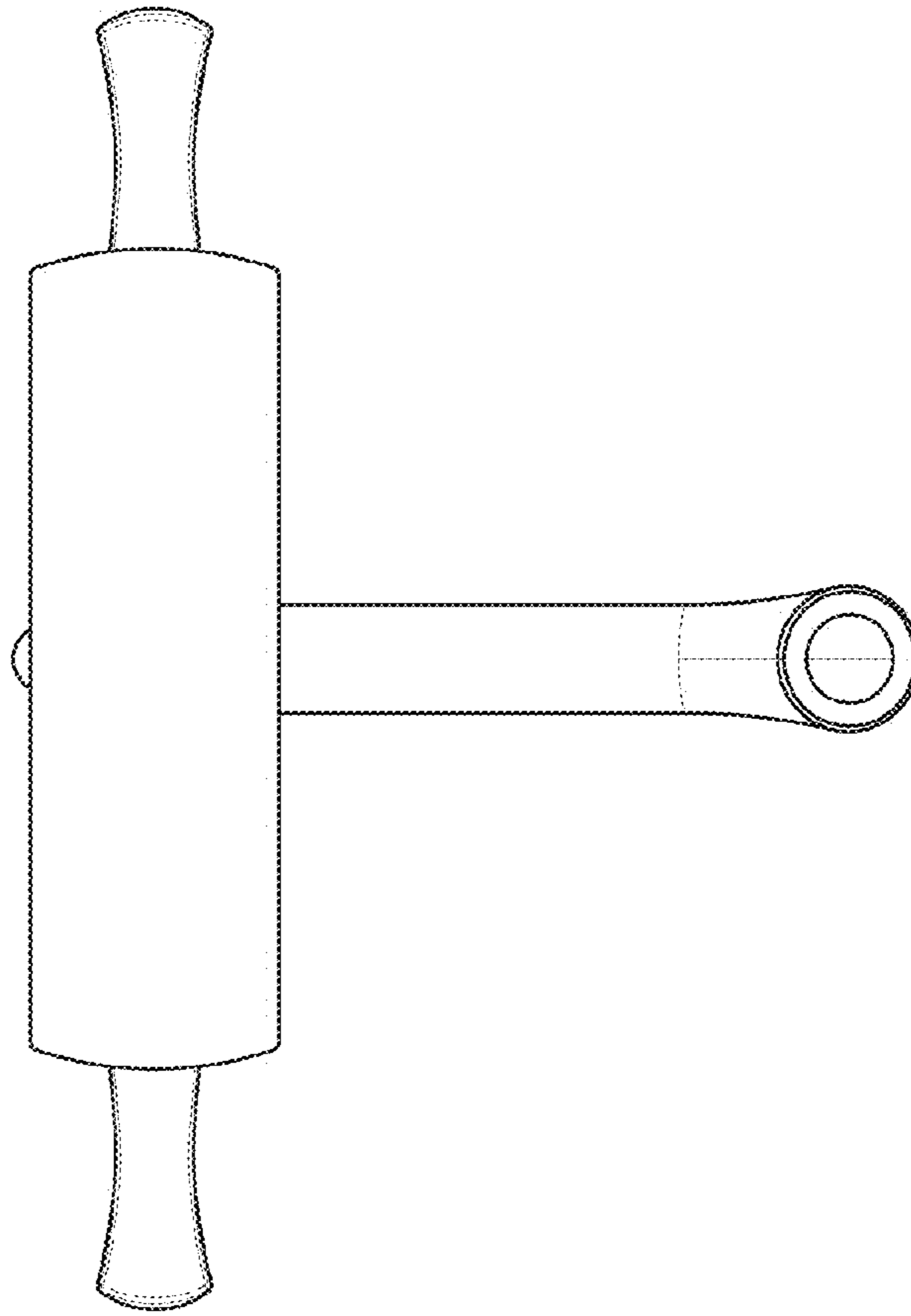


FIG. - 8

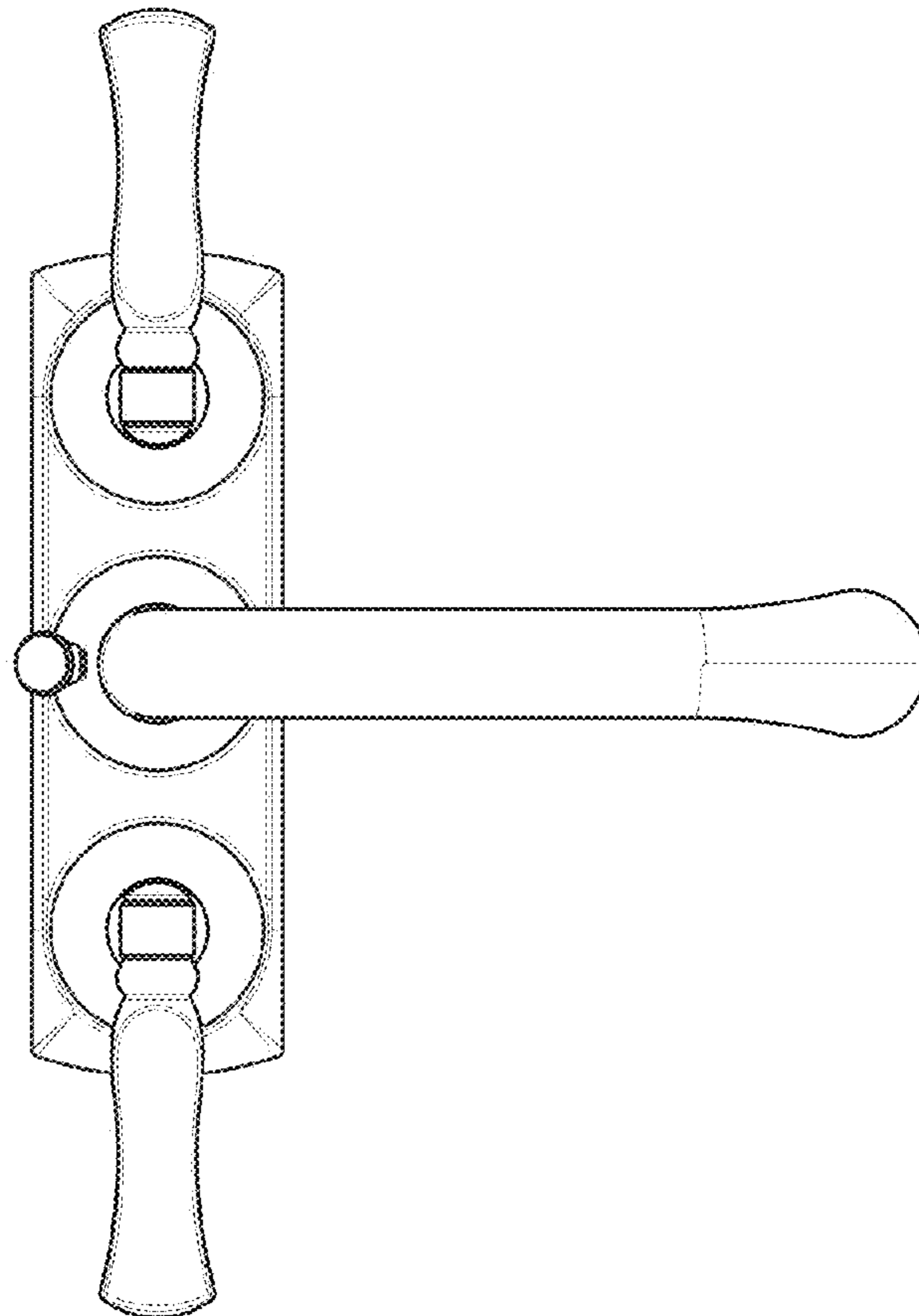


FIG. - 7