



US00D924369S

(12) **United States Design Patent**
Zeng

(10) **Patent No.:** **US D924,369 S**
(45) **Date of Patent:** **** Jul. 6, 2021**

- (54) **FAUCET**
- (71) Applicant: **Foshan Shunde Yajiasi Kitchen Cabinet Co., Ltd., Foshan (CN)**
- (72) Inventor: **Deju Zeng, Foshan (CN)**
- (73) Assignee: **Foshan Shunde Yajiasi Kitchen Cabinet Co., Ltd., Foshan (CN)**
- (**) Term: **15 Years**
- (21) Appl. No.: **29/705,018**
- (22) Filed: **Sep. 9, 2019**
- (51) **LOC (13) Cl.** **23-01**
- (52) **U.S. Cl.**
USPC **D23/242**
- (58) **Field of Classification Search**
USPC D23/237, 238, 240–243, 249, 254, 255,
D23/257; D6/524
CPC E03C 1/0401; E03C 1/04; E03C 1/0402;
E03C 1/0404; Y10T 137/9464
See application file for complete search history.

- D860,400 S * 9/2019 Diefenbach D23/242
- D861,136 S * 9/2019 Diefenbach D23/242
- D883,442 S * 5/2020 Massaud D23/242

OTHER PUBLICATIONS

VC Cucine Bathroom Faucet)—Amazon User Review “Rocio Martinez” [Aug. 21, 2019] found online [Dec. 17, 2020]—https://www.amazon.com/VCCUCINE-Commercial-Lavatory-Widespread-Bathroom/dp/B07RN7M7FZ/ref=sr_1_6?crd=2UMKZFRPSHRE&dchild=1&keywords=double+handle+bathroom+faucet&qid=1608229515&prefix=DOUBLE+H.*

* cited by examiner

Primary Examiner — John A Voytek
(74) *Attorney, Agent, or Firm* — Yong Chen

(57) **CLAIM**

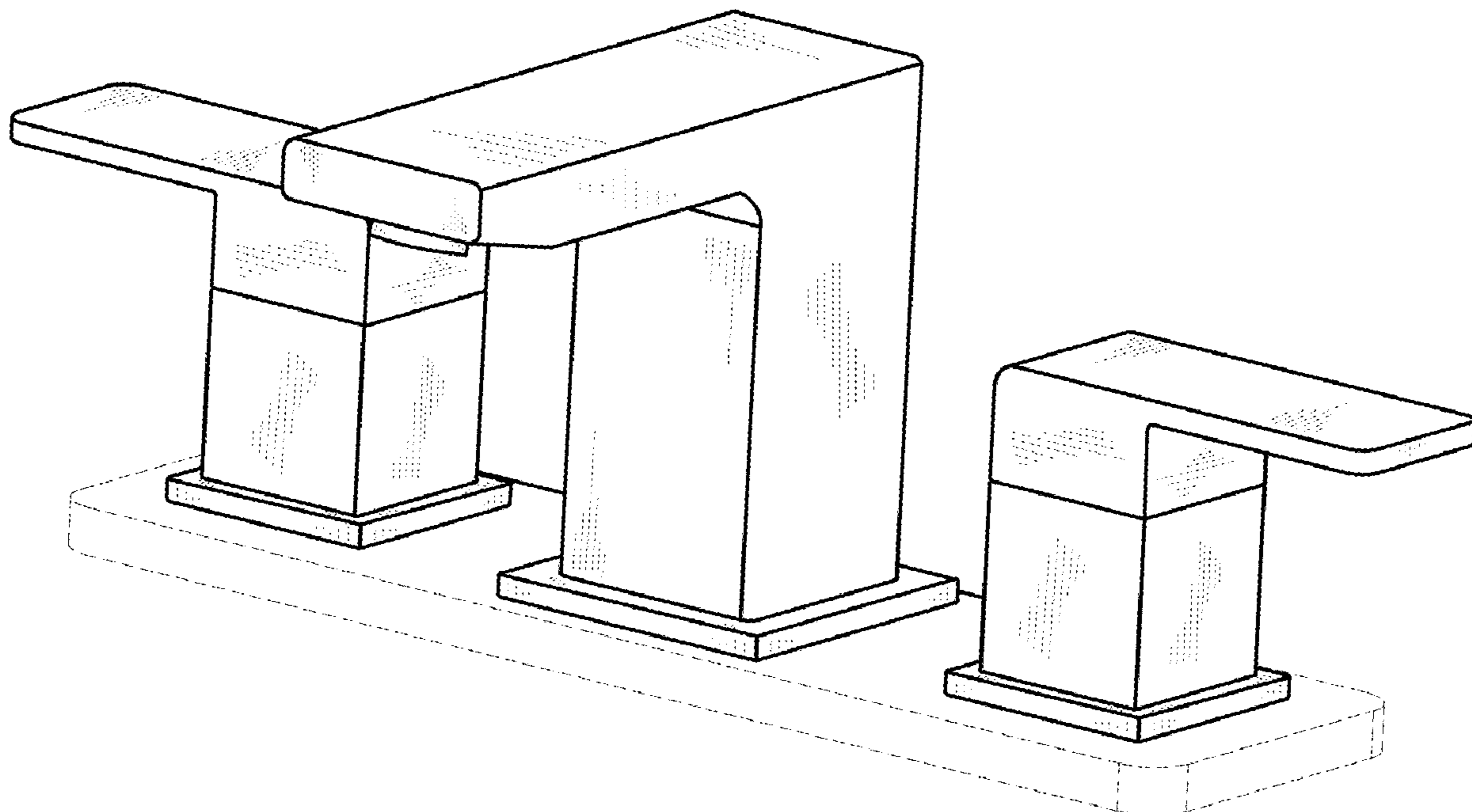
The ornamental design for a faucet, as shown and described.

DESCRIPTION

FIG. 1 is a perspective view of a faucet of the present invention.
FIG. 2 is another perspective thereof.
FIG. 3 is a front view thereof.
FIG. 4 is a rear view thereof.
FIG. 5 is a left view thereof.
FIG. 6 is a right view thereof.
FIG. 7 is a top view thereof; and,
FIG. 8 is a bottom view thereof.
The broken line showing of certain portions of the faucet is included for the purpose of illustration only and forms no part of the claimed design.

1 Claim, 8 Drawing Sheets

- (56) **References Cited**
- U.S. PATENT DOCUMENTS**
- D515,671 S * 2/2006 Toyohara D23/241
- D517,655 S * 3/2006 Ogata D23/241
- D533,639 S * 12/2006 Hoernig D23/242
- D645,941 S * 9/2011 Ando D23/242
- D767,727 S * 9/2016 Eads D23/242
- D809,630 S * 2/2018 Schoenherr D23/242
- D810,242 S * 2/2018 Schoenherr D23/239
- D828,507 S * 9/2018 Schoenherr D23/238
- D848,575 S * 5/2019 Garland D23/242
- D856,490 S * 8/2019 Seum D23/242



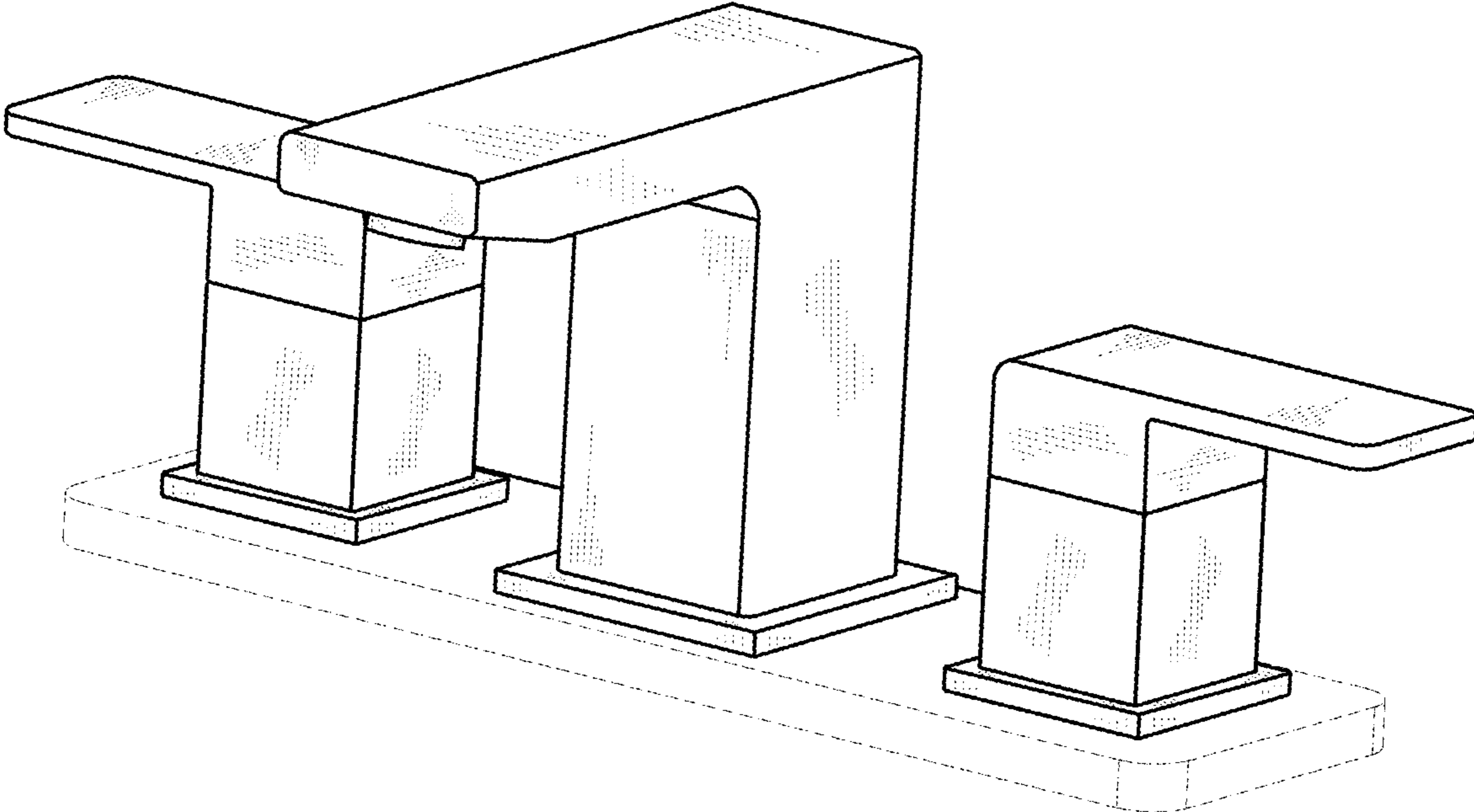


FIG.1

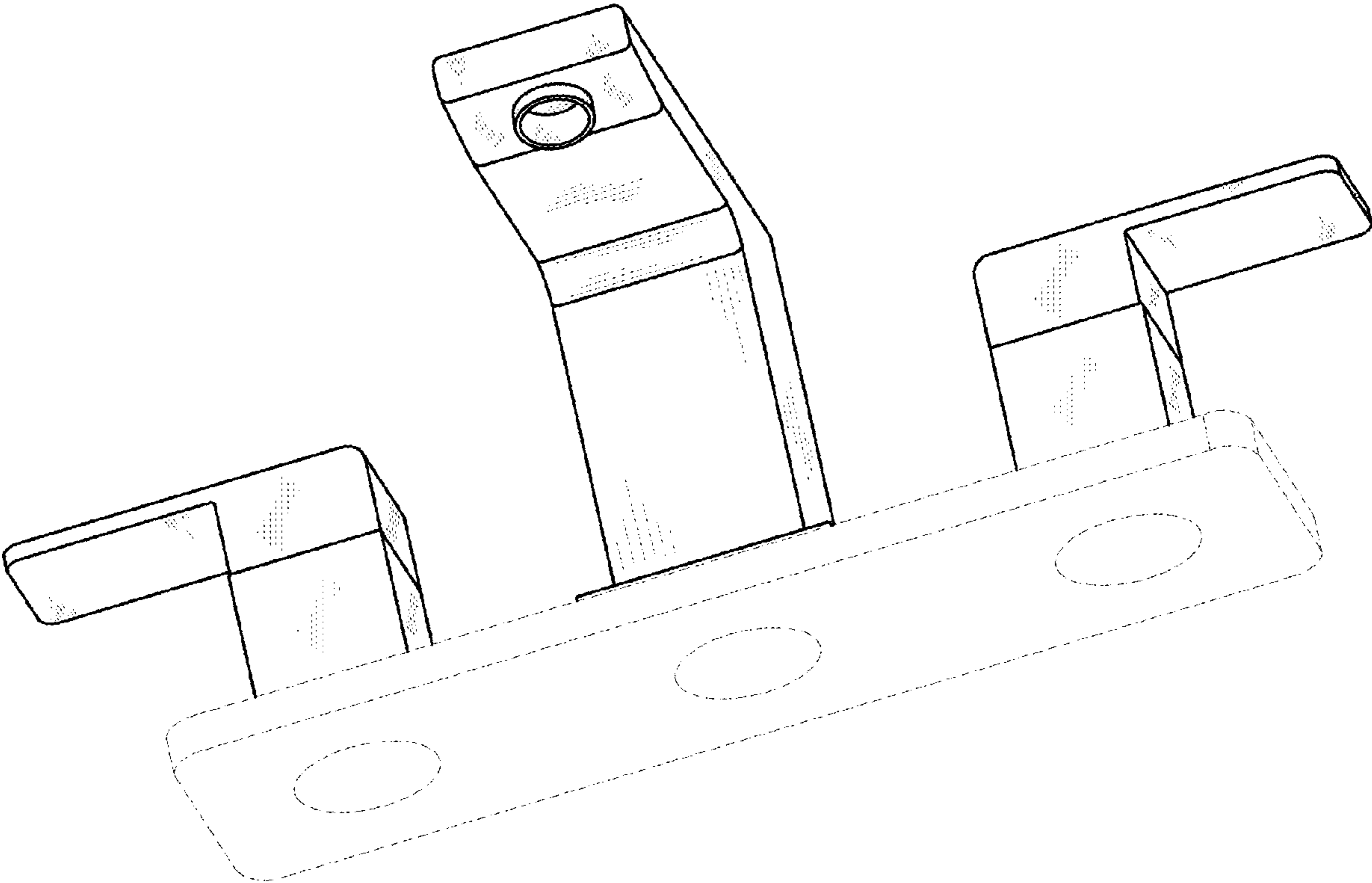


FIG. 2

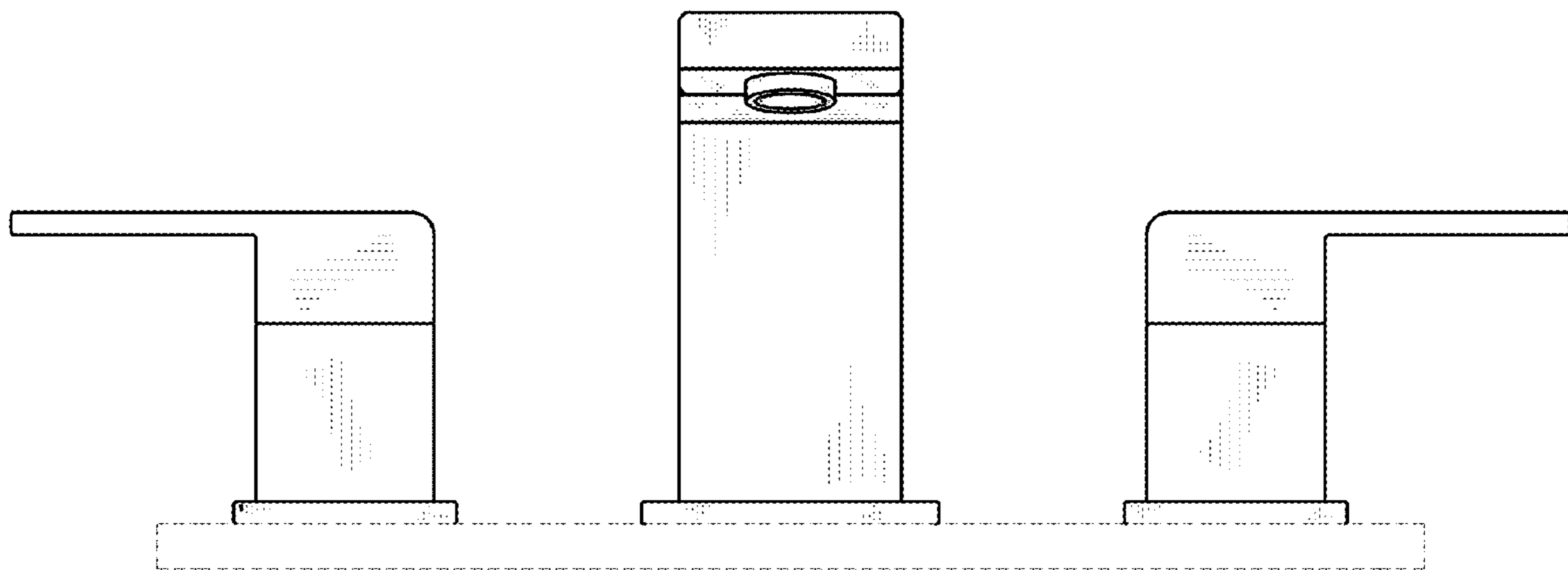


FIG. 3

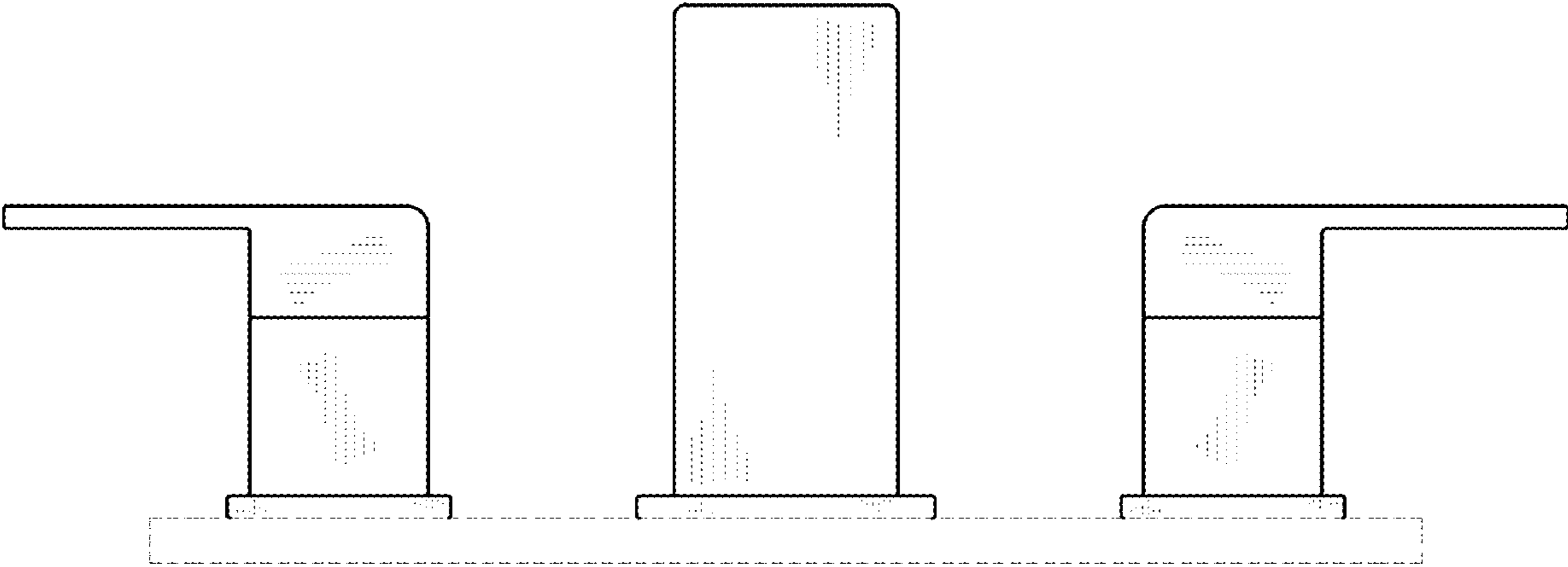


FIG.4

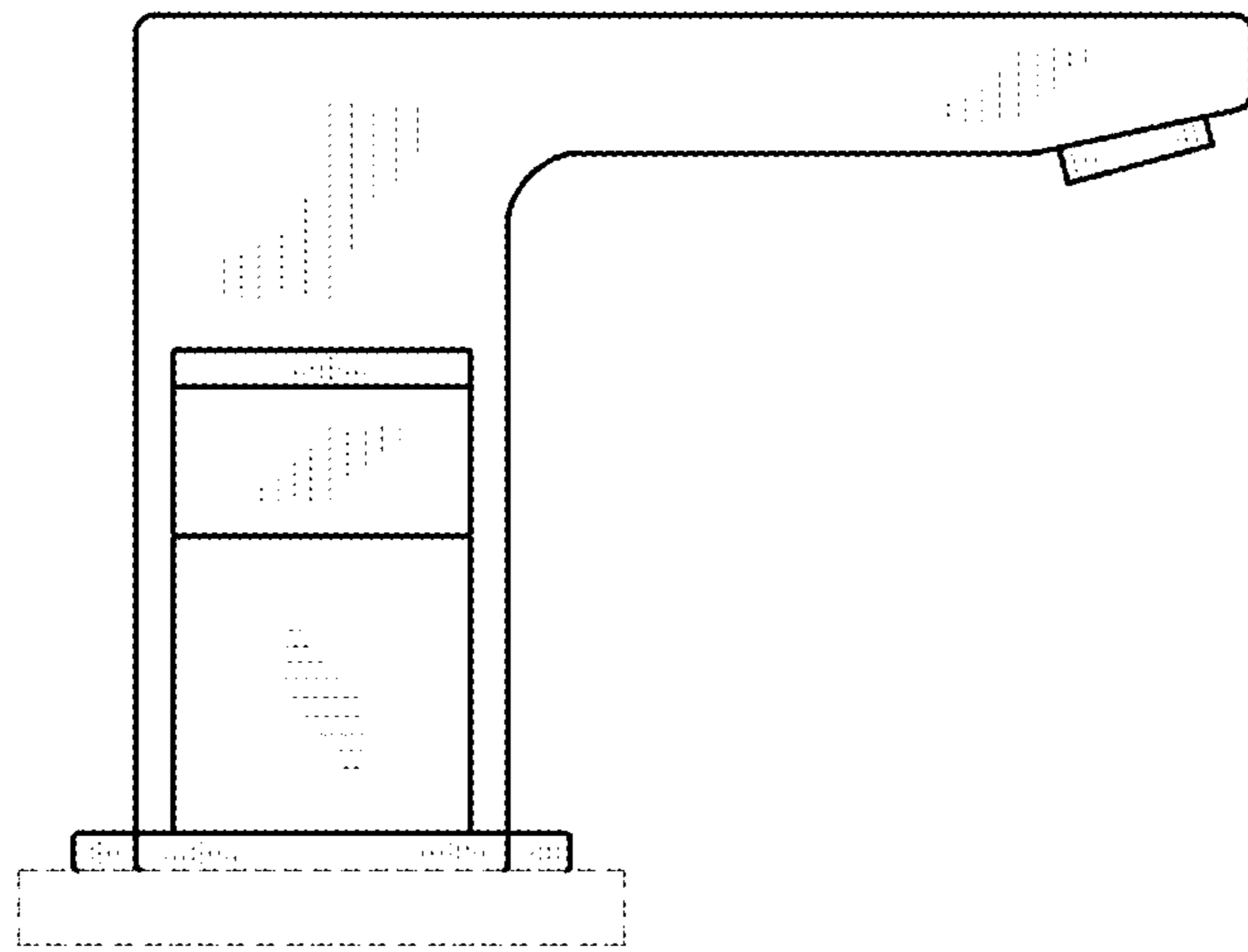


FIG. 5

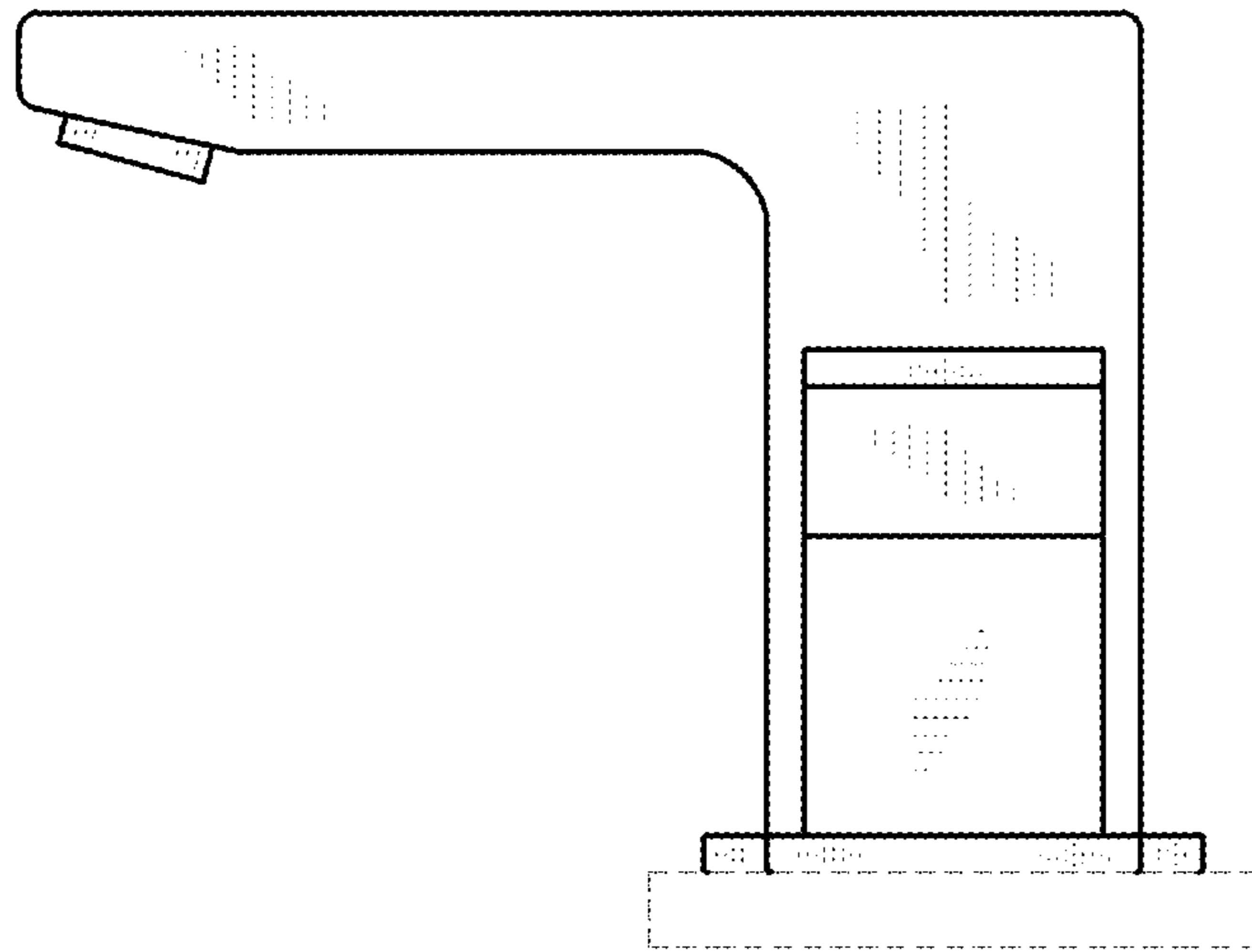


FIG.6

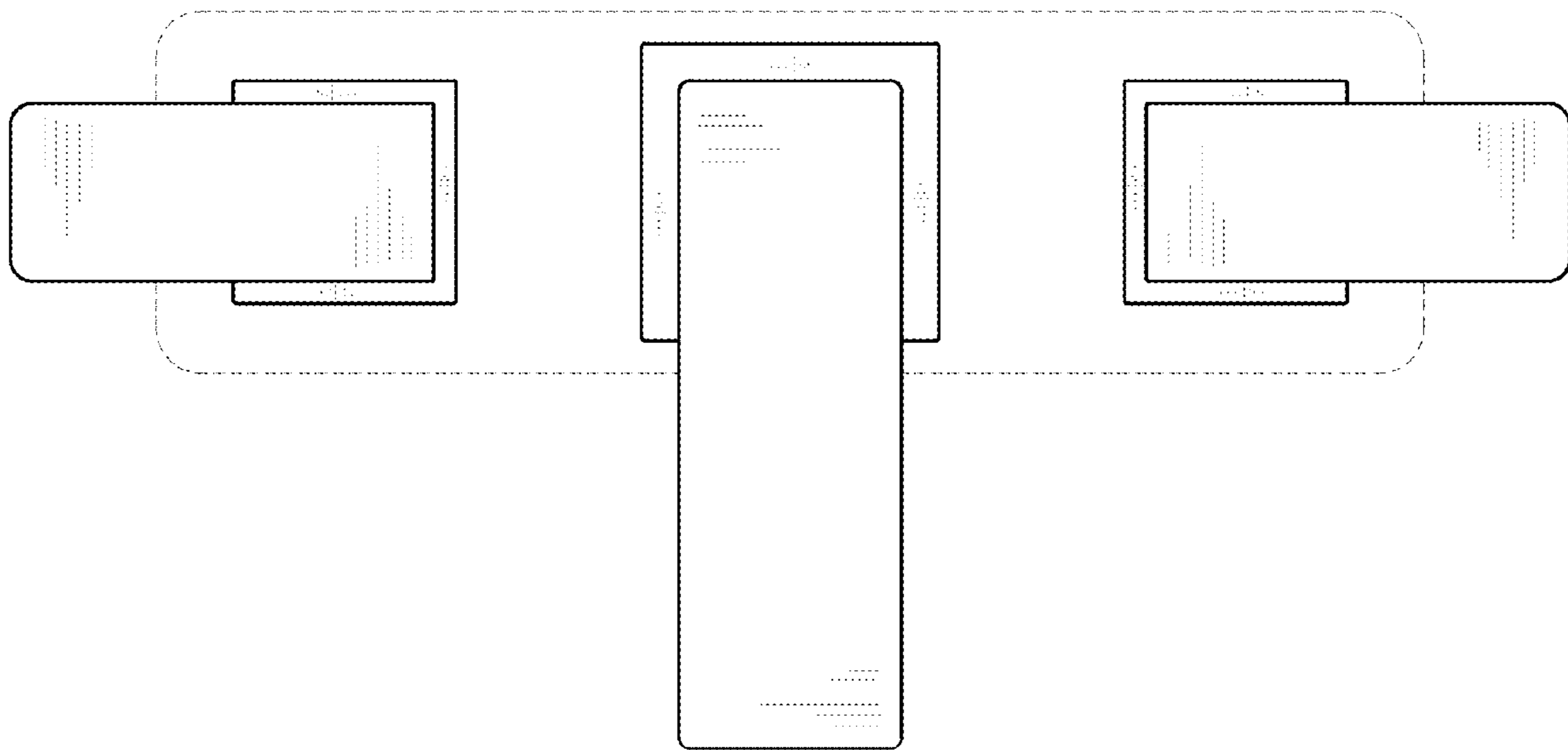


FIG. 7

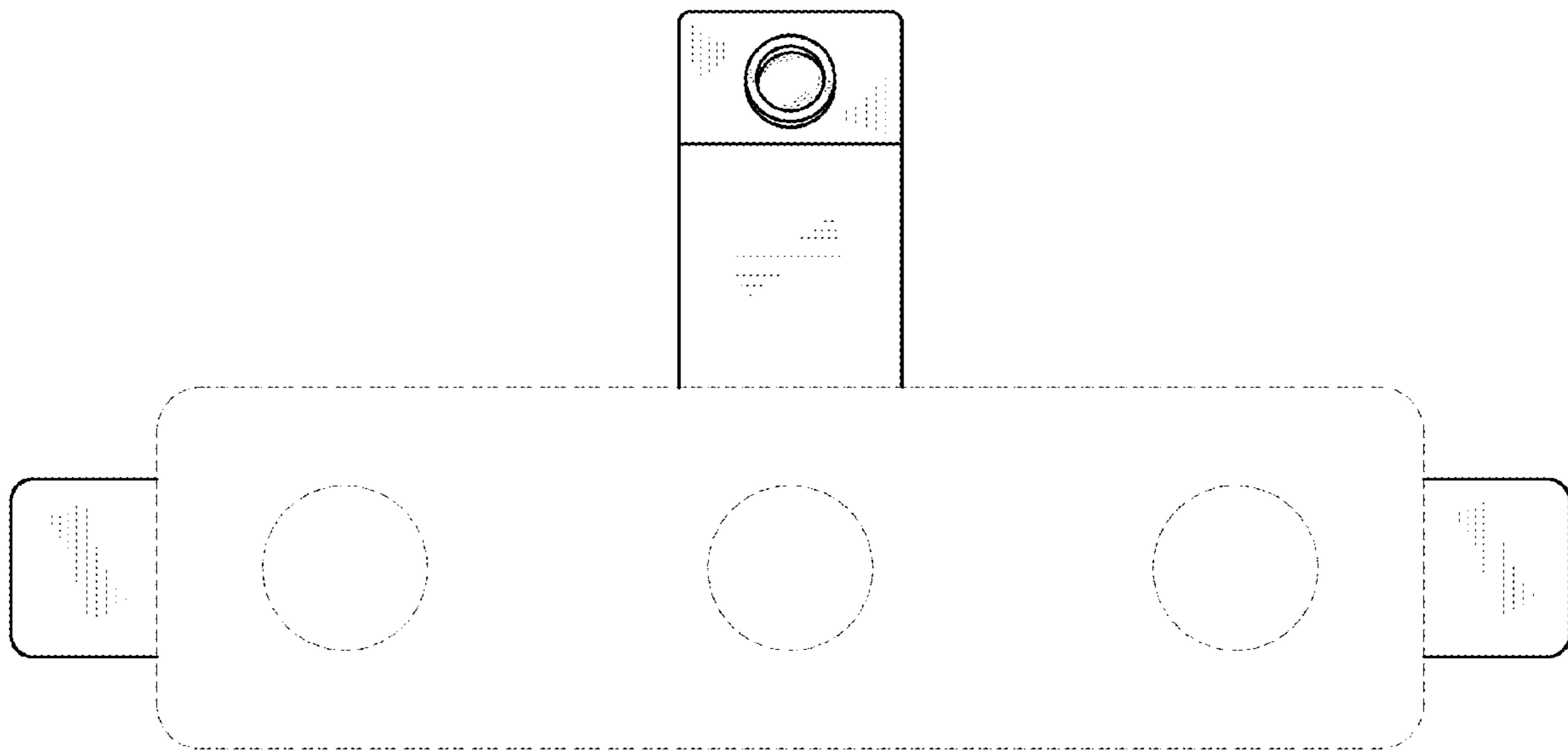


FIG.8