



US00D924368S

(12) **United States Design Patent** (10) **Patent No.:** **US D924,368 S**  
**Diefenbach** (45) **Date of Patent:** **\*\* Jul. 6, 2021**

(54) **FAUCET**  
(71) Applicant: **Hansgrohe SE**, Schiltach (DE)  
(72) Inventor: **Andreas Diefenbach**,  
Ludwigsburg-Oßweil (DE)  
(73) Assignee: **Hansgrohe SE**, Schiltach (DE)  
(\*\*) Term: **15 Years**

D708,716 S \* 7/2014 Ryu ..... D23/241  
D723,665 S \* 3/2015 Kulig ..... D23/238  
D764,631 S \* 8/2016 Schoenherr ..... D23/238  
D787,020 S \* 5/2017 Ziemann ..... D23/238  
D820,404 S \* 6/2018 Wieser ..... D23/239  
D820,406 S \* 6/2018 Wieser ..... D23/239  
D860,396 S \* 9/2019 Seum ..... D23/238  
D882,735 S \* 4/2020 Seum ..... D23/238  
D885,524 S \* 5/2020 Seum ..... D23/241  
2019/0194915 A1 \* 6/2019 Tsuruda ..... F16L 41/03

(21) Appl. No.: **29/701,901**  
(22) Filed: **Aug. 15, 2019**  
(30) **Foreign Application Priority Data**

Feb. 19, 2019 (EM) ..... 006260980-0009

(51) **LOC (13) Cl.** ..... **23-01**  
(52) **U.S. Cl.**  
USPC ..... **D23/241**

(58) **Field of Classification Search**  
USPC ..... D23/238, 239, 240, 241, 242, 243, 249,  
D23/250, 255, 256, 257; D6/524  
CPC ..... E03C 1/04; E03C 1/0401; E03C 1/0402;  
E03C 1/0404; E03C 1/0405; E03C  
1/0412; Y10T 137/9464  
See application file for complete search history.

(56) **References Cited**  
U.S. PATENT DOCUMENTS

D509,564 S \* 9/2005 Jorgensen ..... D23/238  
D509,565 S \* 9/2005 Starck ..... D23/238  
D510,611 S 10/2005 Jorgensen  
D529,583 S \* 10/2006 Zetsche ..... D23/238  
D589,119 S 3/2009 Oh  
D634,402 S \* 3/2011 Zetsche ..... D23/238  
D645,120 S \* 9/2011 Lammel ..... D23/238

**OTHER PUBLICATIONS**

Hansgrohe Aquino Select Kitchen Faucet, 2-Spray Pull-Out [Sep. 9, 2020] found online [Sep. 9, 2020]—<https://www.hansgrohe-USA.com/article/detail-aquino-select-kitchen-faucet-2-spray-pull-out-1-75-gpm-73836001>.\*

\* cited by examiner

*Primary Examiner* — John A Voytek  
(74) *Attorney, Agent, or Firm* — Lora J. Graentzdoerffer

(57) **CLAIM**

The ornamental design for a faucet, as shown and described.

**DESCRIPTION**

FIG. 1 is a perspective view of a faucet showing my design; FIG. 2 is a front elevation view; FIG. 3 is a rear elevation view; FIG. 4 is a right side elevation view; FIG. 5 is a left side elevation view; FIG. 6 is a top plan view; and, FIG. 7 is a bottom plan view. The broken-line disclosures in the view represents portions of the faucet in which the claimed design is embodied, but which forms no part of the claimed design.

**1 Claim, 7 Drawing Sheets**

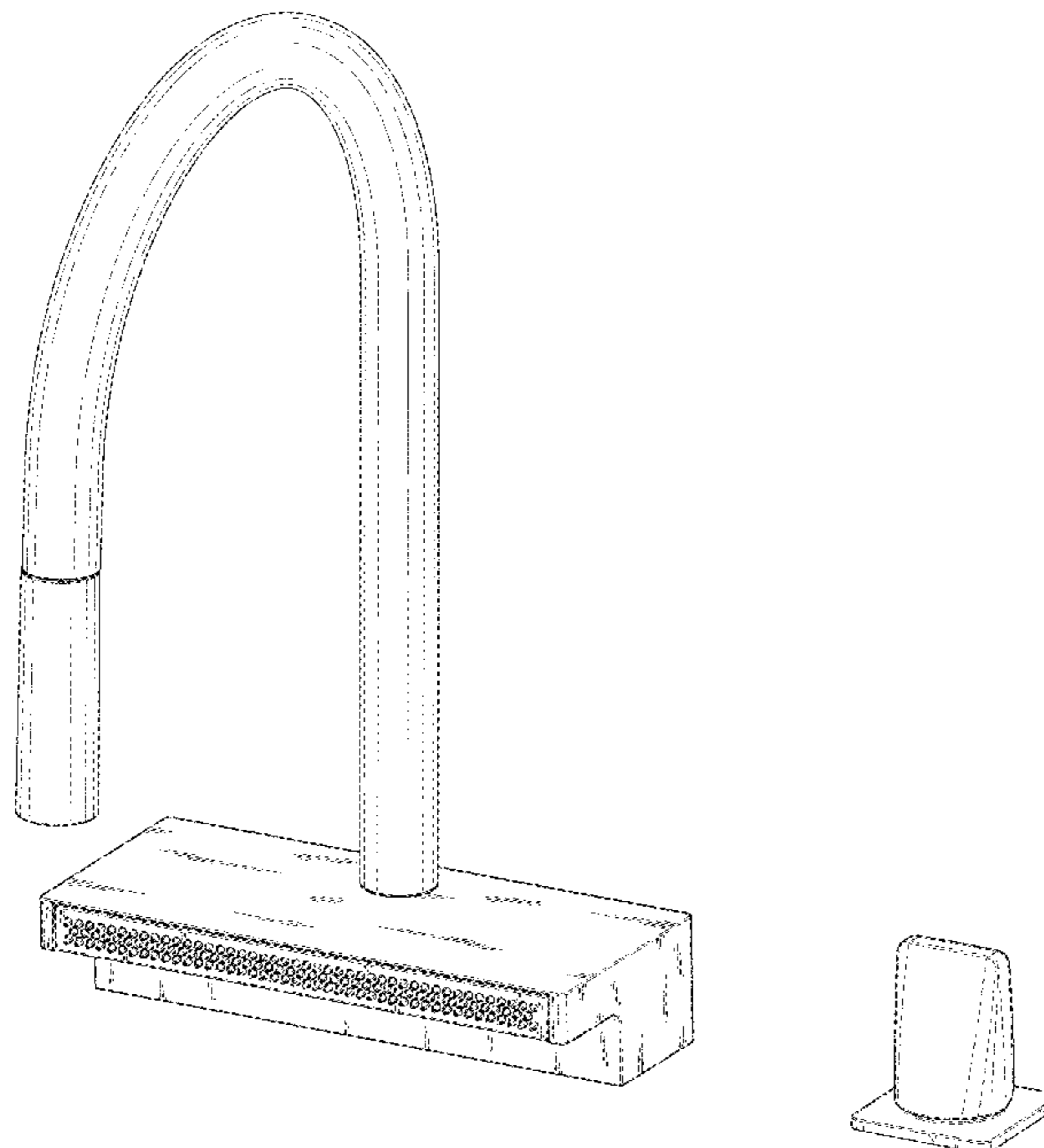


FIG. 1

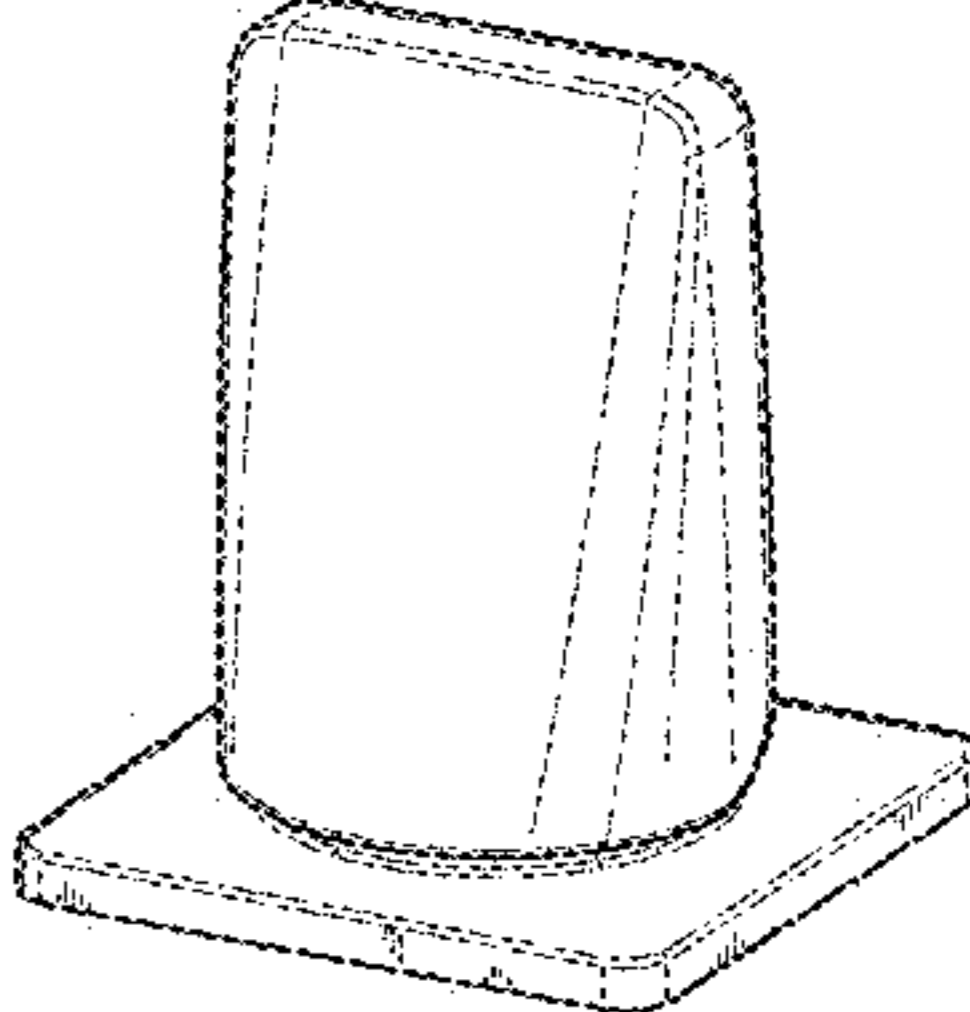
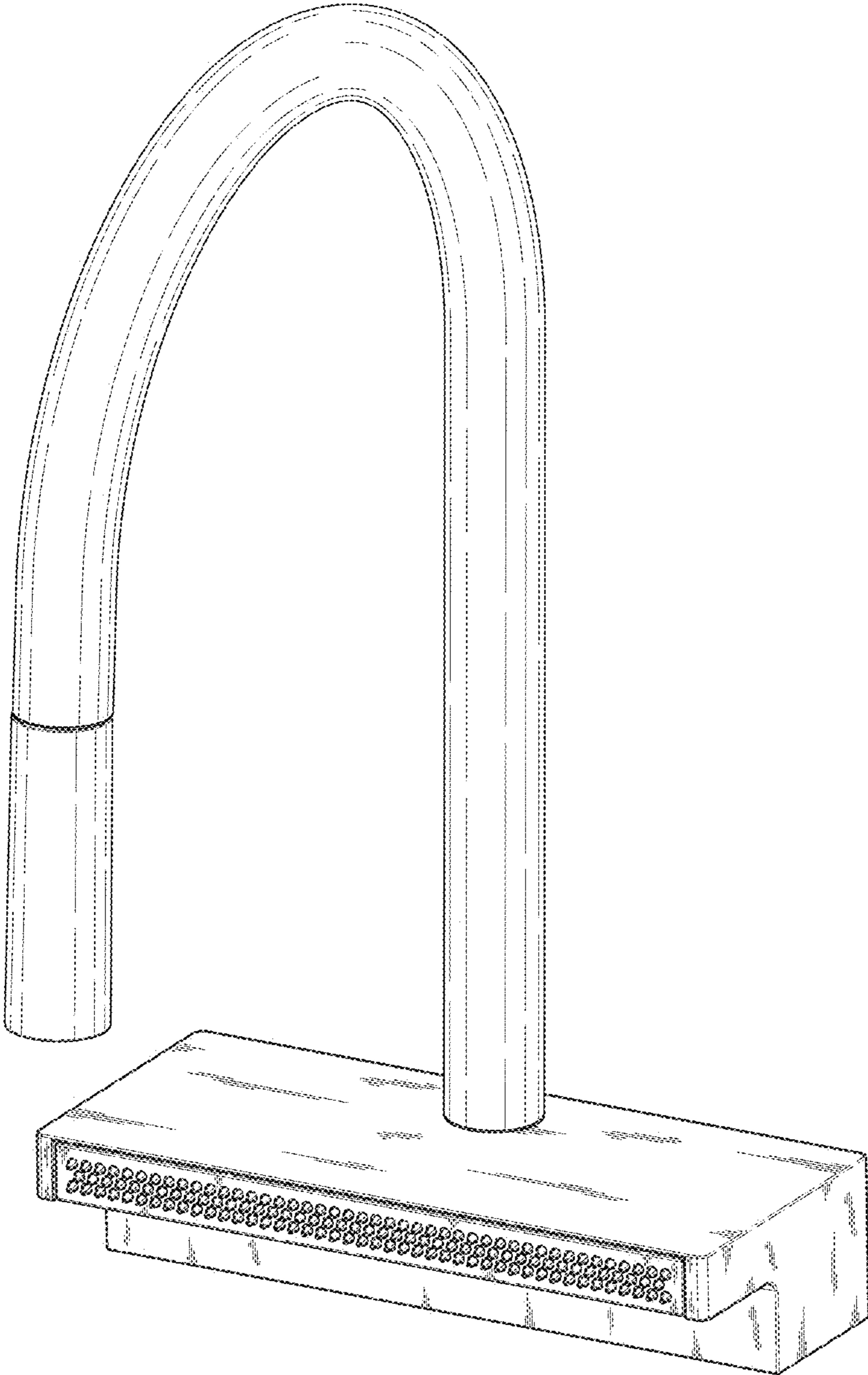


FIG. 2

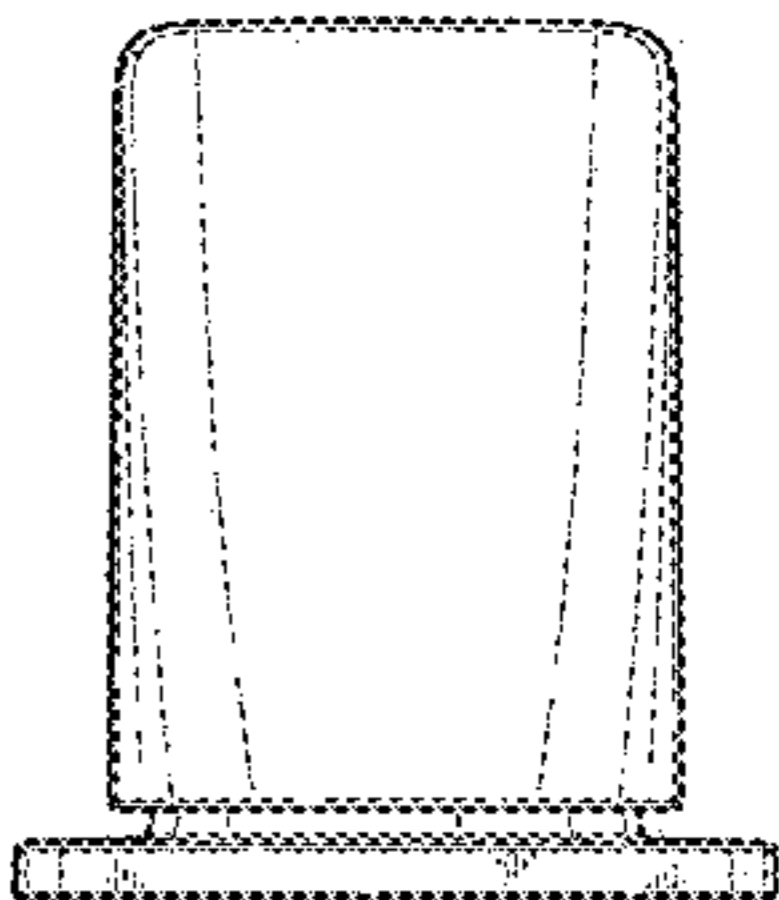
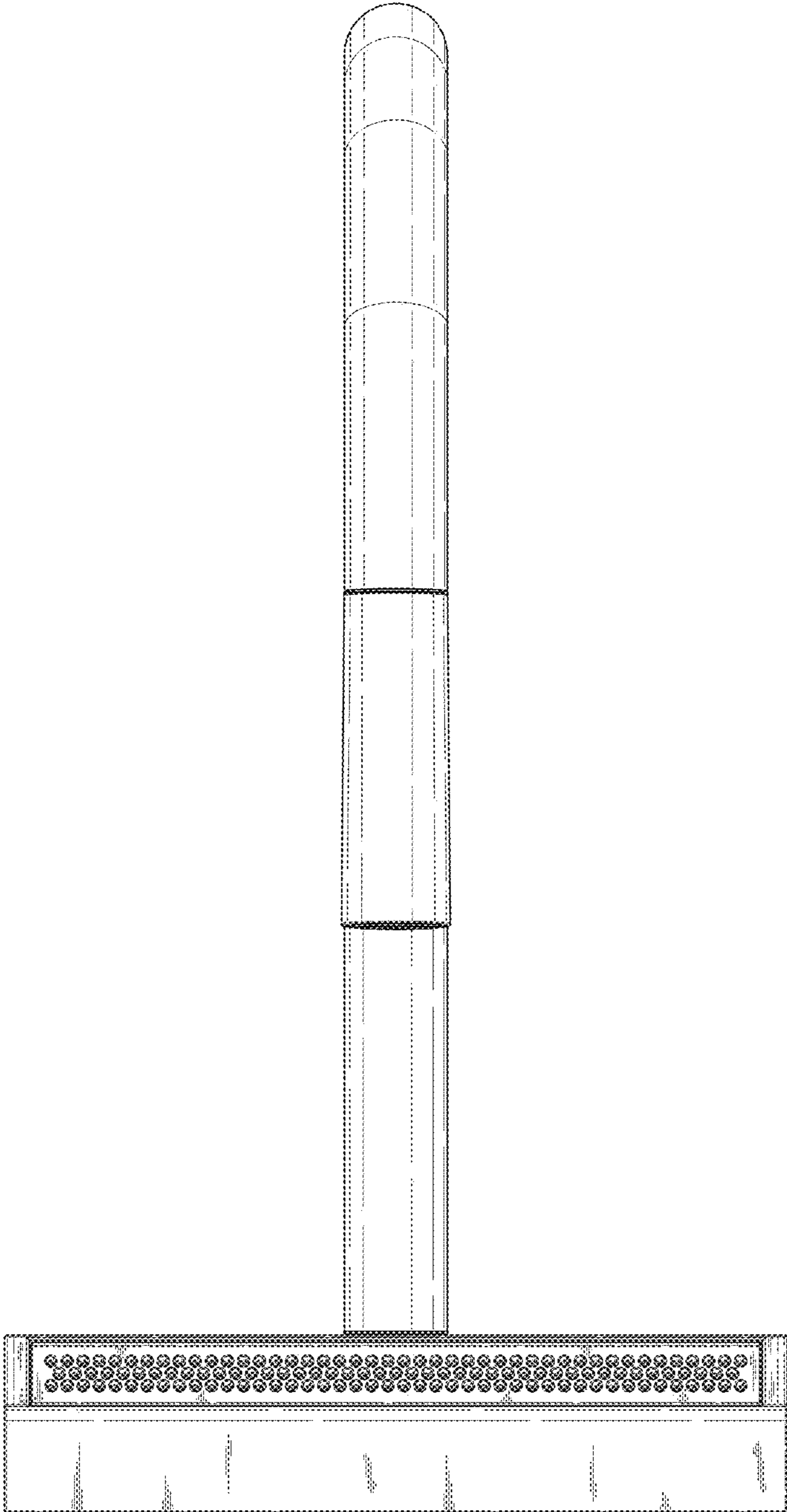


FIG. 3

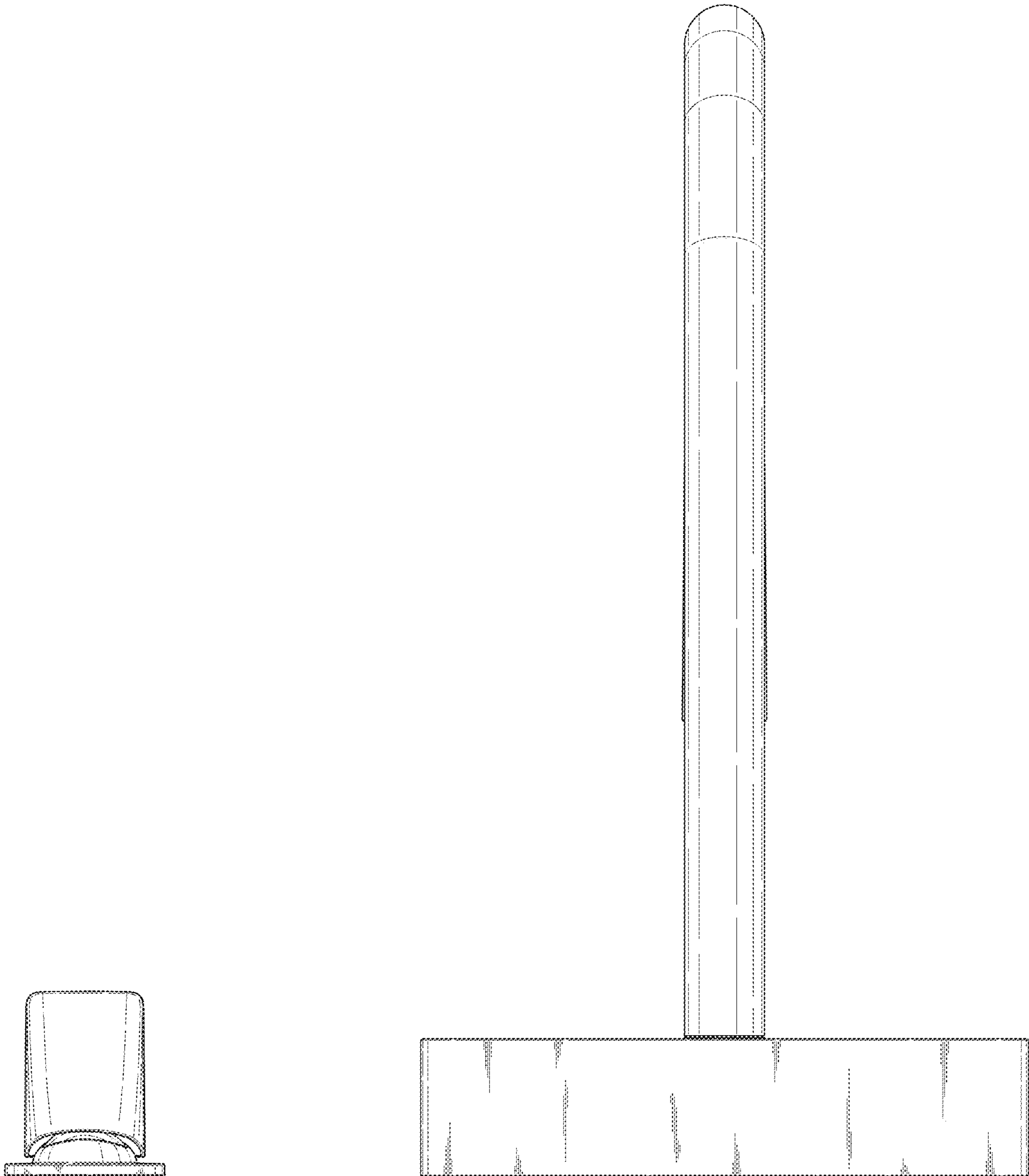


FIG. 4

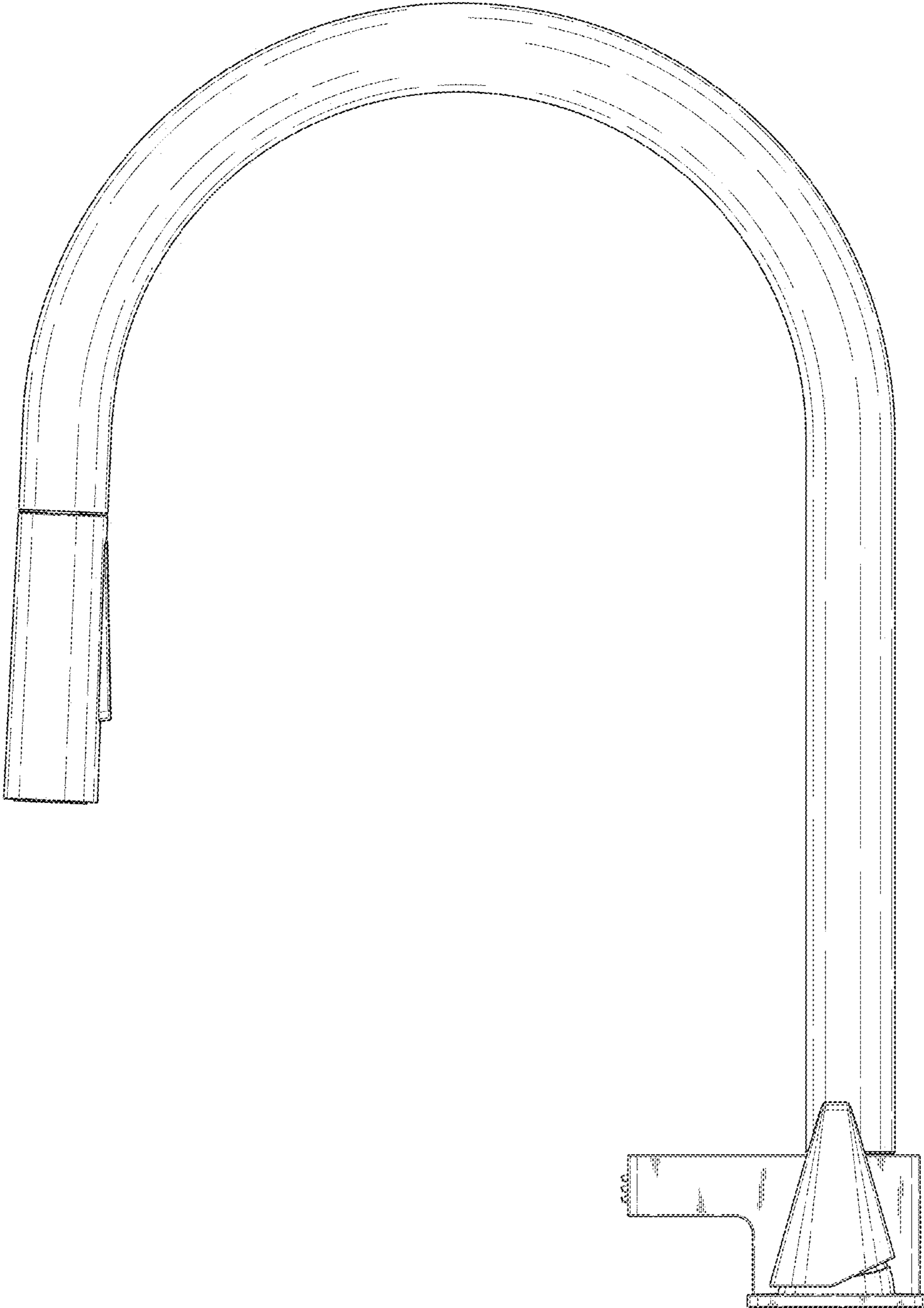


FIG. 5

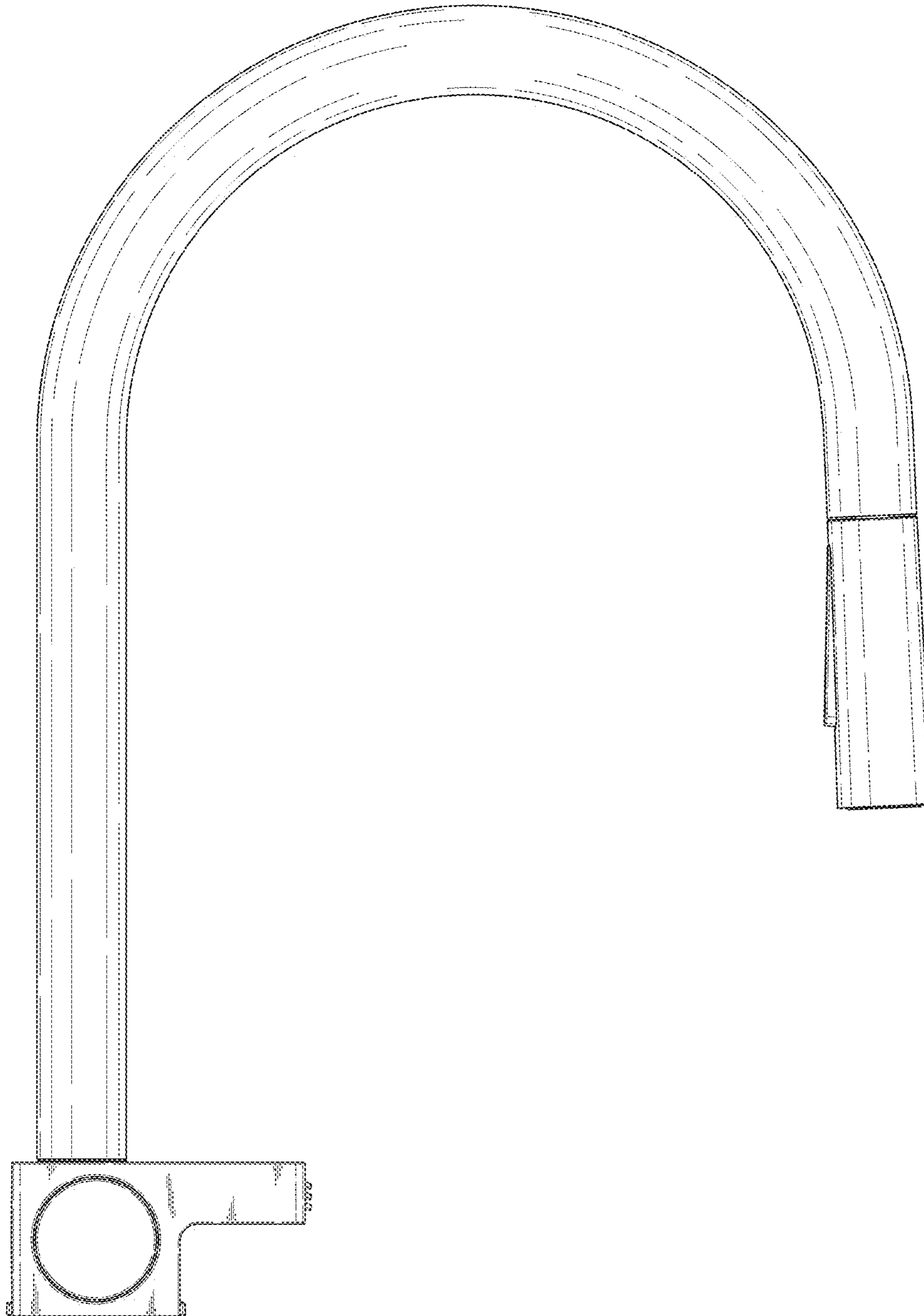


FIG. 6

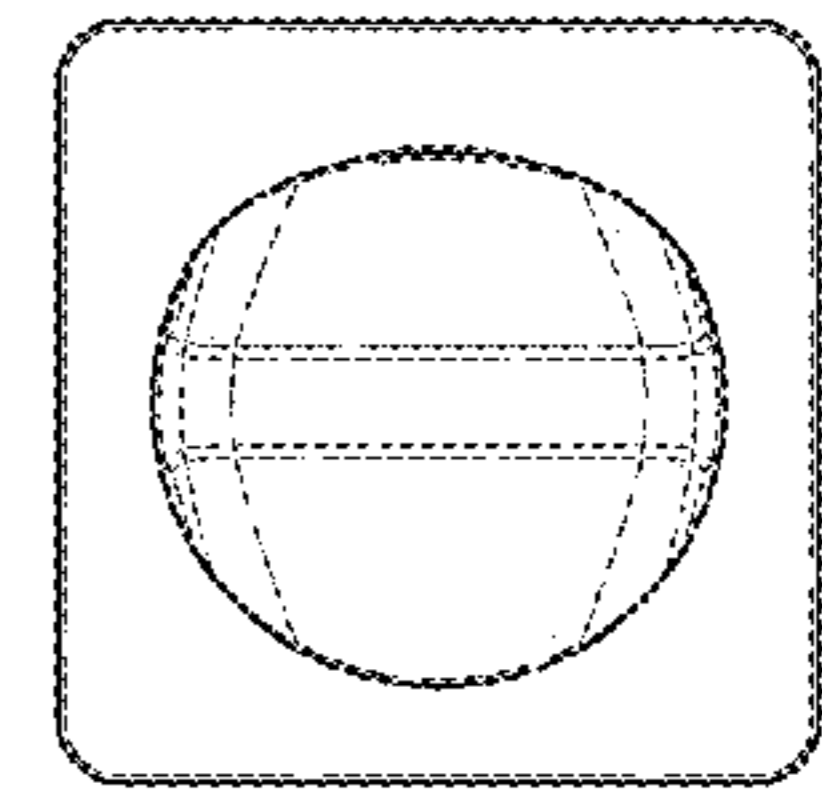
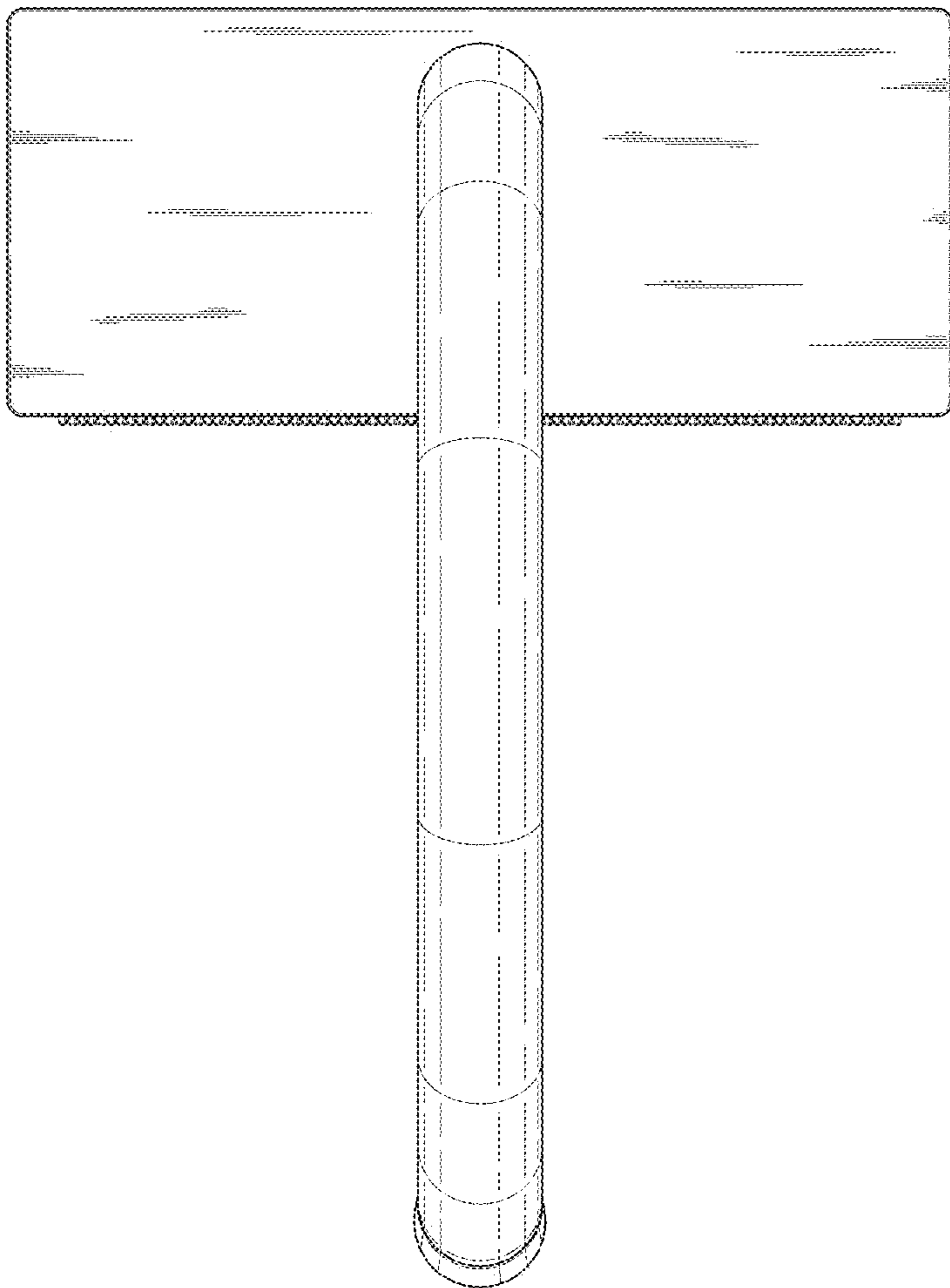


FIG. 7

