

US00D924365S

(12) **United States Design Patent**  
**Lazarini**

(10) **Patent No.:** **US D924,365 S**

(45) **Date of Patent:** **\*\* Jul. 6, 2021**

(54) **FAUCET BODY**

10,550,946 B2 \* 2/2020 Pirutin ..... E03C 1/0402  
D902,357 S \* 11/2020 Eads ..... D23/255  
D903,824 S \* 12/2020 Garland ..... D23/238

(71) Applicant: **DELTA FAUCET COMPANY,**  
Indianapolis, IN (US)

FOREIGN PATENT DOCUMENTS

(72) Inventor: **Alejandra Lazarini,** Carmel, IN (US)

CA 183168 \* 8/2018

(73) Assignee: **DELTA FAUCET COMPANY,**  
Indianapolis, IN (US)

OTHER PUBLICATIONS

(\*\*) Term: **15 Years**

Mid height bathroom faucet, announced Date unavailable[online],  
[site visited Mar. 11, 2021]. Available from internet, URL:<https://  
www.deltafaucet.com/bathroom/product/643-KS-DST (Year: 2021).\*

(21) Appl. No.: **29/720,202**

\* cited by examiner

(22) Filed: **Jan. 10, 2020**

*Primary Examiner* — Barbara Fox

(51) **LOC (13) Cl.** ..... **23-01**

*Assistant Examiner* — Jamaal Rasheed

(52) **U.S. Cl.**  
USPC ..... **D23/238**

(74) *Attorney, Agent, or Firm* — Nirav D. Parikh; Edgar  
A. Zarins

(58) **Field of Classification Search**  
USPC ..... D23/238–244, 252, 254–255, 257;  
D8/307–308  
CPC .... F16K 31/602; F16K 31/605; F16K 31/607;  
E03C 1/0412

(57) **CLAIM**

The ornamental design for a faucet body, as shown and  
described.

See application file for complete search history.

**DESCRIPTION**

(56) **References Cited**

FIG. 1 is a front perspective view of a faucet body showing  
my new design;

U.S. PATENT DOCUMENTS

D578,617 S \* 10/2008 Urquiola ..... D23/255  
D769,418 S \* 10/2016 Eads ..... D23/238  
D785,436 S \* 5/2017 Carlino ..... D8/308  
D820,399 S \* 6/2018 Garland ..... D23/238  
D846,079 S \* 4/2019 Garland ..... D23/238  
D846,710 S \* 4/2019 Garland ..... D23/255  
D848,577 S \* 5/2019 Garland ..... D23/255  
D855,768 S \* 8/2019 Eads ..... D23/238

FIG. 2 is a rear perspective view thereof;

FIG. 3 is a front elevational view thereof;

FIG. 4 is a left side view thereof;

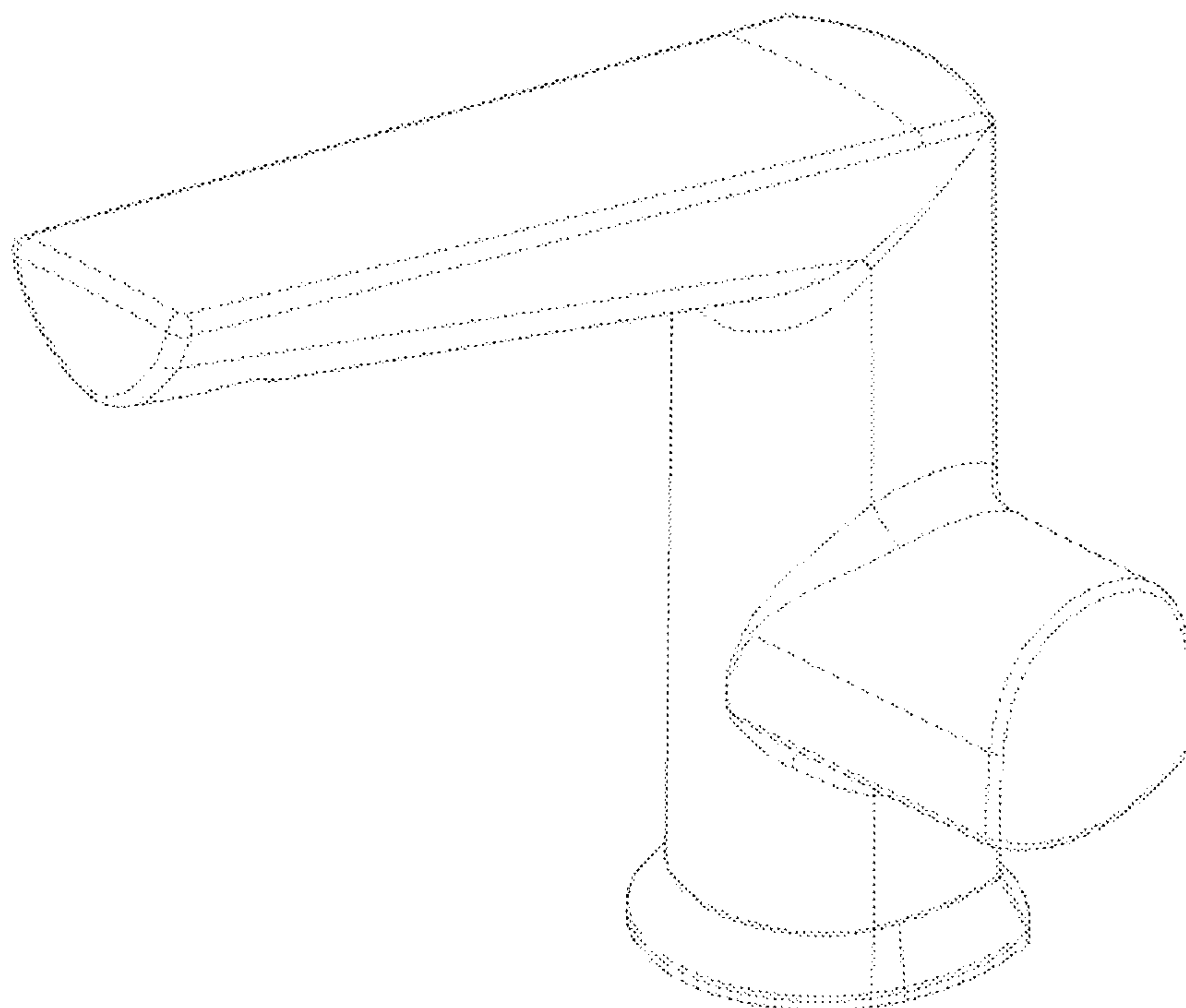
FIG. 5 is a rear view thereof;

FIG. 6 is a right side view thereof;

FIG. 7 is a top plan view thereof; and,

FIG. 8 is a bottom view thereof.

**1 Claim, 4 Drawing Sheets**



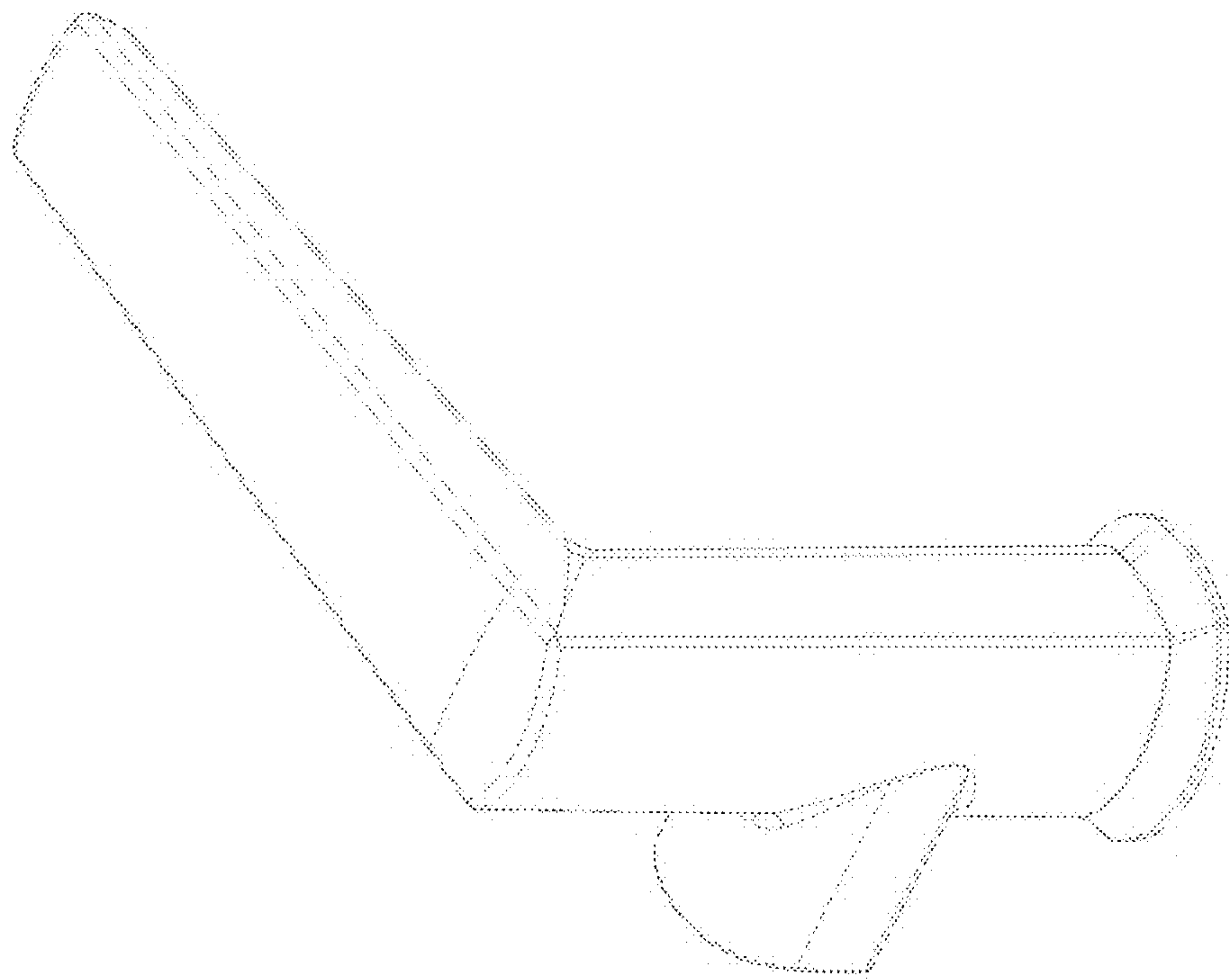


FIG. 1

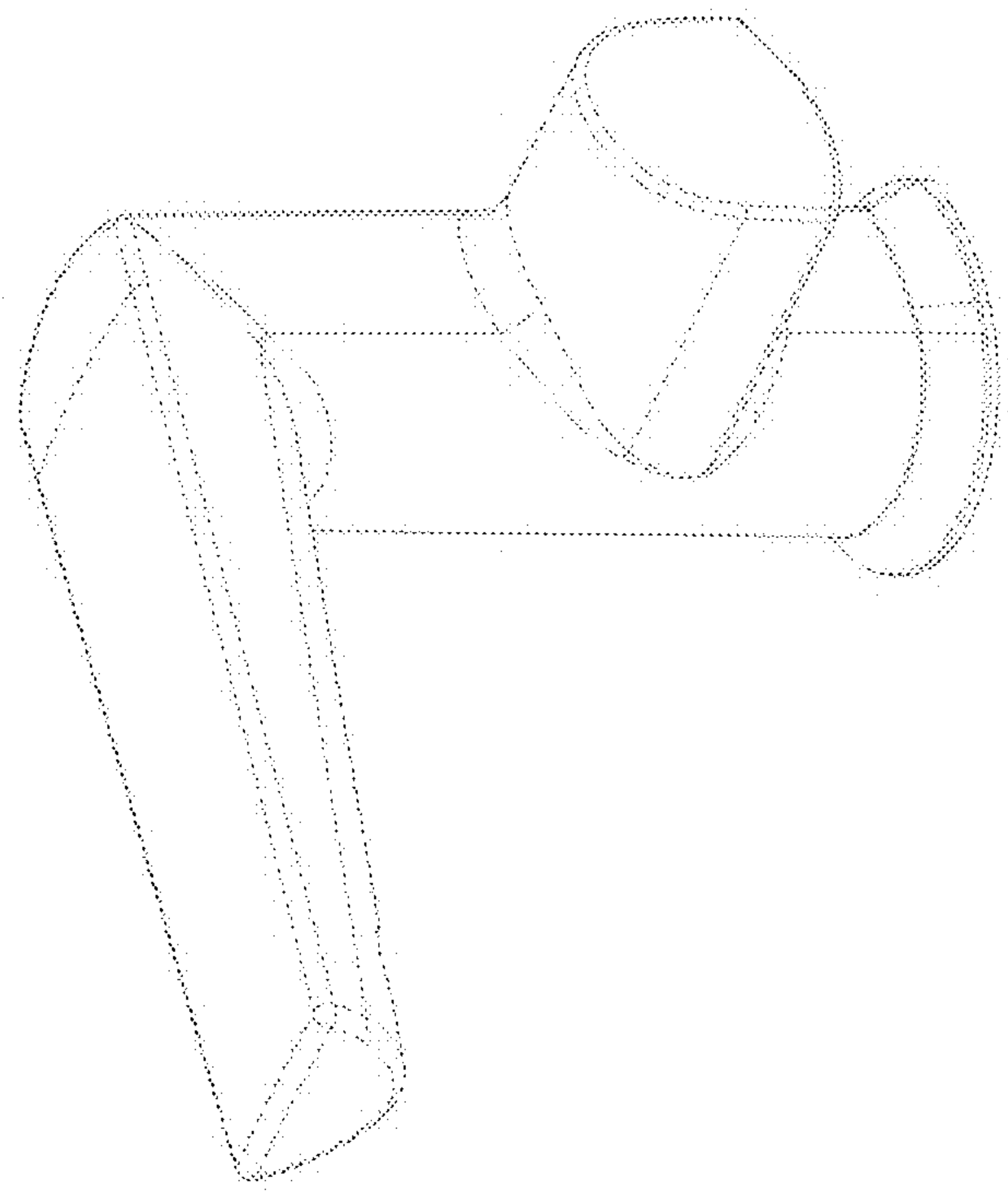


FIG. 2

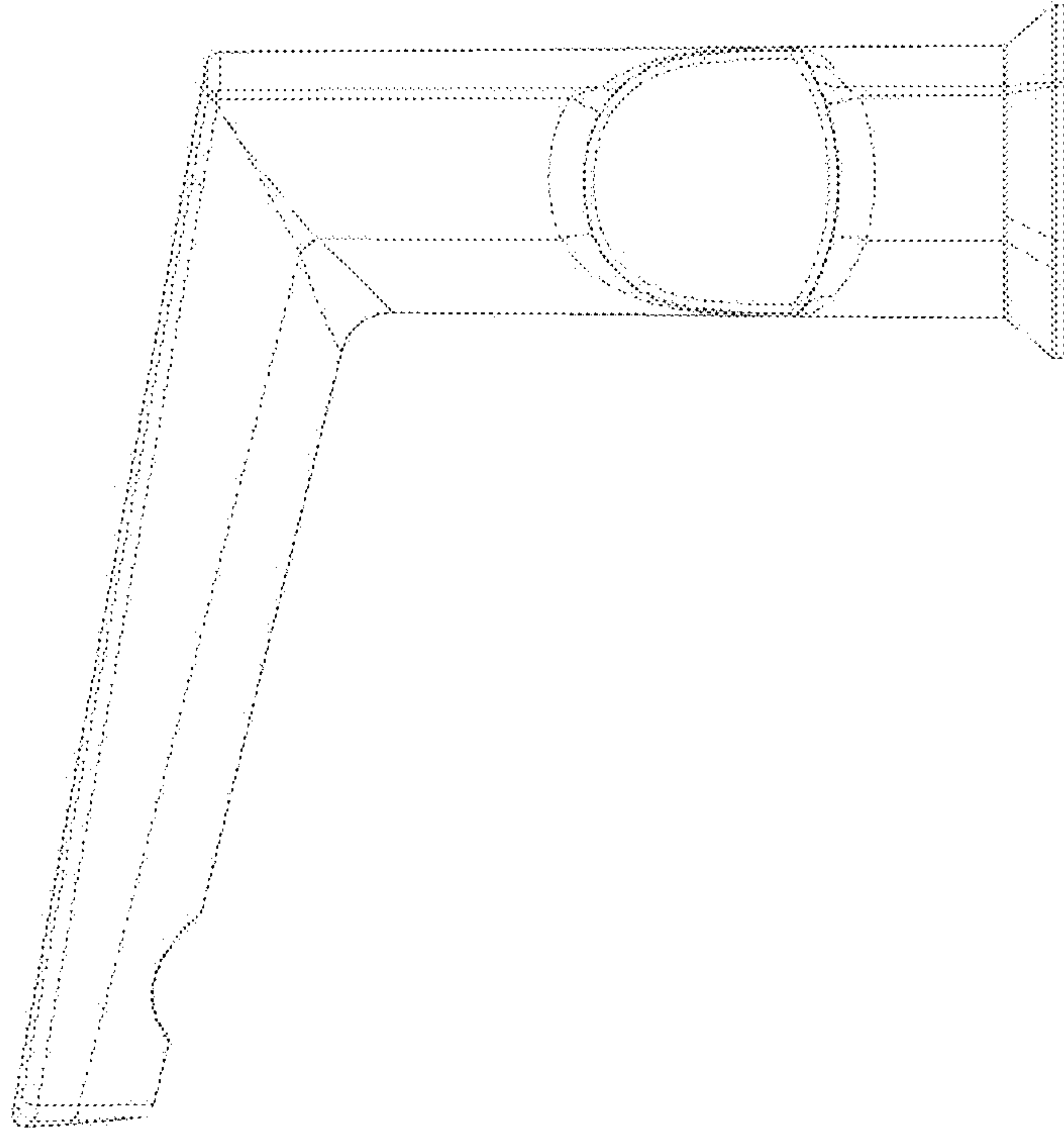


FIG. 4

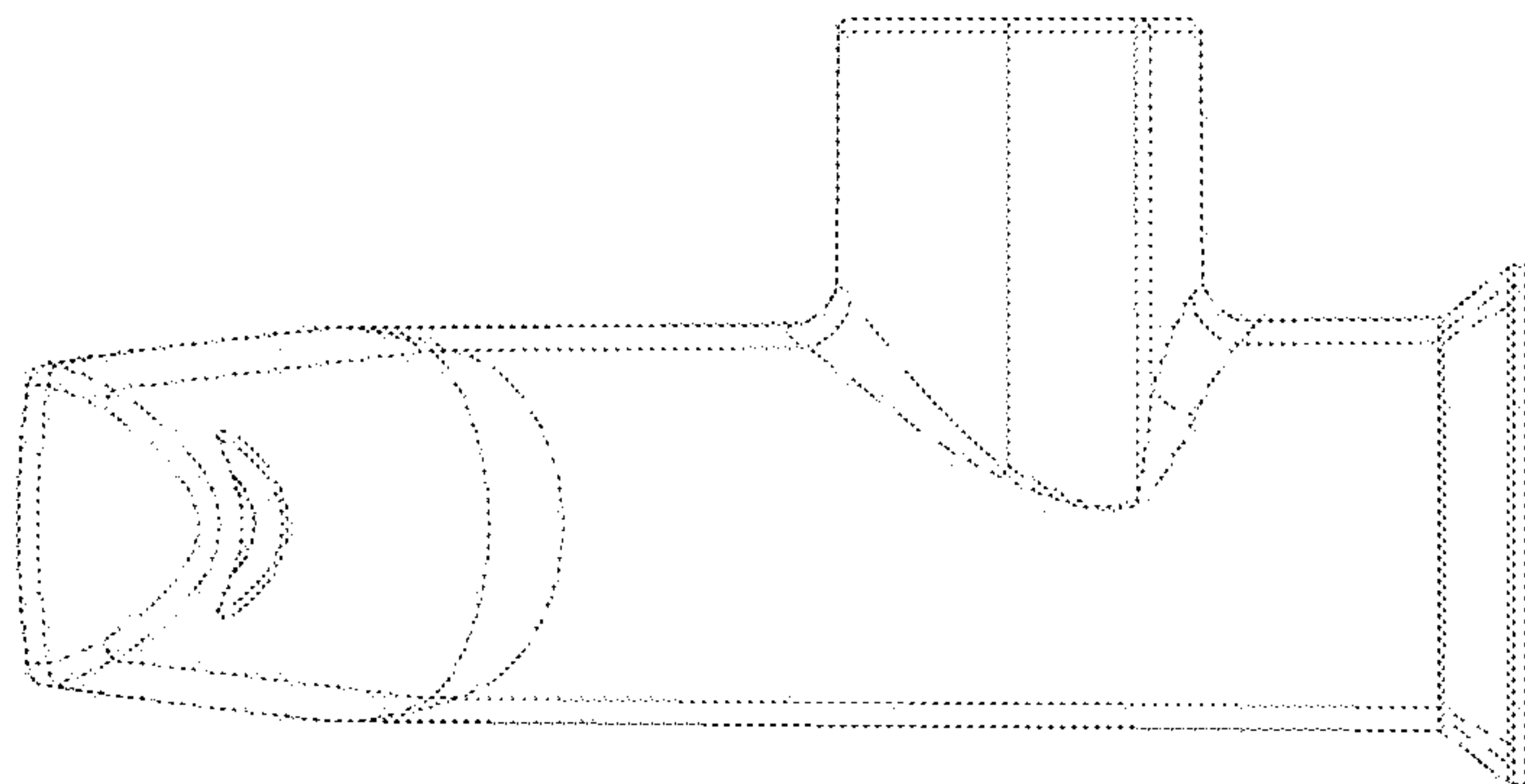


FIG. 3

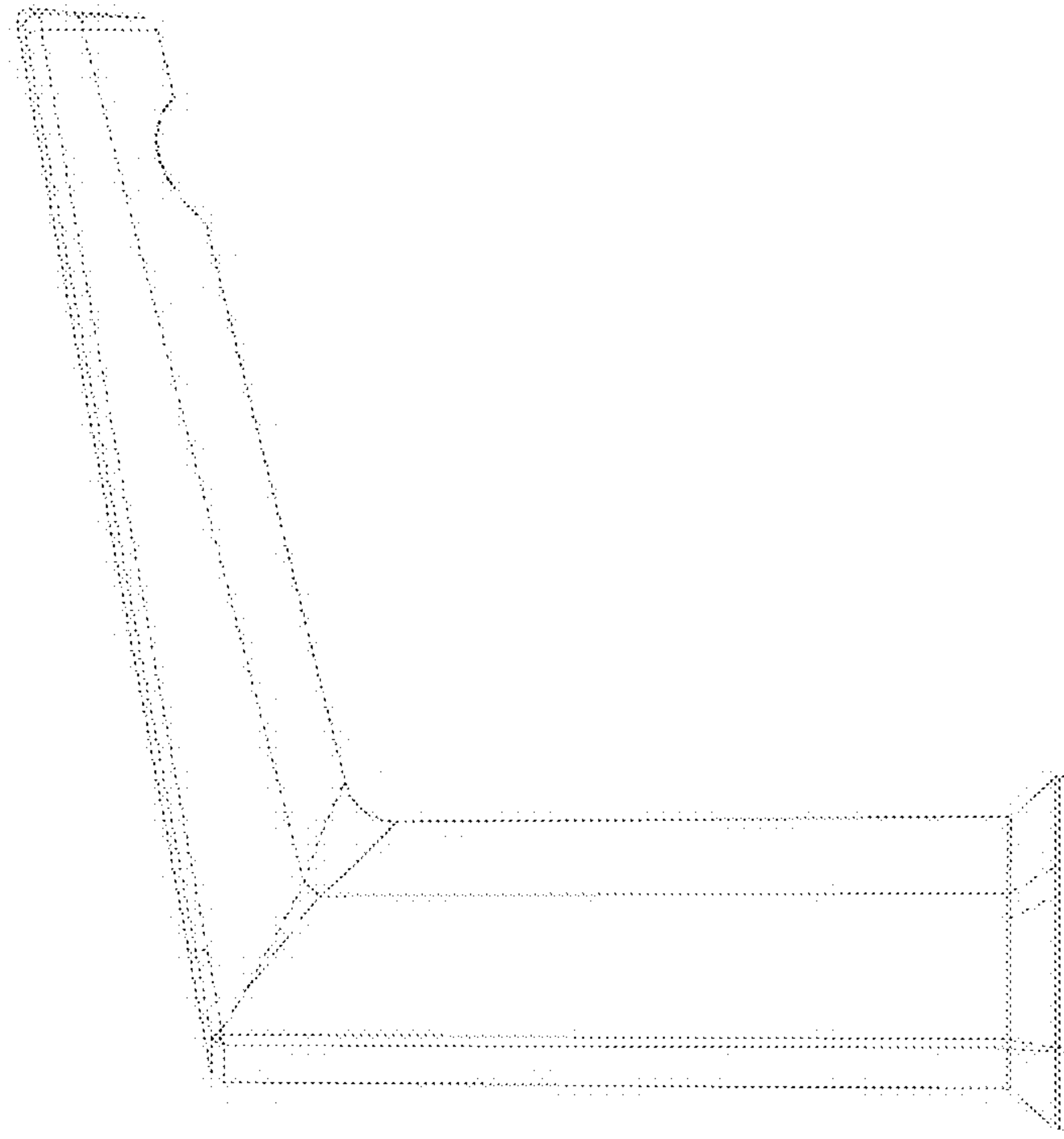


FIG. 6

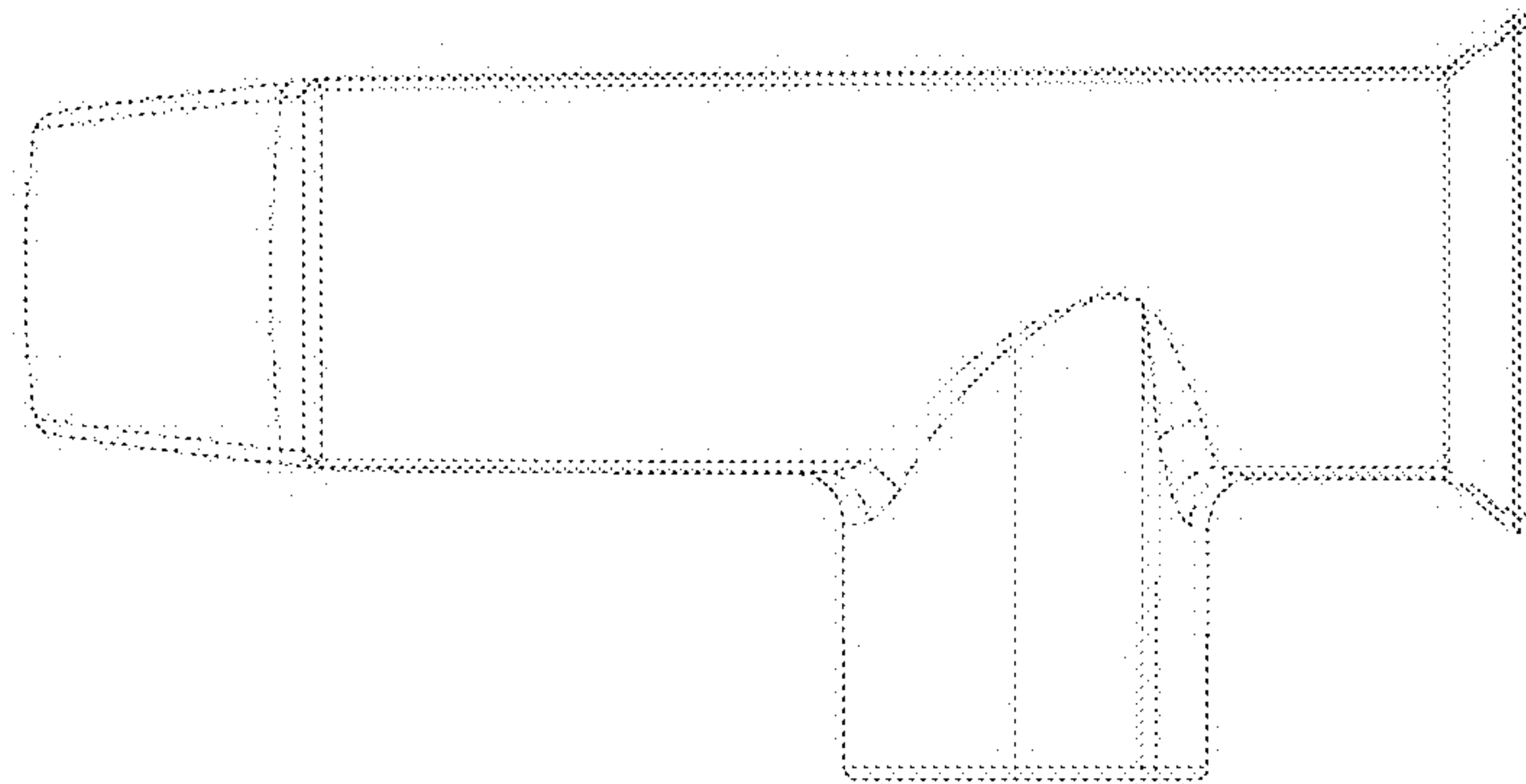


FIG. 7

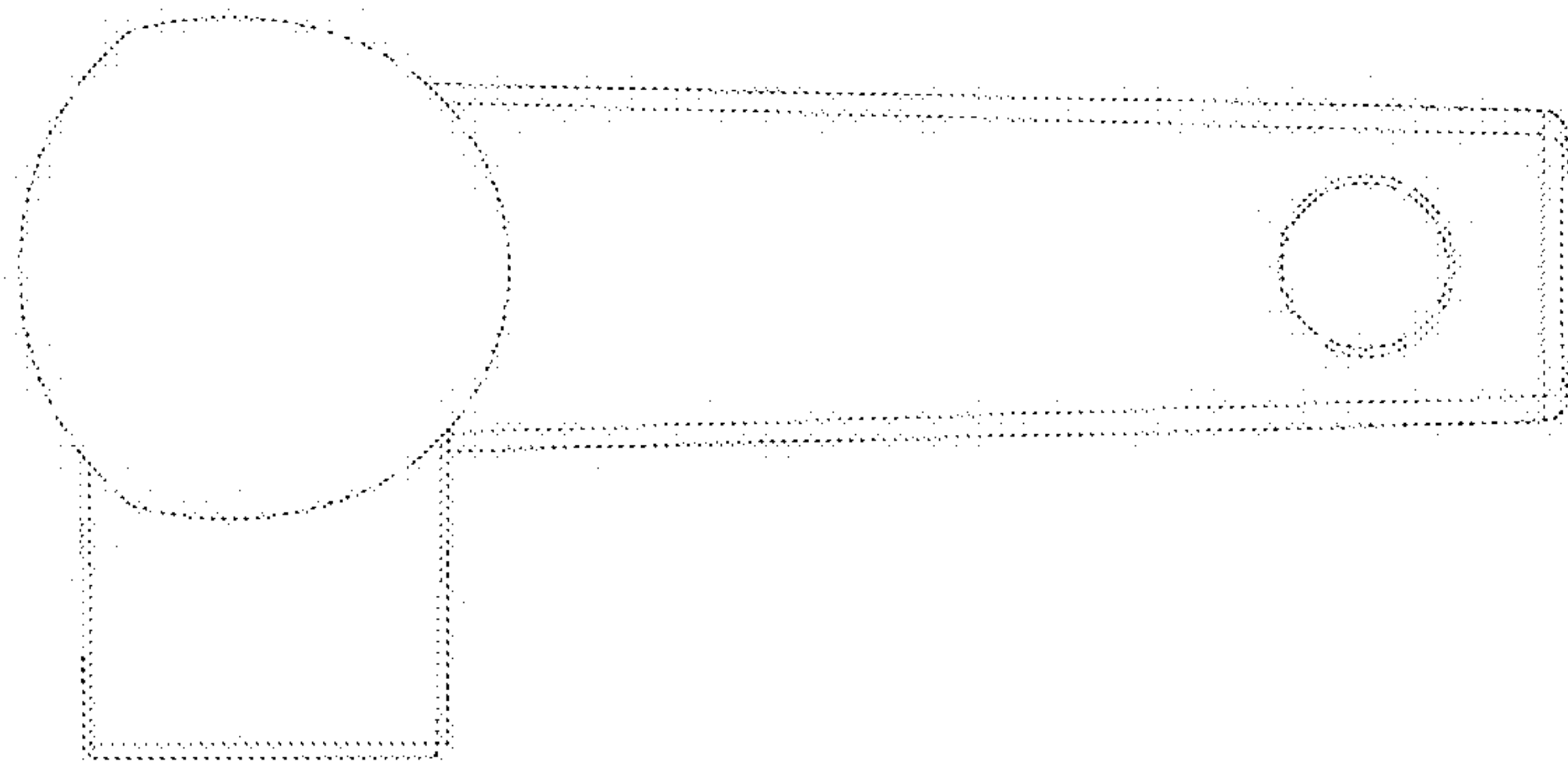


FIG. 8

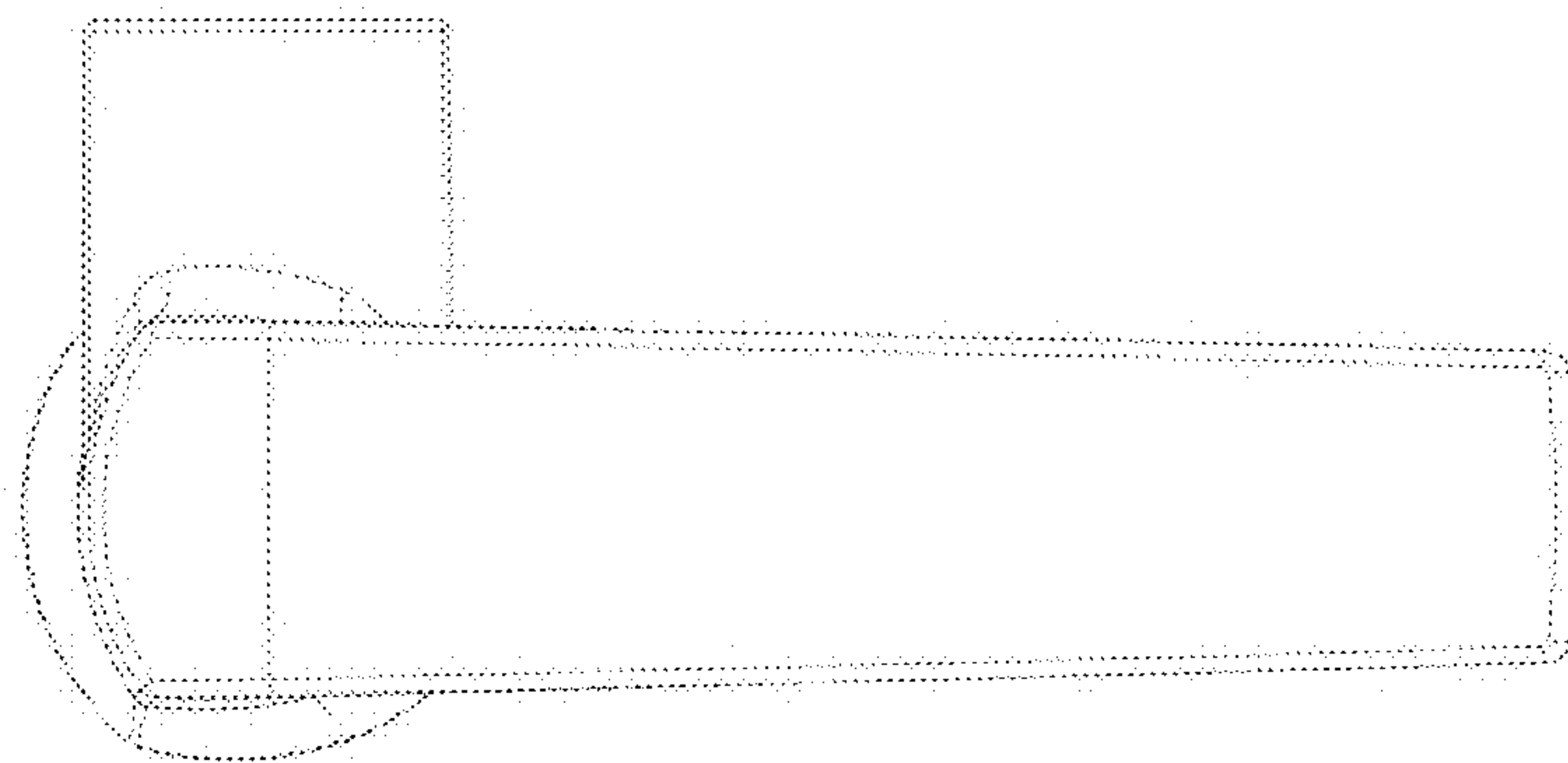


FIG. 9