



US00D924364S

(12) **United States Design Patent**
Lazarini

(10) **Patent No.:** **US D924,364 S**

(45) **Date of Patent:** **** Jul. 6, 2021**

(54) **FAUCET**

10,550,946 B2 * 2/2020 Pirutin E03C 1/0402
D902,357 S * 11/2020 Eads D23/255
D903,824 S * 12/2020 Garland D23/238

(71) Applicant: **DELTA FAUCET COMPANY,**
Indianapolis, IN (US)

FOREIGN PATENT DOCUMENTS

(72) Inventor: **Alejandra Lazarini,** Carmel, IN (US)

CA 183168 * 8/2018

(73) Assignee: **DELTA FAUCET COMPANY,**
Indianapolis, IN (US)

OTHER PUBLICATIONS

(**) Term: **15 Years**

Mid height bathroom faucet, announced Date unavailable[online],
[site visited Mar. 11, 2021]. Available from internet, URL:<https://
www.deltafaucet.com/bathroom/product/643-KS-DST (Year: 2021).*

(21) Appl. No.: **29/720,180**

* cited by examiner

(22) Filed: **Jan. 10, 2020**

(51) **LOC (13) Cl.** **23-01**

Primary Examiner — Barbara Fox

(52) **U.S. Cl.**

Assistant Examiner — Jamaal Rasheed

USPC **D23/238**

(74) *Attorney, Agent, or Firm* — Nirav D. Parikh; Edgar
A. Zarins

(58) **Field of Classification Search**

USPC D23/238; D8/307–308

(57) **CLAIM**

CPC F16K 31/602; F16K 31/605; F16K 31/607;

The ornamental design for a faucet, as shown and described.

E03C 1/0412

See application file for complete search history.

DESCRIPTION

(56) **References Cited**

FIG. 1 is a front perspective view of a faucet showing my
new design;

U.S. PATENT DOCUMENTS

D578,617 S * 10/2008 Urquiola D23/255
D769,418 S * 10/2016 Eads D23/238
D785,436 S * 5/2017 Carlino D8/308
D820,399 S * 6/2018 Garland D23/238
D846,079 S * 4/2019 Garland D23/238
D846,710 S * 4/2019 Garland D23/255
D848,577 S * 5/2019 Garland D23/255
D855,768 S * 8/2019 Eads D23/238

FIG. 2 is a rear perspective view thereof;

FIG. 3 is a front elevational view thereof;

FIG. 4 is a left side view thereof;

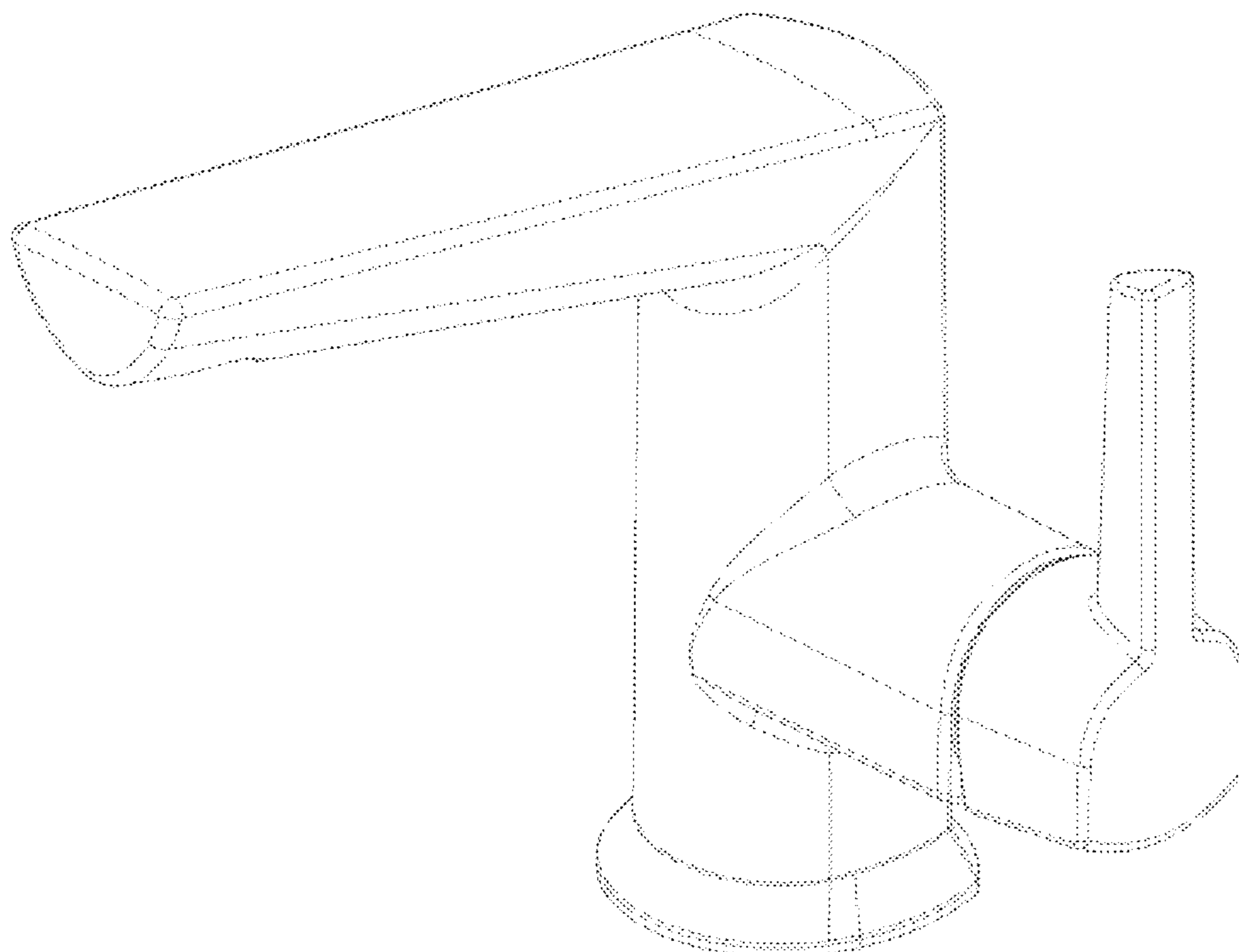
FIG. 5 is a rear view thereof;

FIG. 6 is a right side view thereof;

FIG. 7 is a top plan view thereof; and,

FIG. 8 is a bottom view thereof.

1 Claim, 4 Drawing Sheets



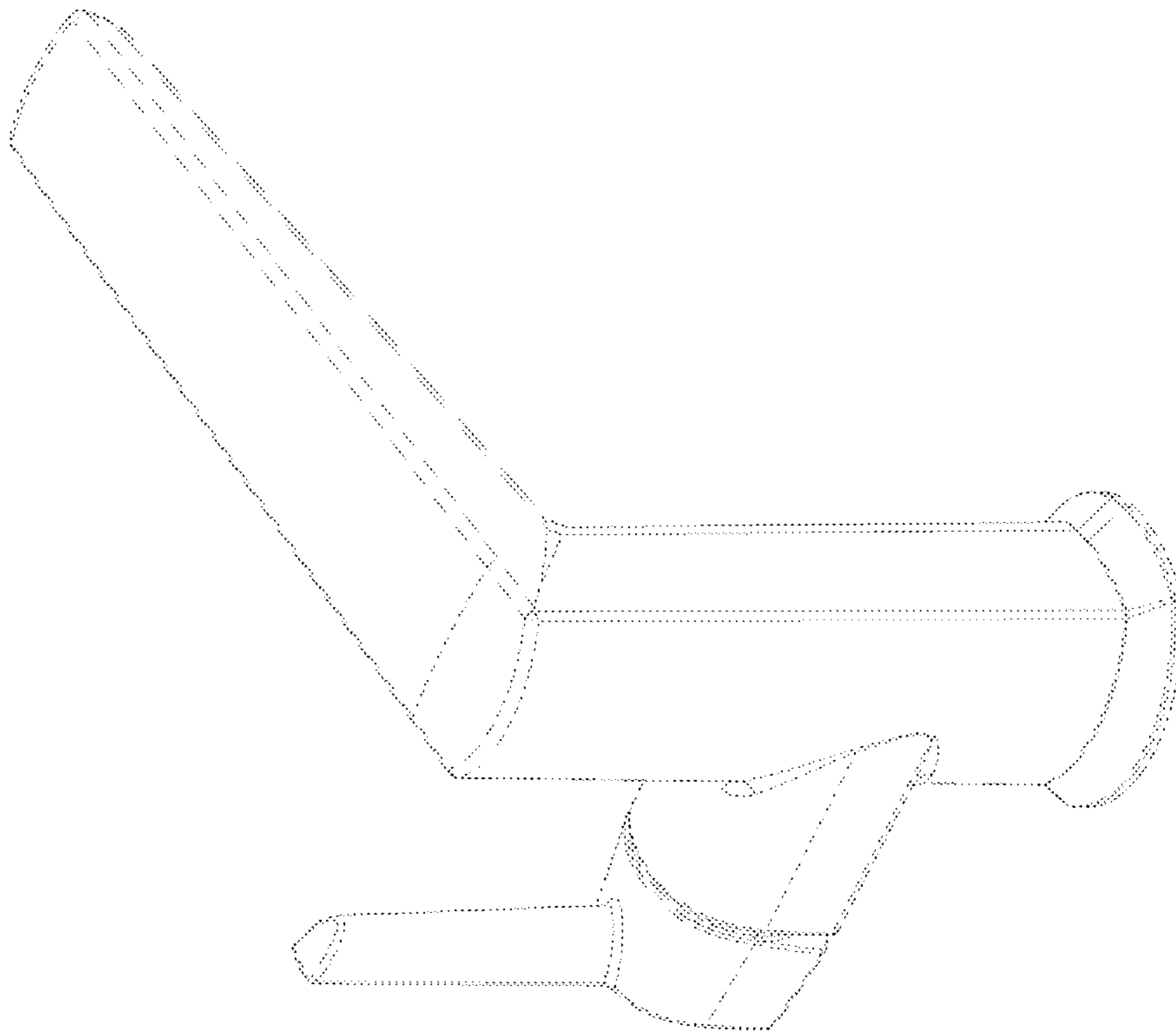


FIG. 1

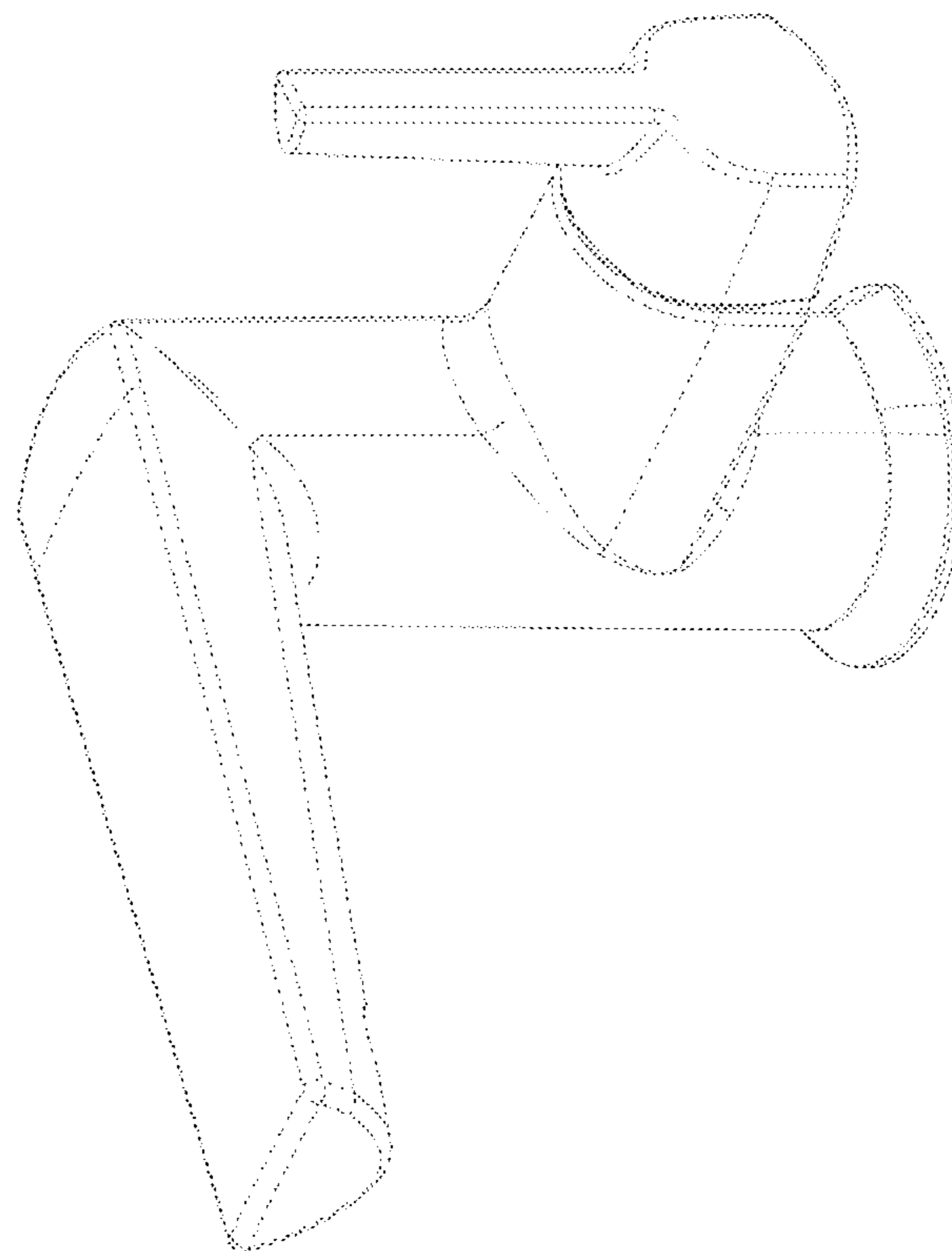


FIG. 2

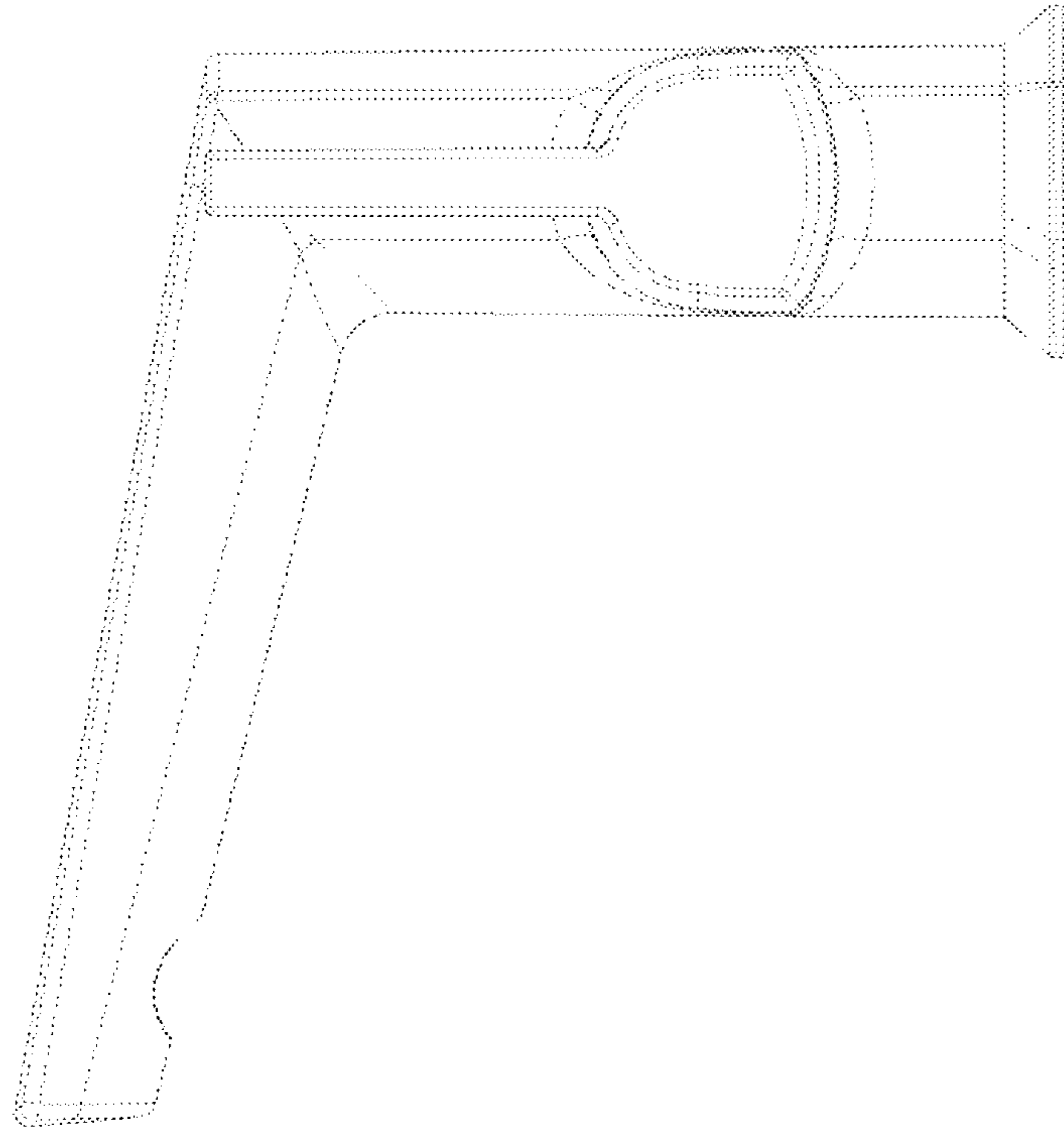


FIG. 1

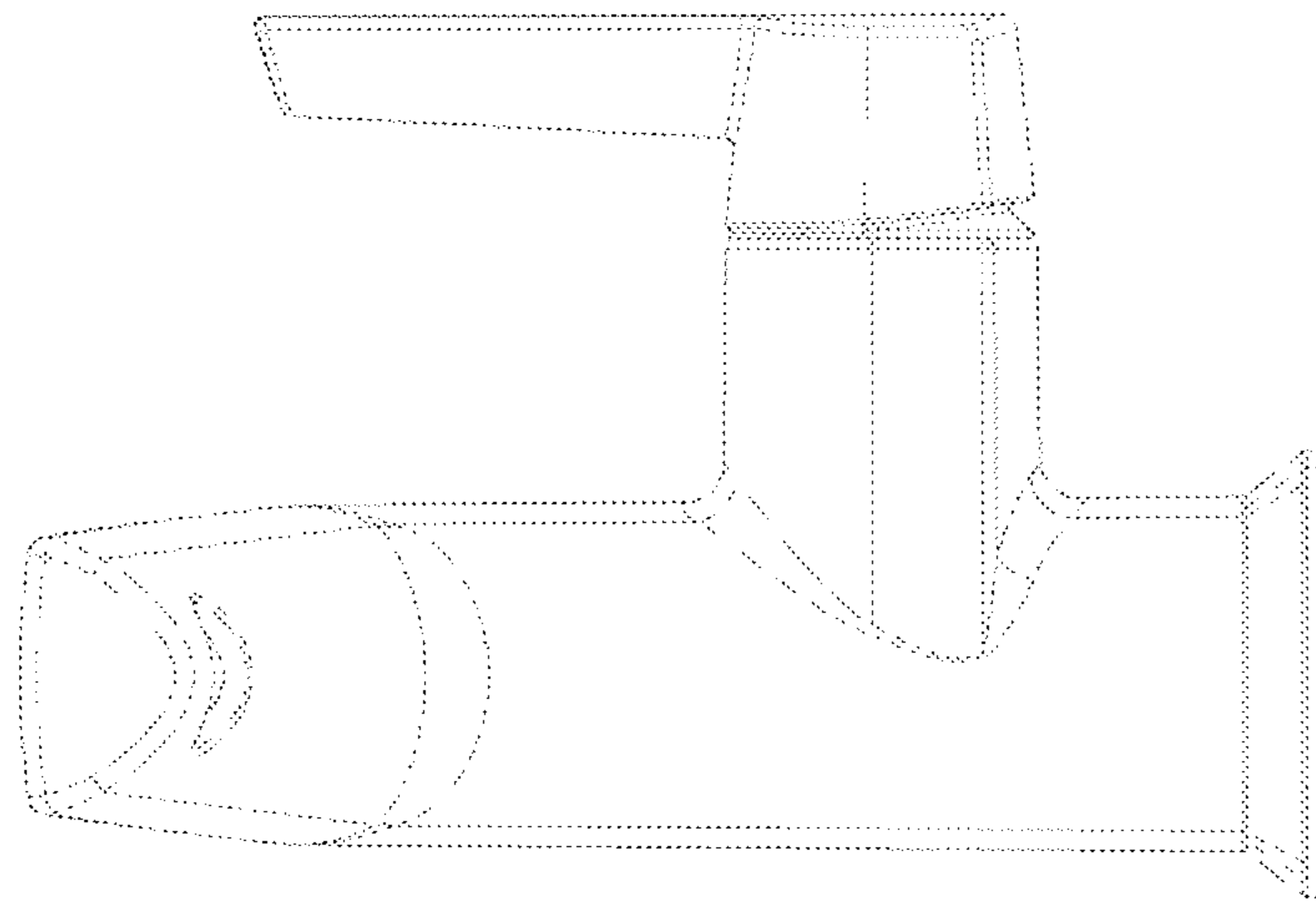


FIG. 2

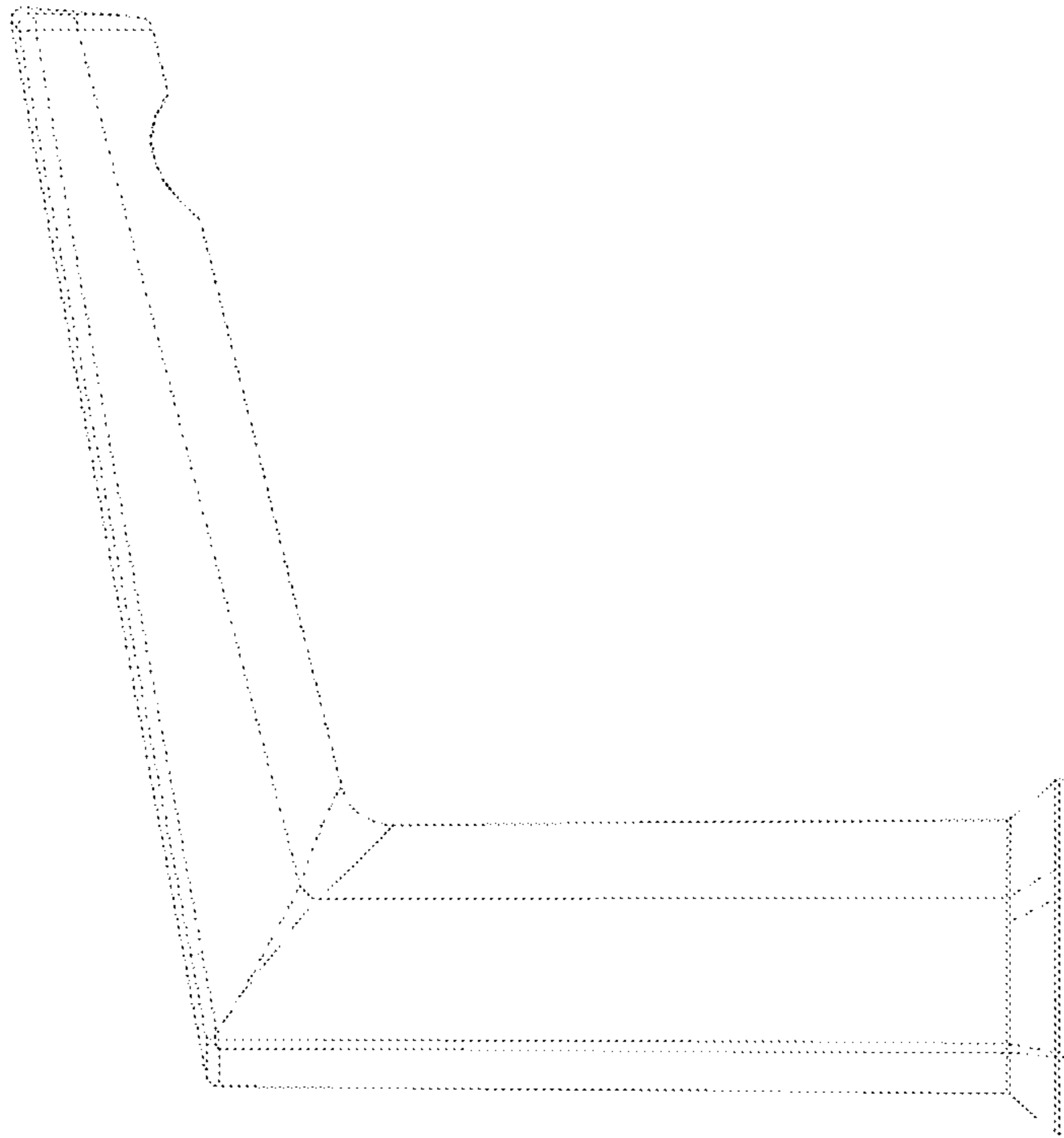


FIG. 9 - 6

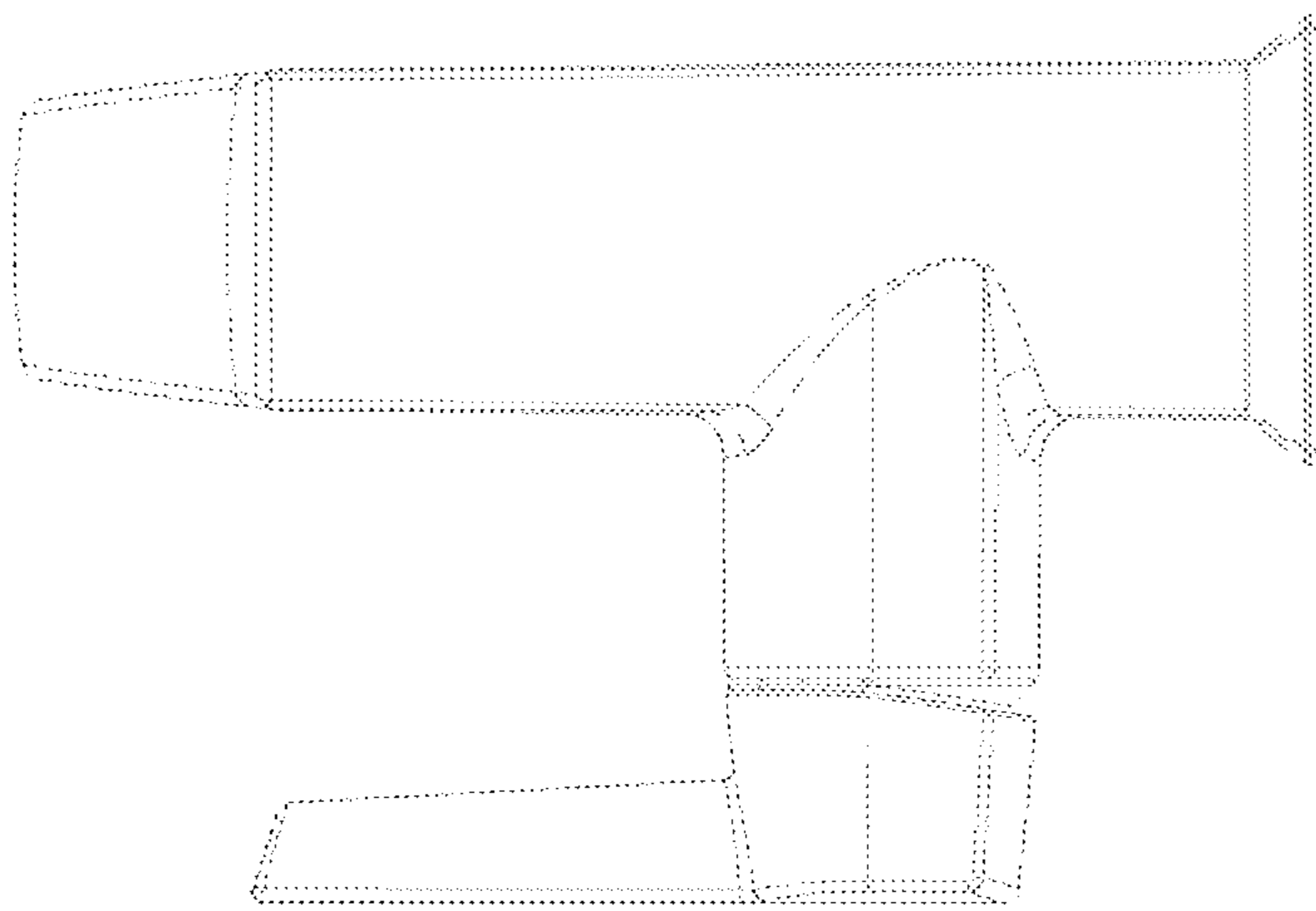


FIG. 9 - 8

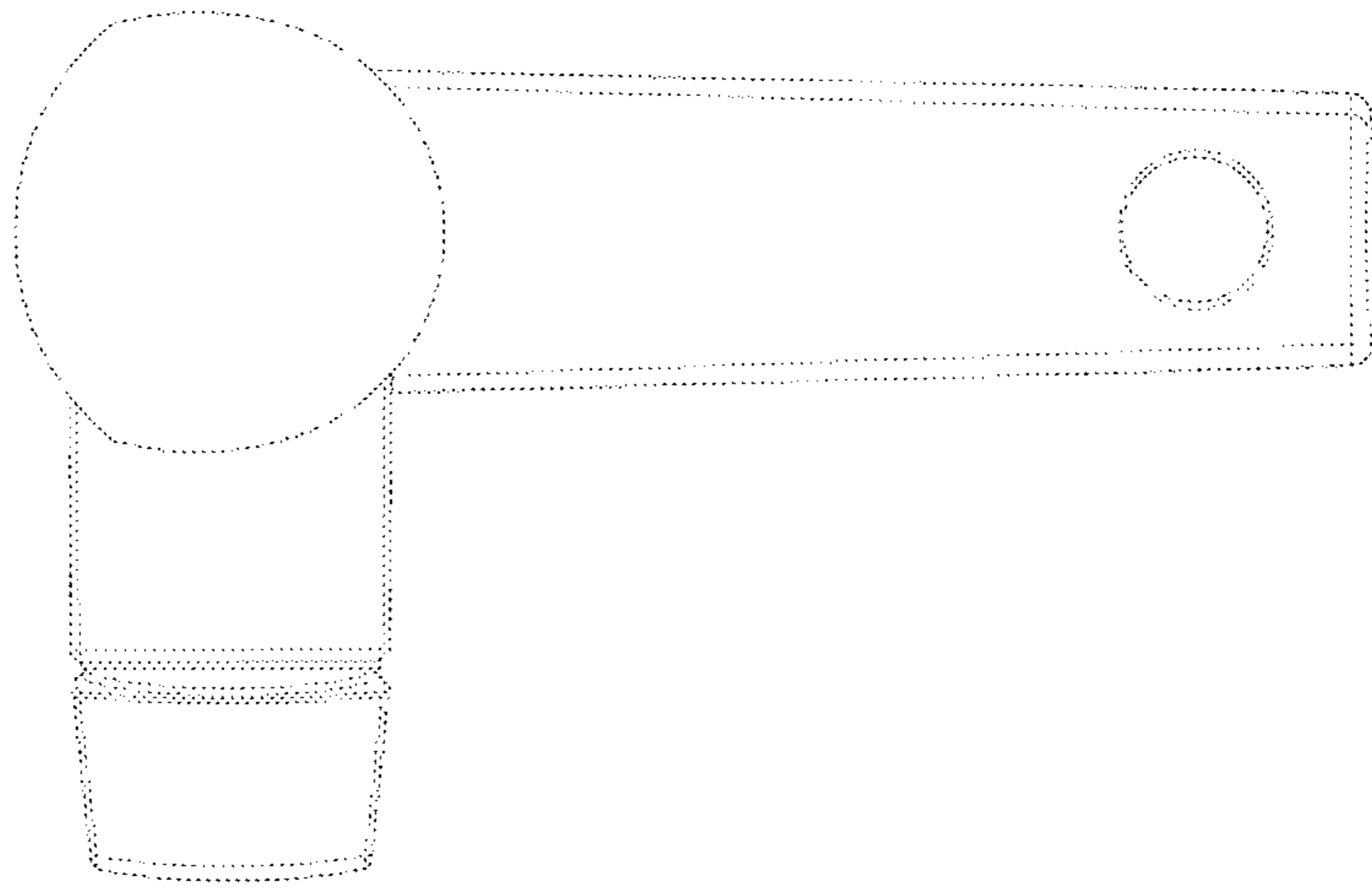


FIG. 6

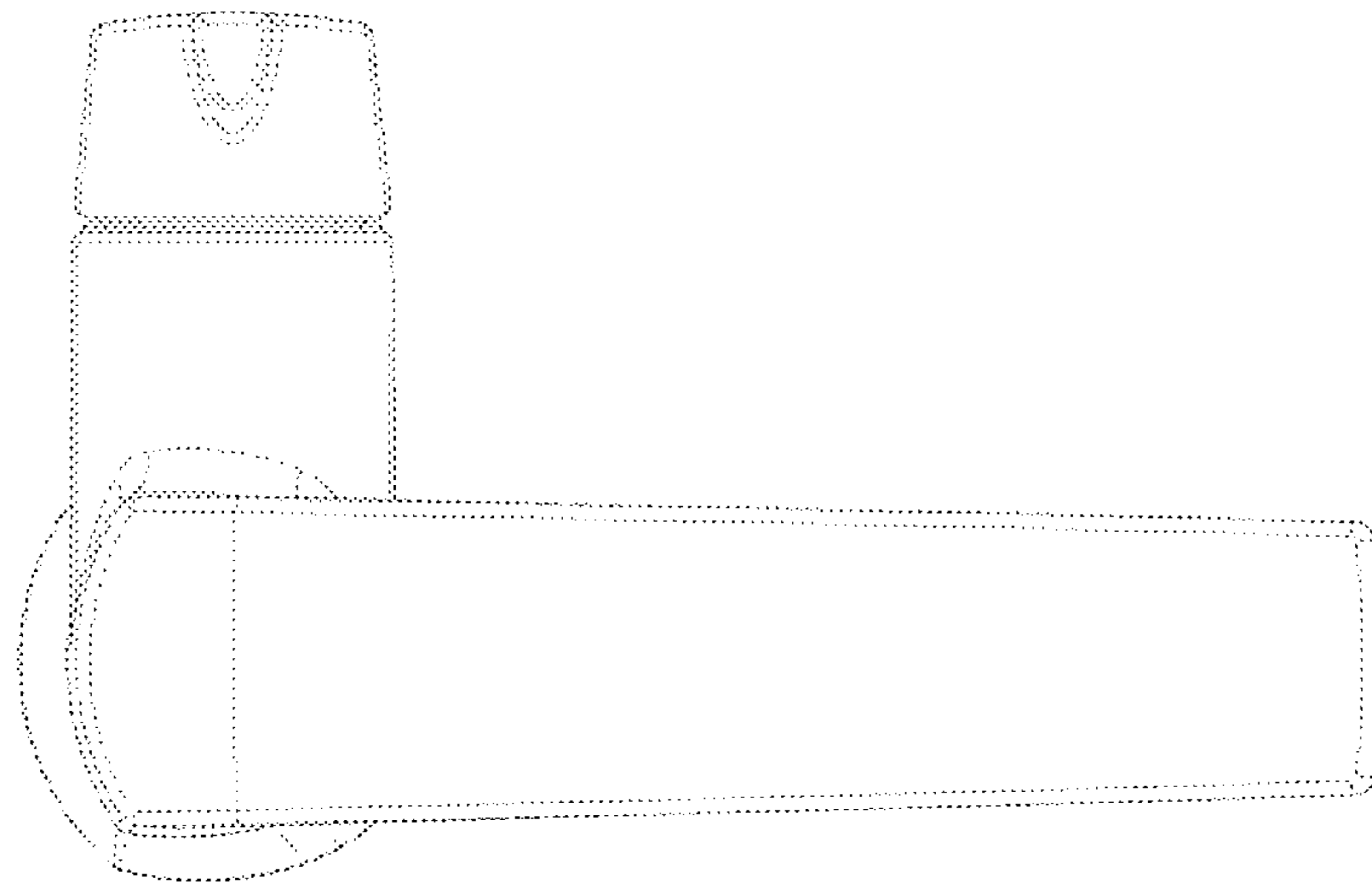


FIG. 7