



US00D924362S

(12) **United States Design Patent** (10) **Patent No.:** **US D924,362 S**
Zhu (45) **Date of Patent:** **** Jul. 6, 2021**

(54) **FAUCET**
(71) Applicant: **Hansgrohe SE**, Schiltach (DE)
(72) Inventor: **Chuanbao Zhu**, Fujian (CN)
(73) Assignee: **Hansgrohe SE**, Schiltach (DE)
(**) Term: **15 Years**

D833,577 S 11/2018 Clarke
D837,939 S 1/2019 Clarke
D840,505 S * 2/2019 Zhang D23/238
D844,109 S * 3/2019 Rexach D23/238
D857,844 S * 8/2019 Levi D23/238
D861,832 S * 10/2019 Zeng D23/238
D862,647 S * 10/2019 Zeng D23/238
D862,648 S * 10/2019 Zeng D23/238
D862,652 S * 10/2019 Zeng D23/238
D863,505 S * 10/2019 Zeng D23/238
D863,506 S * 10/2019 Hayner D23/238

(21) Appl. No.: **29/700,655**

(22) Filed: **Aug. 5, 2019**

(30) **Foreign Application Priority Data**

Feb. 20, 2019 (EM) 006262440-0004

(51) **LOC (13) Cl.** **23-01**

(52) **U.S. Cl.**
USPC **D23/238**

(58) **Field of Classification Search**
USPC D23/238, 239, 240, 241, 242, 243, 249,
D23/255, 256, 257; D6/524
CPC E03C 1/04; E03C 1/0401; E03C 1/0402;
E03C 1/0404; E03C 1/0405; E03C
1/0412; Y10T 137/9464
See application file for complete search history.

(56) **References Cited**

U.S. PATENT DOCUMENTS

D479,309 S 9/2003 Haug et al.
D651,284 S * 12/2011 Flowers D23/243
D786,404 S * 5/2017 Kaule D23/238
D802,720 S * 11/2017 Haug D23/238
D819,177 S 5/2018 Kaule et al.

FOREIGN PATENT DOCUMENTS

EM 000725841-0035 7/2007
EM 001918681-0002 6/2012
EM 001918681-0004 6/2012
WO 067836 11/2006

* cited by examiner

Primary Examiner — John A Voytek

(74) *Attorney, Agent, or Firm* — Lora J Graentzdoerffer

(57) **CLAIM**

The ornamental design for a faucet, as shown and described.

DESCRIPTION

FIG. 1 is a perspective view of a faucet showing my design;
FIG. 2 is a front elevation view;
FIG. 3 is a rear elevation view;
FIG. 4 is a right side elevation view;
FIG. 5 is a left side elevation view;
FIG. 6 is a top plan view; and,
FIG. 7 is a bottom plan view.

The broken-line disclosures in the drawings represent portions of the faucet that form no part of the claimed design.

1 Claim, 7 Drawing Sheets

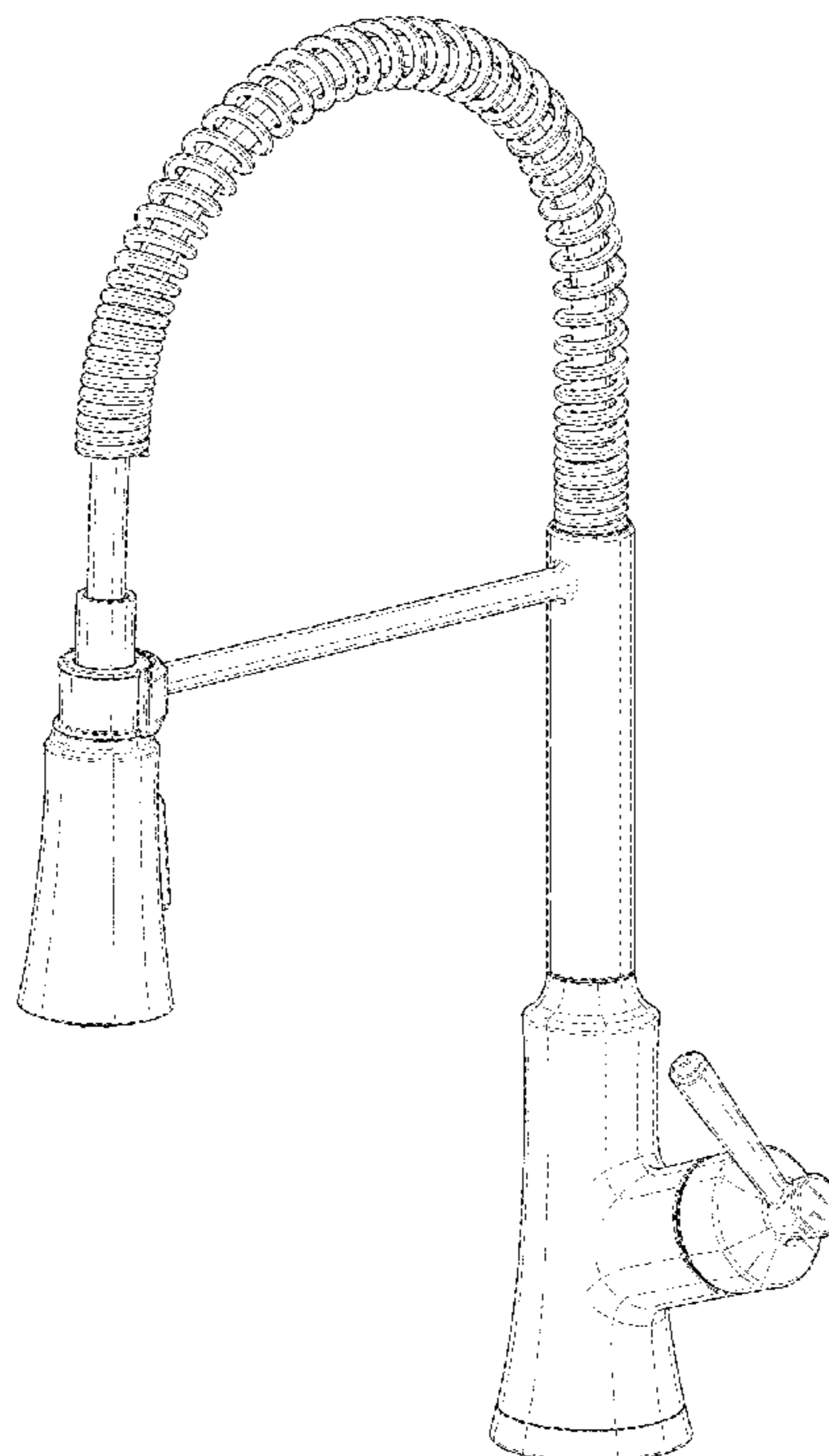


FIG. 1

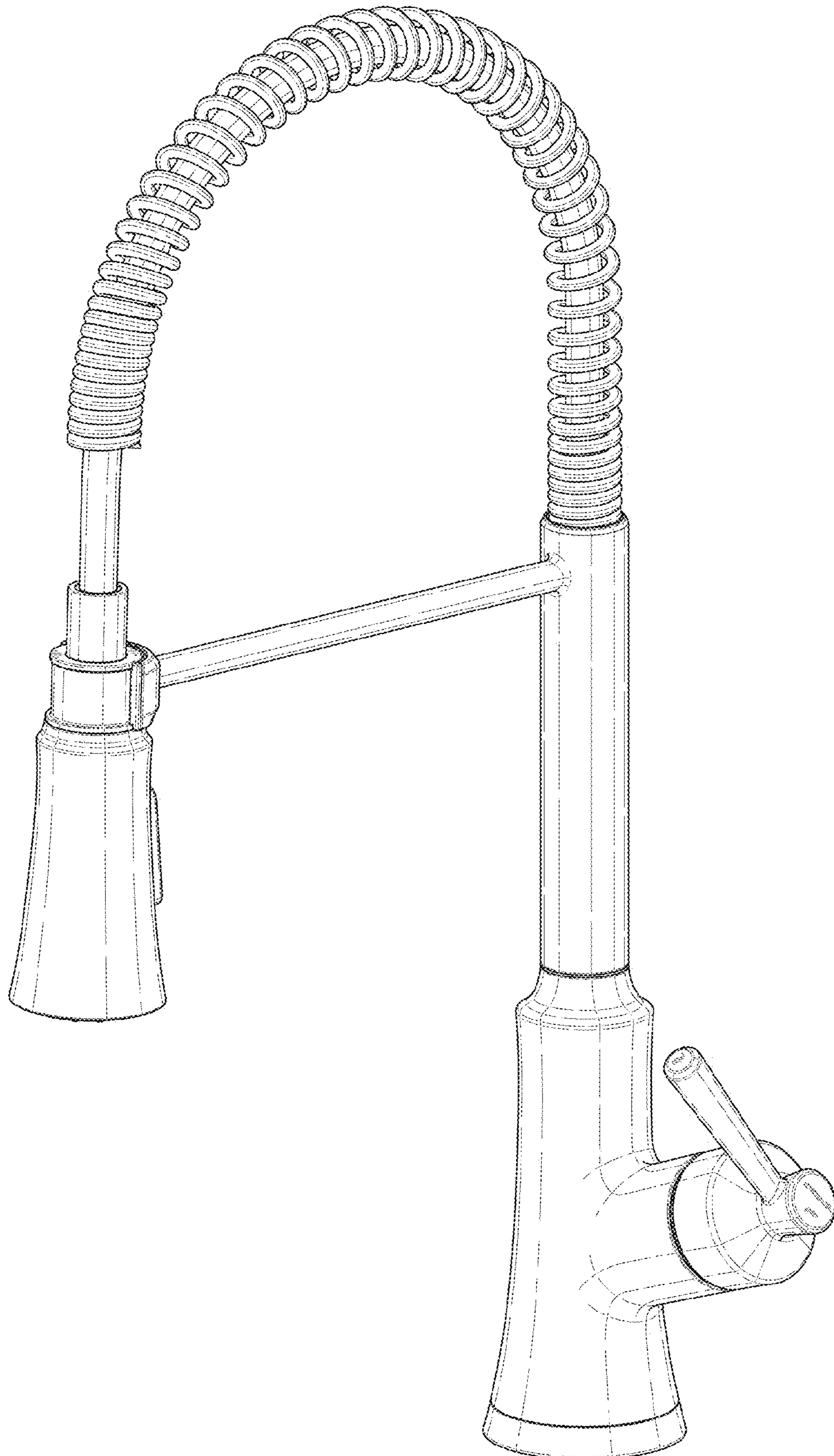


FIG. 2

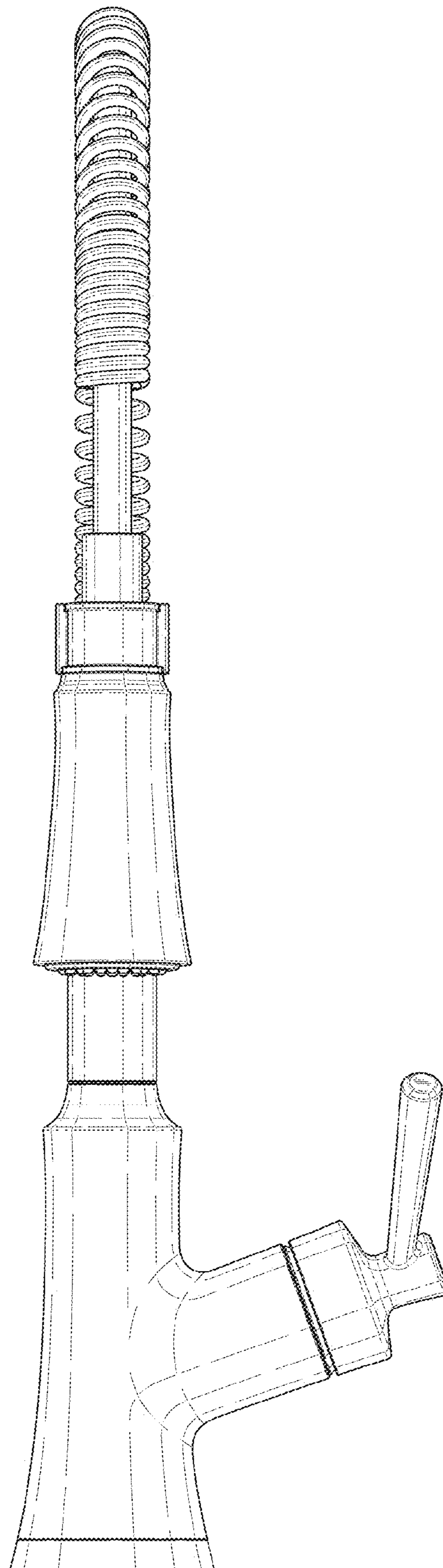


FIG. 3

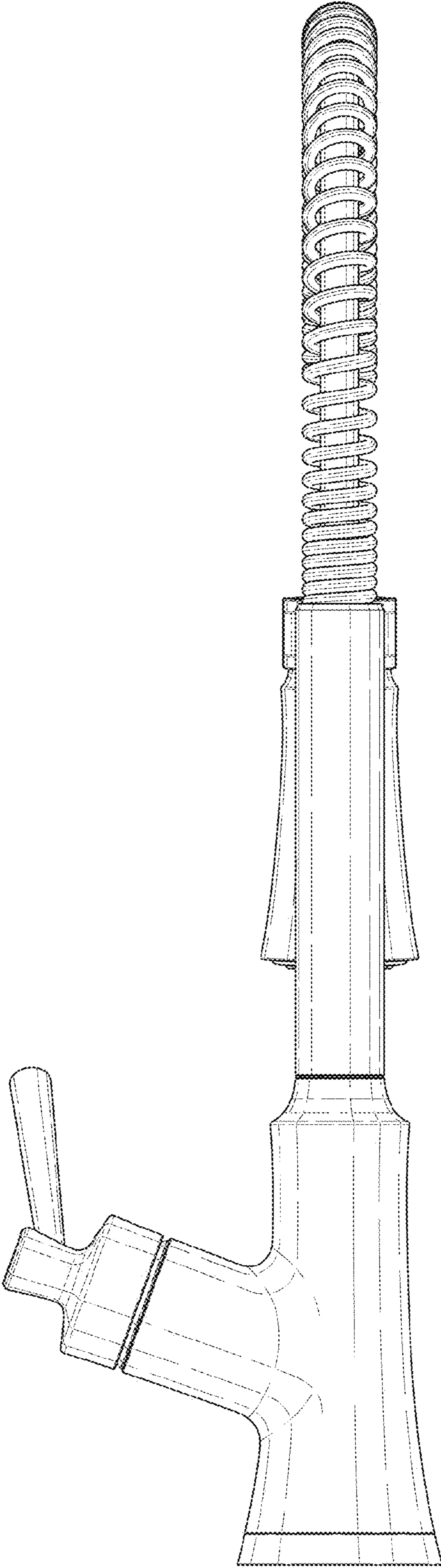


FIG. 4

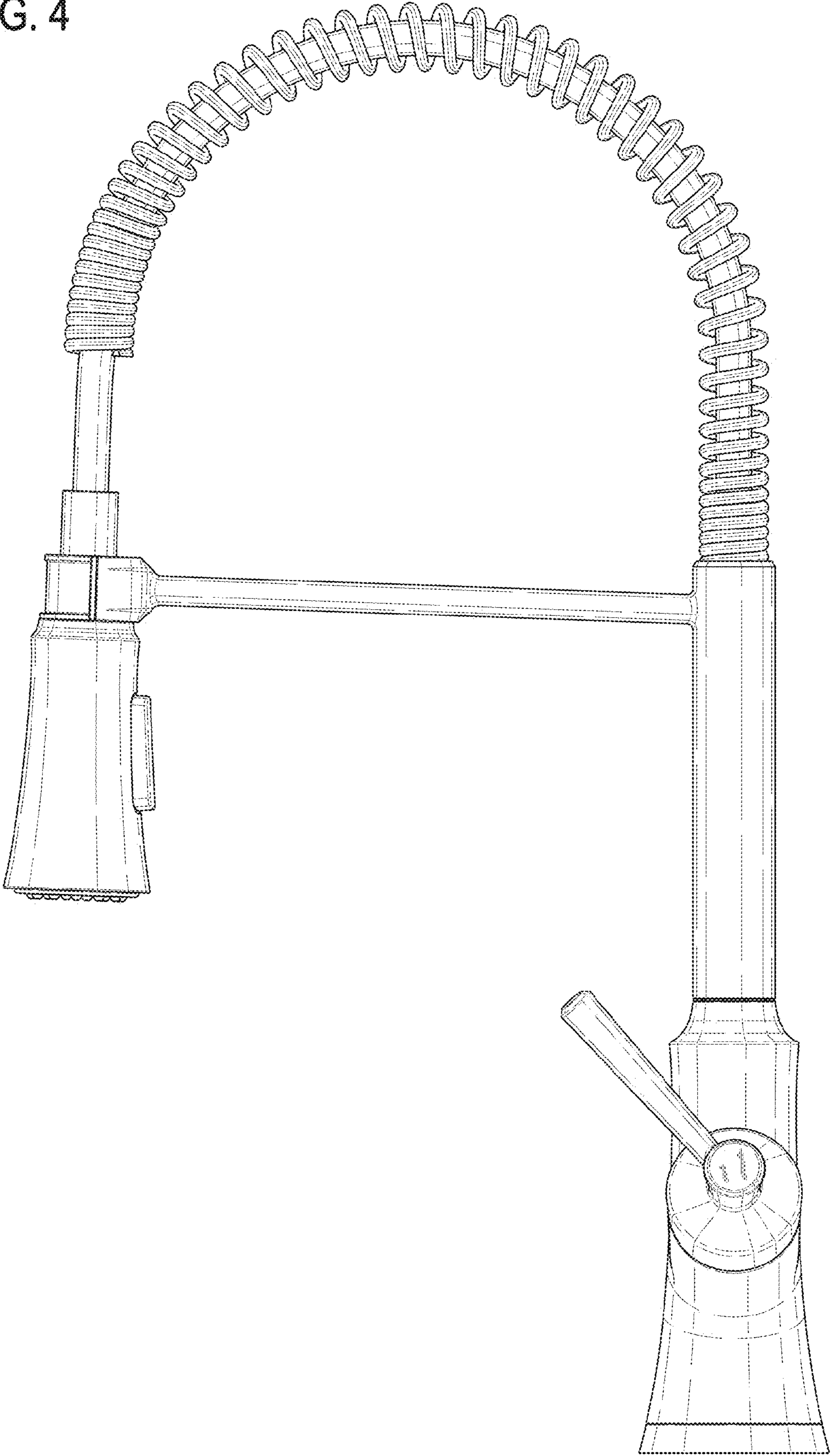


FIG. 5

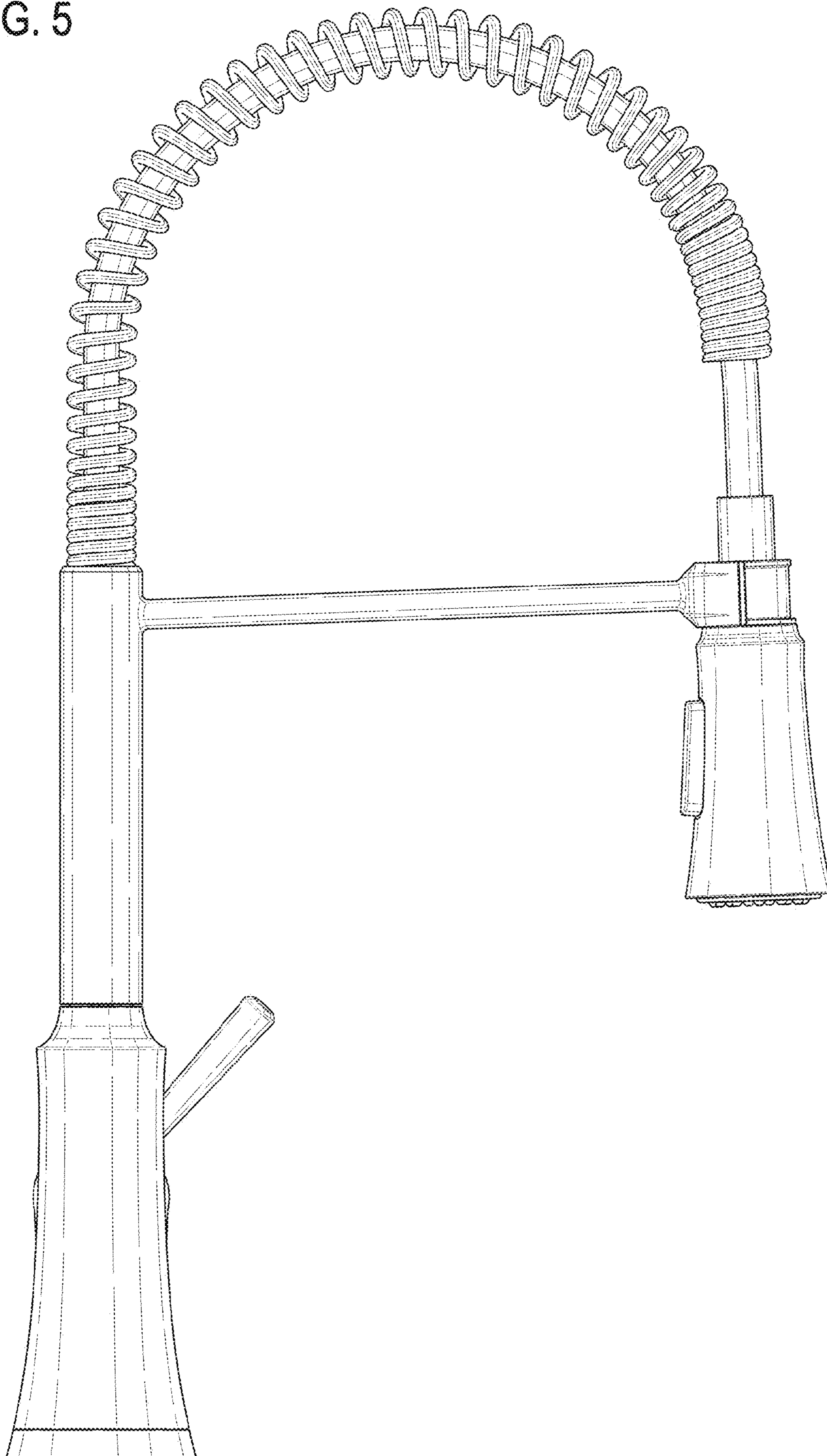


FIG. 6

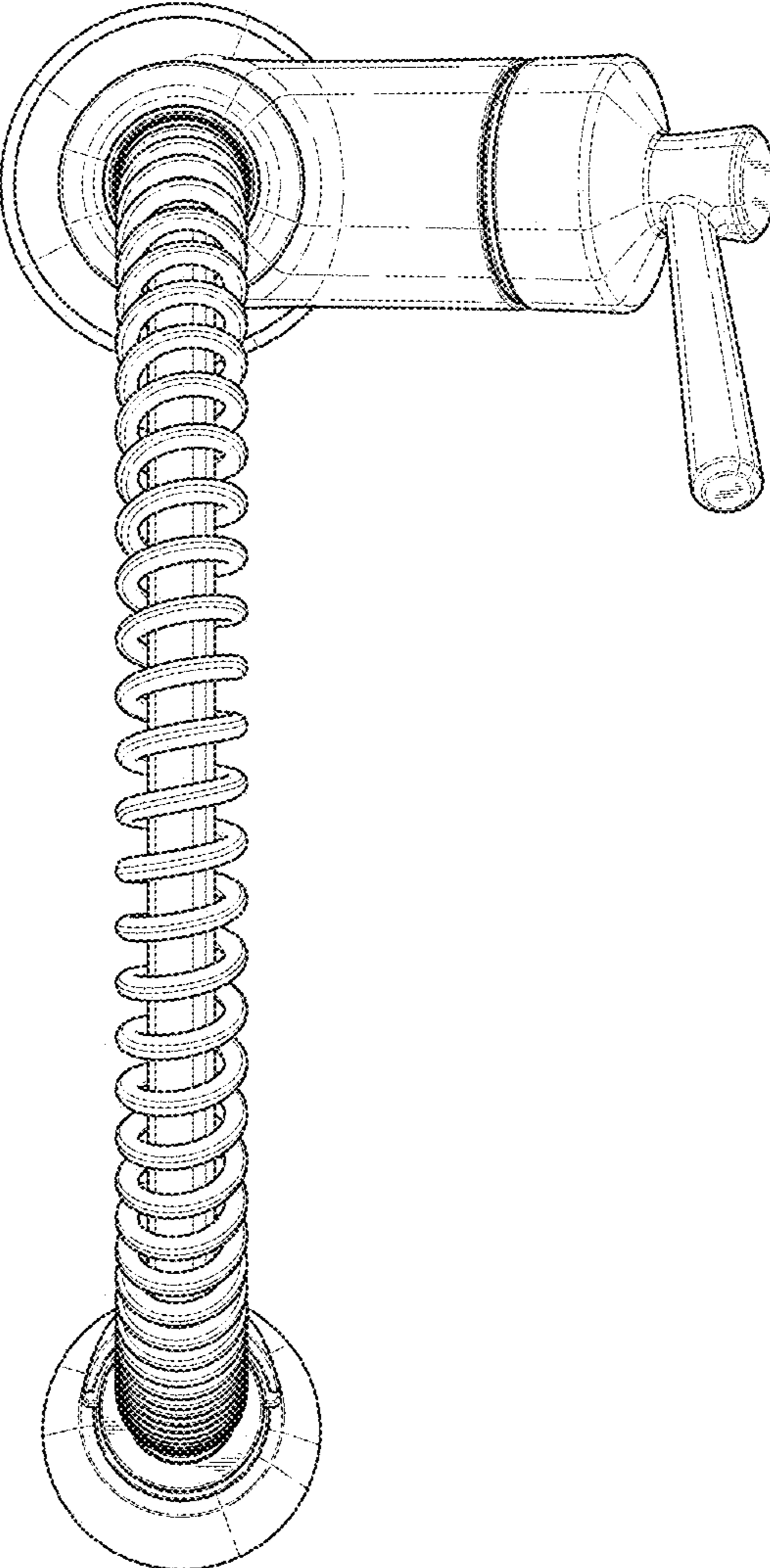


FIG. 7

