



US00D924361S

(12) **United States Design Patent** (10) **Patent No.:** **US D924,361 S**  
**Matsushita et al.** (45) **Date of Patent:** **\*\* Jul. 6, 2021**

(54) **RESIDUAL PRESSURE RELEASE VALVE**

D796,008 S \* 8/2017 Ueno ..... D23/233  
D801,481 S \* 10/2017 Ueno ..... D23/235  
2014/0224355 A1 8/2014 Okitsu et al.

(71) Applicant: **SMC CORPORATION**, Tokyo (JP)

(72) Inventors: **Kazuhiro Matsushita**, Moriya (JP);  
**Tomokazu Ueno**, Tsukubamirai (JP)

(73) Assignee: **SMC CORPORATION**, Tokyo (JP)

(\*\*) Term: **15 Years**

(21) Appl. No.: **29/682,893**

(22) Filed: **Mar. 8, 2019**

(30) **Foreign Application Priority Data**

Sep. 28, 2018 (CN) ..... 201830547784.9

(51) **LOC (13) Cl.** ..... **23-01**

(52) **U.S. Cl.**  
USPC ..... **D23/235**

(58) **Field of Classification Search**  
USPC ..... D23/233, 235  
CPC ..... F16K 24/04; F16K 15/063; F16K 17/04;  
F16K 7/17

See application file for complete search history.

(56) **References Cited**

**U.S. PATENT DOCUMENTS**

D700,286 S \* 2/2014 Okitsu ..... D23/235  
9,334,975 B2 \* 5/2016 Okitsu ..... F16K 11/07  
D796,007 S \* 8/2017 Ueno ..... D23/233

**FOREIGN PATENT DOCUMENTS**

JP 2006-258181 A 9/2006  
JP 1448348 S 8/2012

\* cited by examiner

*Primary Examiner* — Gino Colan

(74) *Attorney, Agent, or Firm* — Birch, Stewart, Kolasch & Birch LLP

(57) **CLAIM**

The ornamental design for a residual pressure release valve, as shown and described.

**DESCRIPTION**

FIG. 1 is a front, top and left side perspective view of a residual pressure release valve showing our new design; FIG. 2 is a rear, bottom and right side perspective view thereof; FIG. 3 is a front view thereof; FIG. 4 is a rear view thereof; FIG. 5 is a top plan view thereof; FIG. 6 is a bottom plan view thereof; FIG. 7 is a left side view thereof; and, FIG. 8 is a right side view thereof.

The broken lines depict portions of the residual pressure release valve that form no part of the claimed design.

**1 Claim, 8 Drawing Sheets**

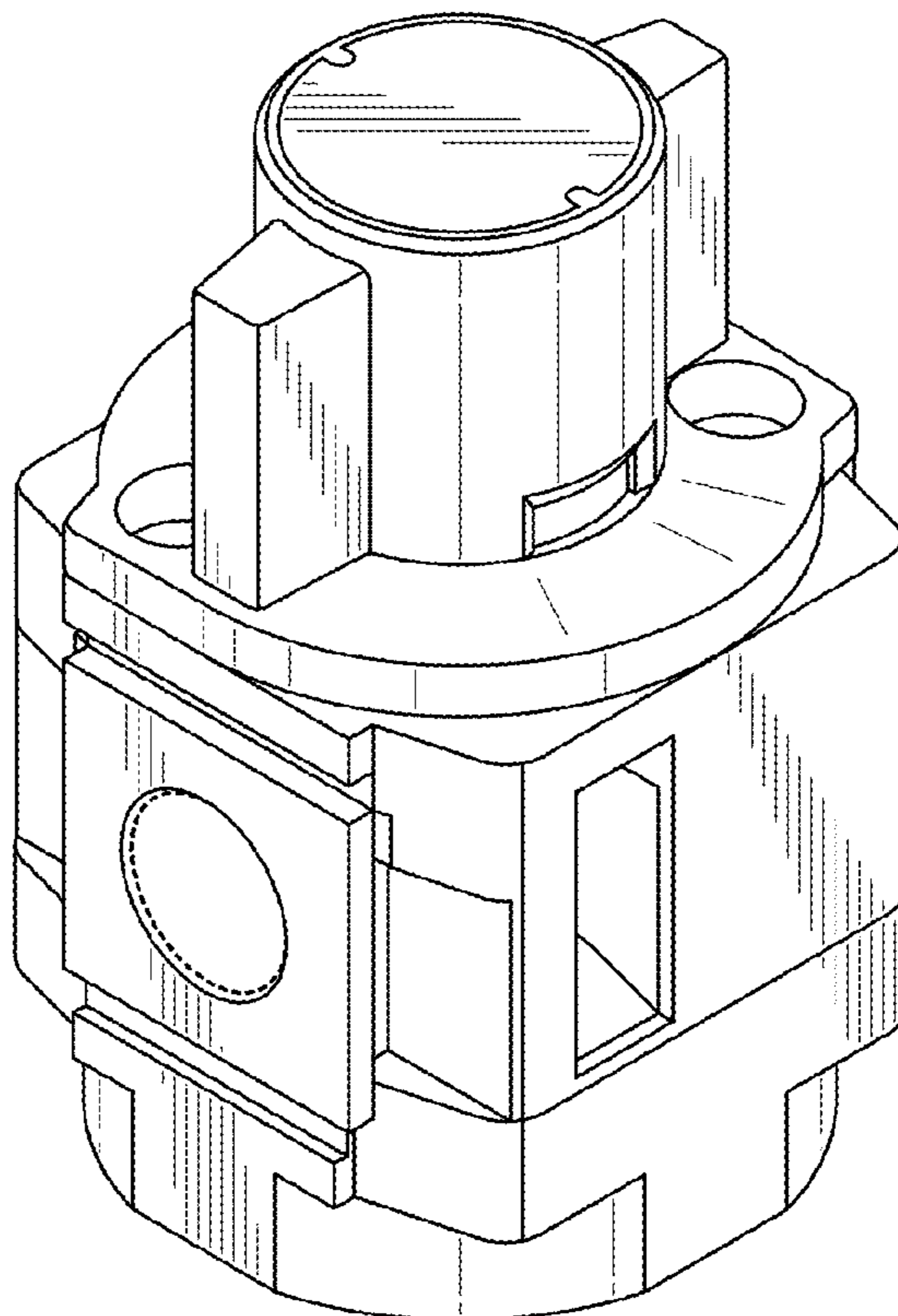


FIG. 1

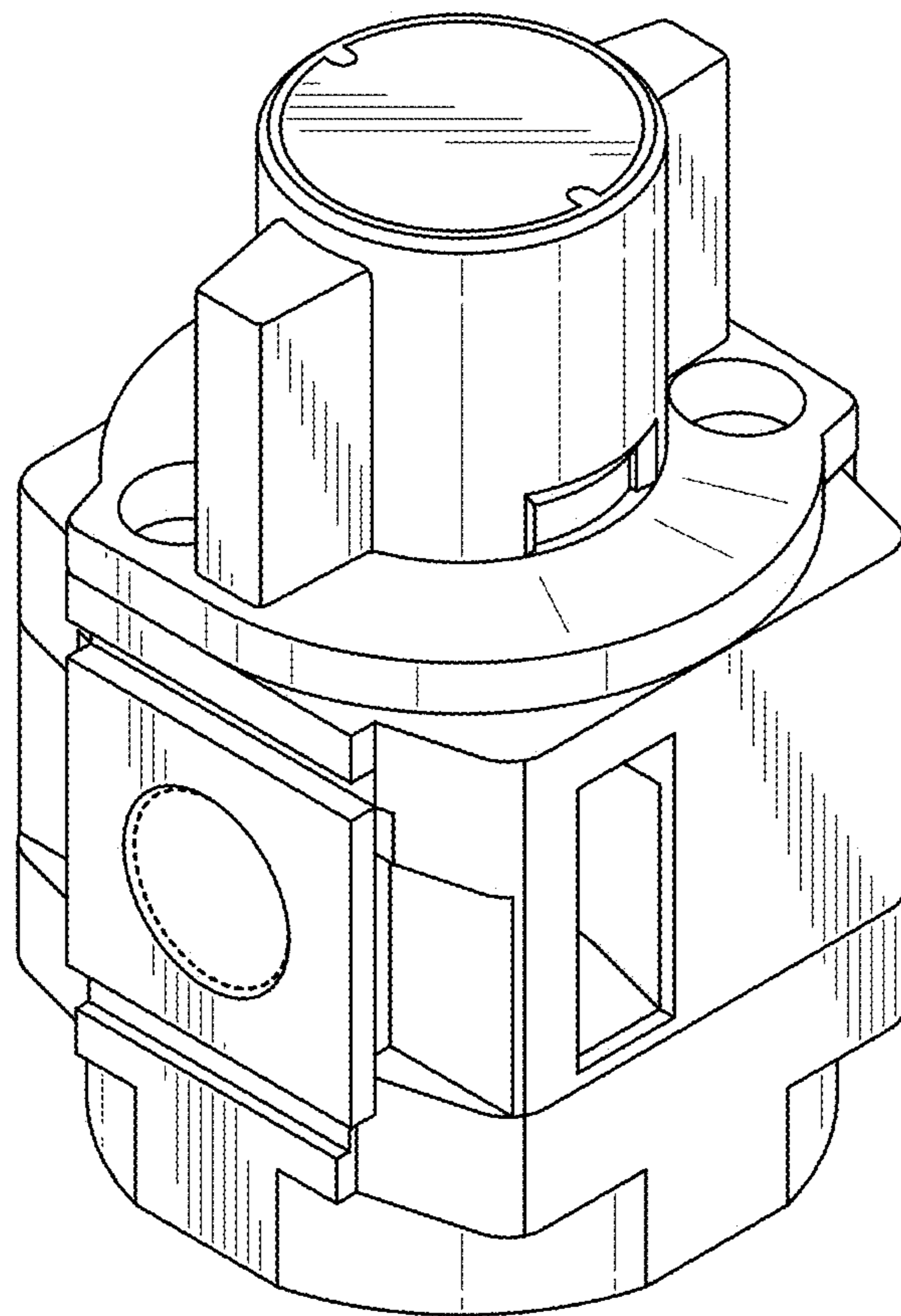


FIG. 2

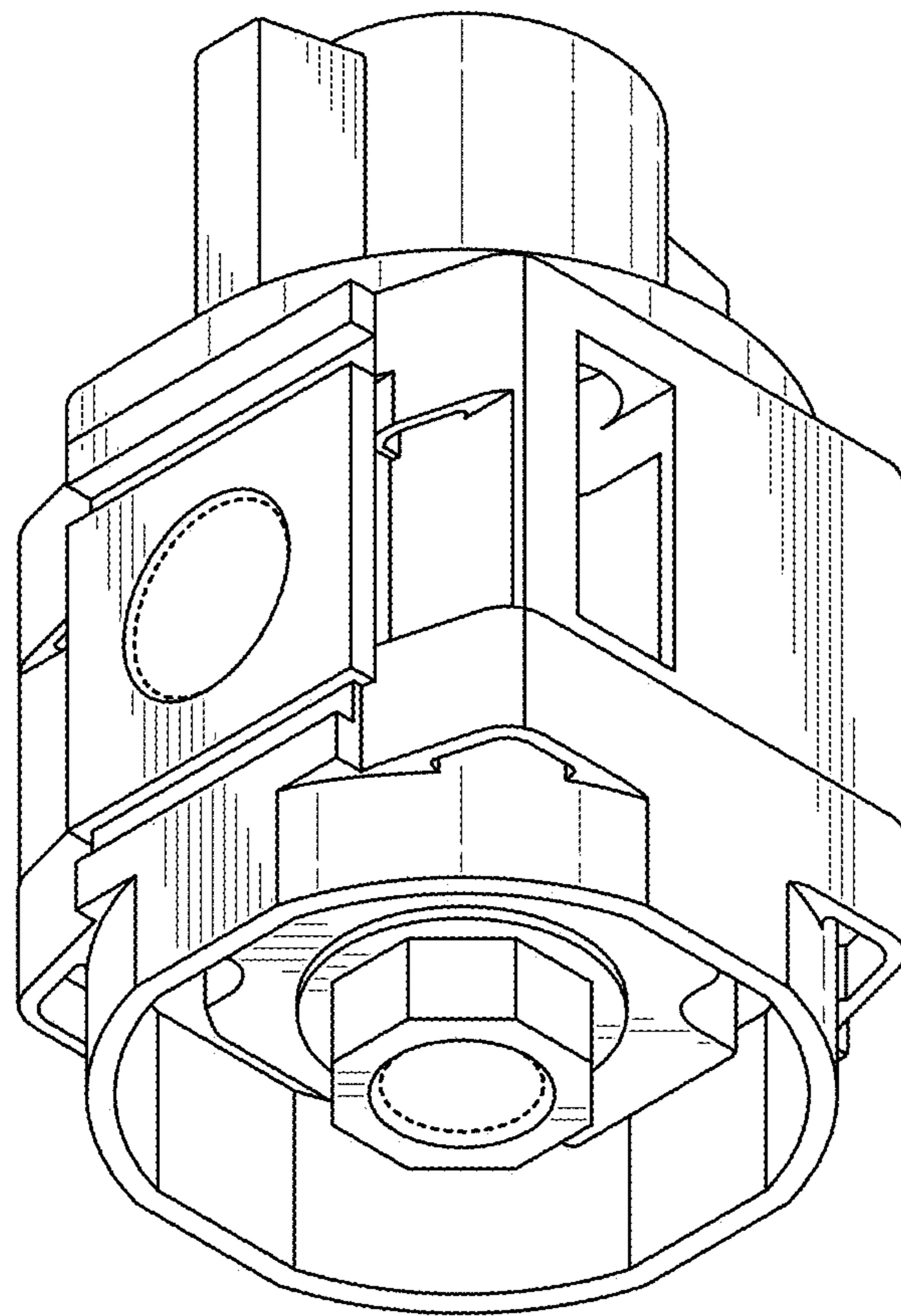


FIG. 3

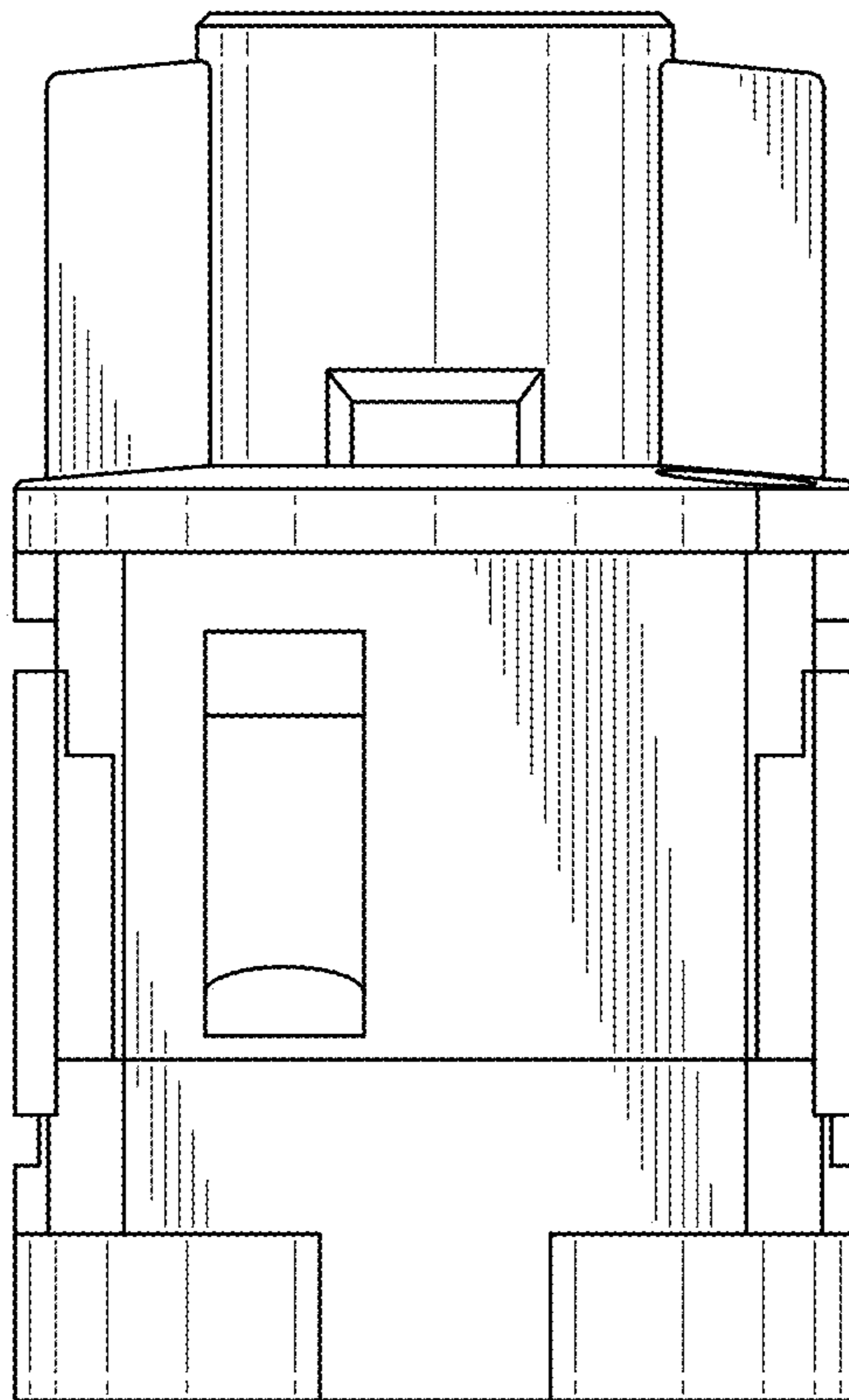


FIG. 4

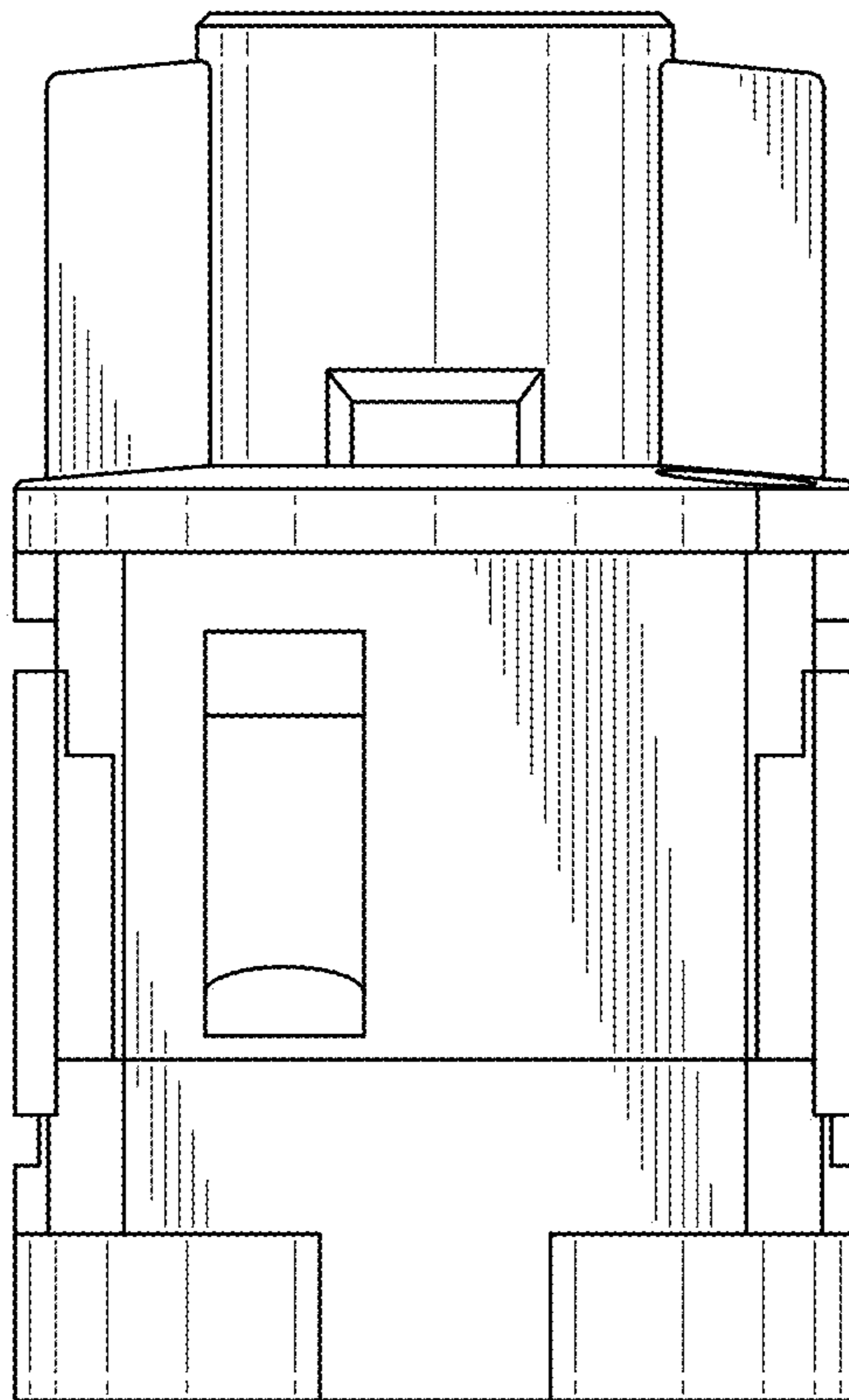


FIG. 5

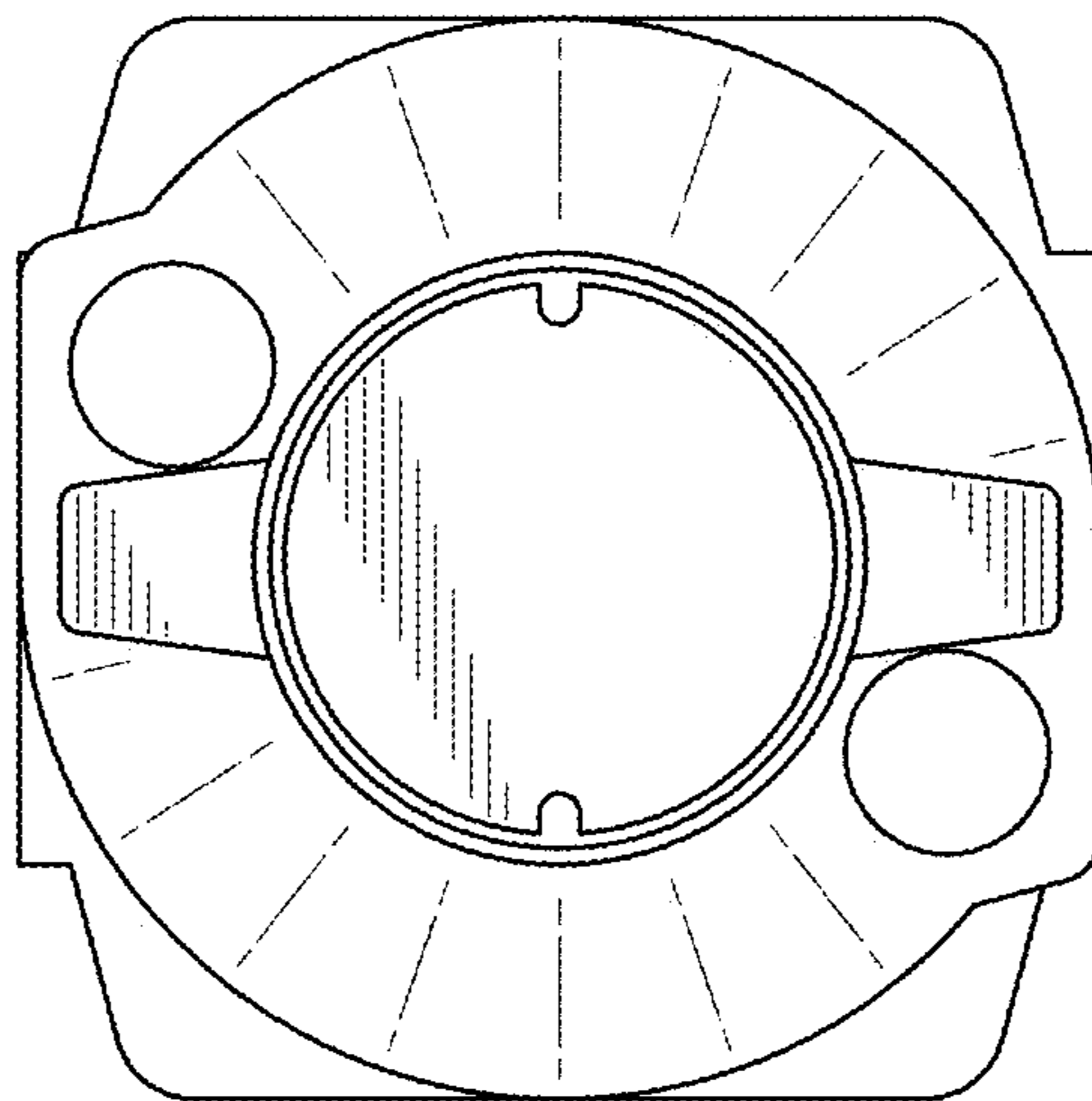


FIG. 6

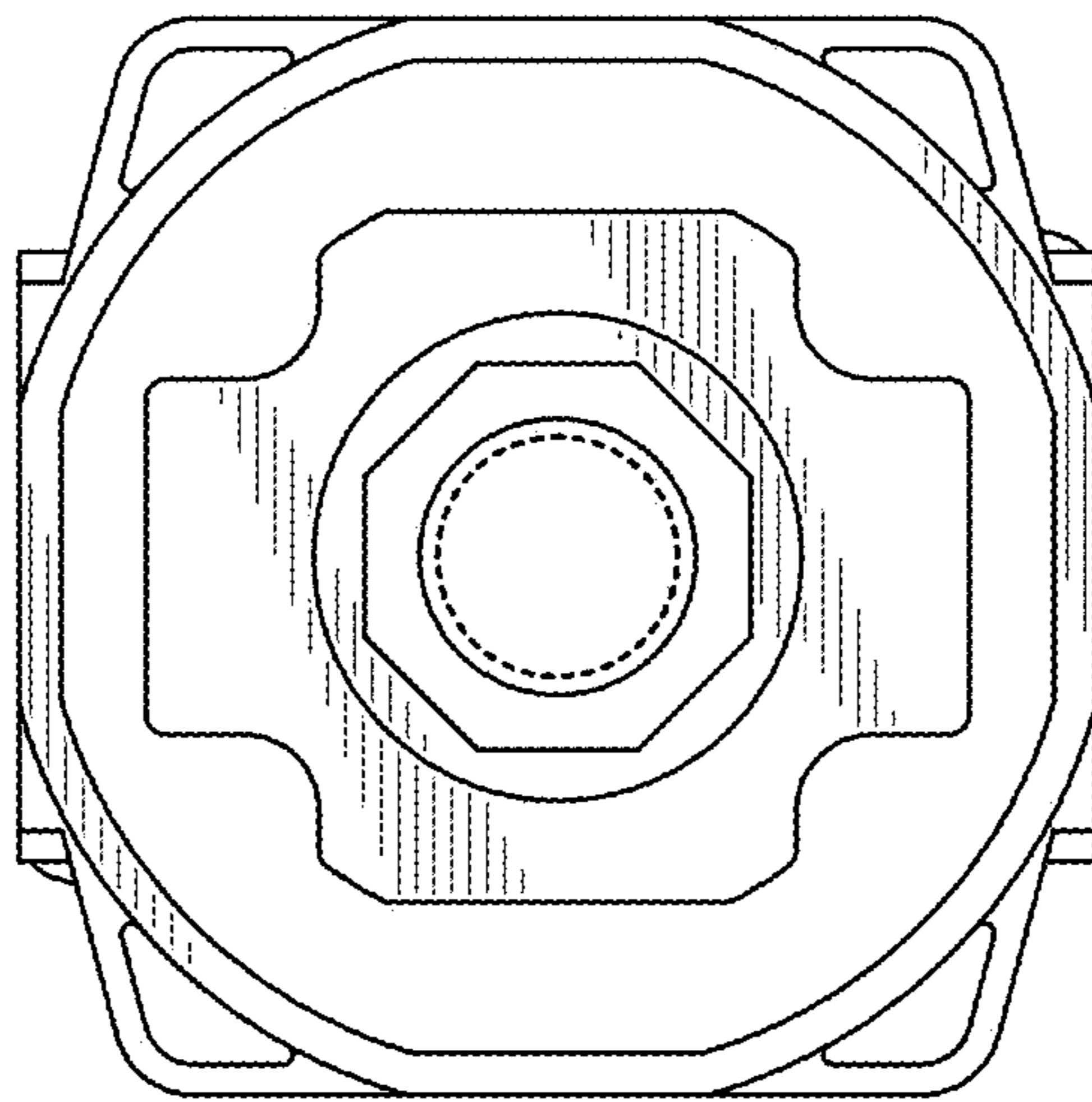


FIG. 7

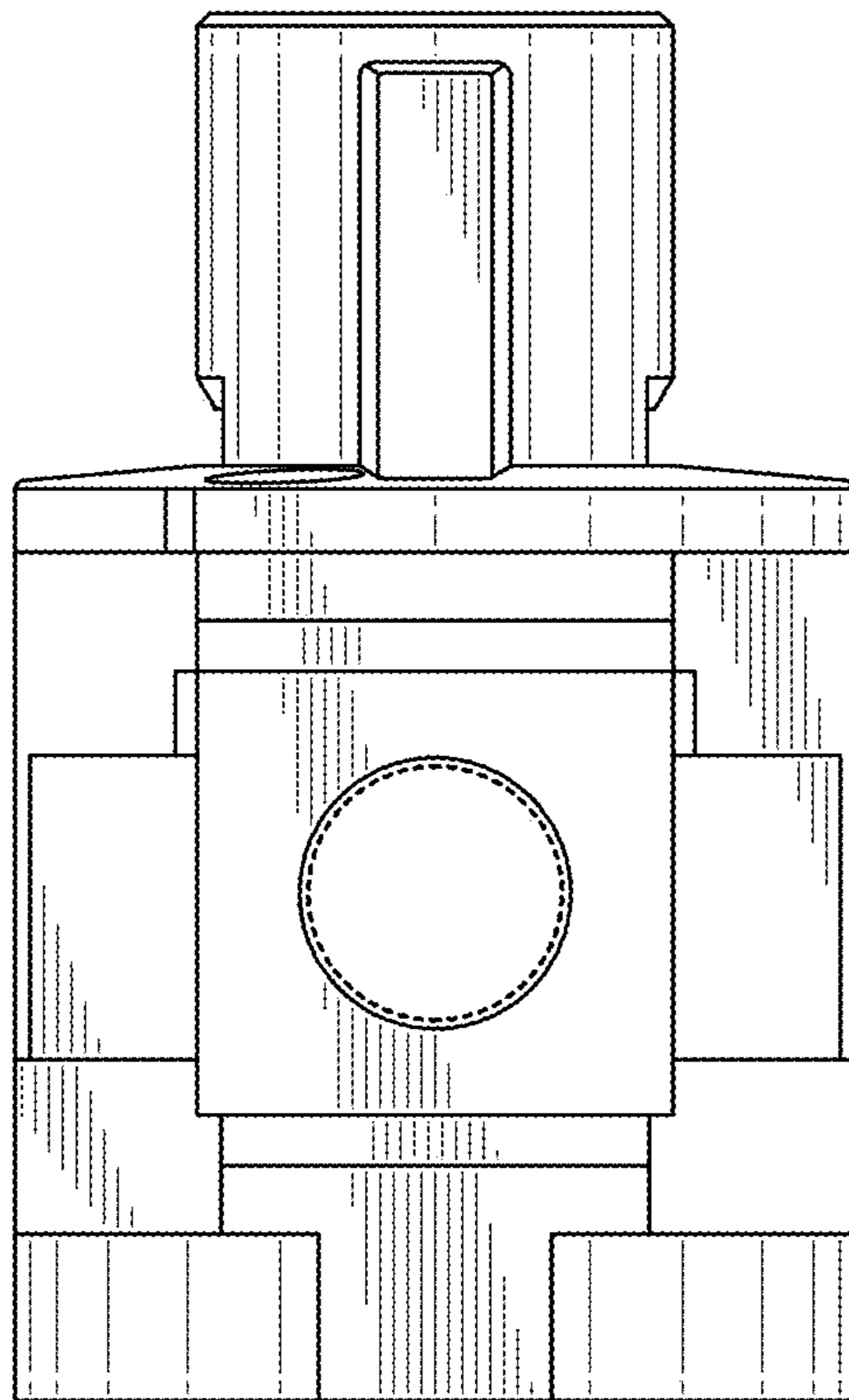




FIG. 8

