



US00D924360S

(12) **United States Design Patent** (10) **Patent No.:** **US D924,360 S**  
**Schoenherr et al.** (45) **Date of Patent:** **\*\* \*Jul. 6, 2021**

(54) **HANSHOWER**  
(71) Applicant: **Hansgrohe SE**, Schiltach (DE)  
(72) Inventors: **Tom Schoenherr**, Stuttgart (DE);  
**Matthias Oesterle**, Winterbach (DE)  
(73) Assignee: **Hansgrohe SE**, Schiltach (DE)  
(\* ) Notice: This patent is subject to a terminal disclaimer.  
(\*\*) Term: **15 Years**  
(21) Appl. No.: **29/693,187**  
(22) Filed: **May 31, 2019**  
(30) **Foreign Application Priority Data**  
Dec. 4, 2018 (EM) ..... 005843083-0002  
(51) **LOC (13) Cl.** ..... **23-01**  
(52) **U.S. Cl.**  
USPC ..... **D23/223**  
(58) **Field of Classification Search**  
USPC ..... D23/207, 213, 214, 215, 223, 224, 226,  
D23/229, 230  
CPC ..... A61H 9/0021; A61H 33/00; B05B 1/00;  
B05B 1/14; B05B 1/185; B05B 1/08;  
B05B 1/02; B05B 1/26; B05B 12/002;  
B05B 1/18; B05B 9/01  
See application file for complete search history.

(56) **References Cited**  
U.S. PATENT DOCUMENTS  
D487,498 S \* 3/2004 Blomstrom ..... D23/213  
D508,730 S \* 8/2005 Blomstrom ..... D23/229  
D524,412 S \* 7/2006 Blomstrom ..... D23/229  
D680,619 S \* 4/2013 Zhadanov ..... D23/223  
D681,776 S \* 5/2013 Cutler ..... D23/223  
D694,357 S \* 11/2013 Brodey ..... D23/213  
D694,359 S \* 11/2013 Schoenherr ..... D23/213

D694,361 S 11/2013 Schoenherr et al.  
D707,330 S \* 6/2014 Schoenherr ..... D23/223  
D713,004 S \* 9/2014 Schoenherr ..... D23/223  
D713,496 S \* 9/2014 Schoenherr ..... D23/213  
D718,418 S \* 11/2014 Georgeson ..... D23/213  
D730,493 S \* 5/2015 Sehl ..... D23/261  
D733,258 S \* 6/2015 Sandee ..... D23/223  
D737,931 S \* 9/2015 Schoenherr ..... D23/223  
(Continued)

**FOREIGN PATENT DOCUMENTS**

CN 304620558 5/2018  
CN 304647392 5/2018  
(Continued)

**OTHER PUBLICATIONS**

<https://www.amazon.com/Croma-Select-3-Jet-Shower-Faucet/dp/> (Year: 2016).\*  
(Continued)

*Primary Examiner* — Jack Reickel  
*Assistant Examiner* — Keith J Wilson  
(74) *Attorney, Agent, or Firm* — Lora J. Graentzdoerffer

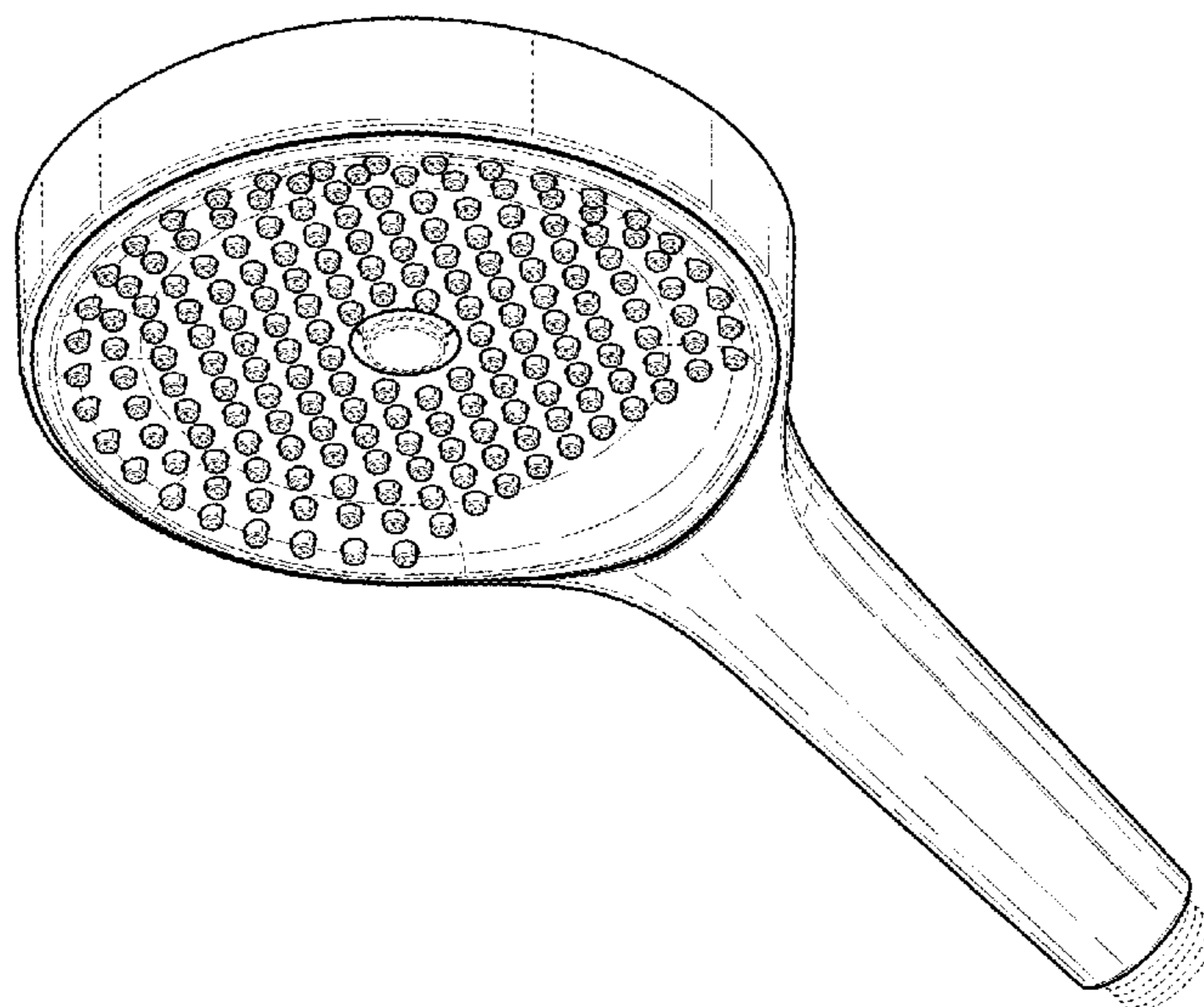
(57) **CLAIM**

The ornamental design for a handshower, as shown and described.

**DESCRIPTION**

FIG. 1 is a perspective view of a handshower showing our design;  
FIG. 2 is a front elevation view;  
FIG. 3 is a rear elevation view;  
FIG. 4 is a side elevation view;  
FIG. 5 is a top plan view; and,  
FIG. 6 is a bottom plan view.  
The broken-line disclosures in the view represents portions of the handshower in which the claimed design is embodied, but which forms no part of the claimed design.

**1 Claim, 6 Drawing Sheets**



(56)

References Cited

U.S. PATENT DOCUMENTS

D737,932 S \* 9/2015 Nikles ..... D23/223  
 D743,507 S \* 11/2015 Georgeson ..... D23/252  
 D746,955 S \* 1/2016 Corder ..... D23/261  
 D752,711 S \* 3/2016 Georgeson ..... D23/213  
 9,387,495 B2 \* 7/2016 Schumacher ..... B05B 1/30  
 D778,404 S \* 2/2017 Schoenherr ..... D23/223  
 D779,038 S \* 2/2017 Hanna ..... D23/223  
 D779,039 S \* 2/2017 Hanna ..... D23/223  
 D801,475 S \* 10/2017 Naslund ..... D23/213  
 D803,350 S \* 11/2017 Tian ..... D23/213  
 D808,499 S \* 1/2018 Naslund ..... D23/213  
 D809,094 S \* 1/2018 Naslund ..... D23/213  
 D810,233 S \* 2/2018 Winter ..... D23/213  
 D810,861 S \* 2/2018 Weaver ..... D23/213  
 D811,524 S \* 2/2018 Bossini ..... D23/223  
 D820,388 S \* 6/2018 Seum ..... D23/213  
 D820,949 S \* 6/2018 Reinecker ..... D23/213  
 D821,542 S \* 6/2018 Reinecker ..... D23/213  
 D824,485 S \* 7/2018 Montoya ..... D23/213  
 D833,575 S \* 11/2018 Soulier ..... D23/223  
 D839,384 S \* 1/2019 Svendsen ..... D23/213  
 D840,503 S \* 2/2019 Stein ..... D23/213  
 D841,121 S \* 2/2019 Kiefer ..... D23/213

D841,125 S \* 2/2019 Lai ..... D23/223  
 D842,429 S \* 3/2019 Huang ..... D23/213  
 D842,430 S \* 3/2019 Huang ..... D23/213  
 D842,431 S \* 3/2019 Cacka ..... D23/213  
 D842,967 S \* 3/2019 Farley ..... D23/213  
 D858,700 S \* 9/2019 Staler ..... D23/223  
 D897,495 S \* 9/2020 Schoenherr ..... D23/213  
 D900,963 S \* 11/2020 Wu ..... D23/223  
 D901,632 S \* 11/2020 Wu ..... D23/223  
 D901,633 S \* 11/2020 Wang ..... D23/223

FOREIGN PATENT DOCUMENTS

EM 000683644-0002 3/2007  
 EM 001817610-0011 3/2011

OTHER PUBLICATIONS

[https://www.amazon.com/Hansgrohe-4543820-Select-Shower-Brushed/dp/B00HMHU072/ref=sr\\_1\\_54?dchild=1&keywords=hansgrohe%2Bshower%2Bhead&qid=1601311041&sr=8-54&th=1](https://www.amazon.com/Hansgrohe-4543820-Select-Shower-Brushed/dp/B00HMHU072/ref=sr_1_54?dchild=1&keywords=hansgrohe%2Bshower%2Bhead&qid=1601311041&sr=8-54&th=1) (Year: 2014).\*  
 Kunhong hand-held shower shower, Jun. 8, 2020 Amazon.com Mar. 25, 202, URL: [https://www.amazon.com/dp/B089SSM4XH/ref=sbl\\_dpx\\_B089SSM4XH\\_0](https://www.amazon.com/dp/B089SSM4XH/ref=sbl_dpx_B089SSM4XH_0) (Year: 2020).\*

\* cited by examiner

FIG. 1

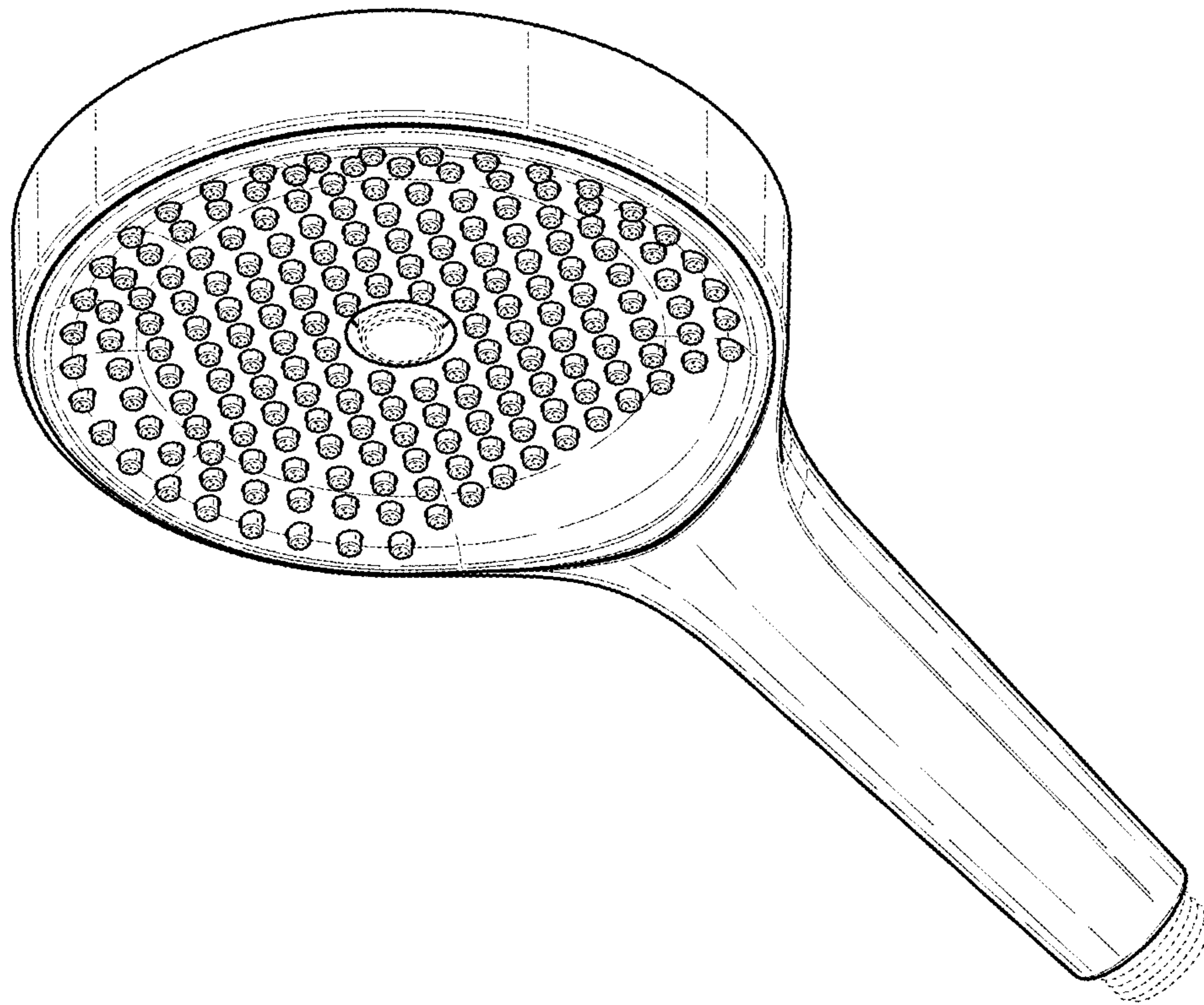


FIG. 2

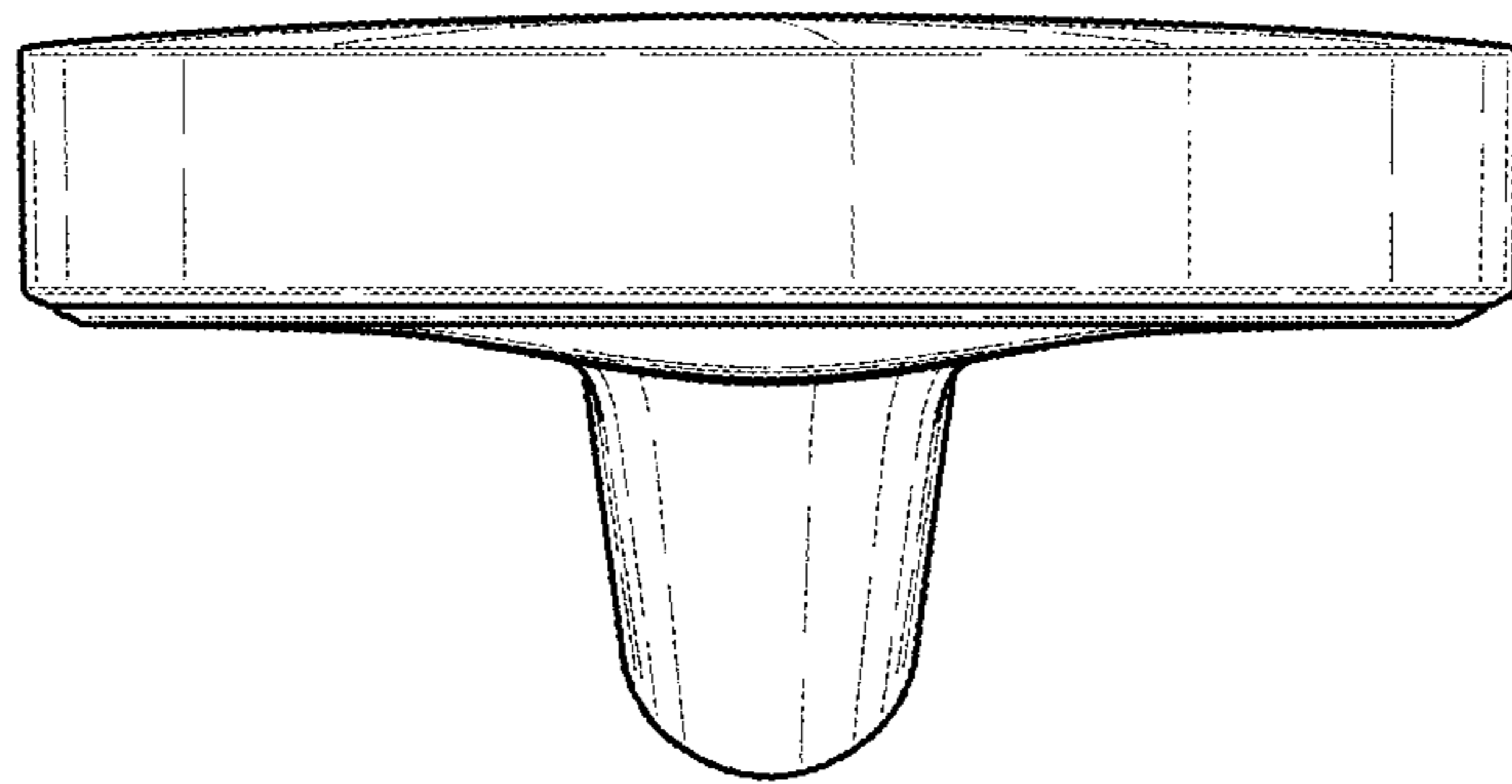


FIG. 3

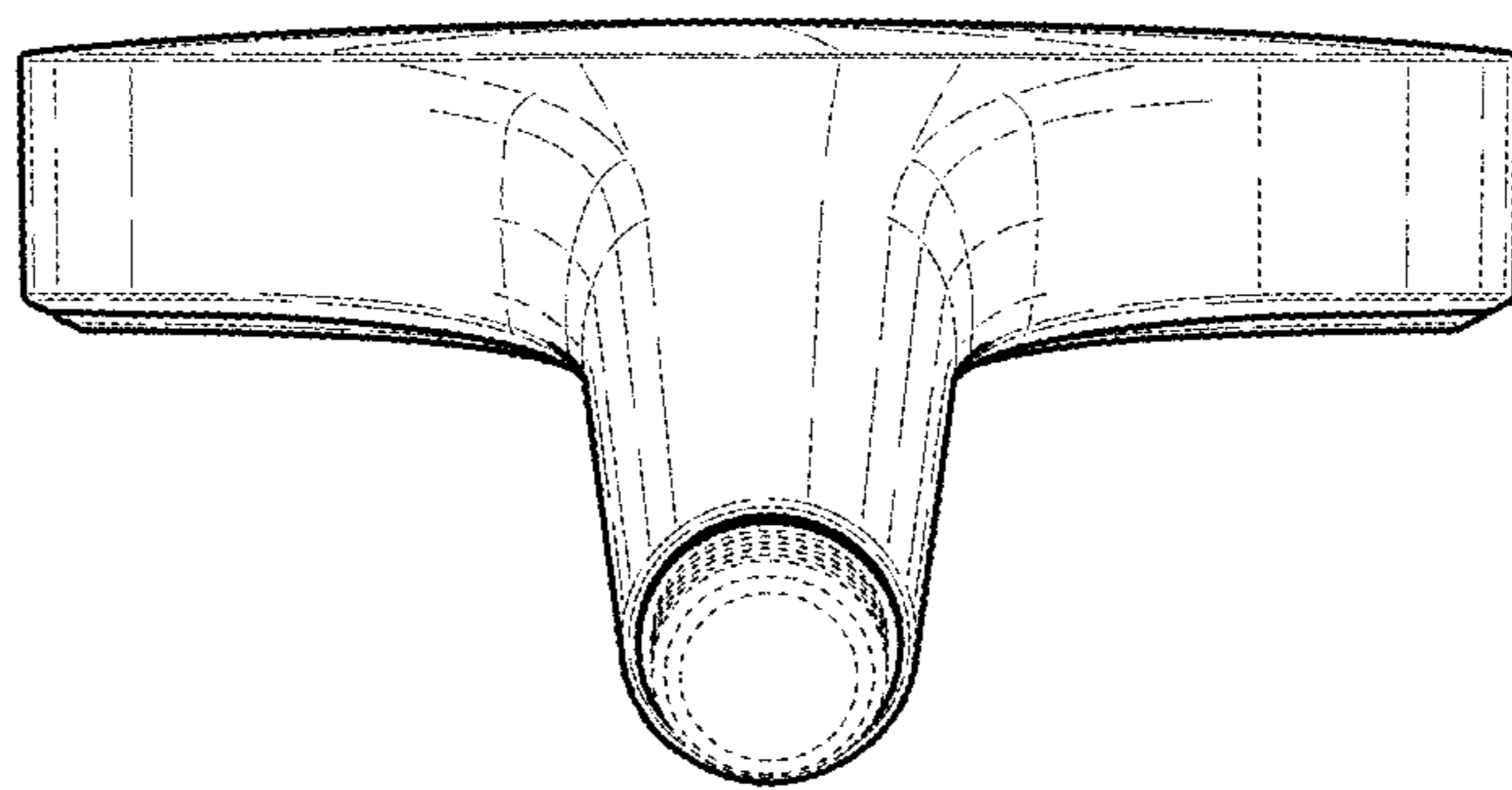


FIG. 4

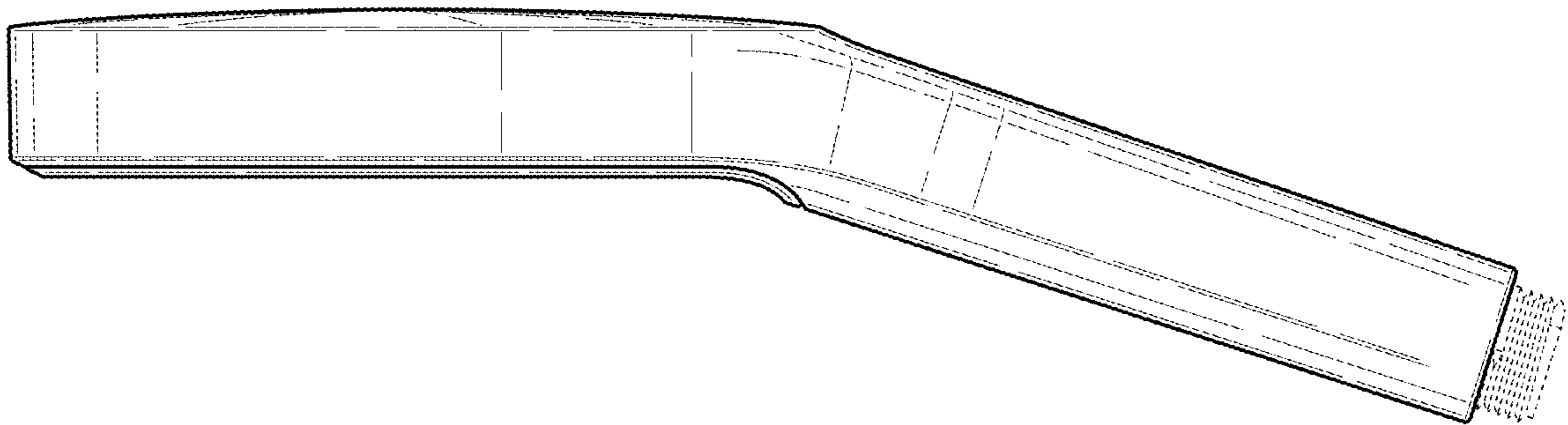


FIG. 5



FIG. 6

