



US00D924359S

(12) **United States Design Patent** (10) **Patent No.:** **US D924,359 S**
Schoenherr et al. (45) **Date of Patent:** **** *Jul. 6, 2021**

(54) **HANSHOWER**
(71) Applicant: **Hansgrohe SE**, Schiltach (DE)
(72) Inventors: **Tom Schoenherr**, Stuttgart (DE);
Matthias Oesterle, Winterbach (DE)
(73) Assignee: **Hansgrohe SE**, Schiltach (DE)

D694,361 S 11/2013 Schoenherr et al.
D707,330 S * 6/2014 Schoenherr D23/223
D713,004 S * 9/2014 Schoenherr D23/223
D713,496 S * 9/2014 Schoenherr D23/213
D718,418 S * 11/2014 Georgeson D23/213
D730,493 S * 5/2015 Sehl D23/261
D733,258 S * 6/2015 Sandee D23/223
D737,931 S * 9/2015 Schoenherr D23/223

(Continued)

(*) Notice: This patent is subject to a terminal disclaimer.

FOREIGN PATENT DOCUMENTS

(**) Term: **15 Years**

CN 304620558 5/2018
CN 304647392 5/2018

(Continued)

(21) Appl. No.: **29/693,174**

OTHER PUBLICATIONS

(22) Filed: **May 31, 2019**

<https://www.amazon.com/Croma-Select-3-Jet-Shower-Faucet/dp/> (Year: 2016).*

(30) **Foreign Application Priority Data**

(Continued)

Dec. 4, 2018 (EM) 005843083-0001

(51) **LOC (13) Cl.** **23-01**

Primary Examiner — Jack Reickel

(52) **U.S. Cl.**

Assistant Examiner — Keith J Wilson

USPC **D23/223**

(74) *Attorney, Agent, or Firm* — Lora J. Graentzdoerffer

(58) **Field of Classification Search**

(57) **CLAIM**

USPC D23/207, 213, 214, 215, 223, 224, 226,
D23/229, 230

The ornamental design for a handshower, as shown and described.

CPC A61H 9/0021; A61H 33/00; B05B 1/00;
B05B 1/14; B05B 1/185; B05B 1/08;
B05B 1/02; B05B 1/26; B05B 12/002;
B05B 1/18; B05B 9/01

DESCRIPTION

See application file for complete search history.

FIG. 1 is a perspective view of a handshower showing our design;

(56) **References Cited**

U.S. PATENT DOCUMENTS

D487,498 S * 3/2004 Blomstrom D23/213
D508,730 S * 8/2005 Blomstrom D23/229
D524,412 S * 7/2006 Blomstrom D23/229
D680,619 S * 4/2013 Zhadanov D23/223
D681,776 S * 5/2013 Cutler D23/223
D694,357 S * 11/2013 Brodey D23/213
D694,359 S * 11/2013 Schoenherr D23/213

FIG. 2 is a front elevation view;

FIG. 3 is a rear elevation view;

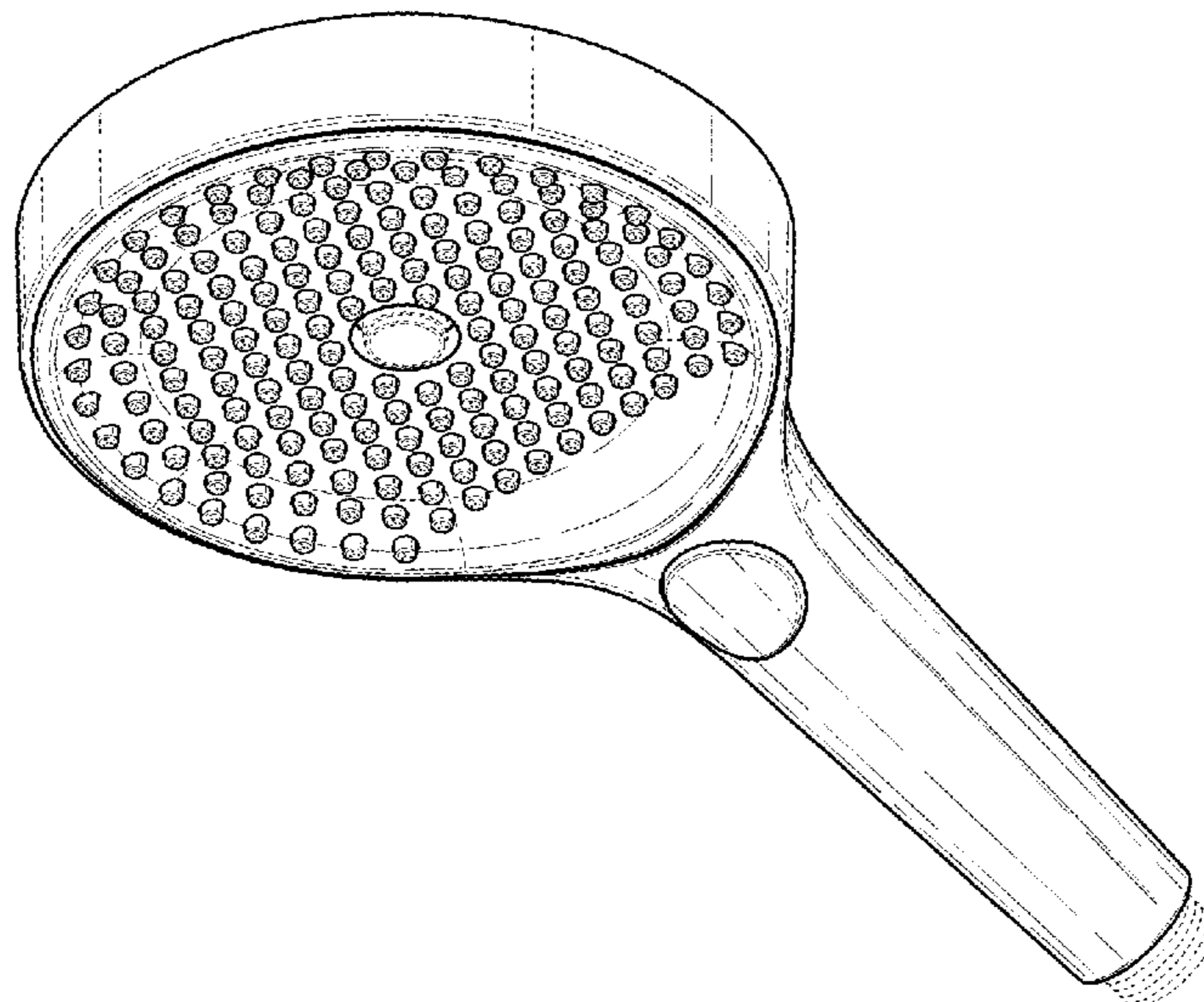
FIG. 4 is a side elevation view;

FIG. 5 is a top plan view; and,

FIG. 6 is a bottom plan view.

The broken-line disclosures in the view represents portions of the handshower in which the claimed design is embodied, but which forms no part of the claimed design.

1 Claim, 6 Drawing Sheets



(56)

References Cited

U.S. PATENT DOCUMENTS

D737,932 S * 9/2015 Nikles D23/223
 D743,507 S * 11/2015 Georgeson D23/252
 D746,955 S * 1/2016 Corder D23/261
 D752,711 S * 3/2016 Georgeson D23/213
 9,387,495 B2 * 7/2016 Schumacher B05B 1/30
 D778,404 S * 2/2017 Schoenherr D23/223
 D779,038 S * 2/2017 Hanna D23/223
 D779,039 S * 2/2017 Hanna D23/223
 D801,475 S * 10/2017 Naslund D23/213
 D803,350 S * 11/2017 Tian D23/213
 D808,499 S * 1/2018 Naslund D23/213
 D809,094 S * 1/2018 Naslund D23/213
 D810,233 S * 2/2018 Winter D23/213
 D810,861 S * 2/2018 Weaver D23/213
 D811,524 S * 2/2018 Bossini D23/223
 D820,388 S * 6/2018 Seum D23/213
 D820,949 S * 6/2018 Reinecker D23/213
 D821,542 S * 6/2018 Reinecker D23/213
 D824,485 S * 7/2018 Montoya D23/213
 D833,575 S * 11/2018 Soulier D23/223
 D839,384 S * 1/2019 Svendsen D23/213
 D840,503 S * 2/2019 Stein D23/213
 D841,121 S * 2/2019 Kiefer D23/213
 D841,125 S * 2/2019 Lai D23/223

D842,429 S * 3/2019 Huang D23/213
 D842,430 S * 3/2019 Huang D23/213
 D842,431 S * 3/2019 Cacka D23/213
 D842,967 S * 3/2019 Farley D23/213
 D858,700 S * 9/2019 Staler D23/223
 D897,495 S * 9/2020 Schoenherr D23/213
 D900,963 S * 11/2020 Wu D23/223
 D901,632 S * 11/2020 Wu D23/223
 D901,633 S * 11/2020 Wang D23/223

FOREIGN PATENT DOCUMENTS

EM 000683644-0002 3/2007
 EM 001817610-0011 3/2011

OTHER PUBLICATIONS

https://www.amazon.com/Hansgrohe-4543820-Select-Shower-Brushed/dp/B00HMHU072/ref=sr_1_54?dchild=1&keywords=hansgrohe%2Bshower%2Bhead&qid=1601311041&sr=8-54&th=1 (Year: 2014).
 * Handheld Showerhead—WaterSong Three-function Hand-hold Shower, Mar. 12, 2021 Amazon.com Mar. 25, 2002, URL: <https://www.amazon.com/dp/Bhttps://www.amazon.com/Handheld-Showerhead-WaterSong-Three-function-Hand-hold/dp/B08V8PKT88/> (Year: 2021).
 * cited by examiner

FIG. 1

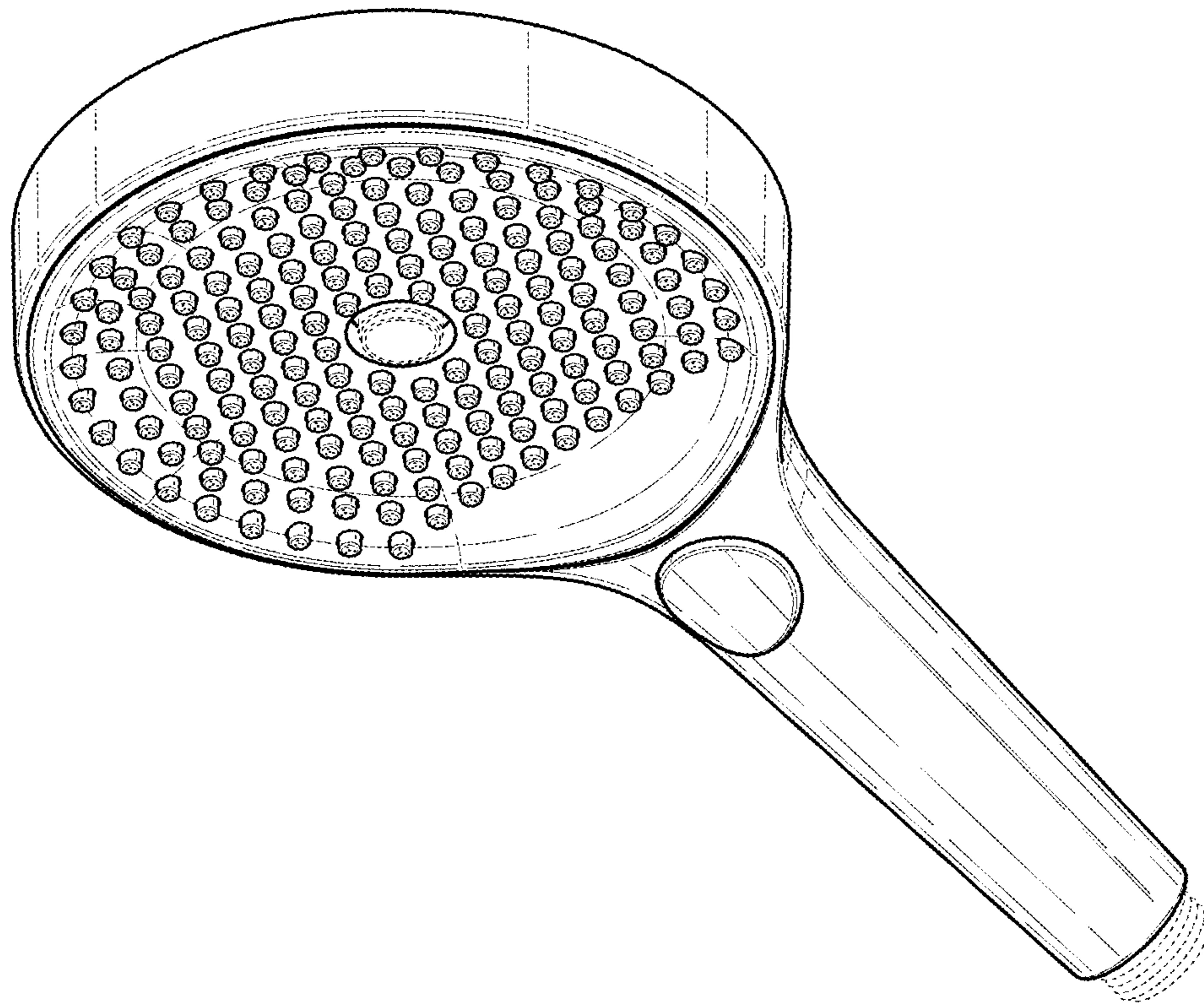


FIG. 2

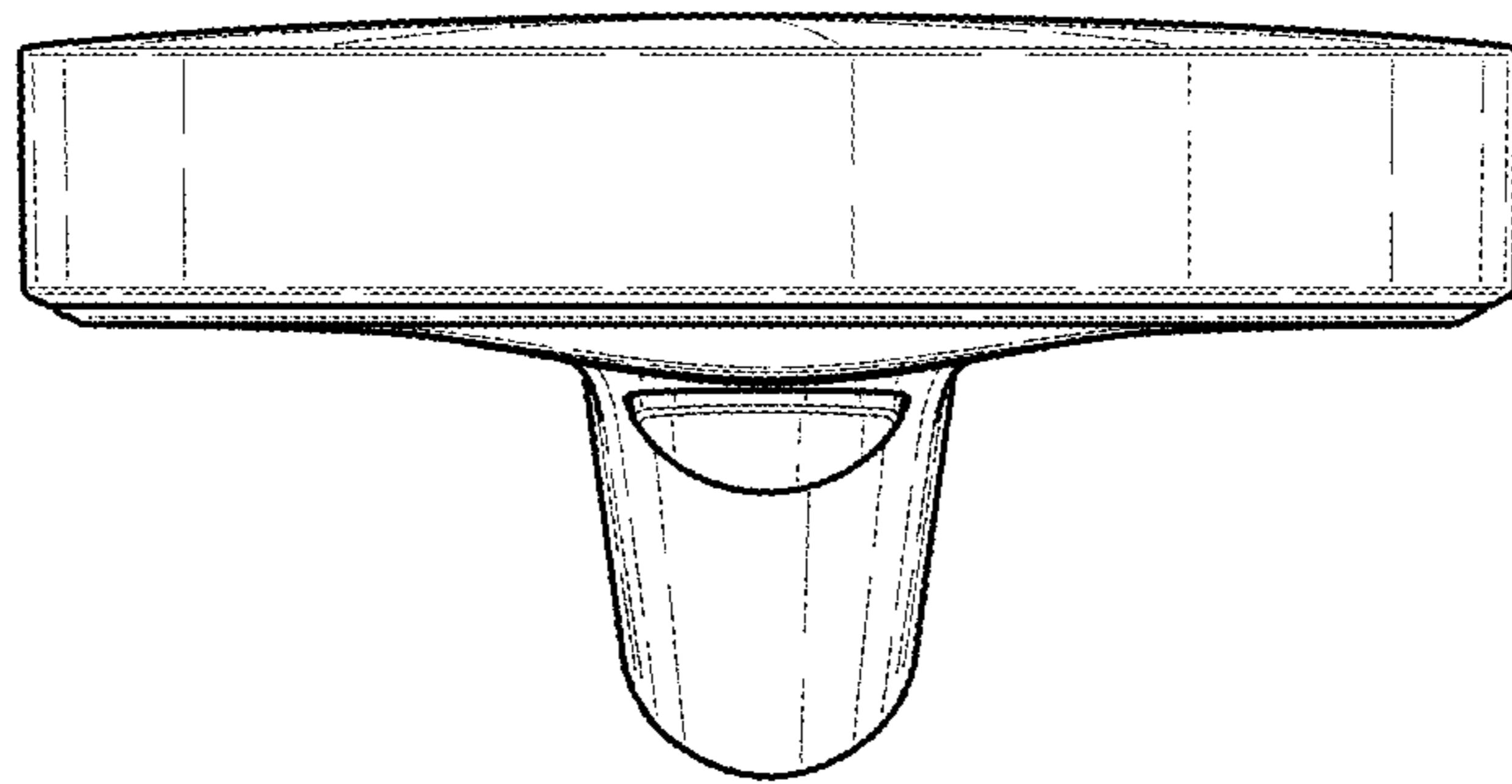


FIG. 3

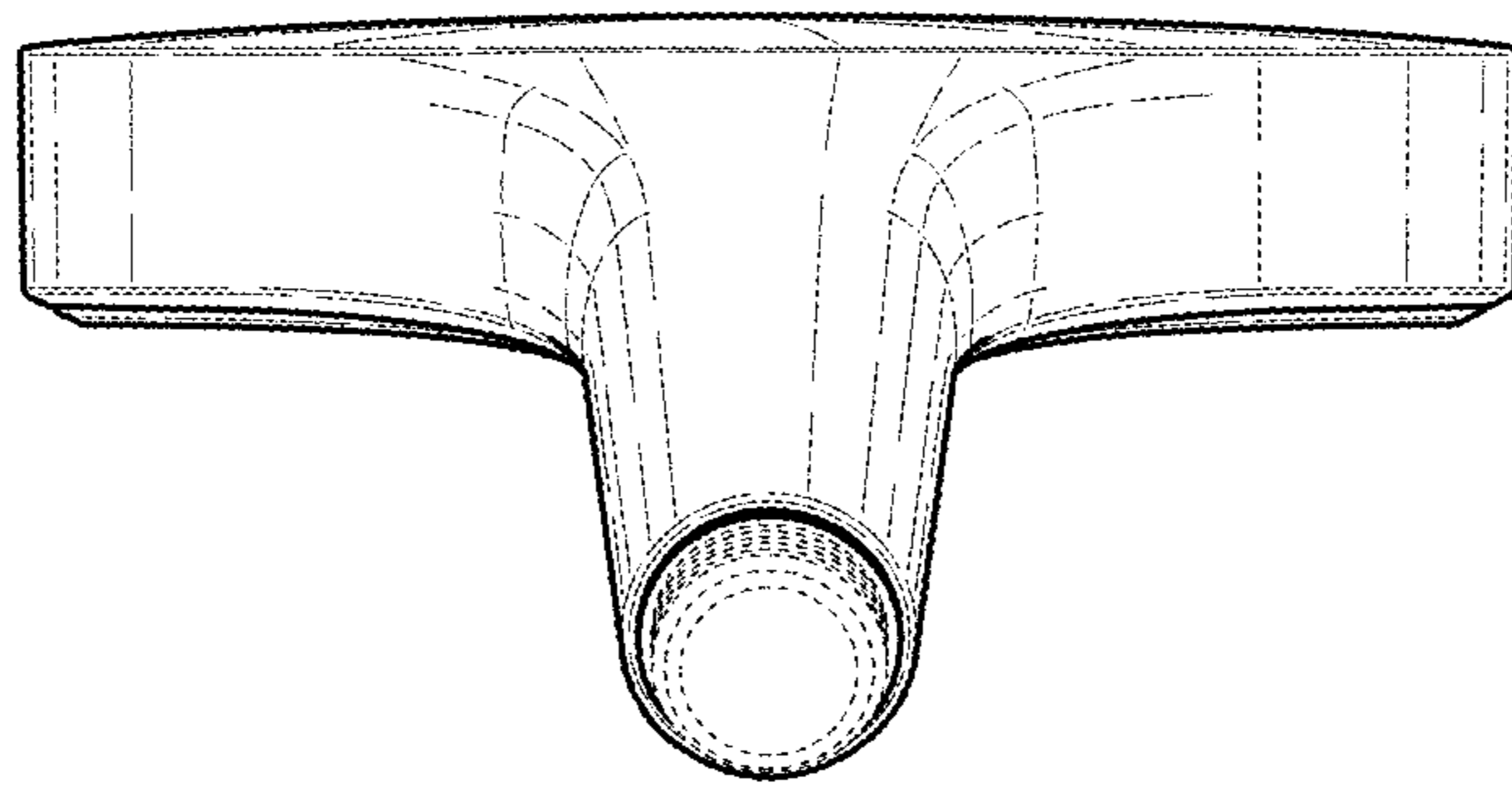


FIG. 4

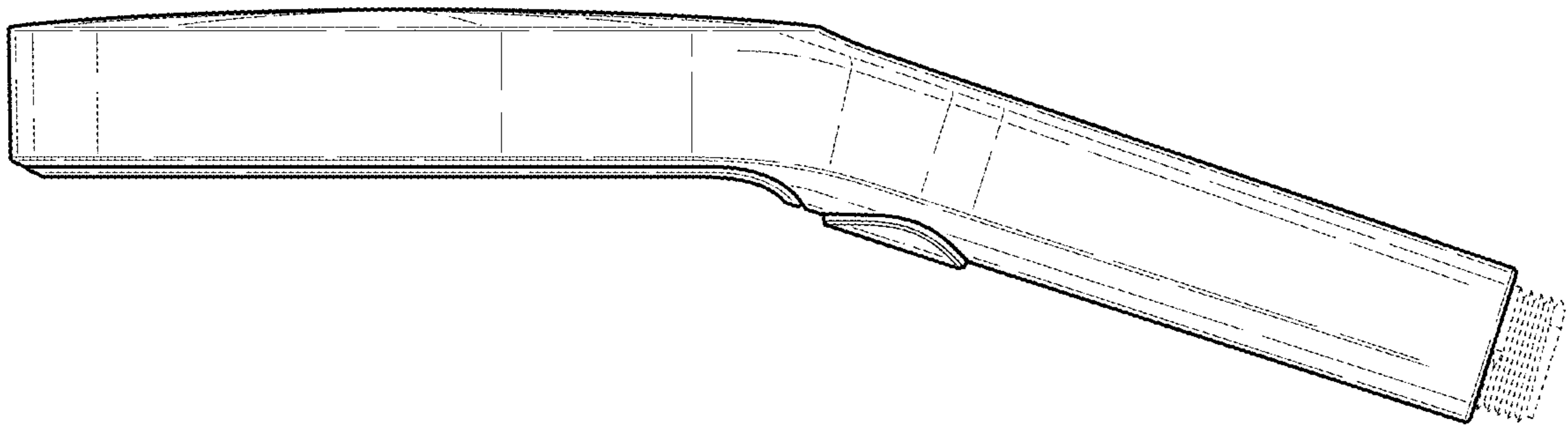


FIG. 5



FIG. 6

