



US00D924357S

(12) **United States Design Patent**  
**Lai et al.**

(10) **Patent No.:** **US D924,357 S**  
(45) **Date of Patent:** **\*\* Jul. 6, 2021**

(54) **SHOWER HEAD**

(71) Applicant: **KYLIN Sanitary Technology**  
**(Xiamen) Co., Ltd., Xiamen (CN)**

(72) Inventors: **Cungui Lai, Xiamen (CN); Jiahao Du,**  
**Xiamen (CN); Qingshuang Li, Xiamen**  
**(CN)**

(73) Assignee: **KYLIN SANITARY TECHNOLOGY**  
**(XIAMEN) CO., LTD., Xiamen (CN)**

(\*\*) Term: **15 Years**

(21) Appl. No.: **29/731,866**

(22) Filed: **Apr. 19, 2020**

(51) **LOC (13) Cl.** ..... **23-01**

(52) **U.S. Cl.**  
USPC ..... **D23/213**

(58) **Field of Classification Search**  
USPC ..... D23/213, 214, 215, 223, 224, 226, 229  
CPC ..... A61H 9/0021; A61H 33/00; B05B 1/00;  
B05B 1/14; B05B 1/185; B05B 1/08;  
B05B 1/02; B05B 1/26; B05B 12/002;  
B05B 1/18; B05B 9/01  
See application file for complete search history.

(56) **References Cited**

**U.S. PATENT DOCUMENTS**

D410,996 S *	6/1999	Ben-Tsur	.....	D23/229
D430,267 S *	8/2000	Milrud	.....	D23/213
D487,498 S *	3/2004	Blomstrom	.....	D23/213
D500,121 S *	12/2004	Blomstrom	.....	D23/213
D500,839 S *	1/2005	Blomstrom	.....	D23/229
D507,820 S *	7/2005	Blomstrom	.....	D23/229
D509,282 S *	9/2005	Blomstrom	.....	D23/229
D511,810 S *	11/2005	Hanna	.....	D23/229
D536,420 S *	2/2007	Paterson	.....	D23/229
D555,769 S *	11/2007	Lee	.....	D23/229
D556,296 S *	11/2007	Genord	.....	D23/229

D560,273 S *	1/2008	Hanna	.....	D23/229
D566,232 S *	4/2008	Miedzius	.....	D23/229
D617,873 S *	6/2010	Lee	.....	D23/229
D617,874 S *	6/2010	Lee	.....	D23/229
D619,680 S *	7/2010	Lee	.....	D23/229
D638,100 S *	5/2011	Juan	.....	D23/213
D662,180 S *	6/2012	Cutler	.....	D23/229
D681,780 S *	5/2013	Cutler	.....	D23/229
D718,418 S *	11/2014	Georgeson	.....	D23/213

(Continued)

**OTHER PUBLICATIONS**

[https://www.amazon.com/dp/B00BYG96TK/ref=sbl\\_dp\\_x\\_B0050HP4QS\\_0](https://www.amazon.com/dp/B00BYG96TK/ref=sbl_dp_x_B0050HP4QS_0) (Year: 2013).\*

(Continued)

*Primary Examiner* — Jack Reickel  
*Assistant Examiner* — Keith J Wilson

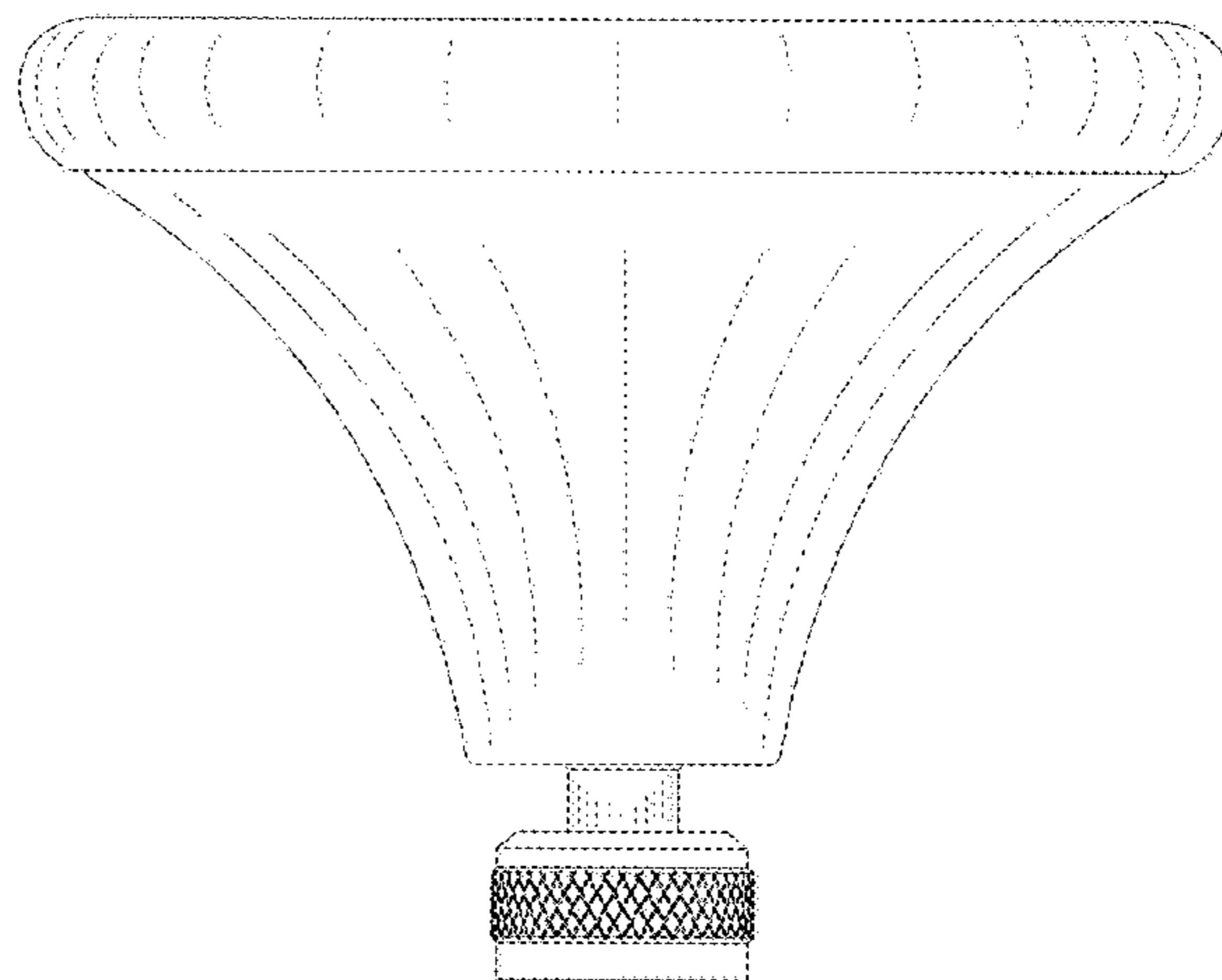
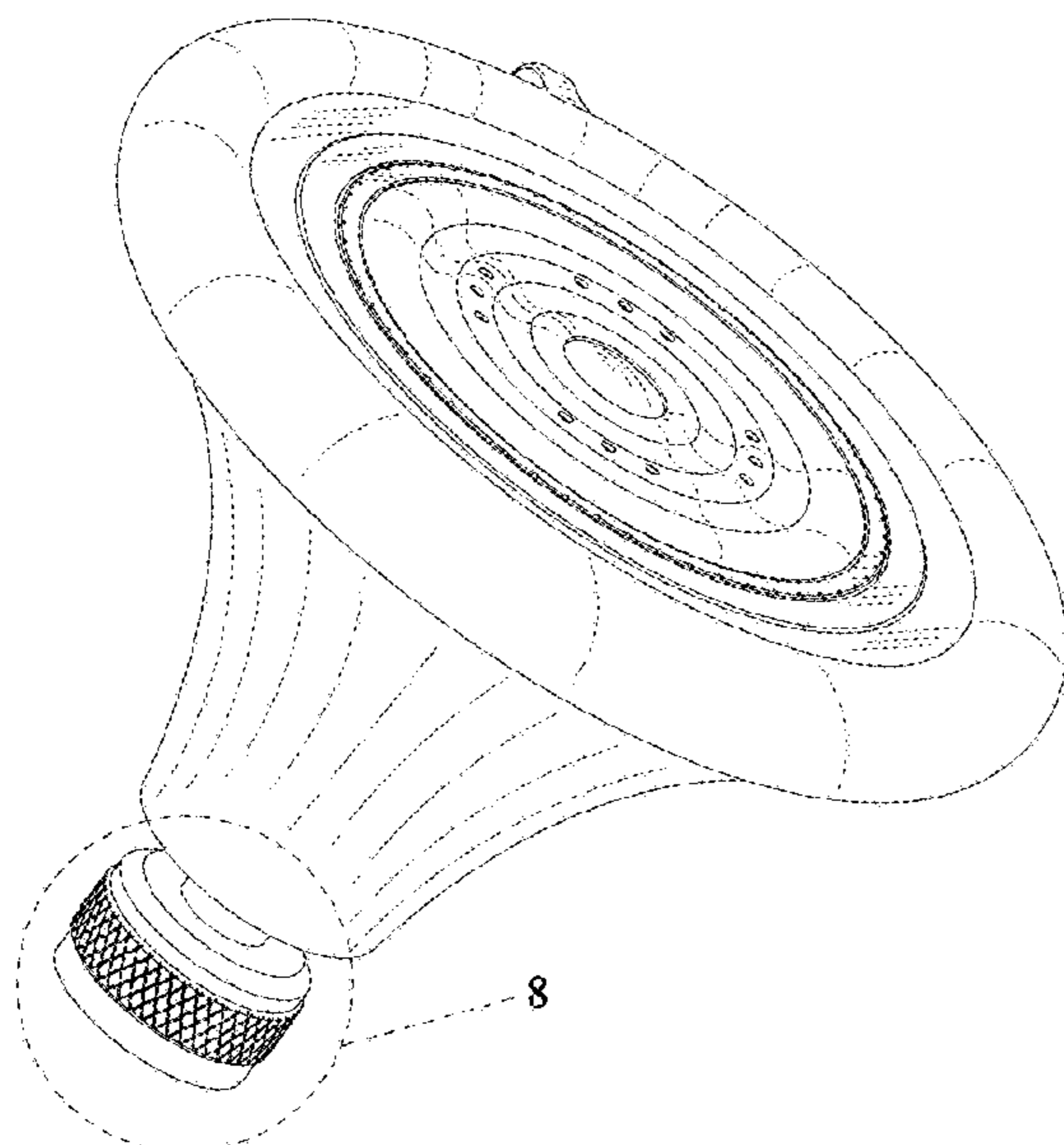
(57) **CLAIM**

The ornamental design for a shower head, as shown and described.

**DESCRIPTION**

FIG. 1 is a perspective view of a shower head showing the claimed design;  
FIG. 2 is a front elevational view thereof;  
FIG. 3 is a rear elevational view thereof;  
FIG. 4 is a left side elevational view thereof;  
FIG. 5 is a right side elevational view thereof;  
FIG. 6 is a top plan view thereof;  
FIG. 7 is a bottom plan view thereof;  
FIG. 8 is a partial enlarged perspective view of FIG. 1;  
FIG. 9 is a partial enlarged perspective view of FIG. 7; and,  
FIG. 10 is a partial enlarged perspective view of FIG. 6.  
The broken lines in the figures are for the purpose of illustrating portions of the shower head that form no part of the claimed design.

**1 Claim, 10 Drawing Sheets**



(56)

**References Cited**

U.S. PATENT DOCUMENTS

D838,810 S \* 1/2019 Lai ..... D23/229

OTHER PUBLICATIONS

[https://www.amazon.com/dp/B07WHTJRY6/ref=emc\\_b\\_5\\_t?th=1](https://www.amazon.com/dp/B07WHTJRY6/ref=emc_b_5_t?th=1)  
(Year: 2019).\*

[https://www.amazon.com/dp/B07WHTDY39/ref=emc\\_b\\_5\\_t?th=1](https://www.amazon.com/dp/B07WHTDY39/ref=emc_b_5_t?th=1)  
(Year: 2019).\*

\* cited by examiner

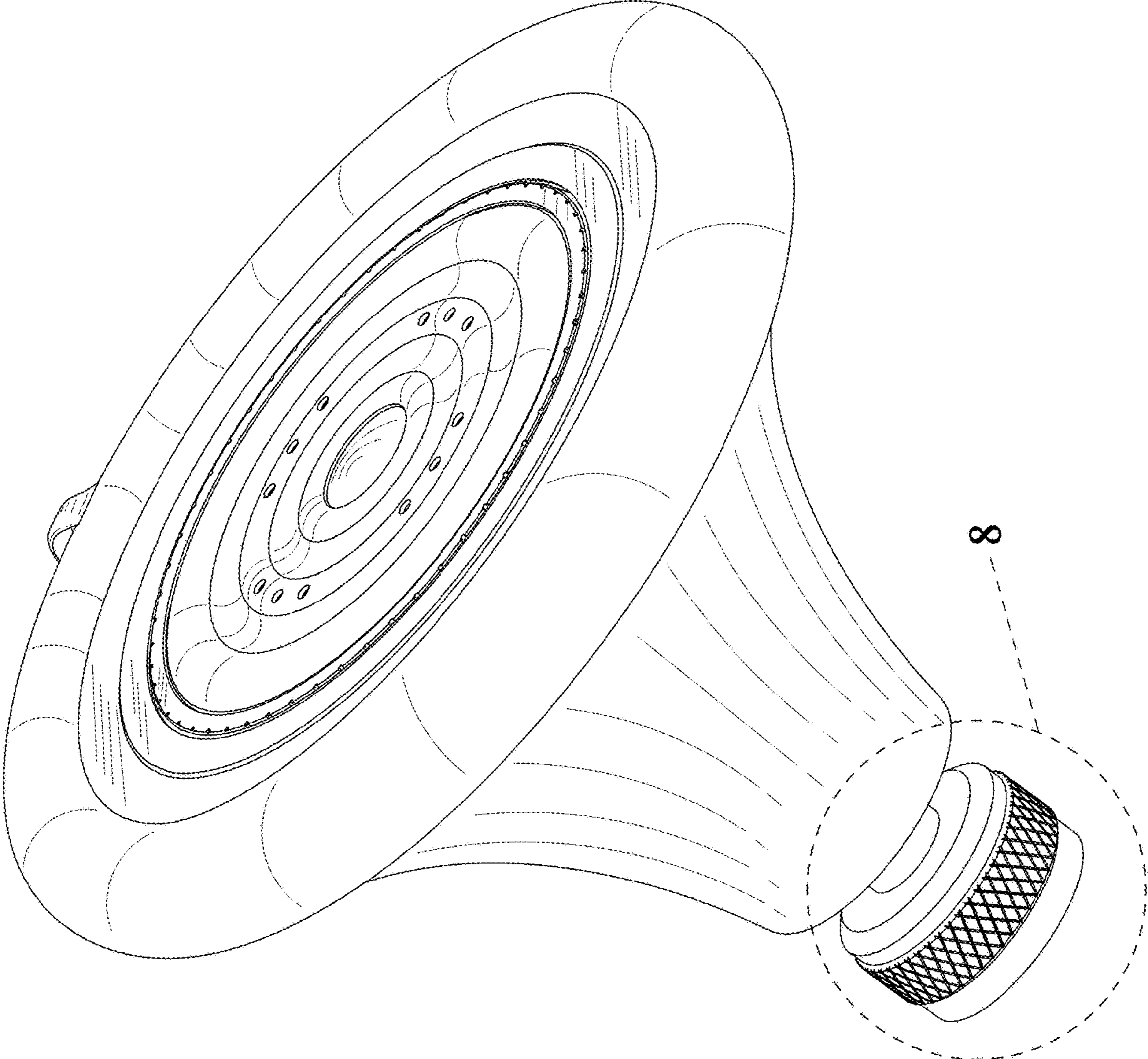


FIG.1

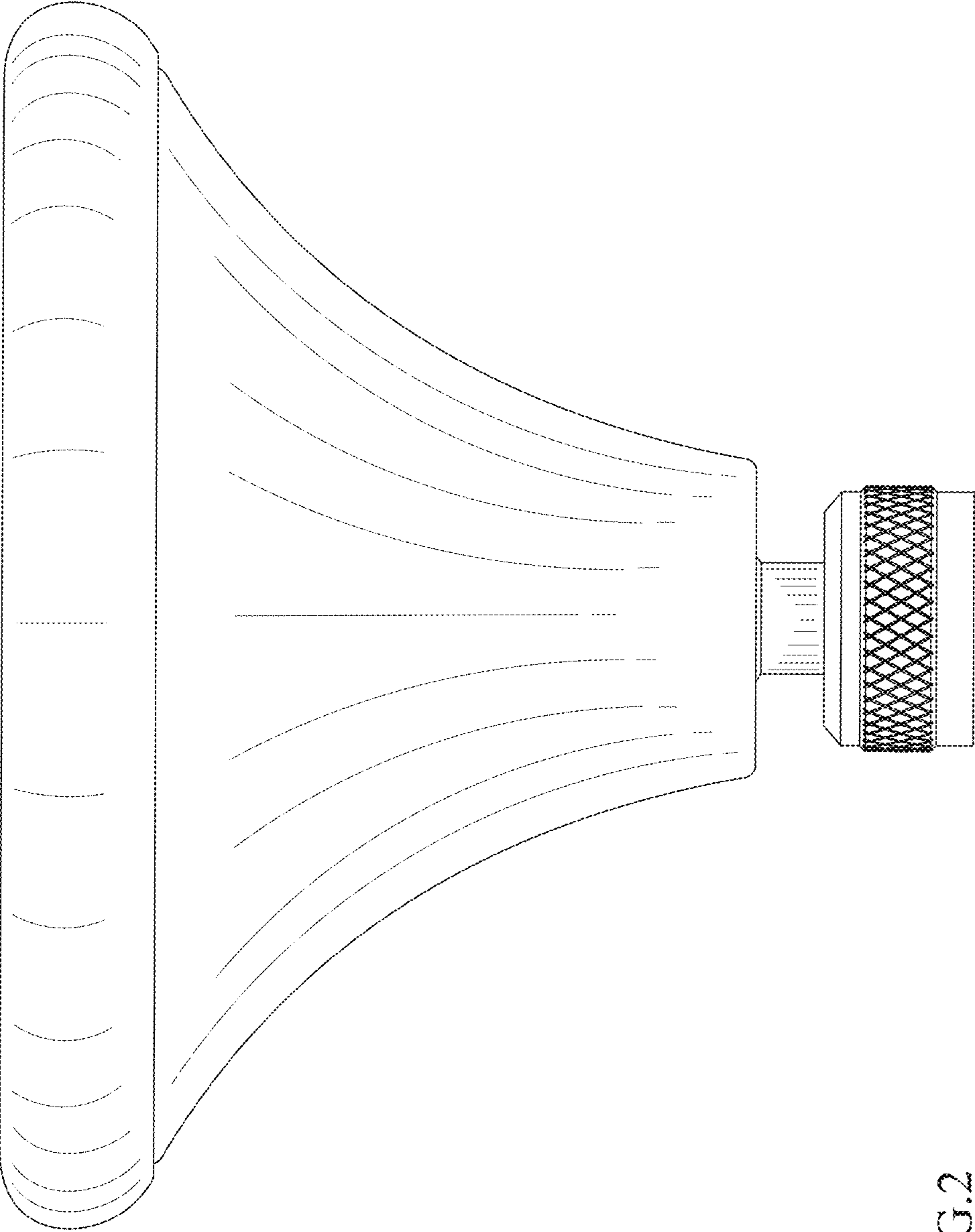


FIG.2

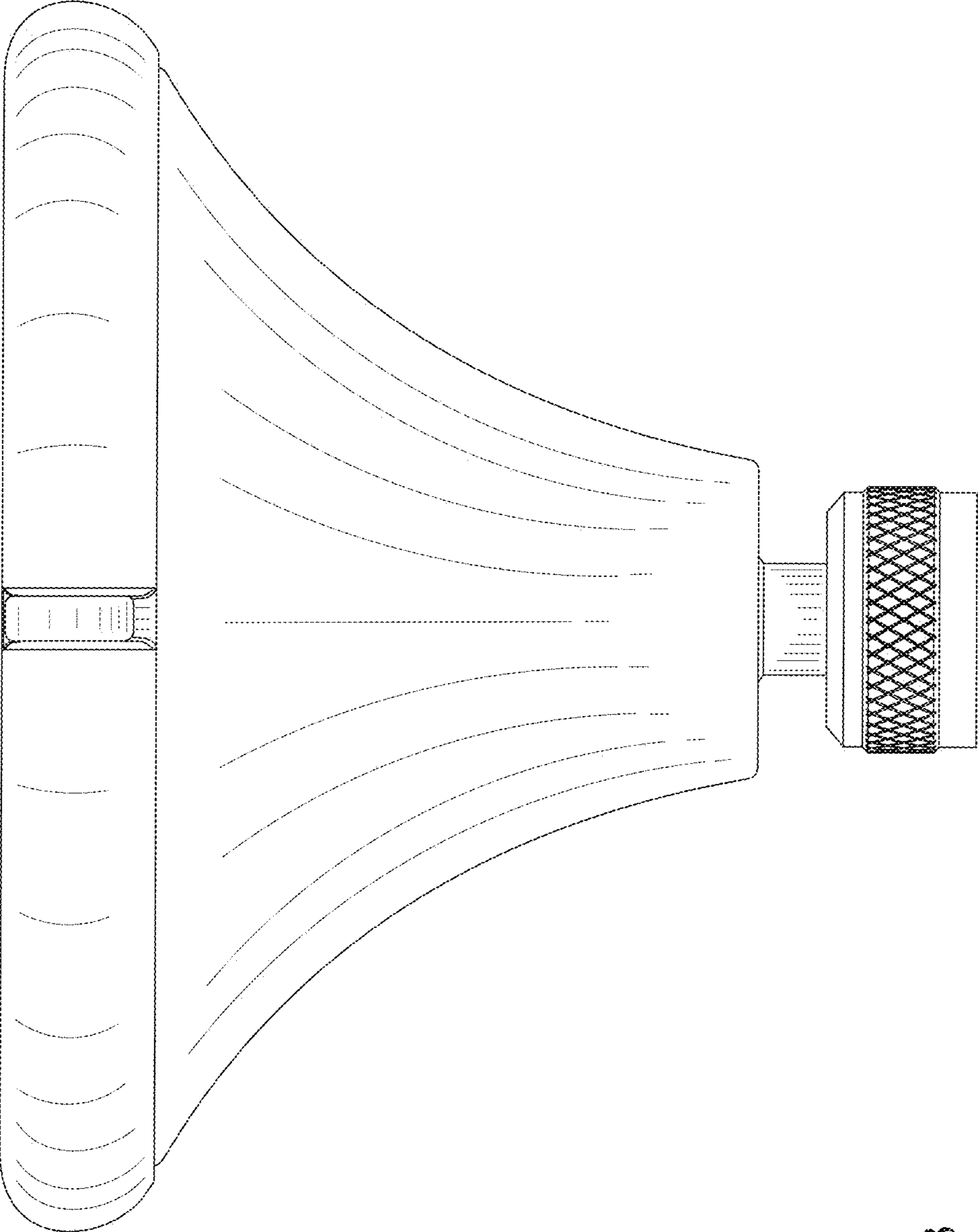


FIG.3

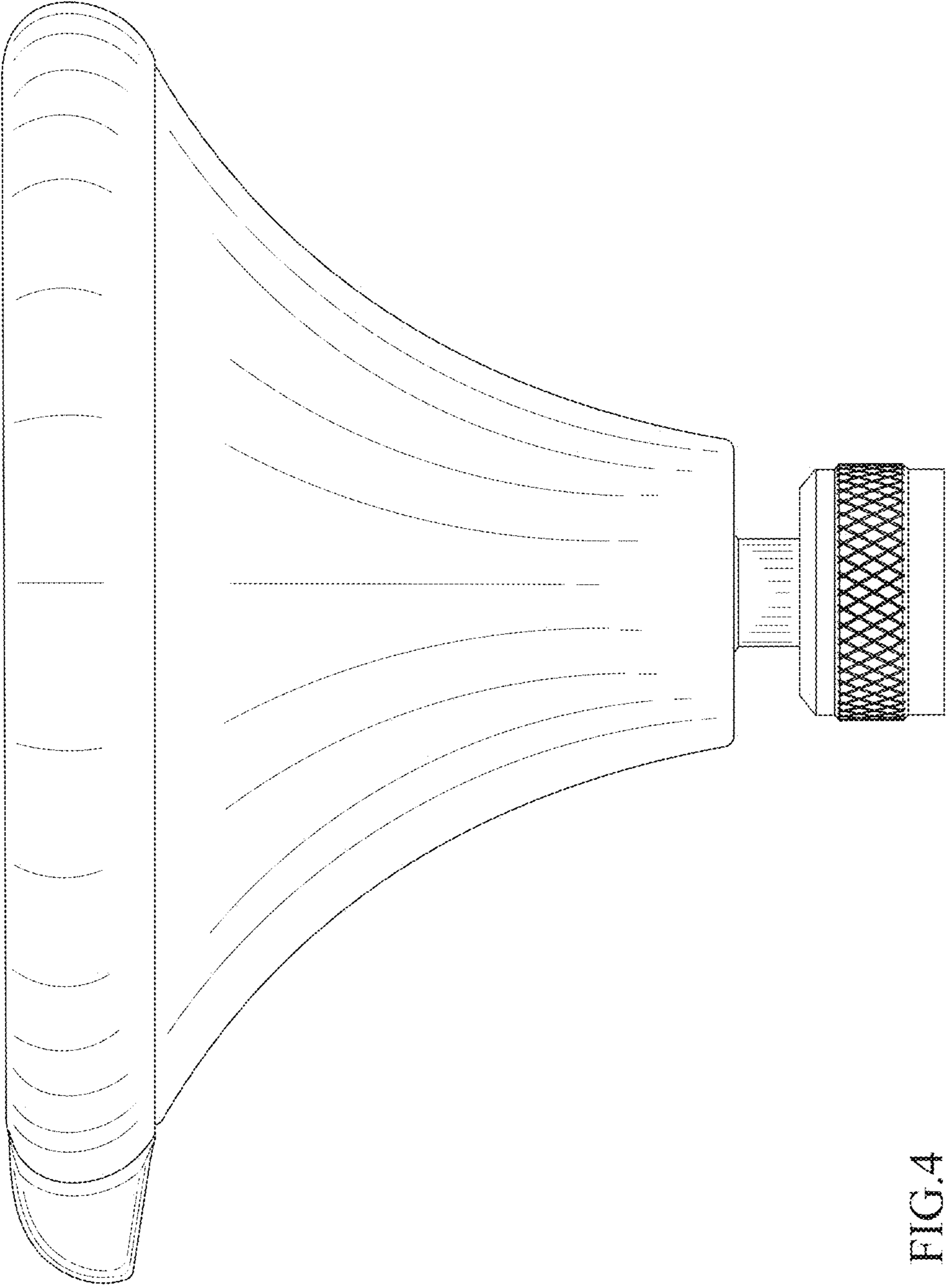


FIG.4

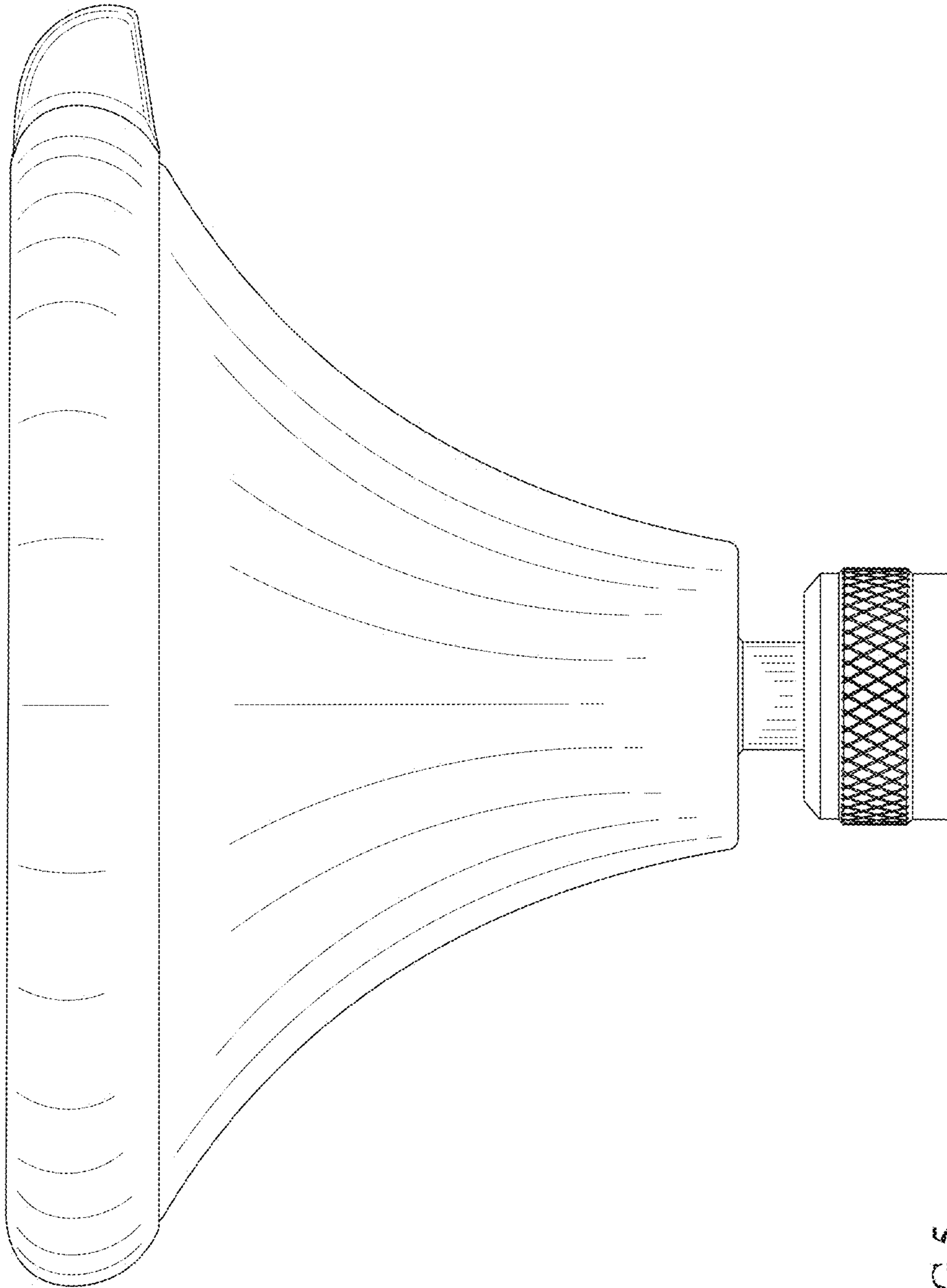


FIG. 5

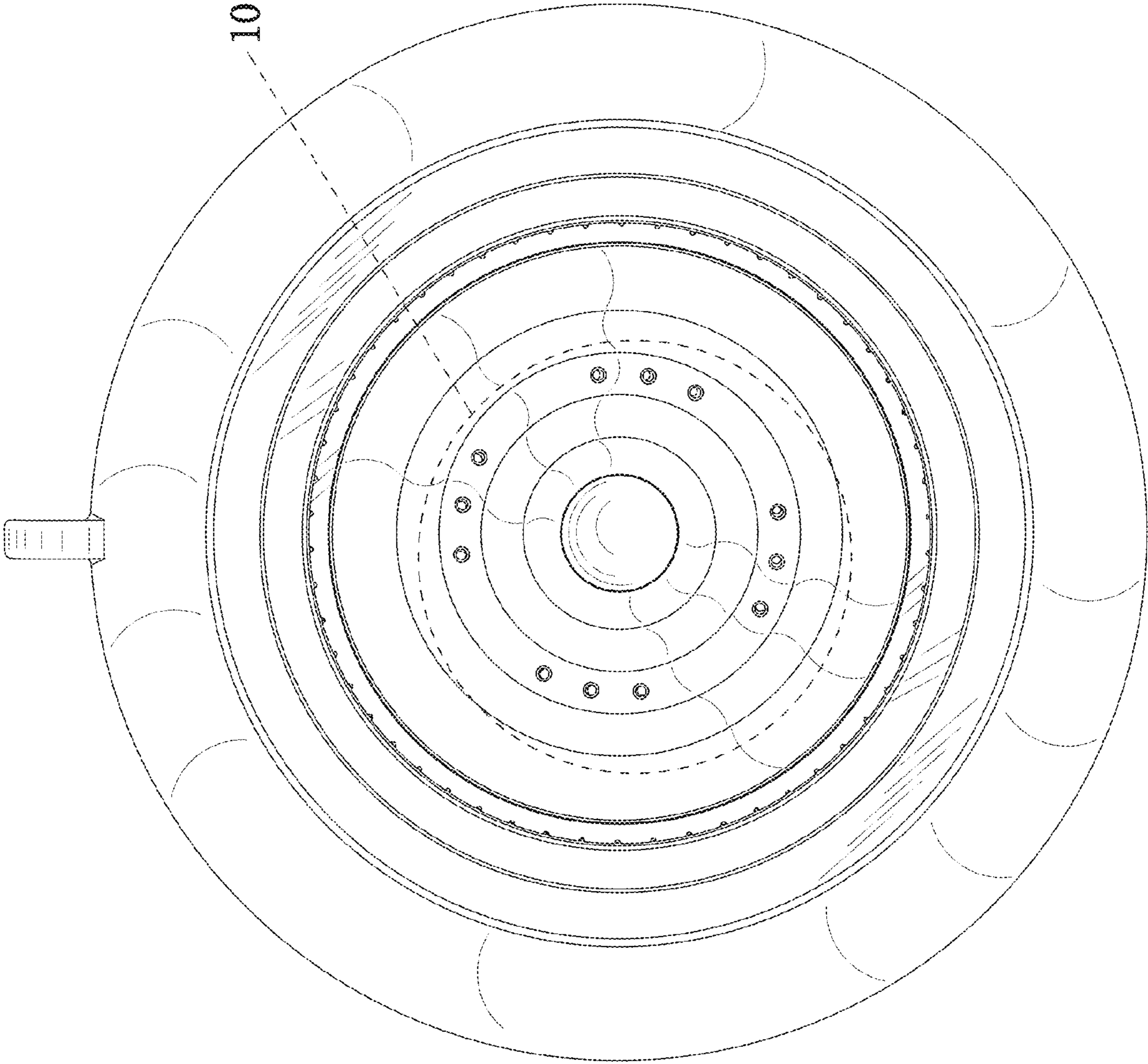


Fig. 6



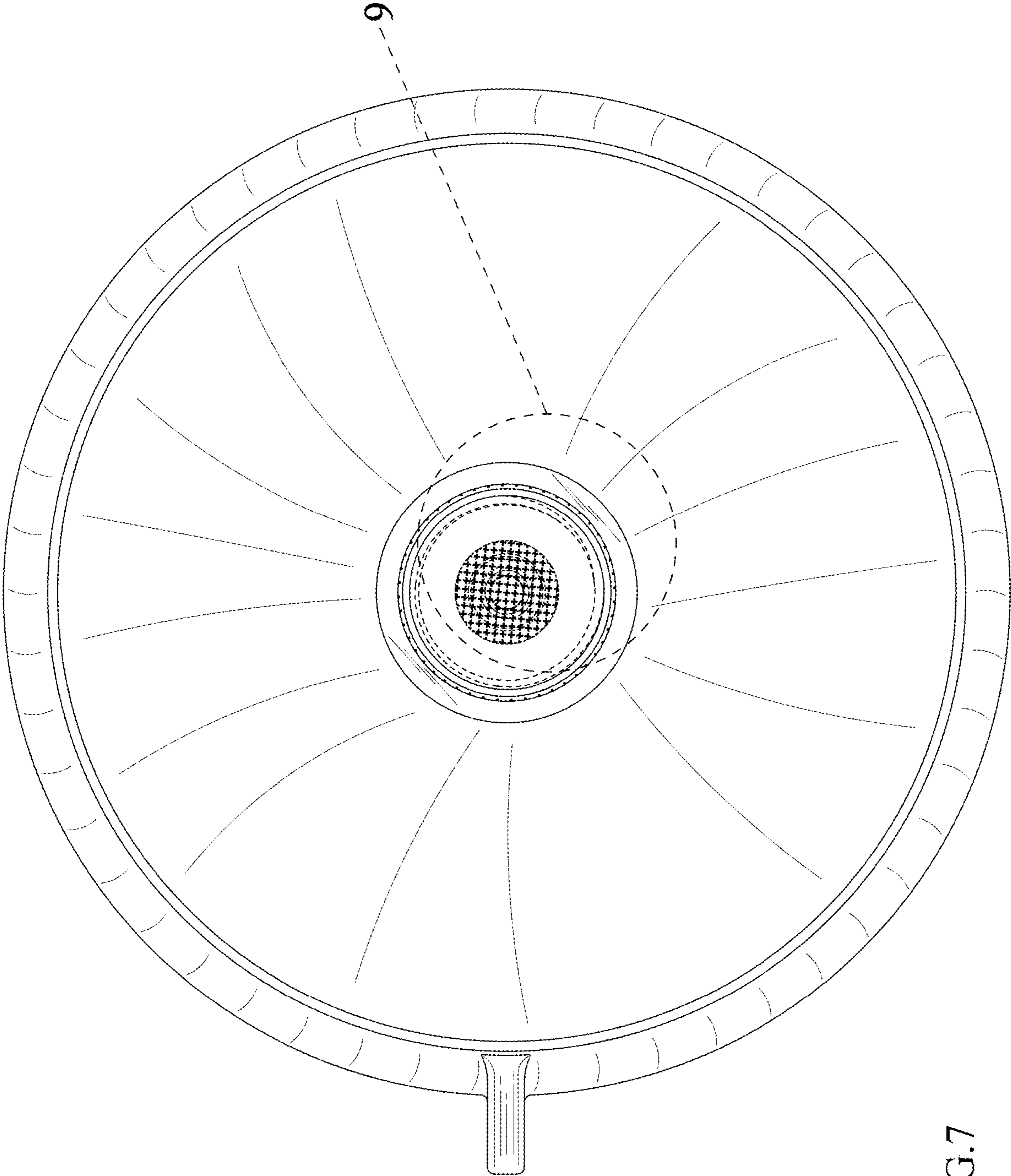


FIG.7

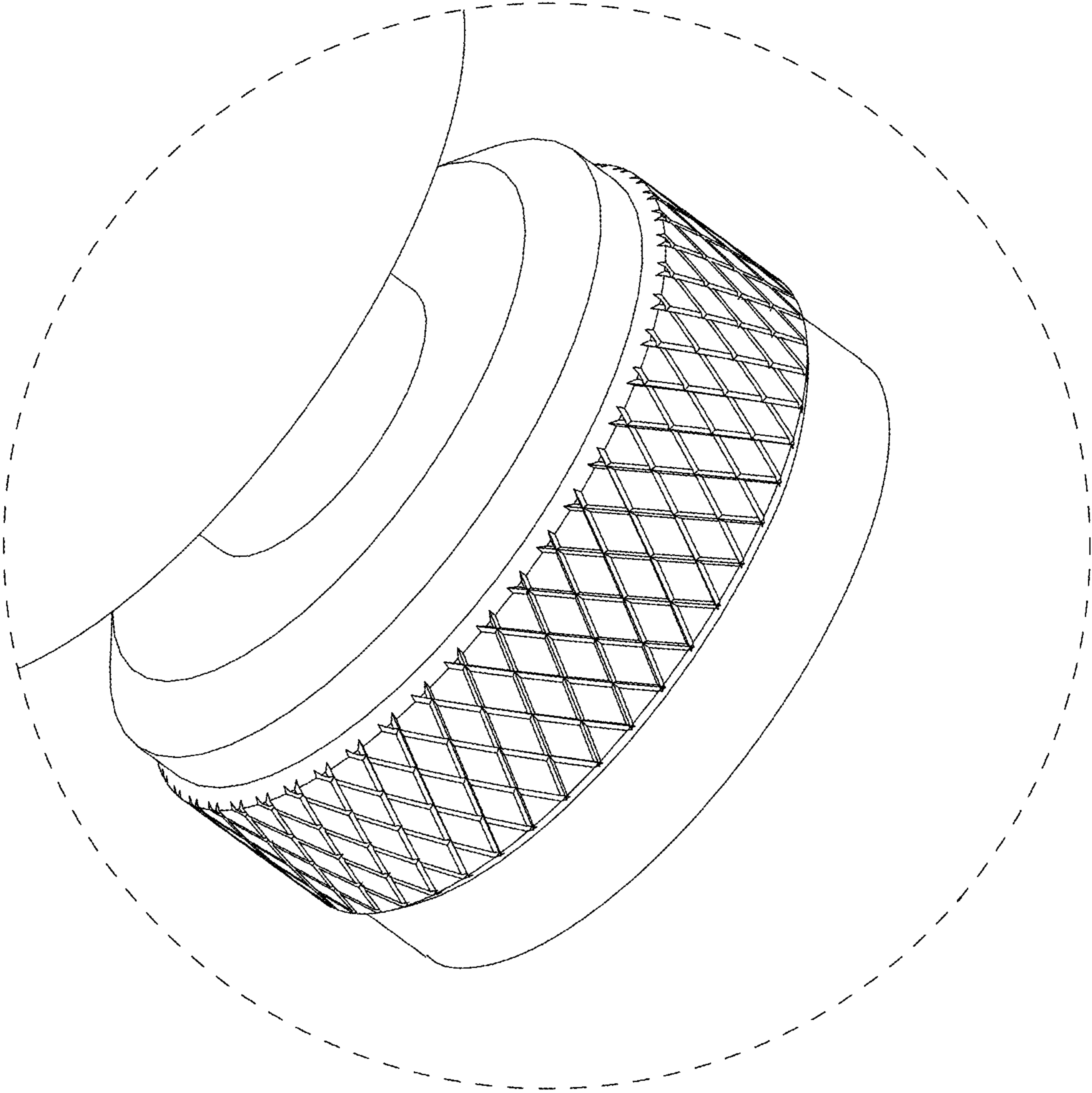


FIG. 8

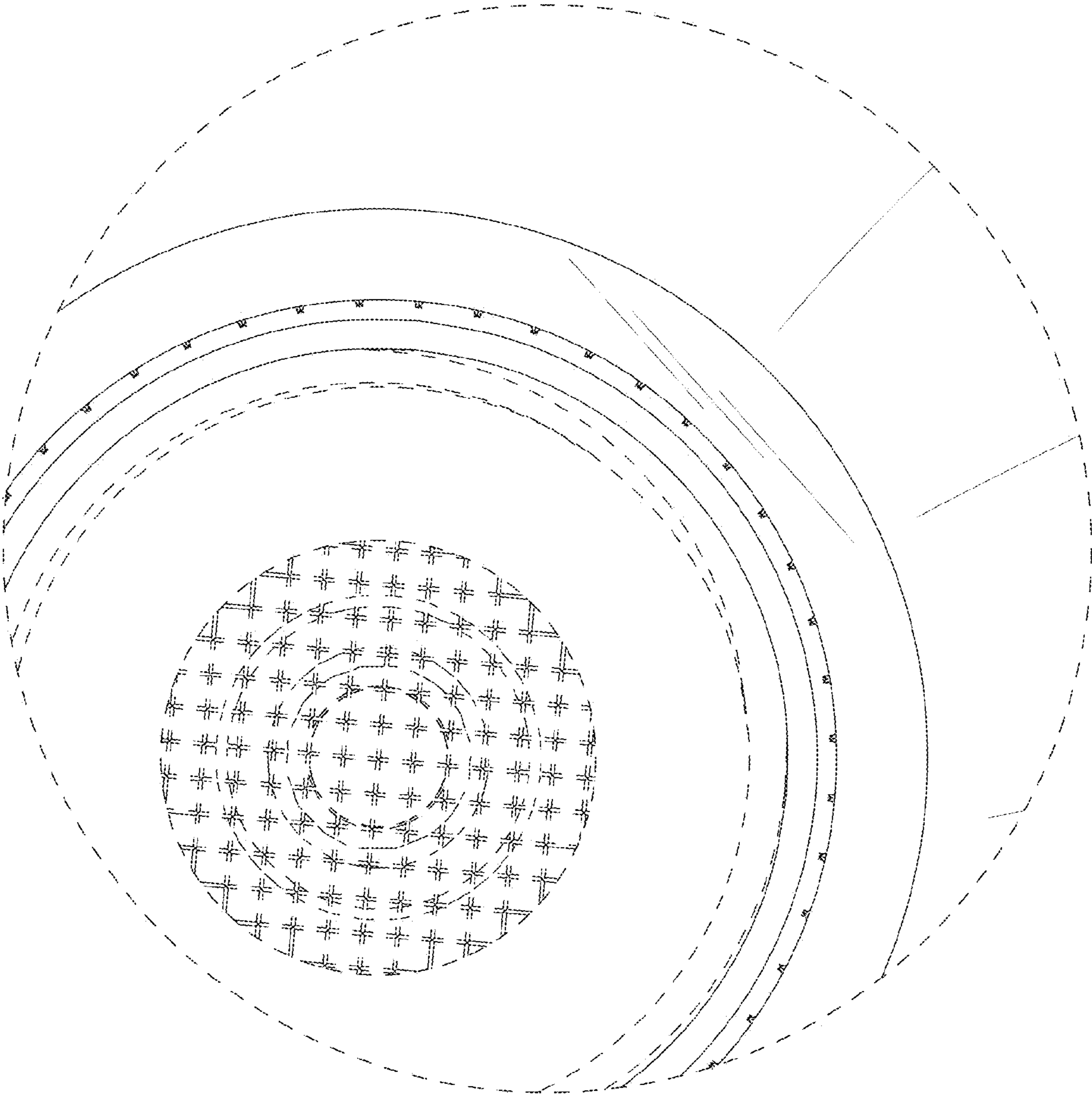


FIG.9

Fig. 10

