



US00D924354S

(12) **United States Design Patent**  
**Huang**

(10) **Patent No.:** **US D924,354 S**

(45) **Date of Patent:** **\*\* Jul. 6, 2021**

(54) **FILTER ELEMENT**

(71) Applicant: **Xiaoping Huang**, Zhongshan (CN)

(72) Inventor: **Xiaoping Huang**, Zhongshan (CN)

(\*\*) Term: **15 Years**

(21) Appl. No.: **29/733,030**

(22) Filed: **Apr. 29, 2020**

(30) **Foreign Application Priority Data**

Mar. 10, 2020 (CN) ..... 202030077186.7

(51) **LOC (13) Cl.** ..... **23-01**

(52) **U.S. Cl.**  
USPC ..... **D23/209**

(58) **Field of Classification Search**  
USPC ..... D23/209, 235, 341, 358, 363-365;  
D15/5

CPC .... B01D 46/0002; B01D 46/10; F02M 35/04;  
F02M 35/10; F02M 35/024  
See application file for complete search history.

(56) **References Cited**

**U.S. PATENT DOCUMENTS**

- 3,912,633 A \* 10/1975 Delaney ..... B01D 35/16  
210/167.02
- 7,387,726 B2 \* 6/2008 Wolf ..... B01D 29/055  
210/232
- 8,216,463 B1 \* 7/2012 Baird ..... B01D 35/30  
210/232
- D795,995 S \* 8/2017 Zou ..... D23/209
- D795,997 S \* 8/2017 Zou ..... D23/209
- D810,859 S \* 2/2018 Lu ..... D23/209
- D847,944 S \* 5/2019 Zhibin ..... D23/209
- D847,945 S \* 5/2019 Zhibin ..... B01D 29/114  
D23/209
- D847,946 S \* 5/2019 Zhibin ..... D23/209

- D852,929 S \* 7/2019 Nelson ..... D23/209
- D858,691 S \* 9/2019 Zou ..... D23/209
- D894,335 S \* 8/2020 Huaping ..... D23/209
- D917,661 S \* 4/2021 Wei ..... D23/209
- D918,334 S \* 5/2021 Wei ..... D23/209

**OTHER PUBLICATIONS**

Waterspecialist MWF Refrigerator Water Filter, Apr. 14, 2018, Amazon.com May 8, 2021.URL: <https://www.amazon.com/dp/B078W7LQJY> (Year: 2018).\*

Pureplusfridgewaterfilter, Mar. 25, 2018, Amazon.com, May 12, 2021.URL: <https://www.amazon.com/PUREPLUS-Replacement-Refrigerator-197D6321P006-GSE25GSHECSS/dp/B01N7IGEJ> (Year: 2018).\*

Aqua Crest MWF Refrigerator Water Filter, Oct. 18, 2018, Amazon.com, May 12, 2021.URL: <https://www.amazon.co.uk/dp/B07JK9J35R/> (Year: 2018).\*

(Continued)

*Primary Examiner* — Jack Reickel  
*Assistant Examiner* — Keith J Wilson

(57) **CLAIM**

The ornamental design for a filter element, as shown and described.

**DESCRIPTION**

FIG. 1 is a front top perspective view of a new ornamental design for a filter element.

FIG. 2 is a left bottom perspective view thereof;

FIG. 3 is a front elevational view thereof;

FIG. 4 is a rear elevational view thereof;

FIG. 5 is a left side view thereof;

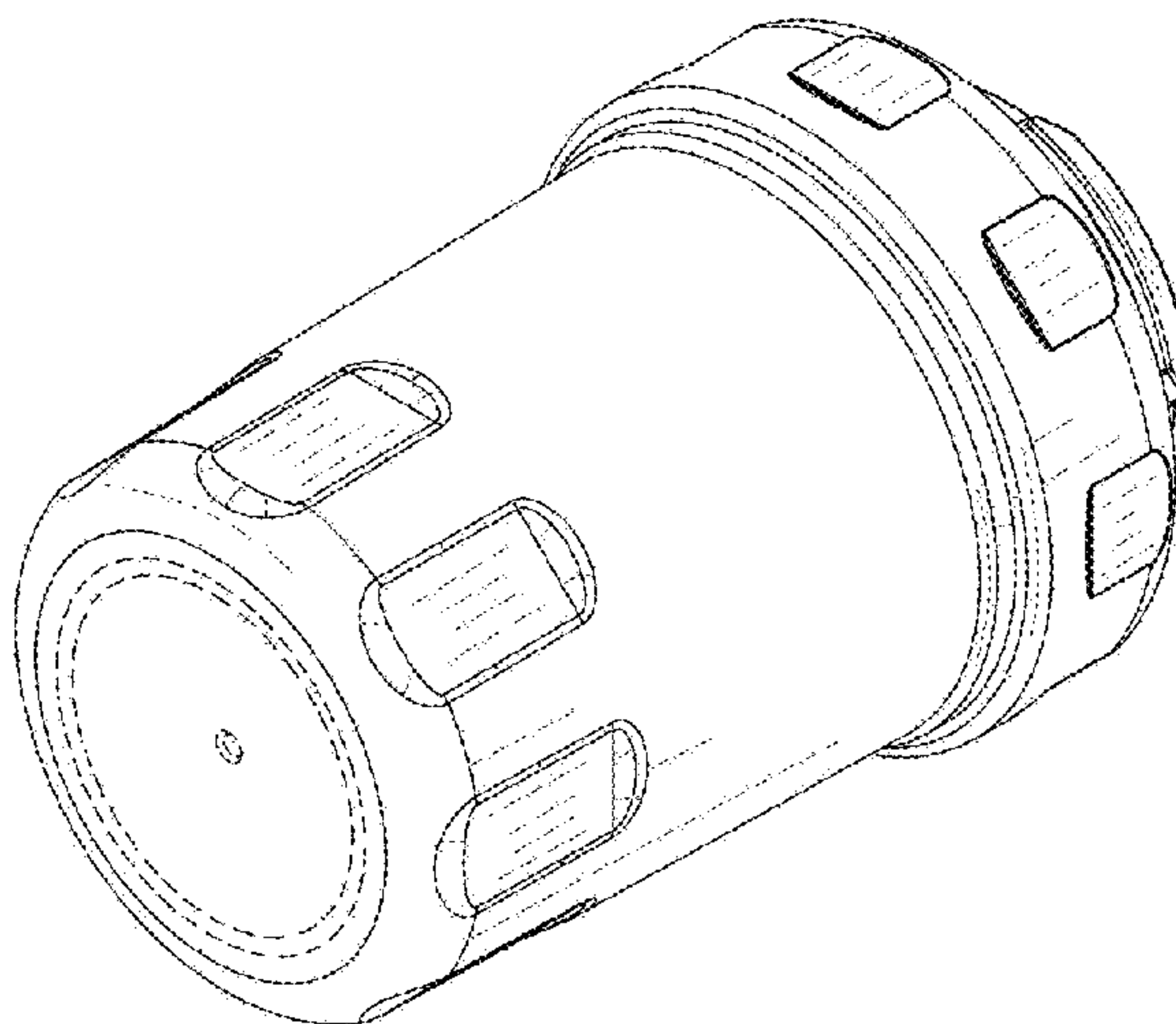
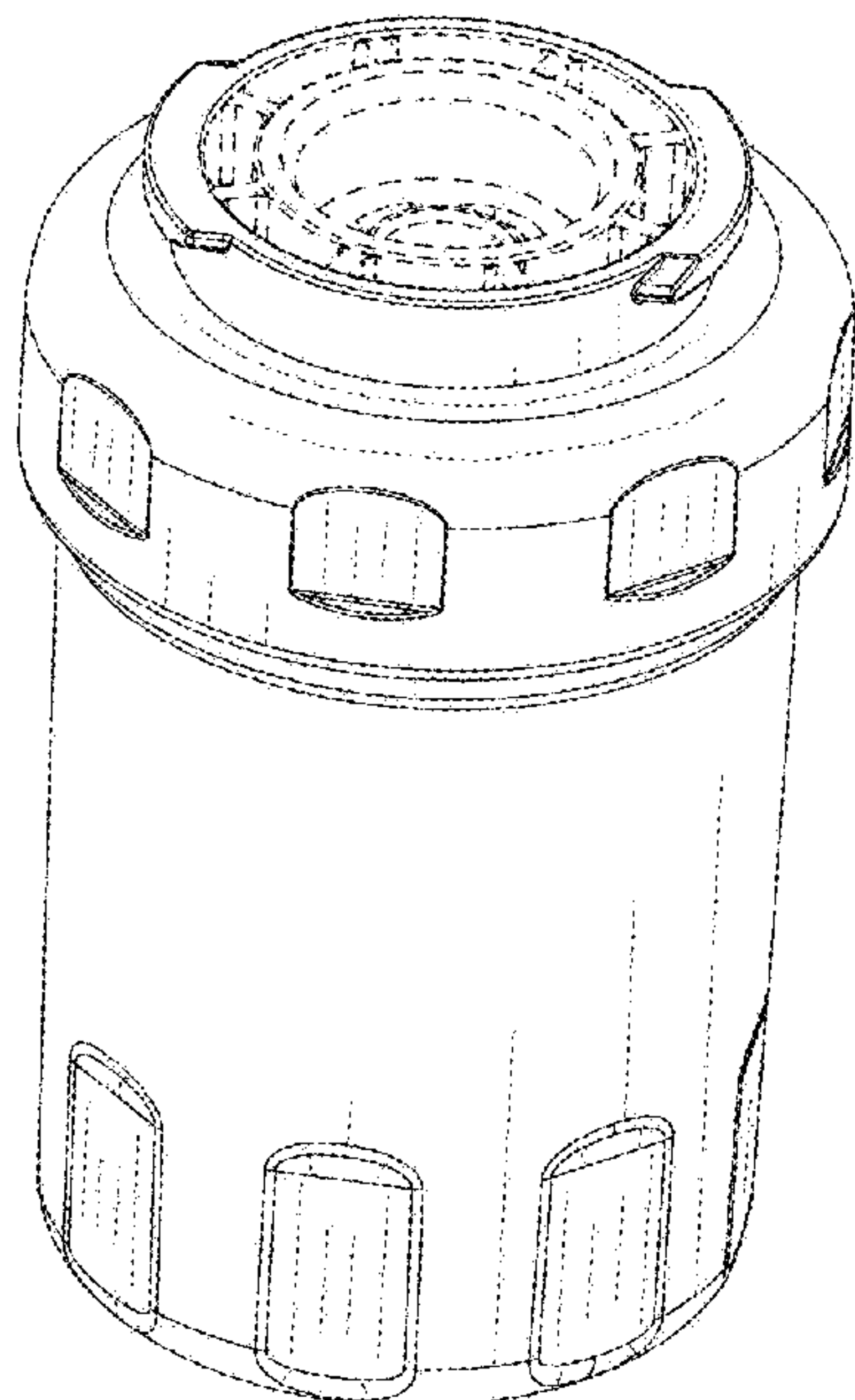
FIG. 6 is a right side view thereof;

FIG. 7 is a top plan view thereof; and,

FIG. 8 is a bottom plan view thereof.

The broken lines shown in the drawings depict portions of the filter element that form no part of the claimed design.

**1 Claim, 8 Drawing Sheets**



(56)

**References Cited**

OTHER PUBLICATIONS

Vyair VYR-13A Fridge Freezer Water Filter, Sep. 18, 2017, Amazon.com, May 12, 2021.URL <https://www.amazon.co.uk/dp/B075RXDHVV/> (Year: 2017).\*

EcoAqua EFF-6013A Ice & Water Refrigerator Filter, Feb. 1, 2013, Amazon.com, May 12, 2021.URL: <https://www.amazon.co.uk/dp/B00BWV12EE/> (Year: 2013).\*

\* cited by examiner

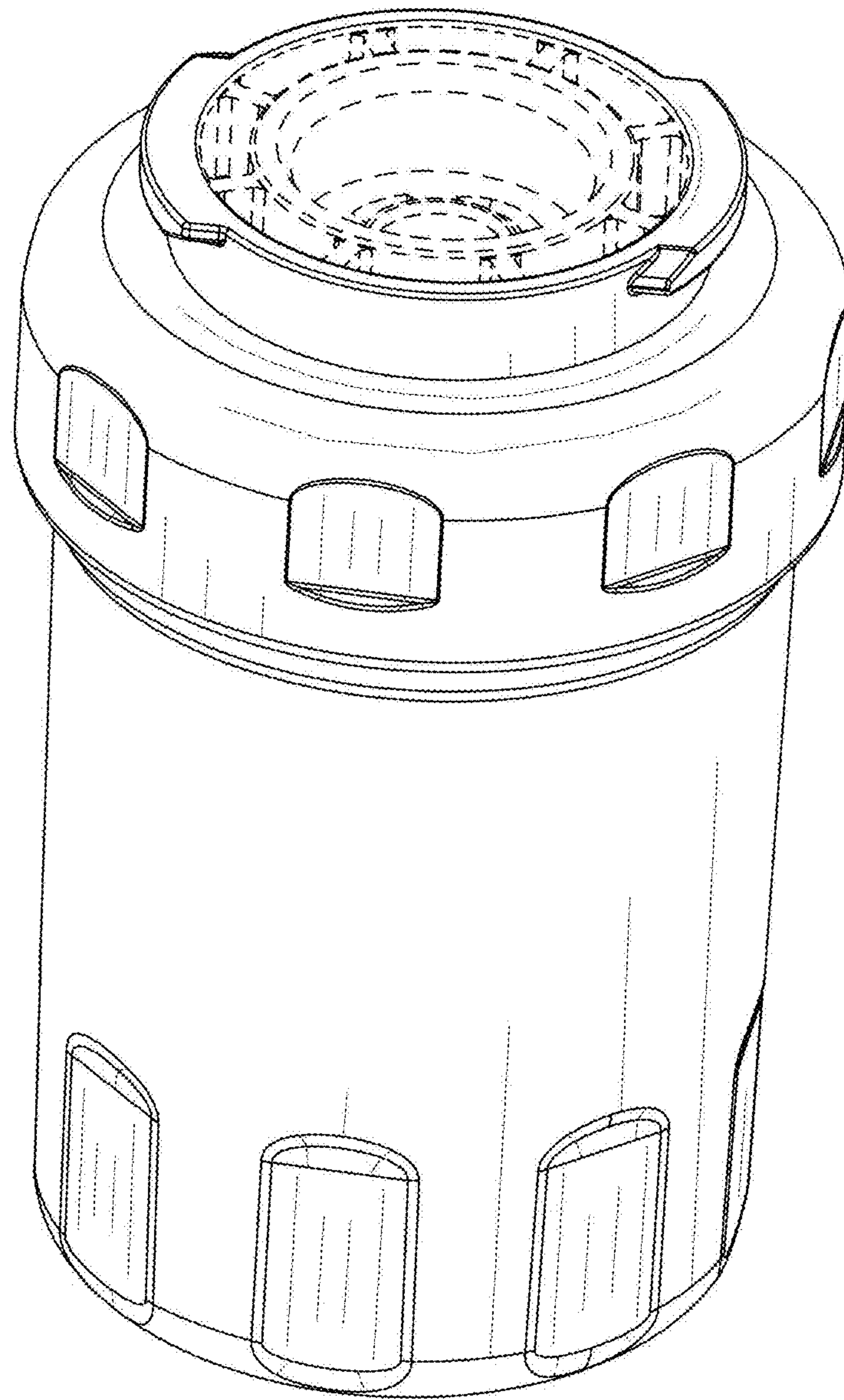


FIG.1

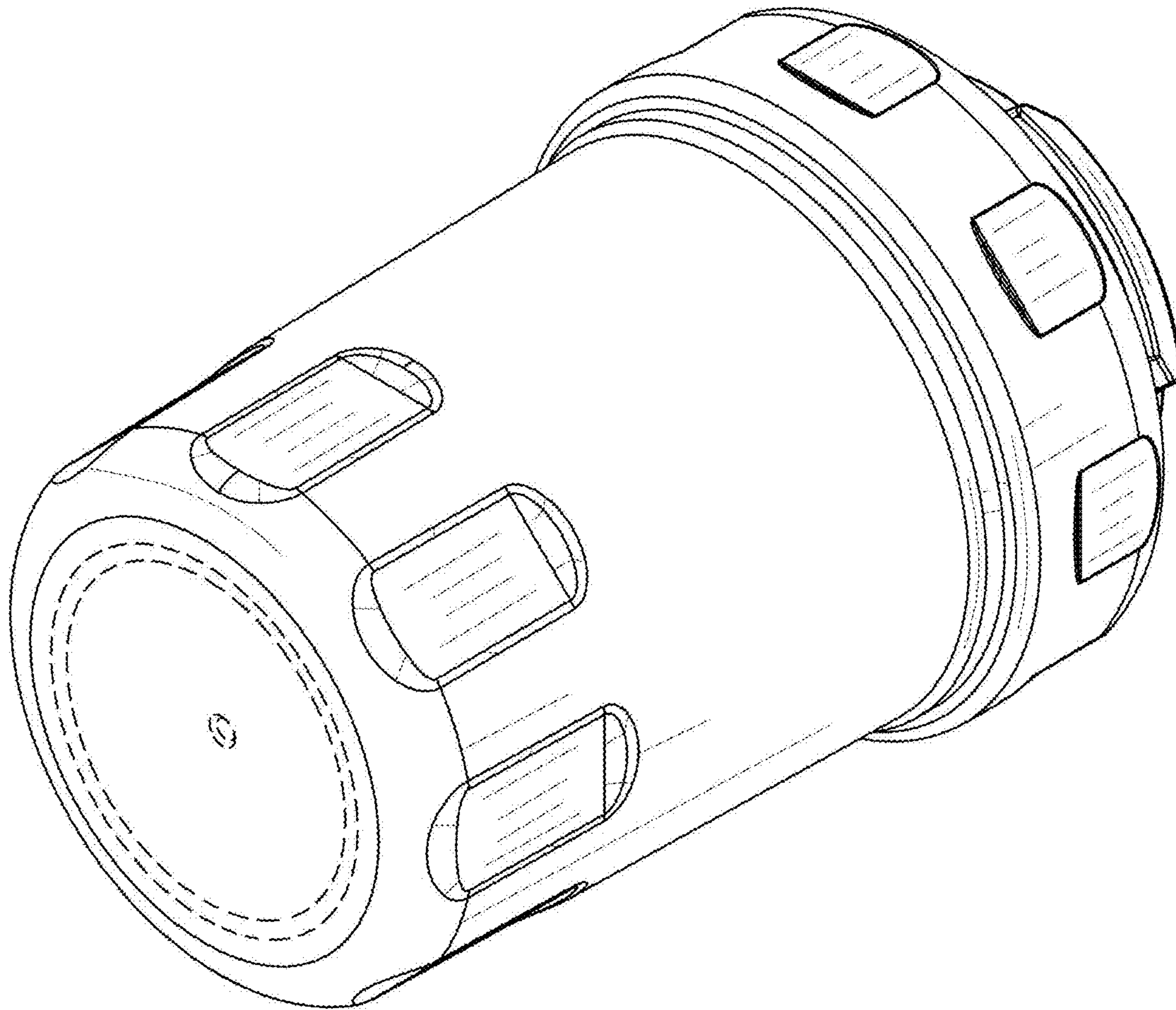


FIG.2



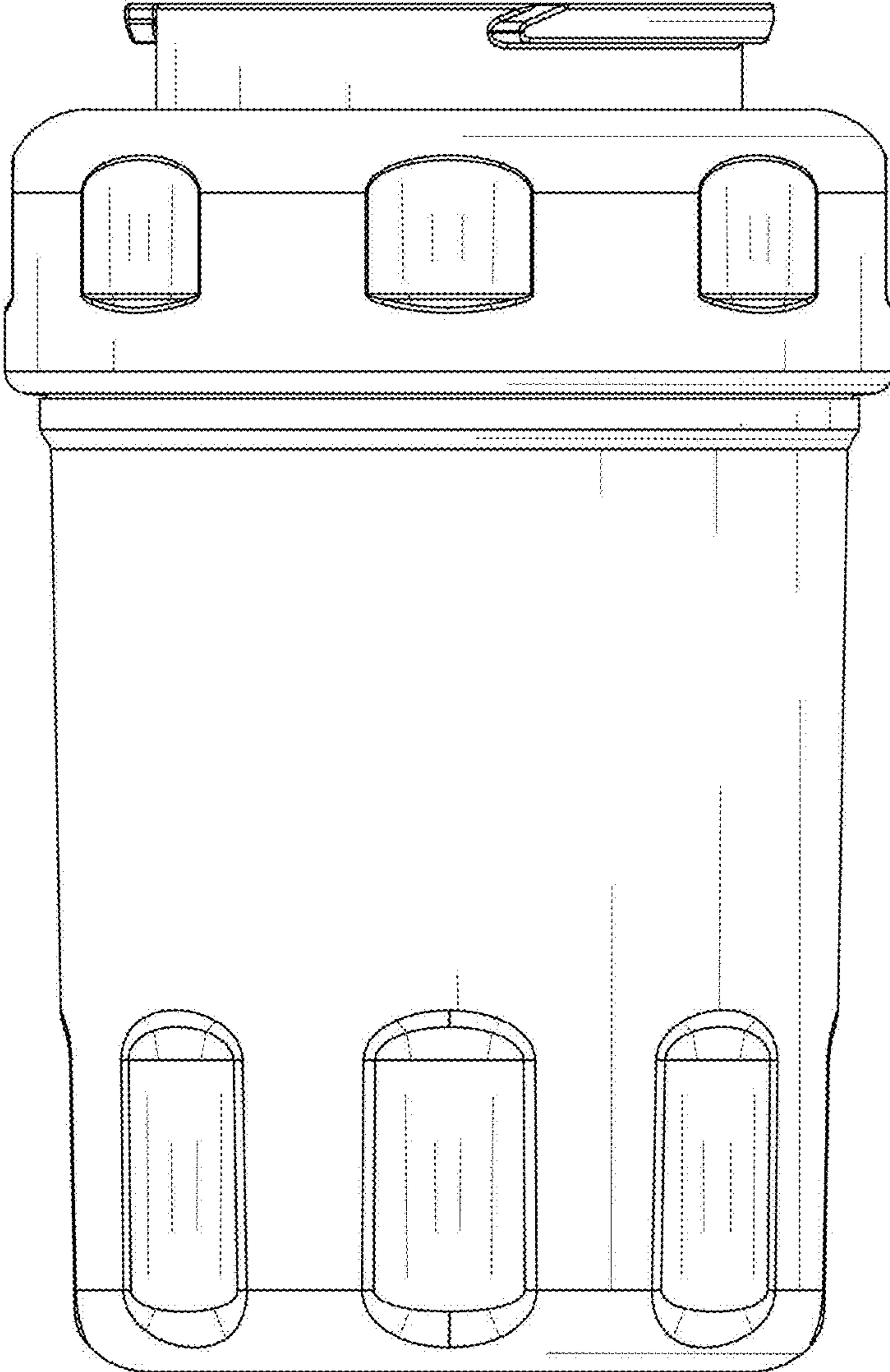


FIG.3

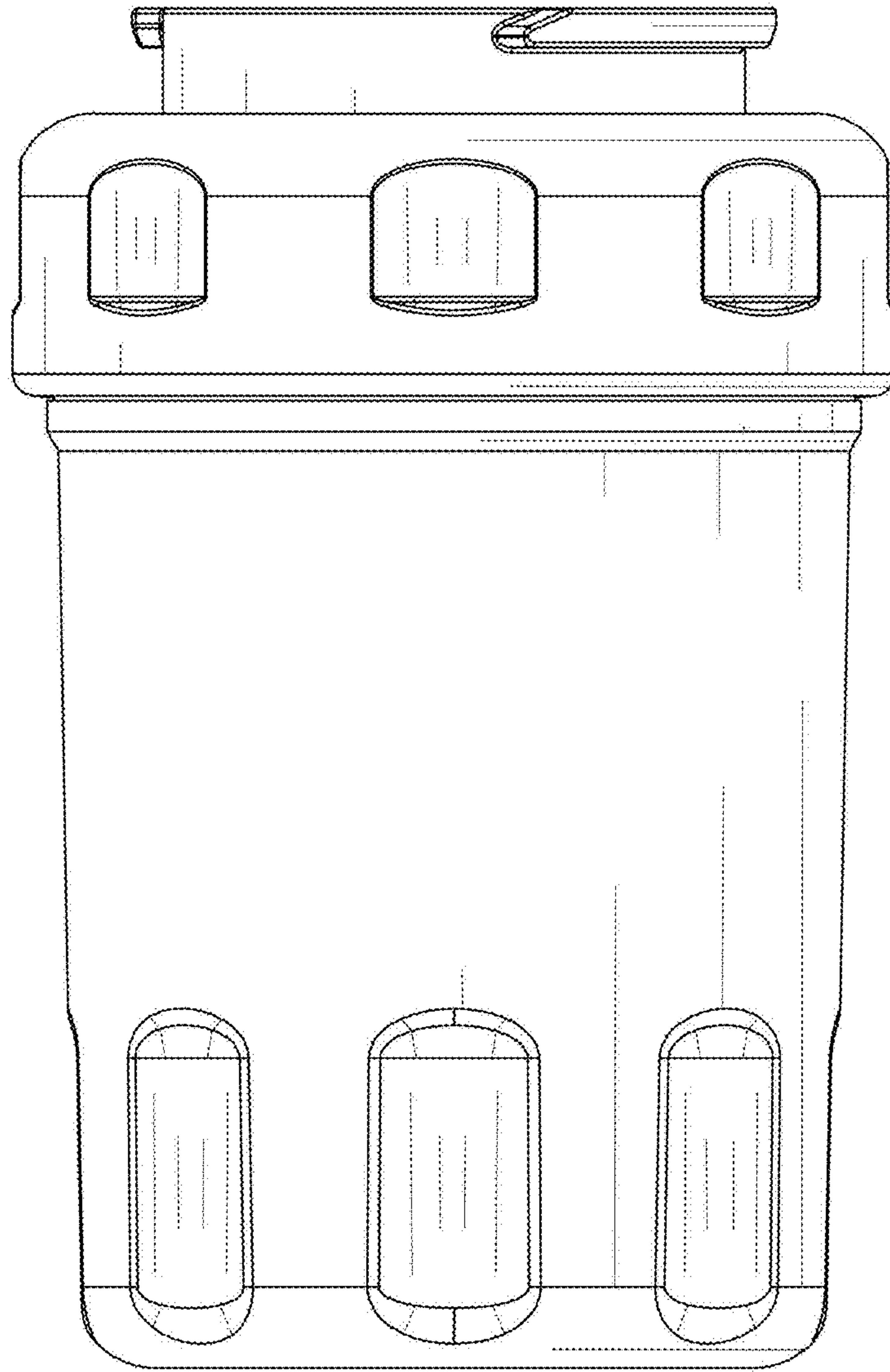


FIG.4

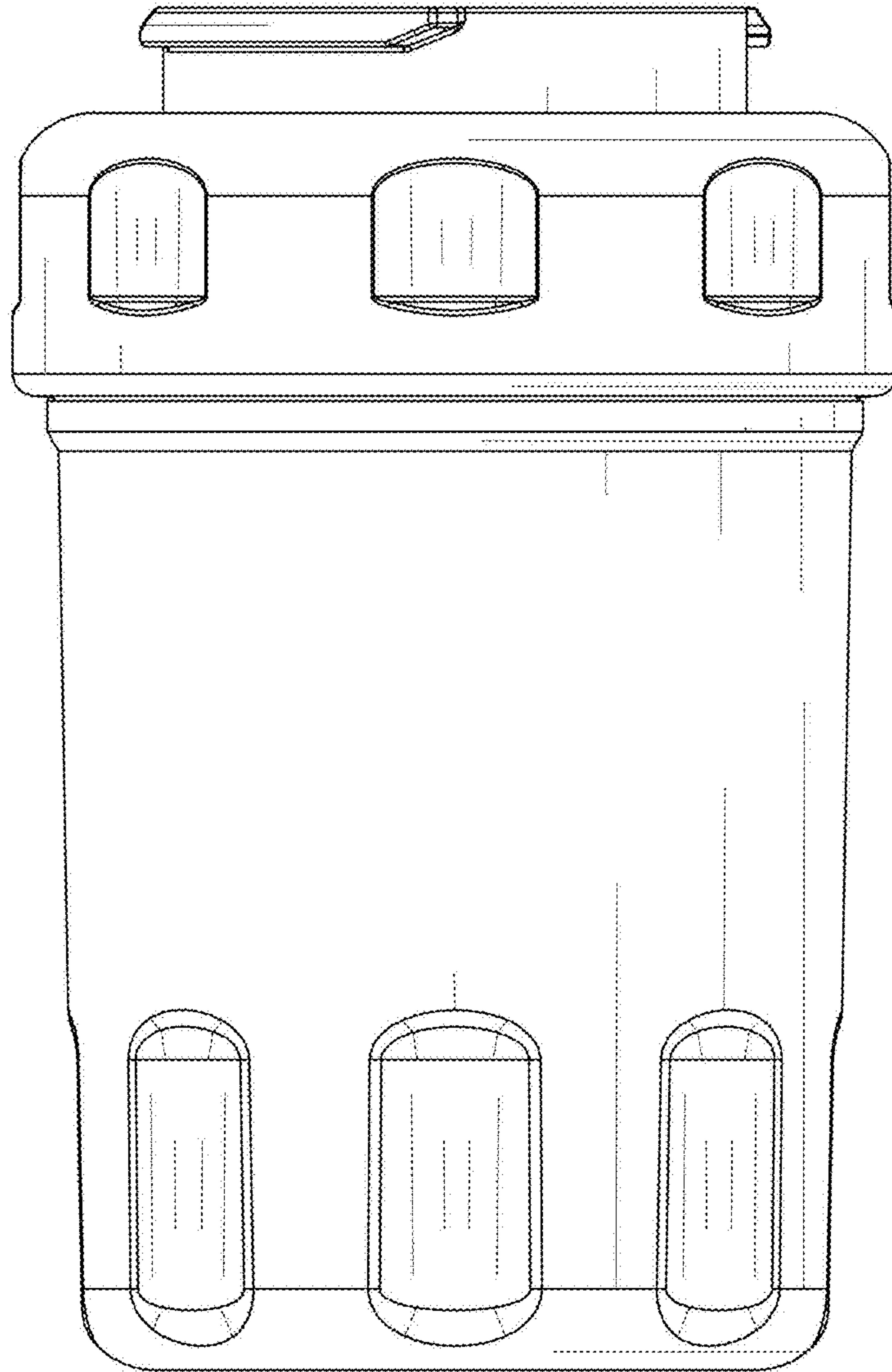


FIG.5

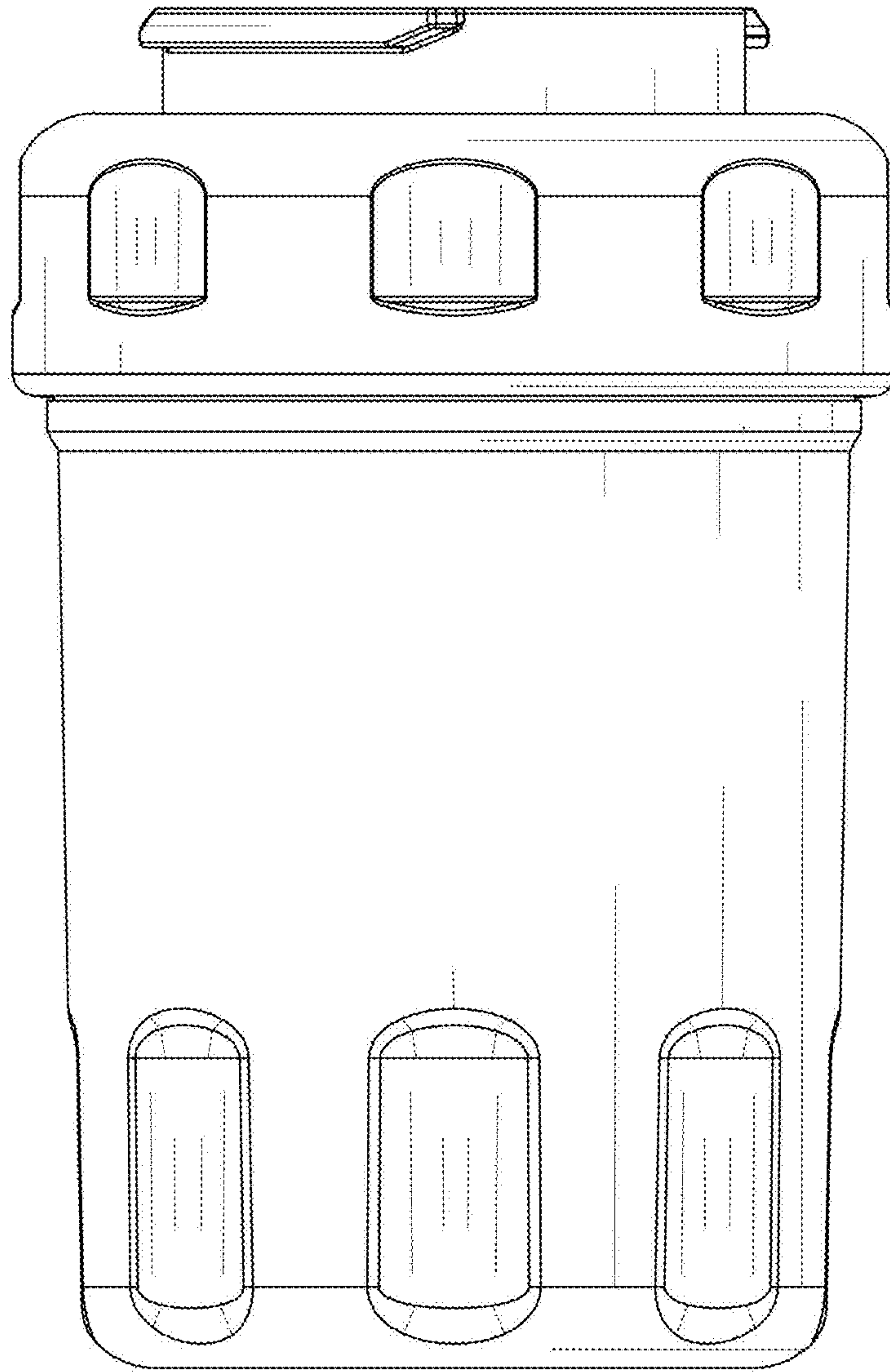


FIG.6



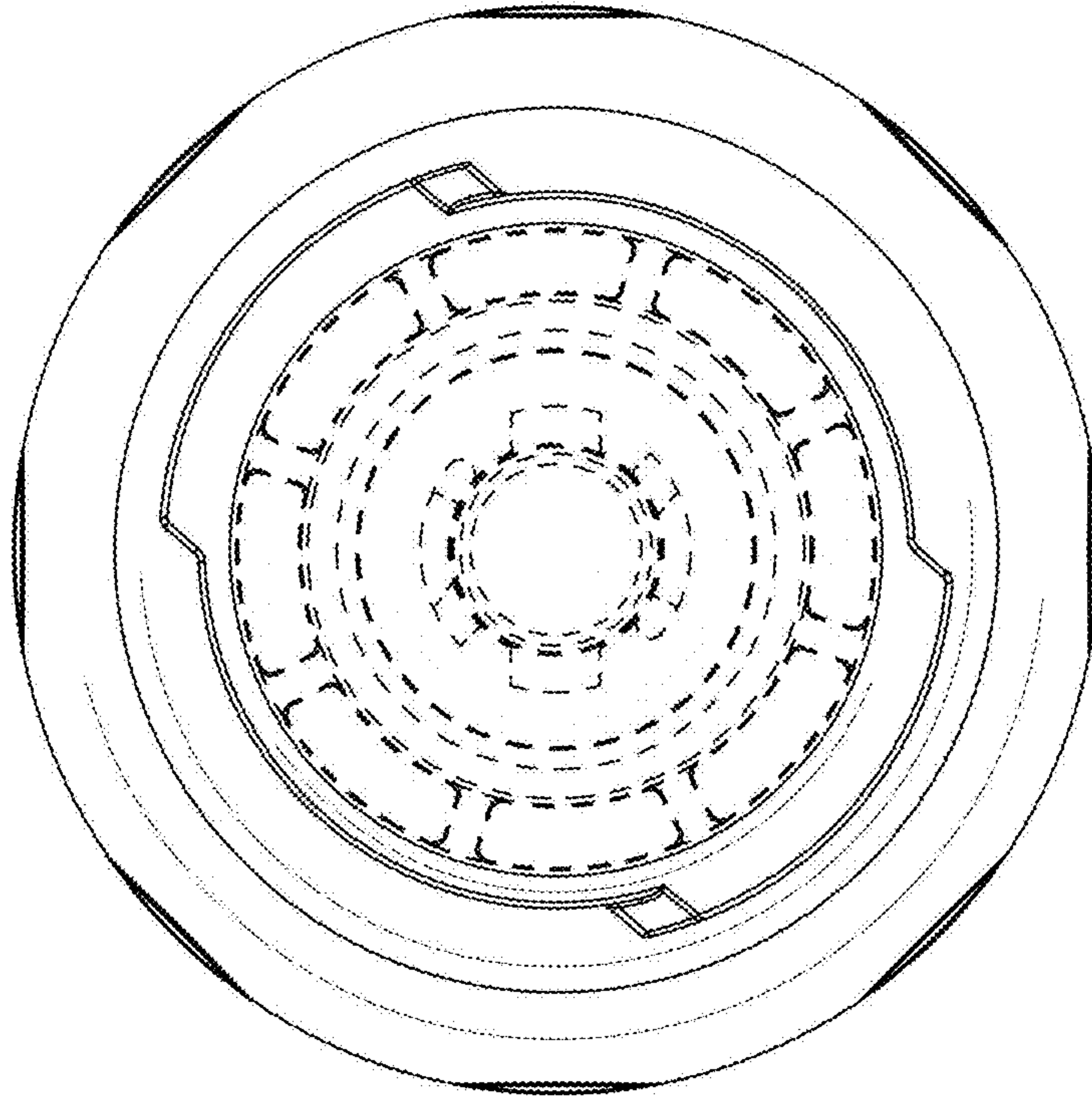


FIG. 7

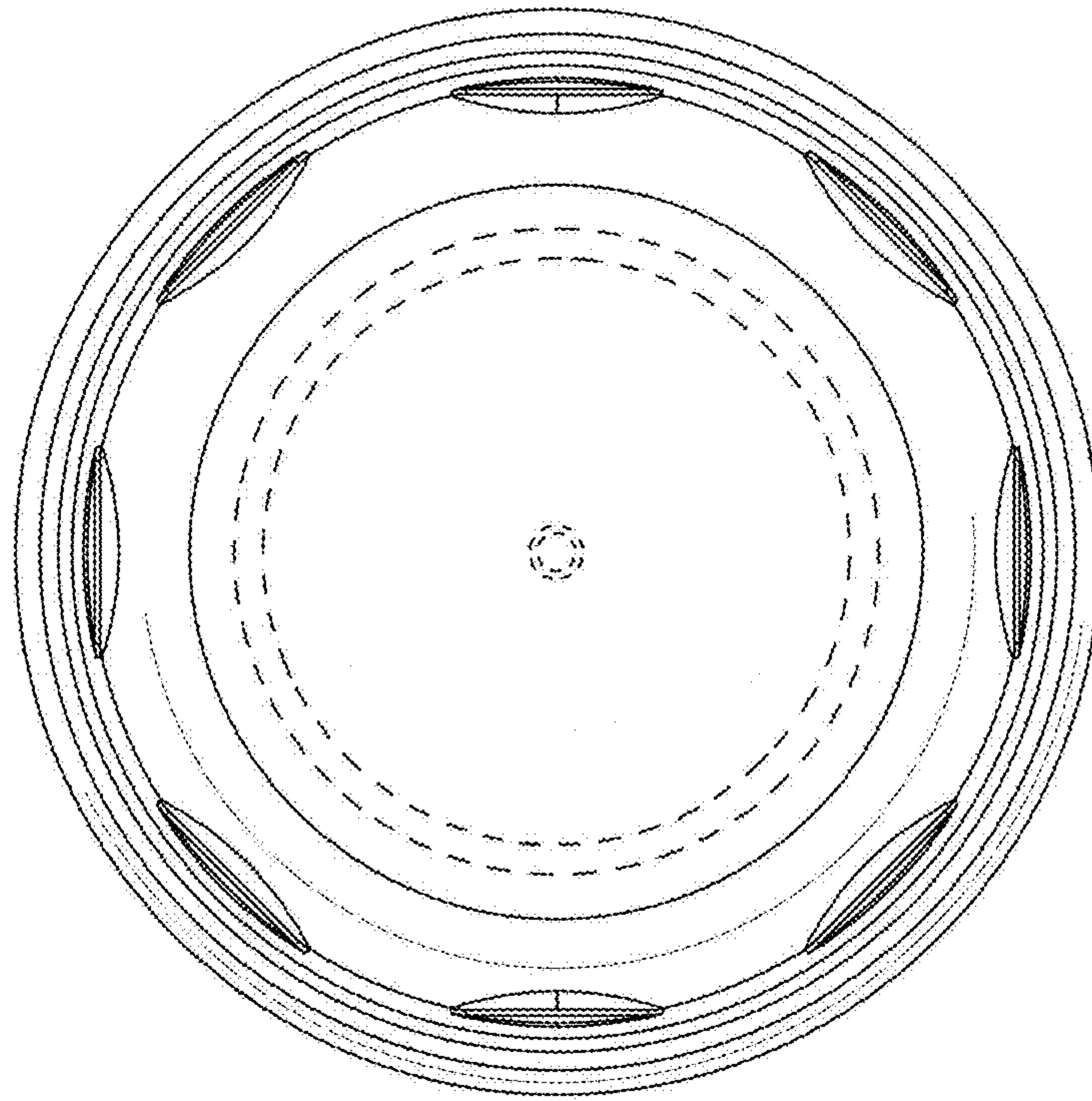


FIG.8