



US00D924352S

(12) **United States Design Patent** (10) **Patent No.:** **US D924,352 S**  
**Plihal** (45) **Date of Patent:** **\*\* Jul. 6, 2021**

(54) **FISHING LURE**  
(71) Applicant: **George Plihal**, Miami, FL (US)  
(72) Inventor: **George Plihal**, Miami, FL (US)  
(\*\*) Term: **15 Years**

D390,622 S 2/1998 Wicht  
D404,460 S 1/1999 Wicht  
6,357,167 B1 3/2002 Bradford  
8,402,687 B1 3/2013 Jarell  
8,484,884 B2 7/2013 Zuk  
D858,684 S 9/2019 Bianchi  
2006/0042147 A1 3/2006 Jenkins

(21) Appl. No.: **29/758,615**  
(22) Filed: **Nov. 17, 2020**

**FOREIGN PATENT DOCUMENTS**

WO WO 2016/007643 1/2016  
*Primary Examiner* — Catherine R Oliver-Garcia  
(74) *Attorney, Agent, or Firm* — Perkins Coie LLP

**Related U.S. Application Data**

(63) Continuation of application No. 29/701,101, filed on Aug. 8, 2019, now Pat. No. Des. 905,818.  
(51) **LOC (13) Cl.** ..... **22-05**  
(52) **U.S. Cl.**  
USPC ..... **D22/128**  
(58) **Field of Classification Search**  
USPC ..... D22/126–133, 144; 43/42.35, 42.36, 43/42.37, 42.24, 42.45, 42.48, 42.31, 43/44.9, 42.09, 44.81, 44.95, 42.28  
CPC ..... A01K 85/00; A01K 85/02; A01K 95/10  
See application file for complete search history.

(57) **CLAIM**

The ornamental design for a fishing lure, as shown and described.

**DESCRIPTION**

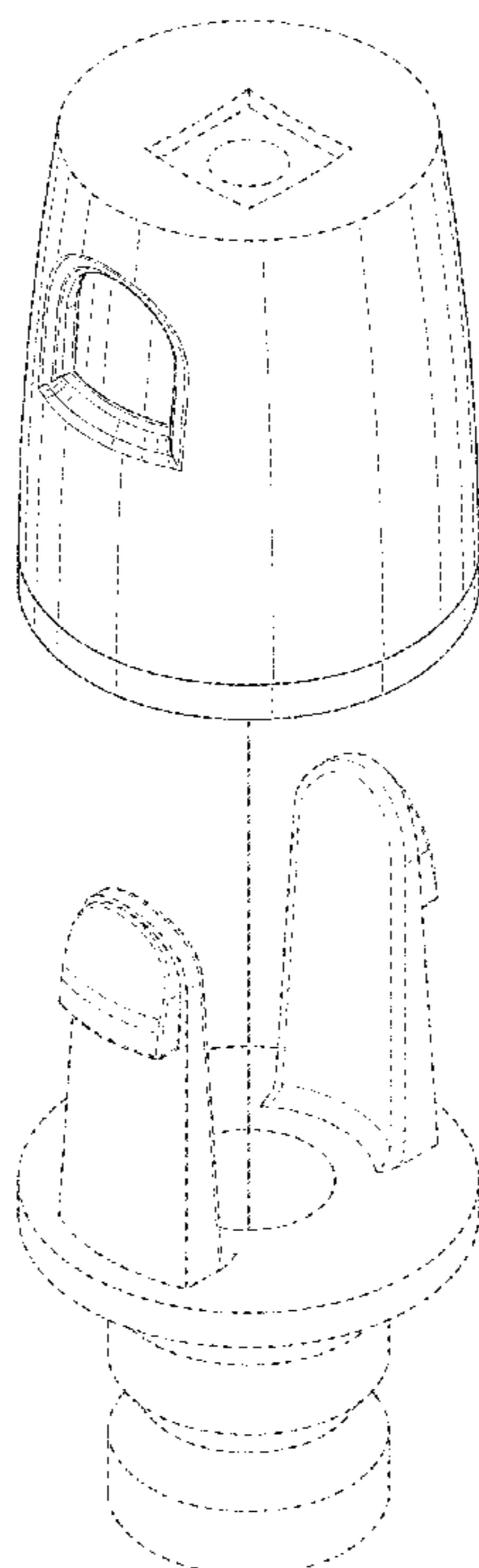
FIG. 1 is a perspective view of a fishing lure with male and female members in an unconnected condition, showing my new design;  
FIG. 2 is a left side view thereof;  
FIG. 3 is a right side view thereof;  
FIG. 4 is front view thereof;  
FIG. 5 is a rear view thereof;  
FIG. 6 is a top view thereof; and,  
FIG. 7 is bottom view thereof.  
The features shown in broken lines are included for the purpose of illustrating portions of the article and form no part of the claimed design.

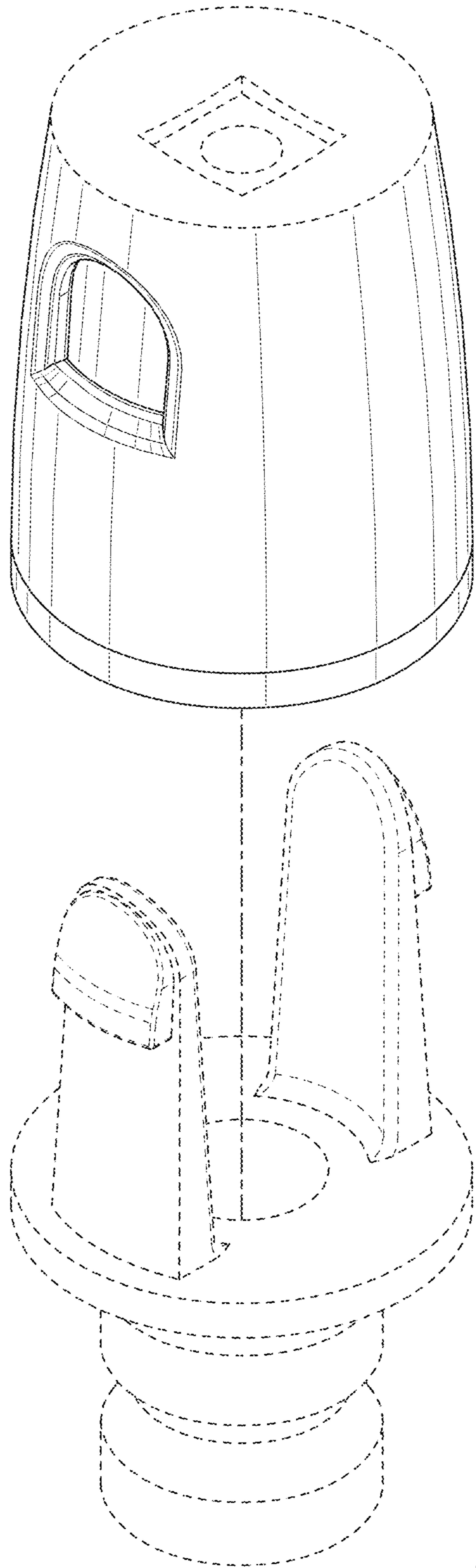
(56) **References Cited**

**U.S. PATENT DOCUMENTS**

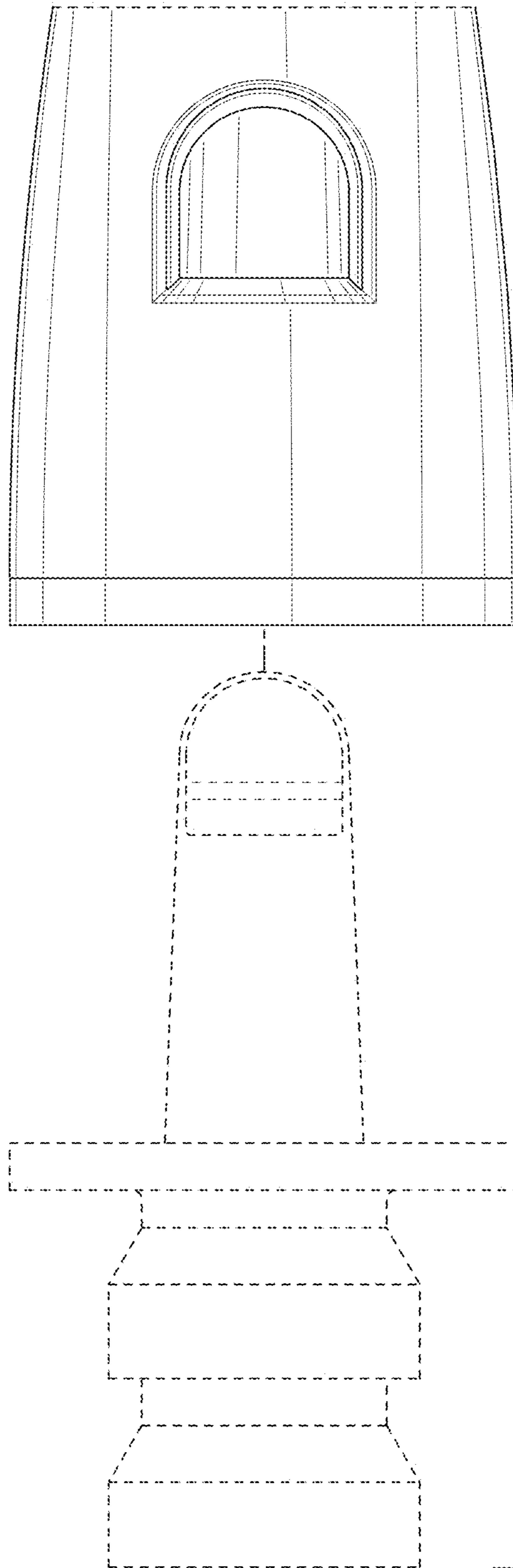
1,948,983 A 2/1934 Danielczuk  
2,546,772 A 3/1951 Neff  
3,017,307 A 1/1962 Halliburton  
D300,344 S 3/1989 Boulette, III et al.  
5,261,181 A 11/1993 Melton  
5,369,906 A 12/1994 Anterni  
5,490,345 A 2/1996 Infinger  
D377,824 S 2/1997 McKeral, Jr.

**1 Claim, 7 Drawing Sheets**

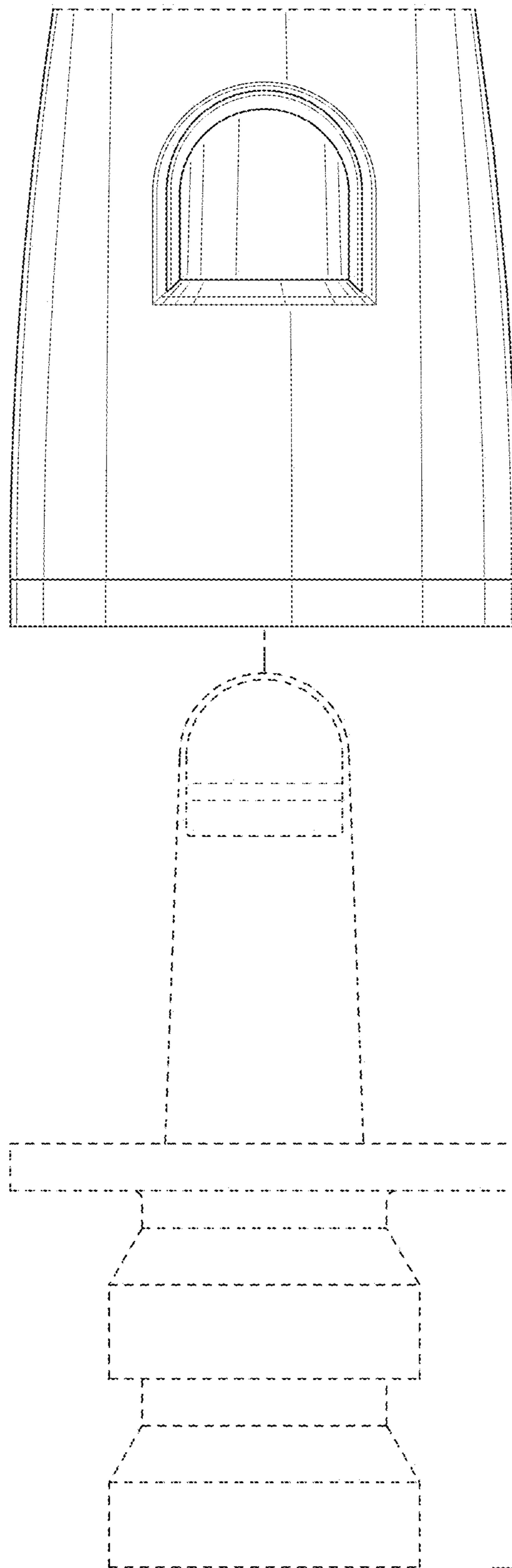




*Fig. 1*



*Fig. 2*



*Fig. 3*

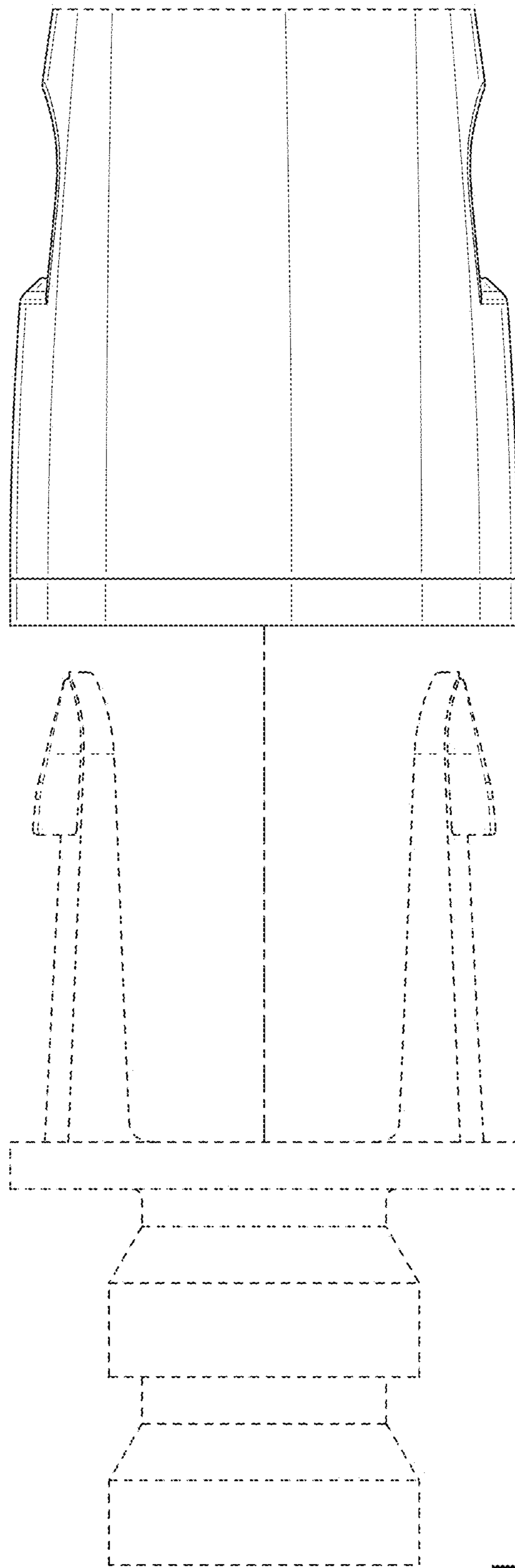


Fig. 4

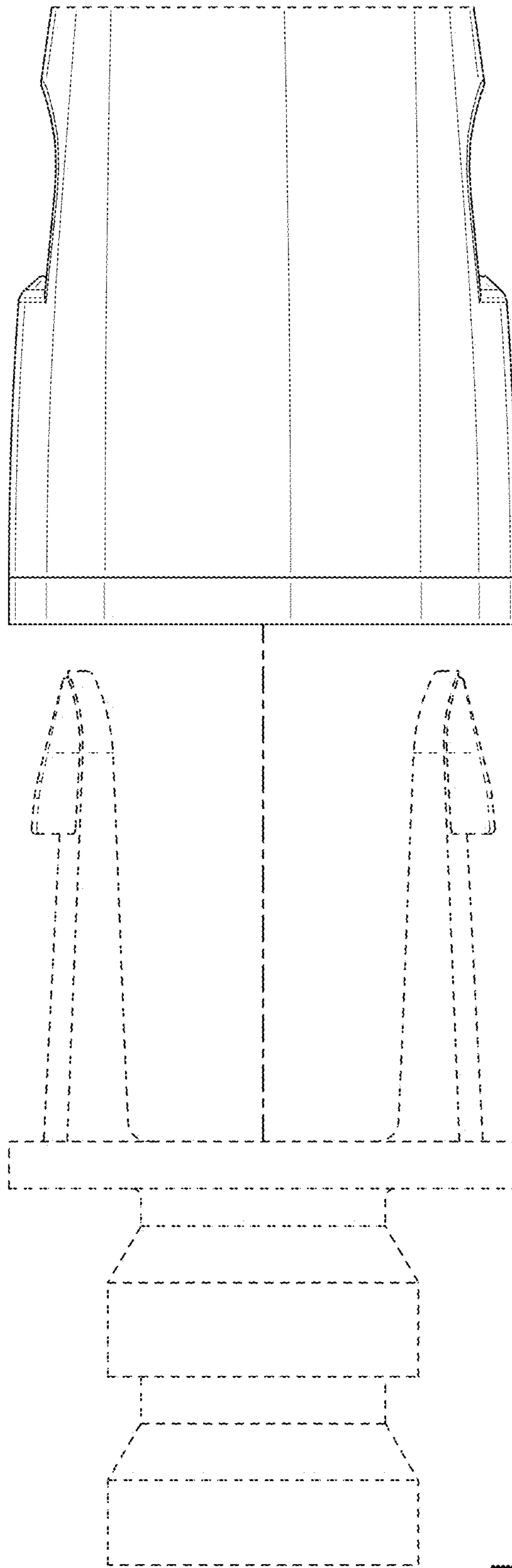
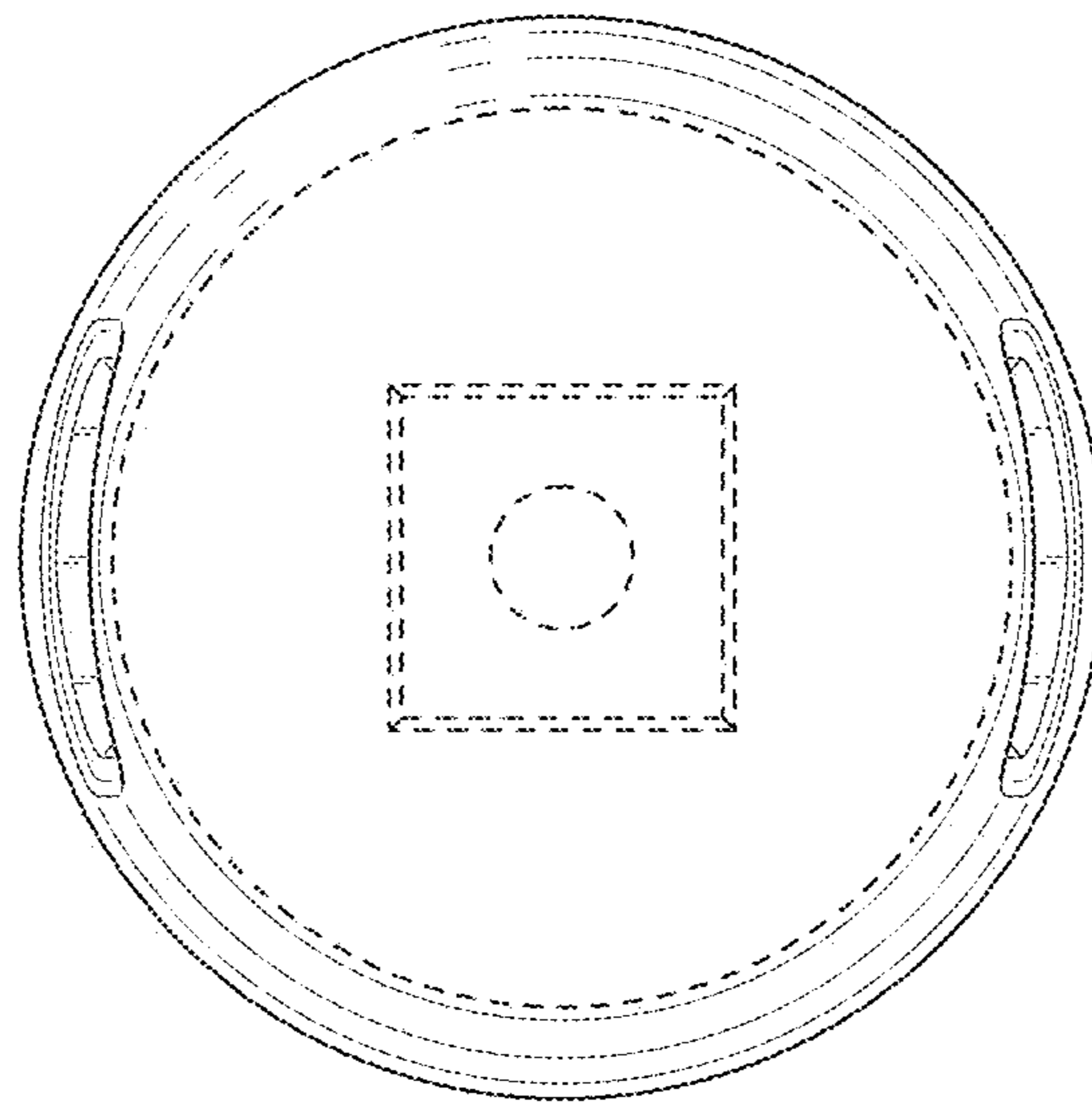
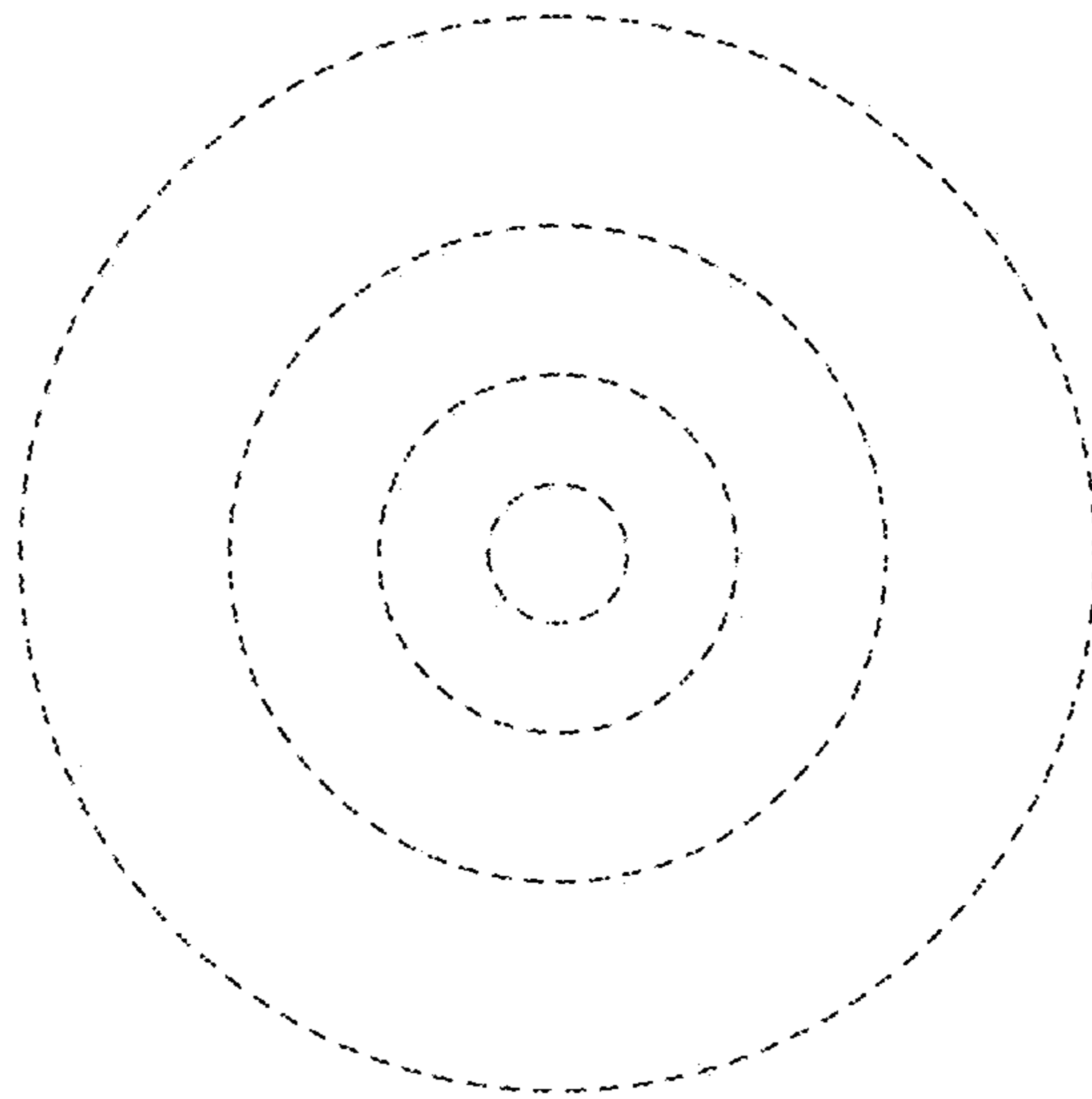


Fig. 5



*Fig. 6*



*Fig. 7*