

US00D924350S

(12) **United States Design Patent** (10) **Patent No.:** **US D924,350 S**
Golz (45) **Date of Patent:** **** Jul. 6, 2021**

(54) **SHOCK ABSORBING DEVICE**
(71) Applicant: **Werner Beiter GmbH & Co. KG**,
Dauchingen (DE)
(72) Inventor: **Dominic Golz**, Dauchingen (DE)
(73) Assignee: **Werner Beiter GmbH & Co. KG**,
Dauchingen (DE)
(**) Term: **15 Years**
(21) Appl. No.: **29/690,984**
(22) Filed: **May 13, 2019**
(30) **Foreign Application Priority Data**
Nov. 13, 2018 (EM) 005823432-0001
(51) **LOC (13) Cl.** **22-01**
(52) **U.S. Cl.**
USPC **D22/107**; D22/199
(58) **Field of Classification Search**
USPC D22/107, 111, 108, 199; D12/160, 167,
D12/172, 223, 415; D15/5
CPC F16F 13/10; F16F 26/30; F16F 26/106;
F16F 26/108; F16F 26/1481; F16F 15/00;
F16F 15/03; F16F 167/00; F41B 5/1403;
F41B 5/1442; F41B 5/1484
See application file for complete search history.

(56) **References Cited**
U.S. PATENT DOCUMENTS
D436,643 S * 1/2001 Sims D22/107
6,682,043 B1 * 1/2004 Hsieh H04R 1/083
248/618
8,038,131 B1 * 10/2011 Lin B60G 15/12
267/64.27
D682,971 S * 5/2013 Khoshnood D22/107
D692,976 S * 11/2013 Sims D22/107
D773,583 S * 12/2016 Bencik D22/107
D868,114 S * 11/2019 Rogers D15/5

D878,252 S * 3/2020 Carlini D12/160
2003/0226556 A1 * 12/2003 Leven F16F 7/108
124/89
2007/0079821 A1 * 4/2007 Walk F41B 5/066
124/86
2009/0133683 A1 * 5/2009 Wright F41B 5/1407
124/89

(Continued)

OTHER PUBLICATIONS

Beiter, Beiter V-Box, (site visited Dec. 10, 2020), Alternativess.com website, URL: <https://www.alternativess.com/archery/shop/Beiter_V_Box/BVBOX> (Year: 2020).*

(Continued)

Primary Examiner — Sheryl Lane
Assistant Examiner — Mark T. Philipps
(74) *Attorney, Agent, or Firm* — Akerman LLP; Peter A. Chiabotti

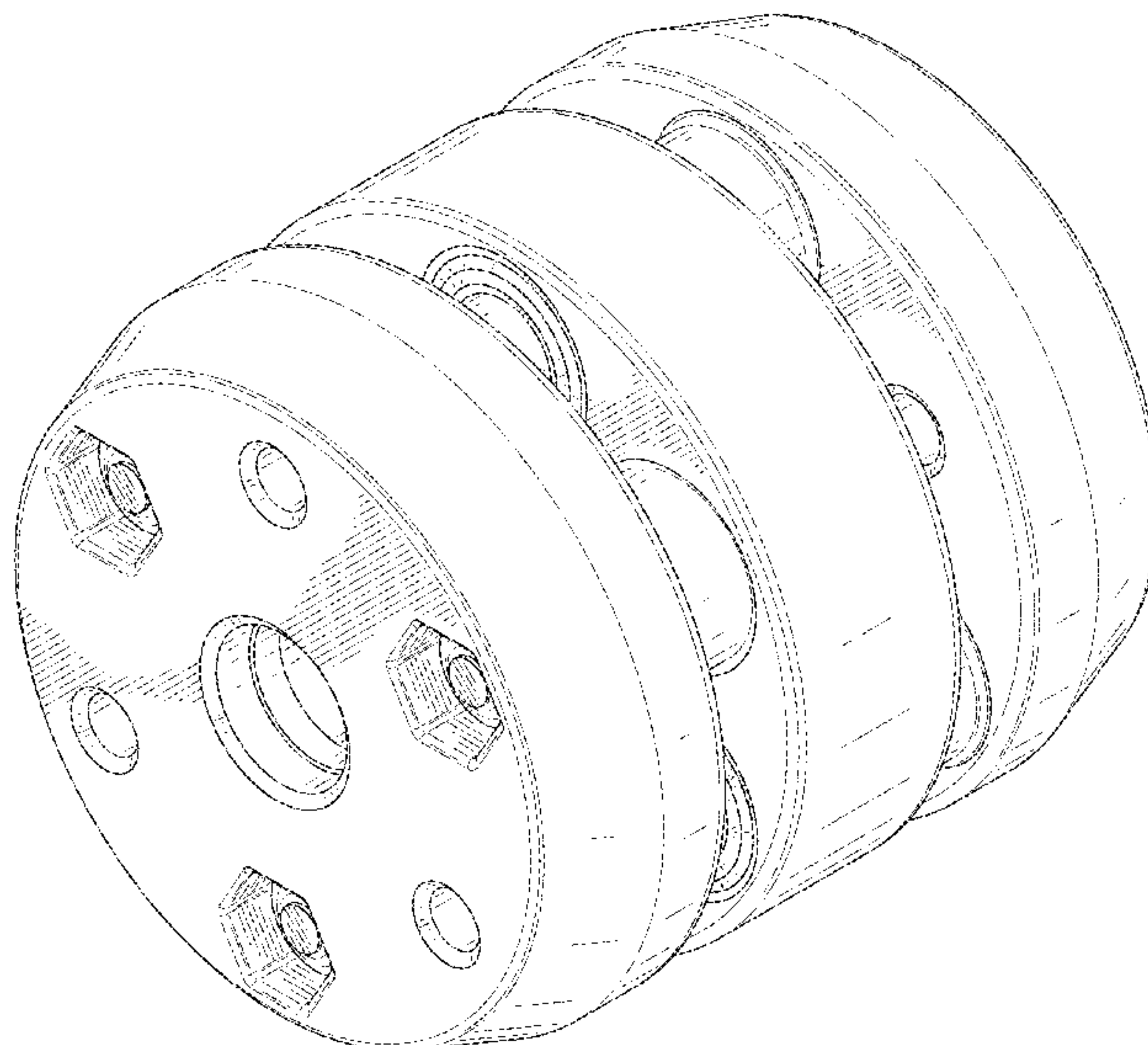
(57) **CLAIM**

The ornamental design for a shock absorbing device, as shown and described.

DESCRIPTION

FIG. 1 is a perspective view of the shock absorbing device showing my new design;
FIG. 2 is a front view thereof;
FIG. 3 is a rear view thereof;
FIG. 4 is a left side elevation view thereof;
FIG. 5 is a right side elevation view thereof;
FIG. 6 is a top plan view thereof;
FIG. 7 is a bottom plan view thereof;
FIG. 8 is another perspective view thereof;
FIG. 9 is perspective front view thereof;
FIG. 10 is perspective back view thereof;
FIG. 11 is perspective top view thereof; and,
FIG. 12 is a perspective bottom view.

1 Claim, 12 Drawing Sheets



(56)

References Cited

U.S. PATENT DOCUMENTS

2010/0164260 A1* 7/2010 Segato B62J 1/02
297/199
2011/0233016 A1* 9/2011 Lim B60R 19/34
188/374
2013/0306046 A1* 11/2013 Ady F41B 5/1411
124/25.6
2015/0197131 A1* 7/2015 Park B60G 15/04
267/195
2016/0076849 A1* 3/2016 Gold F41B 5/1403
124/23.1
2017/0030674 A1* 2/2017 Ell F41B 5/10
2018/0056771 A1* 3/2018 Jo F16F 9/066
2018/0106322 A1* 4/2018 Nakasone F16F 1/12
2018/0162211 A1* 6/2018 Kim F16F 13/10
2020/0182326 A1* 6/2020 Kim B60K 5/1208

OTHER PUBLICATIONS

@sherwoodshopfinland, "sherwoodshopfinland #beiterarchery #beitervbox #beiteroriginal", (uploaded Dec. 4, 2018) Instagram, URL:<<https://www.instagram.com/p/Bq-GP0EgGBu/>> (Year: 2018).*

* cited by examiner

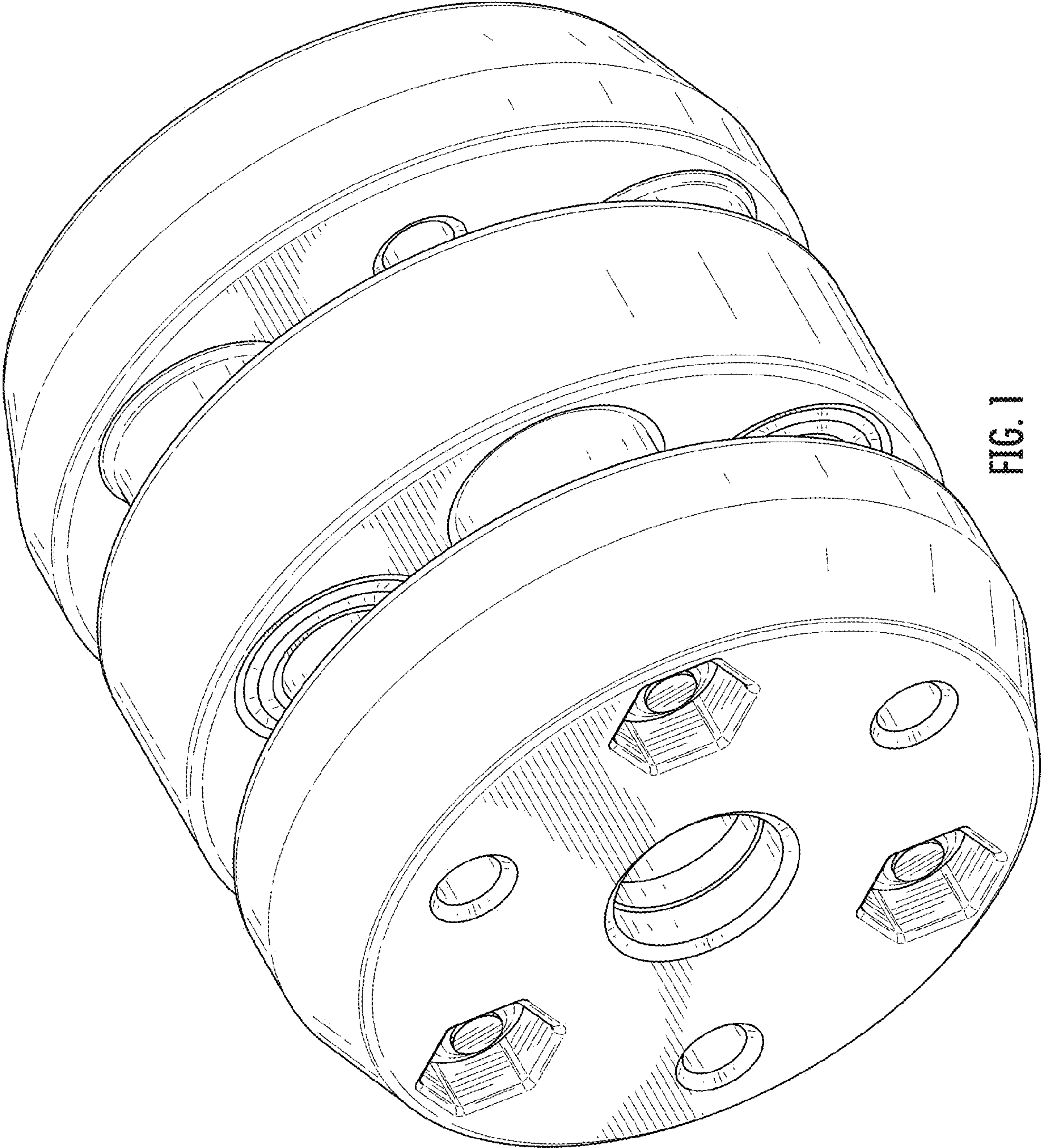


FIG. 1

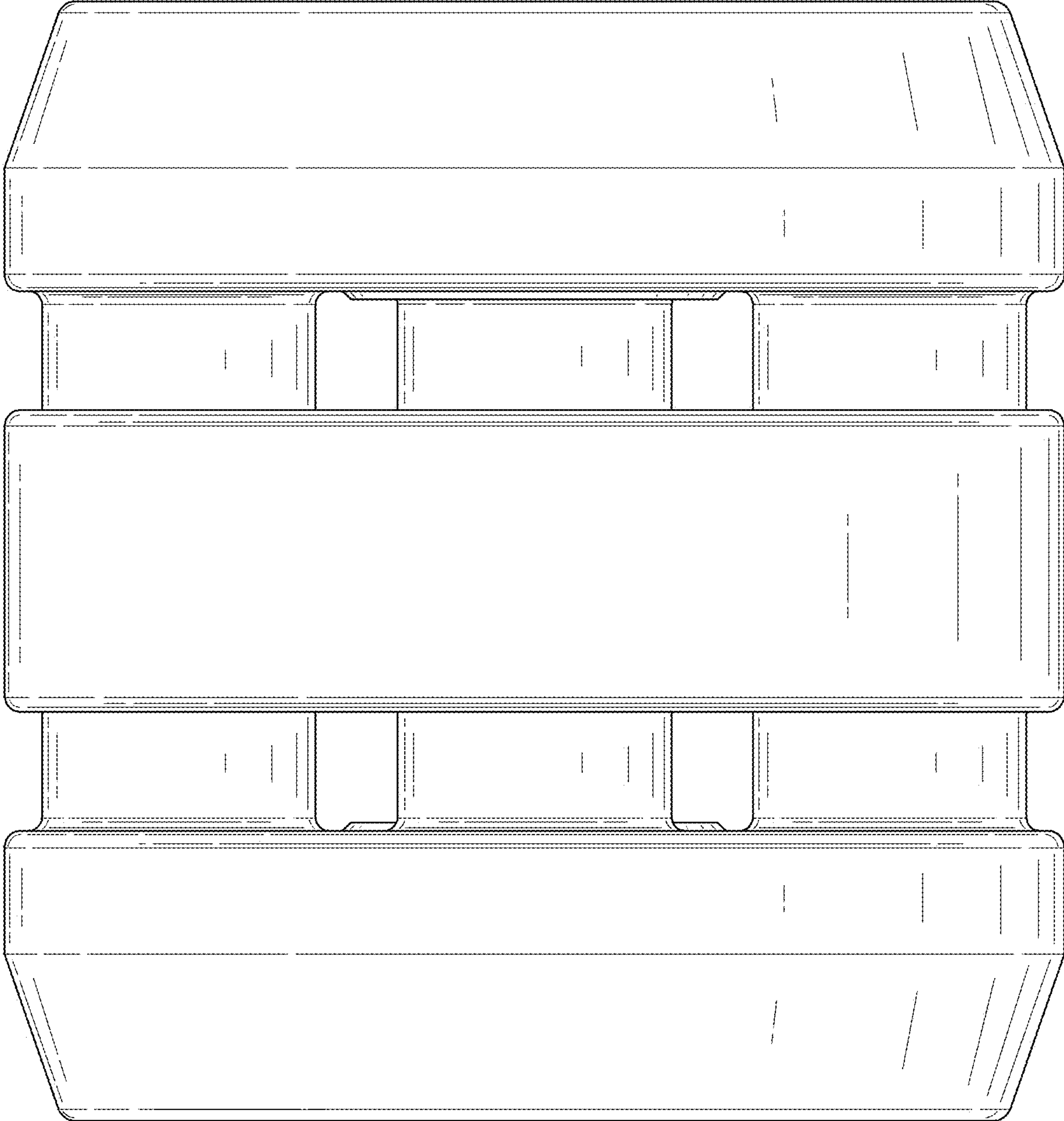


FIG. 2

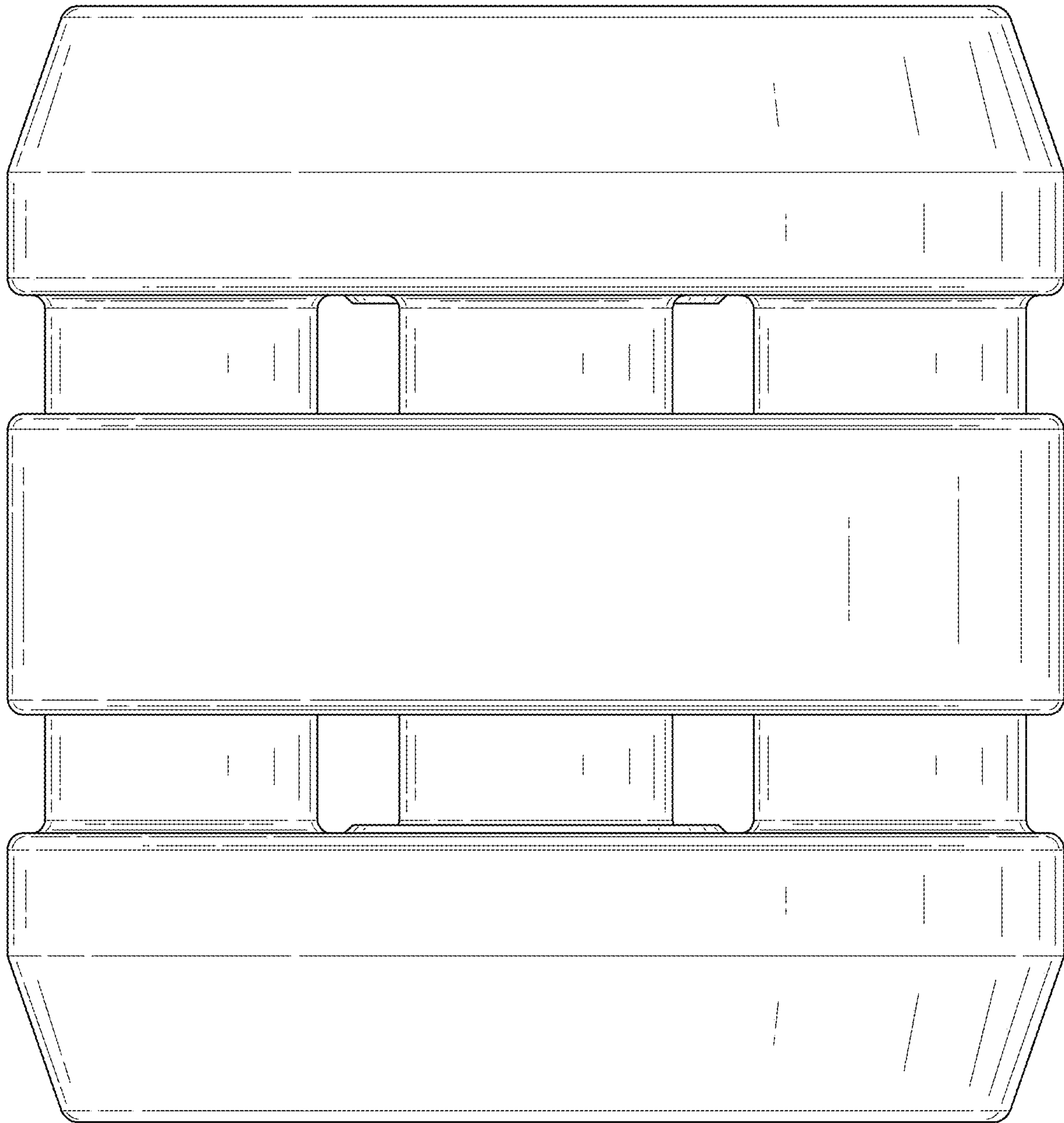


FIG. 3

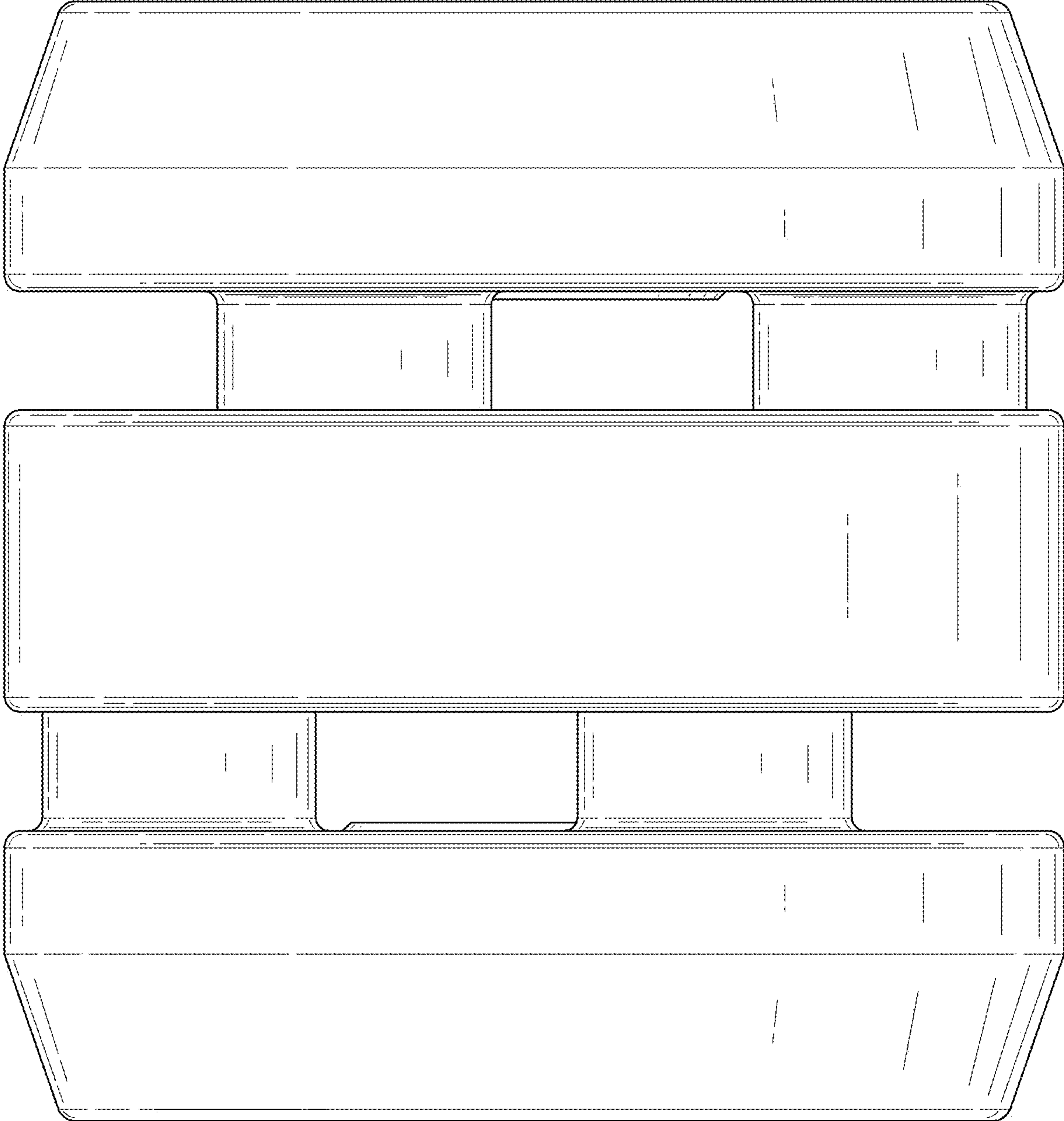


FIG. 4

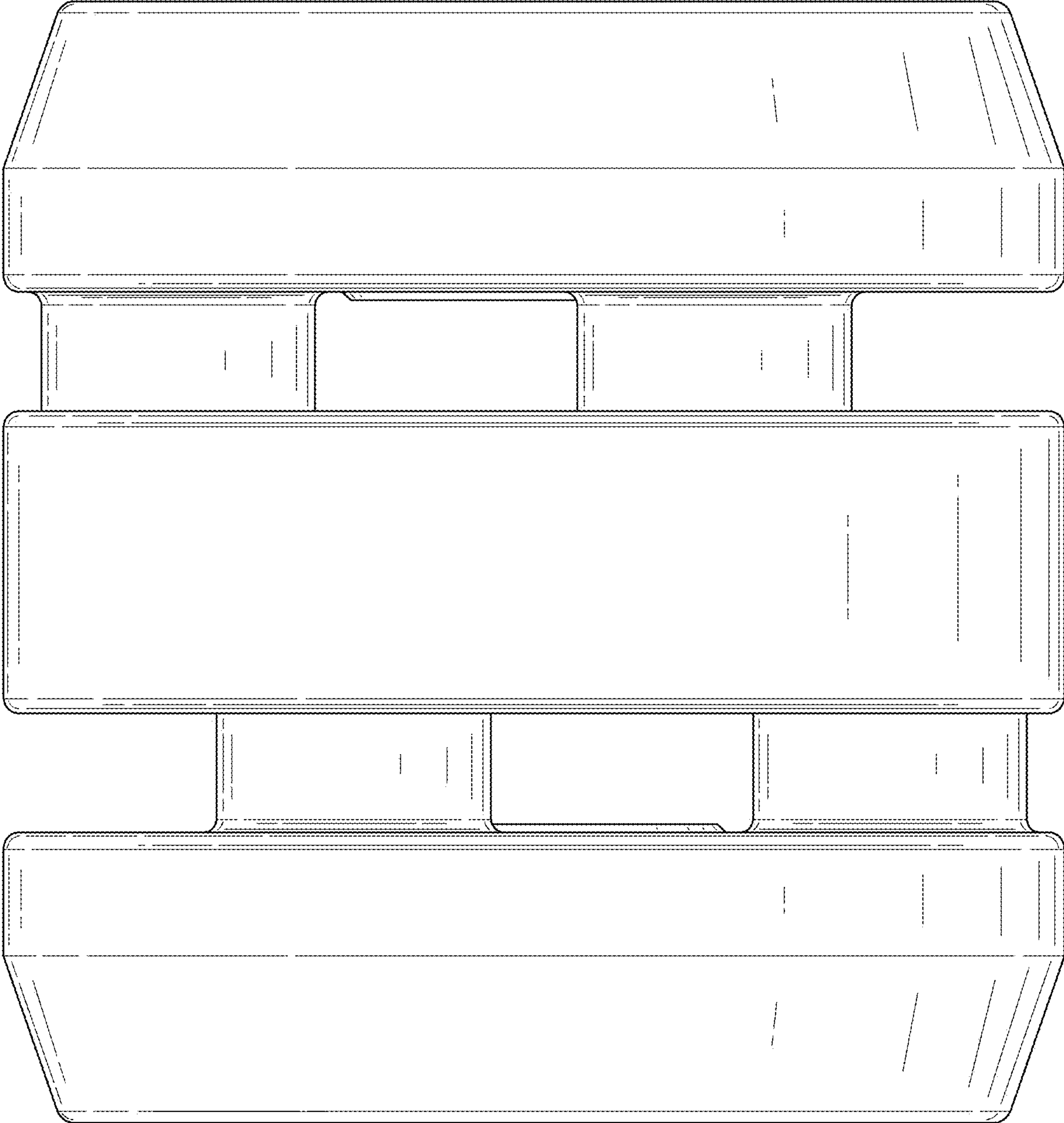


FIG. 5

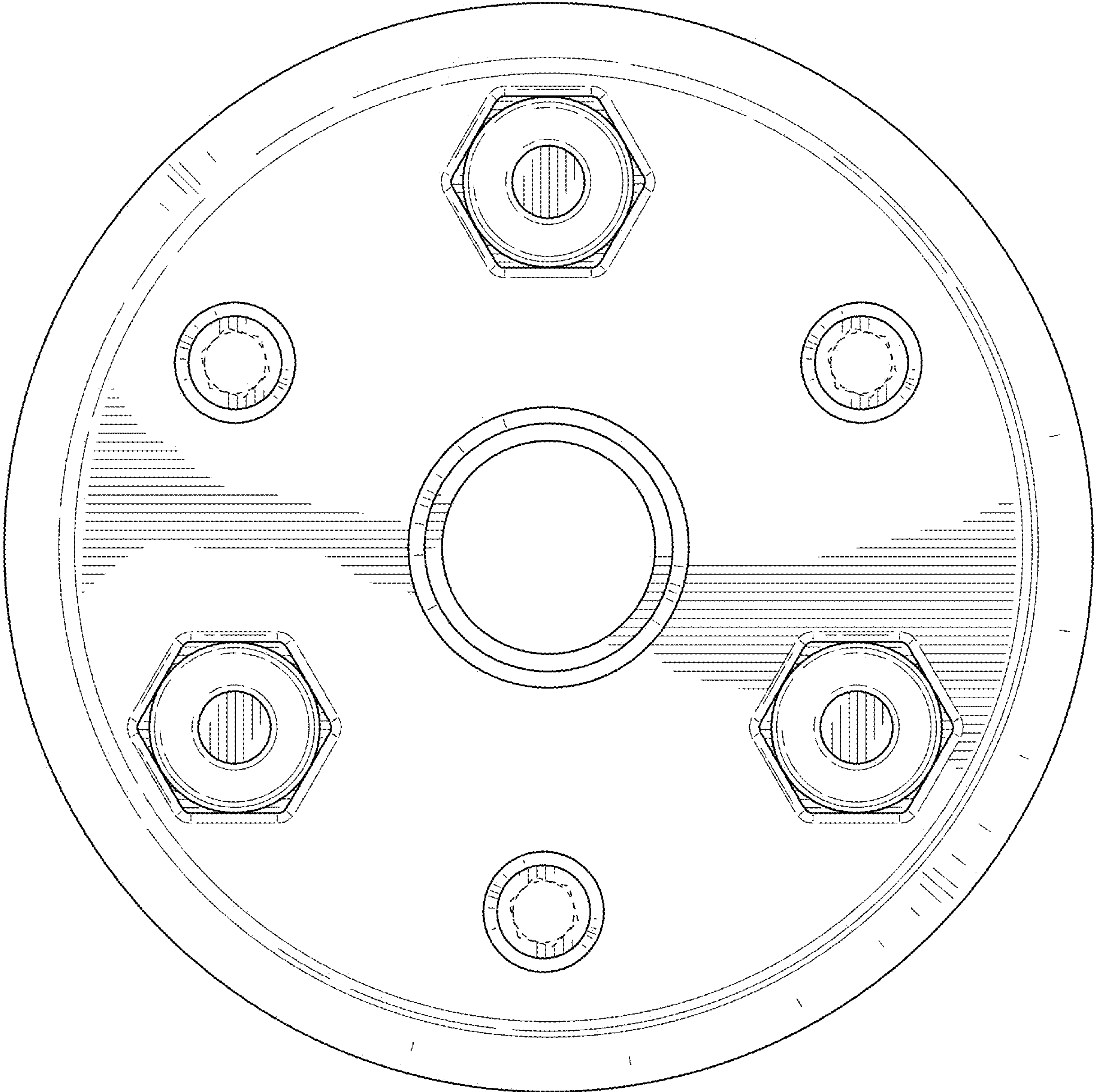


FIG. 6

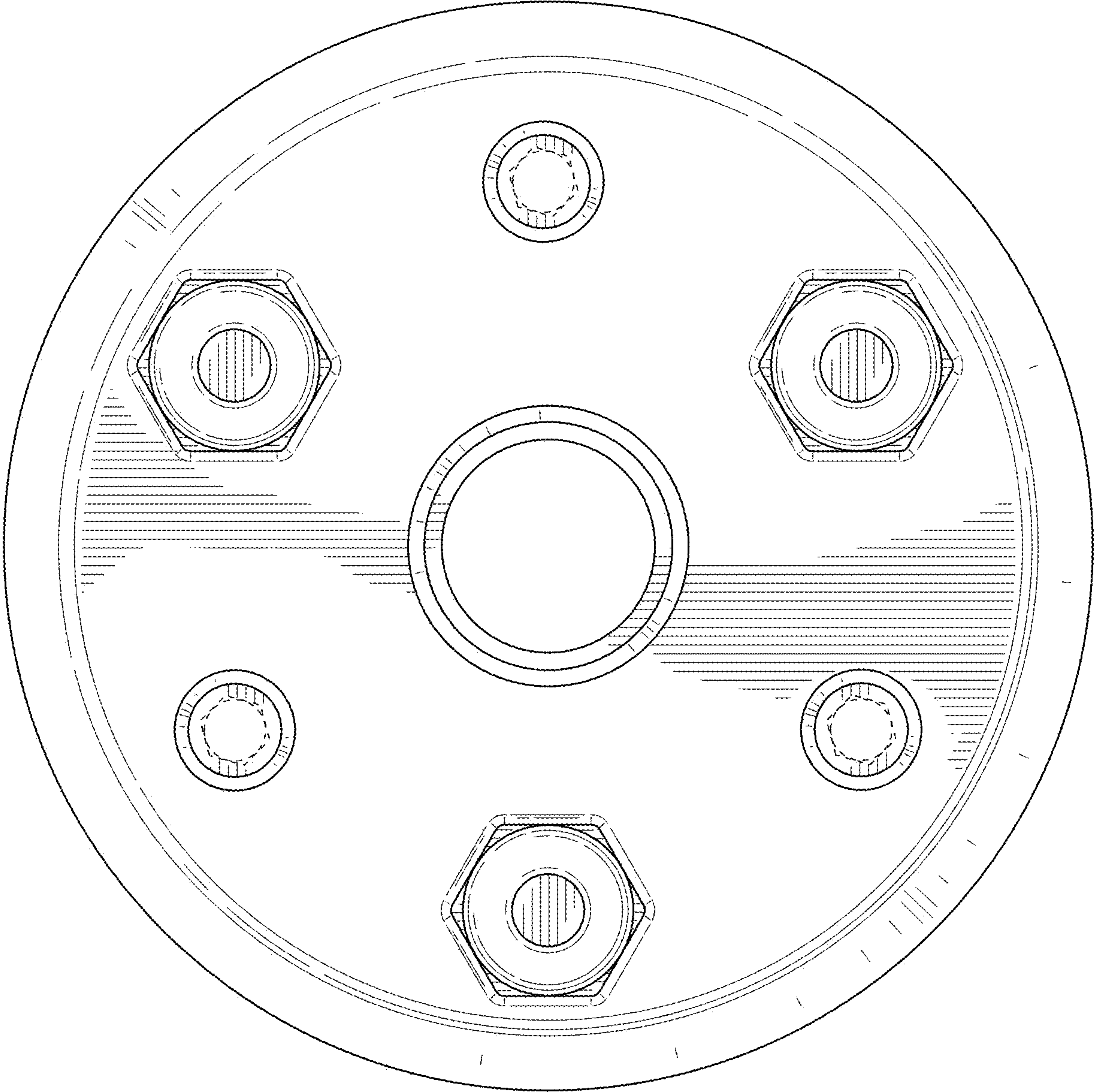


FIG. 7

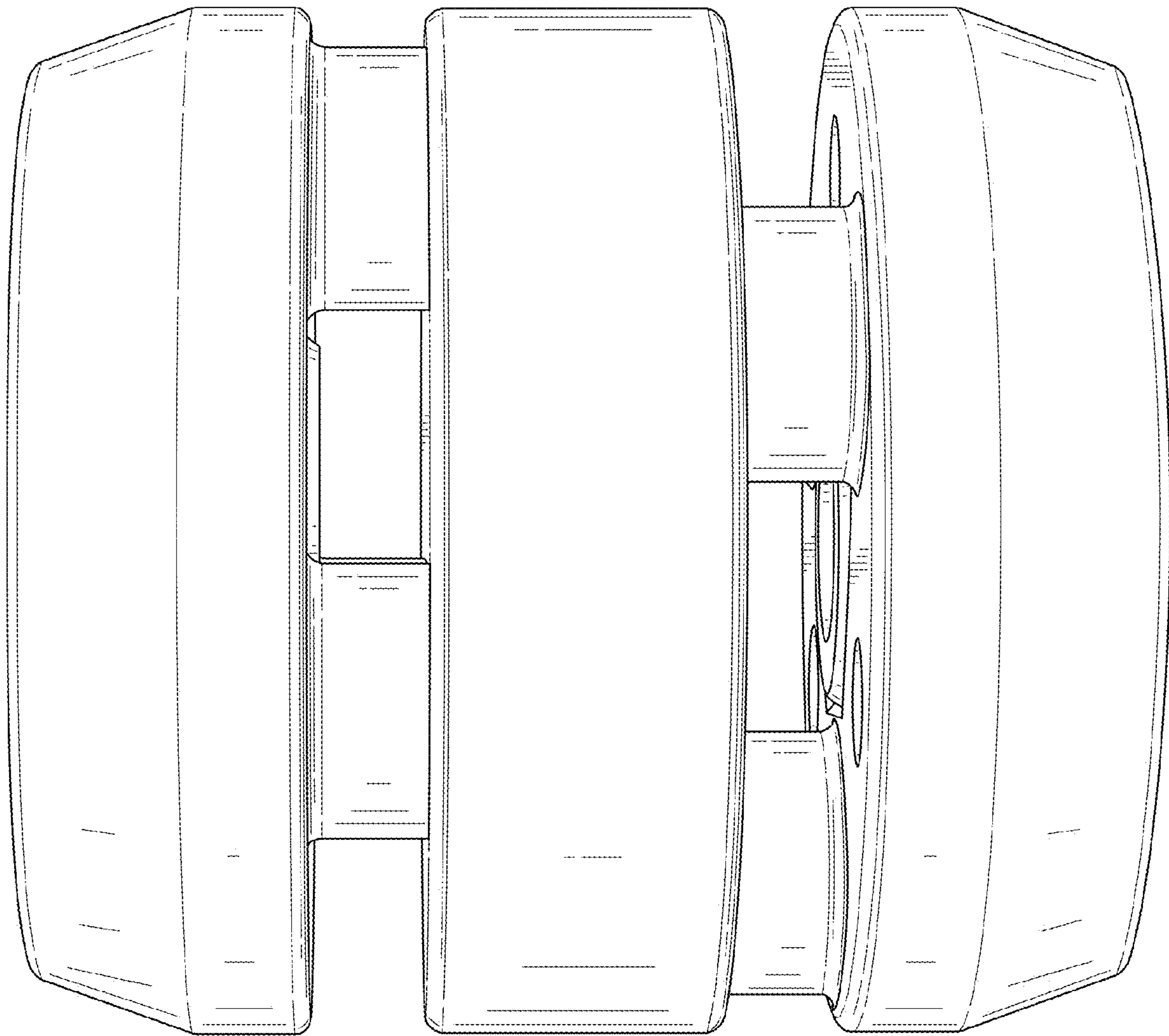


FIG. 8

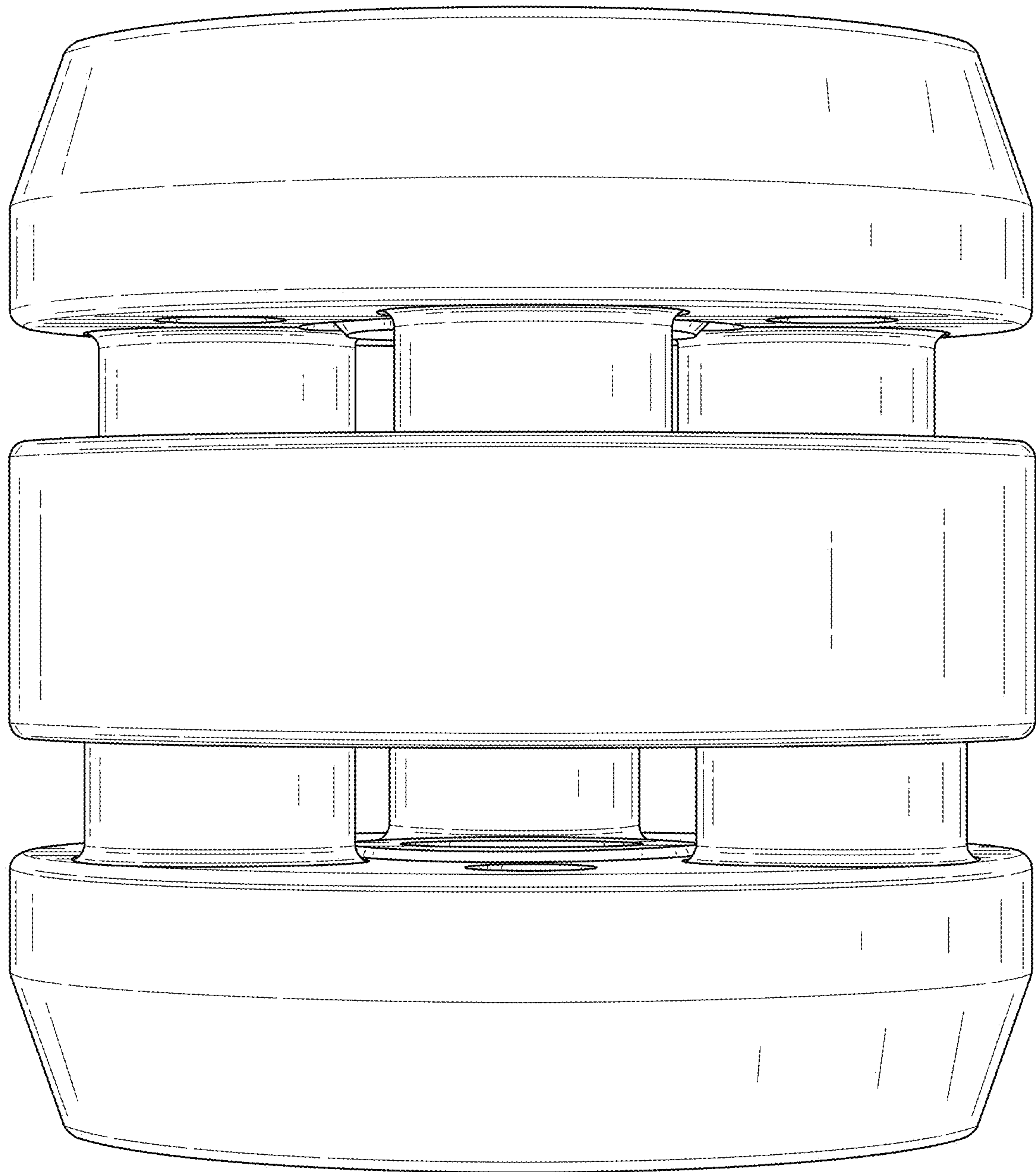


FIG. 9

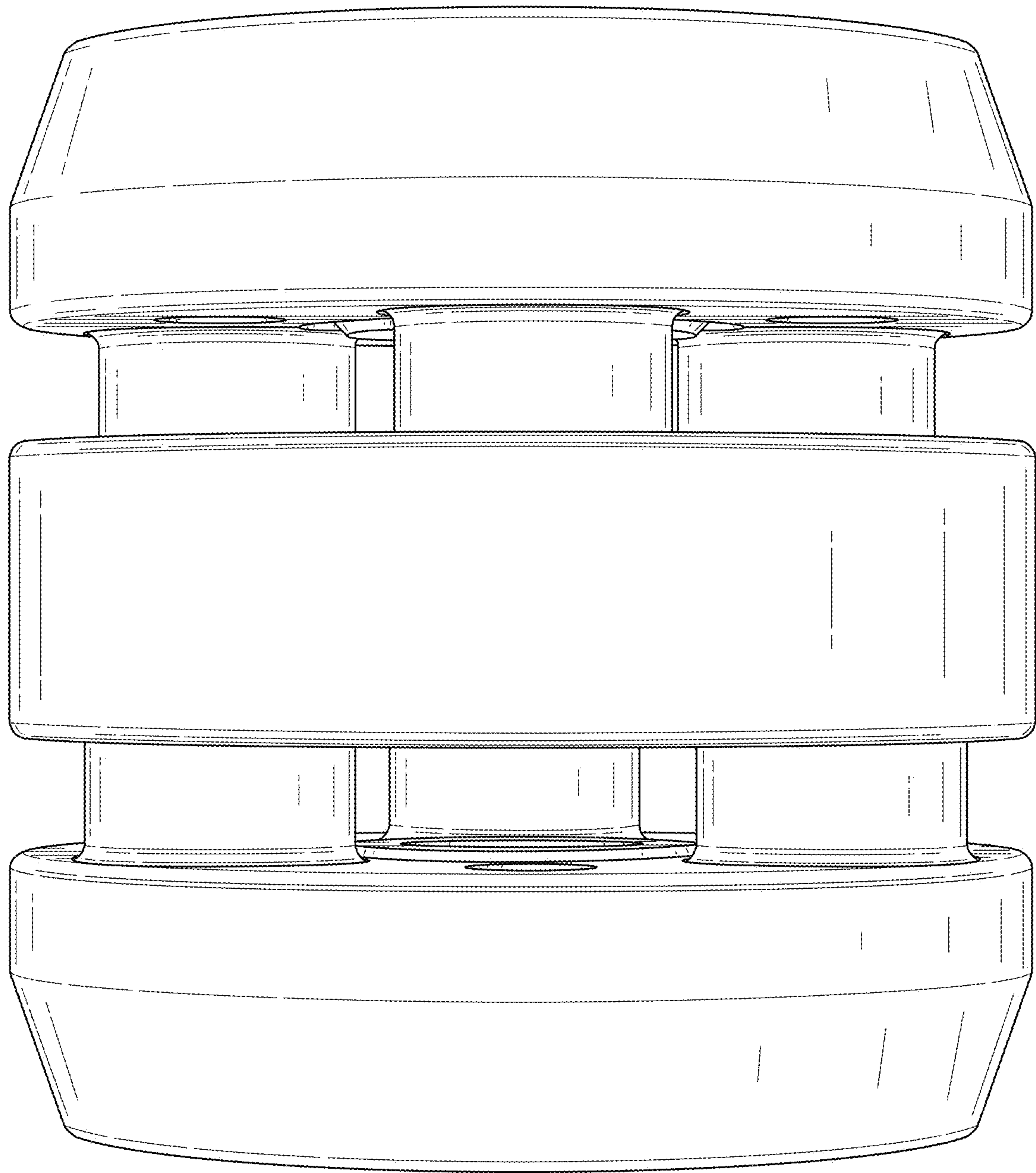


FIG. 10

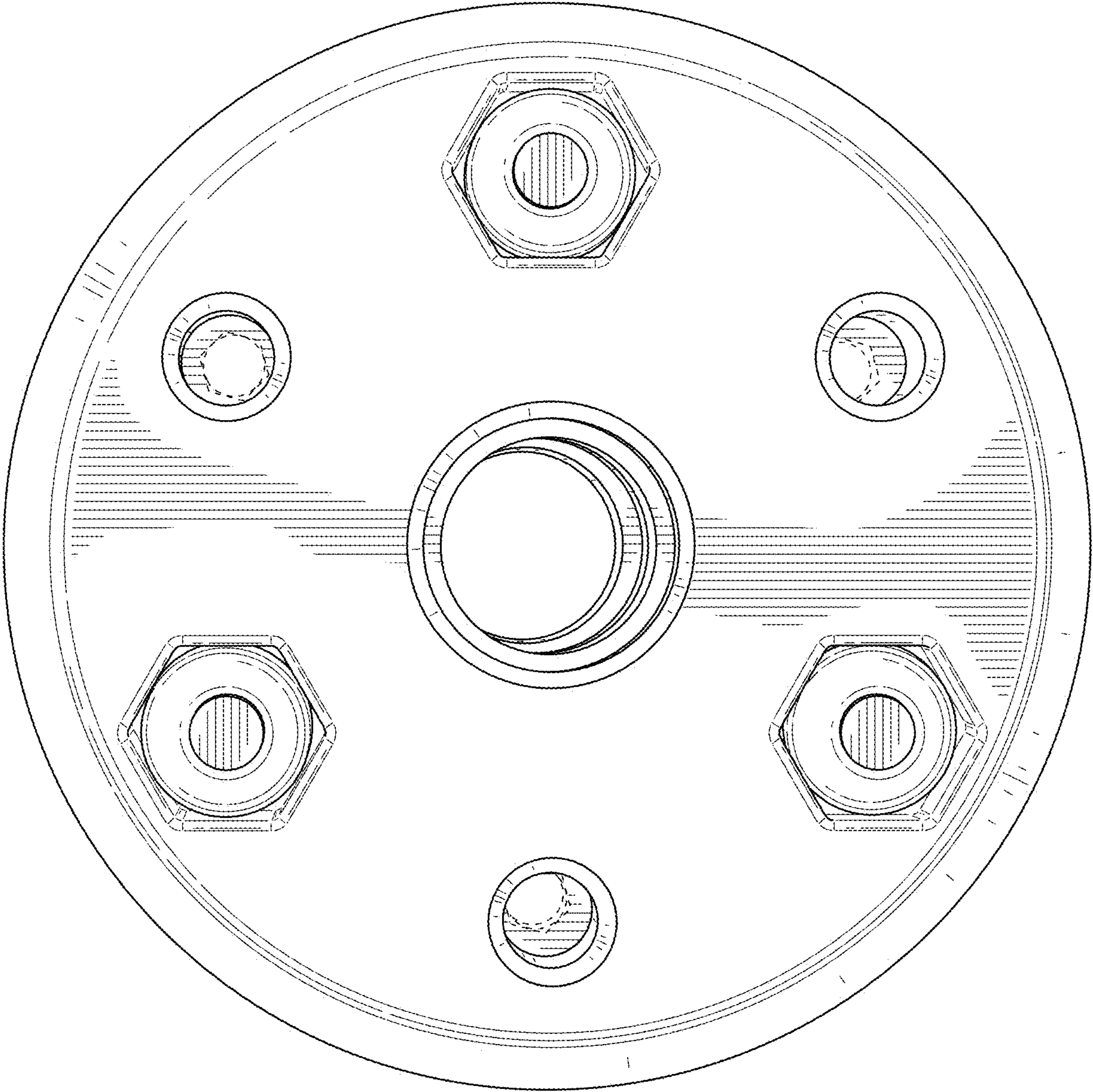


FIG. 11

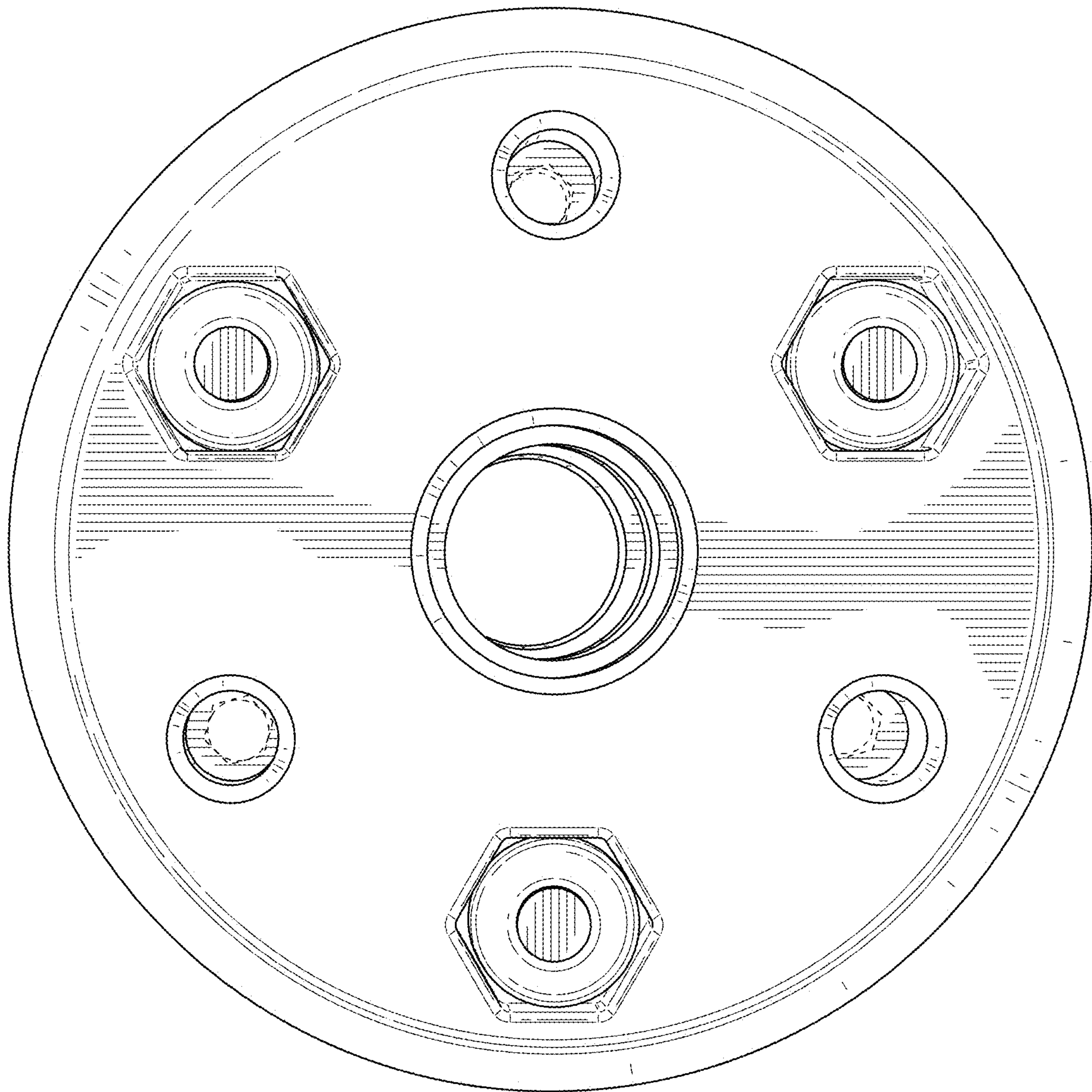


FIG. 12