



US00D924349S

(12) **United States Design Patent** (10) **Patent No.:** **US D924,349 S**
Palmer (45) **Date of Patent:** **** Jul. 6, 2021**

(54) **GOLF ARTICLE HOLDER** 5,743,276 A * 4/1998 Tamayo-Rivera A24F 13/22
131/259
(71) Applicant: **Richard Palmer**, Corona Del Mar, CA D439,944 S 4/2001 Graham
(US) 6,234,916 B1 * 5/2001 Carusillo A63B 55/10
473/286
(72) Inventor: **Richard Palmer**, Corona Del Mar, CA D493,859 S * 8/2004 Lee D21/793
(US) D516,146 S 2/2006 Iacono et al.
6,994,639 B2 * 2/2006 Parks A63B 57/50
473/408
(*) Notice: This patent is subject to a terminal dis- D576,236 S 9/2008 Kelley
claimer. 7,452,284 B2 * 11/2008 Pepe A63B 55/10
473/282
(**) Term: **15 Years** D586,411 S * 2/2009 Iacono D21/717
(Continued)

(21) Appl. No.: **29/722,987**
(22) Filed: **Feb. 3, 2020**
(51) **LOC (13) Cl.** **21-02**
(52) **U.S. Cl.**
USPC **D21/796**
(58) **Field of Classification Search**
USPC D21/789, 796, 717-718; D3/201, 221,
D3/254, 315, 318, 328
See application file for complete search history.

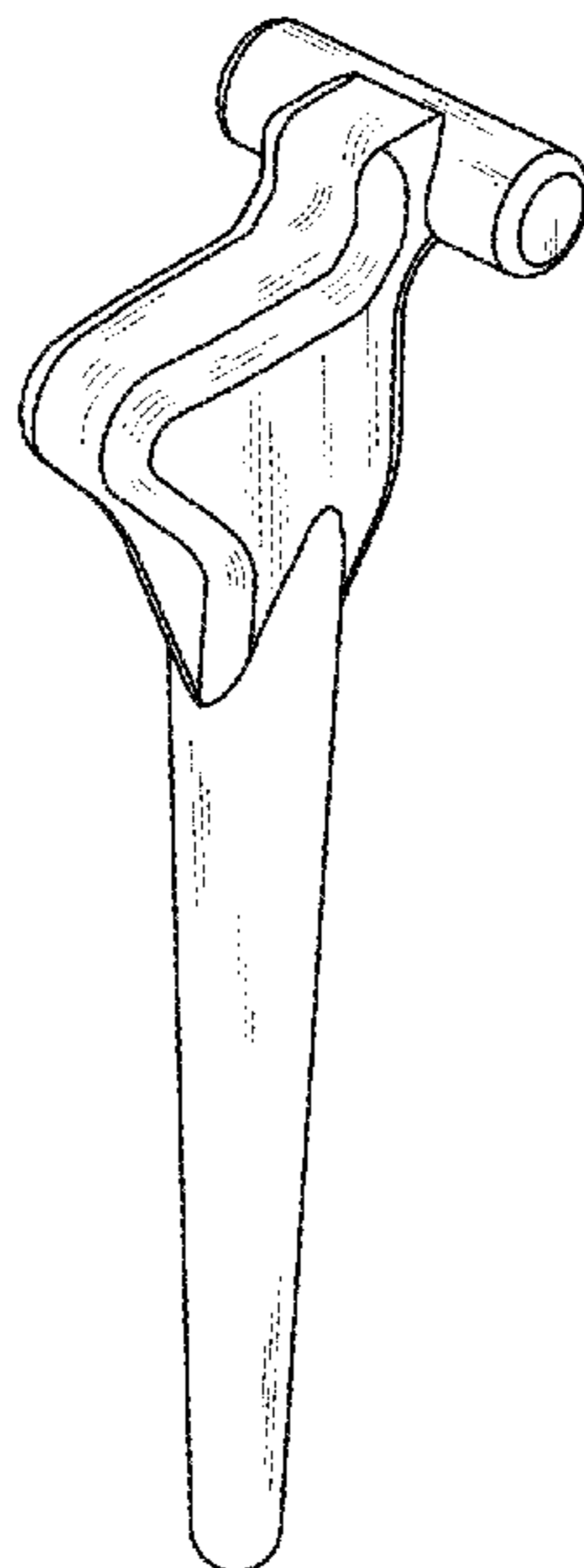
(56) **References Cited**
U.S. PATENT DOCUMENTS
3,001,529 A * 9/1961 Watson A63B 57/10
131/257
D210,837 S * 4/1968 Warner D21/718
4,838,285 A * 6/1989 Petrone A63B 57/10
131/259
D335,695 S * 5/1993 Beck D21/796
D364,439 S * 11/1995 Ragusin D21/796
D375,815 S * 11/1996 Kagasoff D21/793
5,588,448 A * 12/1996 Photakis A24F 13/22
131/259
D379,551 S * 5/1997 Hubbard D27/183
D389,214 S * 1/1998 Impastato, II D21/794
5,706,831 A * 1/1998 Whitbeck A24F 13/22
131/187
D392,011 S * 3/1998 Palmer D21/759

Primary Examiner — Mitchell I. Siegel
(74) *Attorney, Agent, or Firm* — Johan Eide; Christopher Pilling; My Patent Guys

(57) **CLAIM**
The ornamental design for a golf article holder, as shown and described.

DESCRIPTION
FIG. 1 is a perspective view of a new design for a golf article holder that has a main peg member;
FIG. 2 is a right thereof;
FIG. 3 is a left view thereof;
FIG. 4 is a rear view thereof;
FIG. 5 is a front view thereof;
FIG. 6 is a top thereof;
FIG. 7 is a bottom view thereof;
FIG. 8 is a perspective view of a of a second embodiment of a golf article holder that includes an environmental peg member;
FIG. 9 is a right view of FIG. 8; and,
FIG. 10 is a left view of FIG. 8.
The broken lines shown in the drawings depict portions of the golf article holder that form no part of the claimed design.

1 Claim, 10 Drawing Sheets



(56)

References Cited

U.S. PATENT DOCUMENTS

D609,397 S *	2/2010	Fellows	D27/183
D620,542 S *	7/2010	Sheffield	D21/796
D651,266 S	12/2011	Swagel et al.	
D857,138 S *	8/2019	Slyder	D21/796
2004/0182402 A1 *	9/2004	Cervantes	A24F 13/22 131/257

* cited by examiner

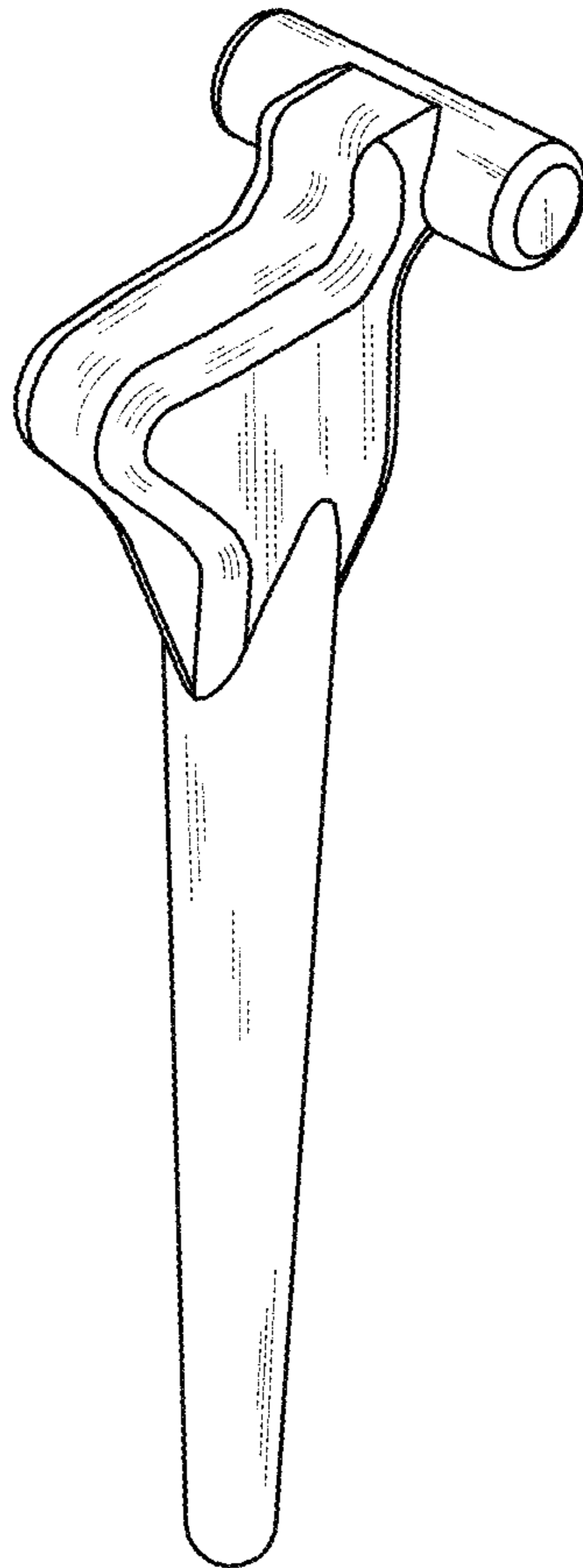


FIG. 1

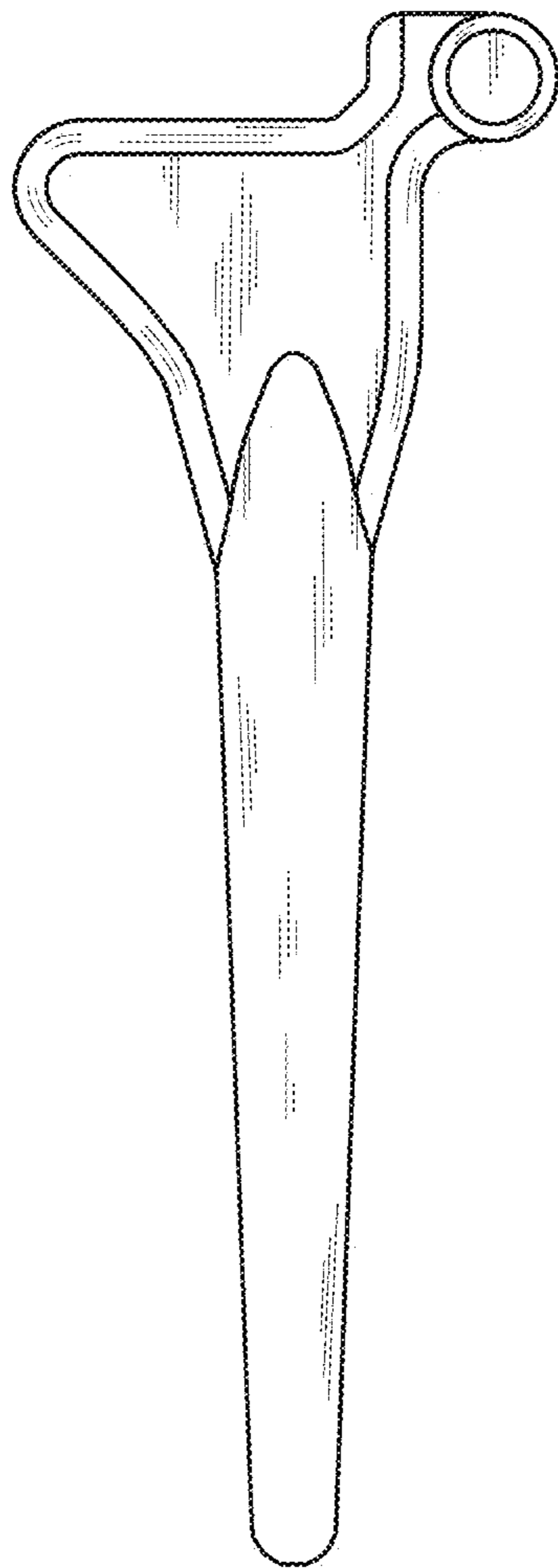


FIG. 2

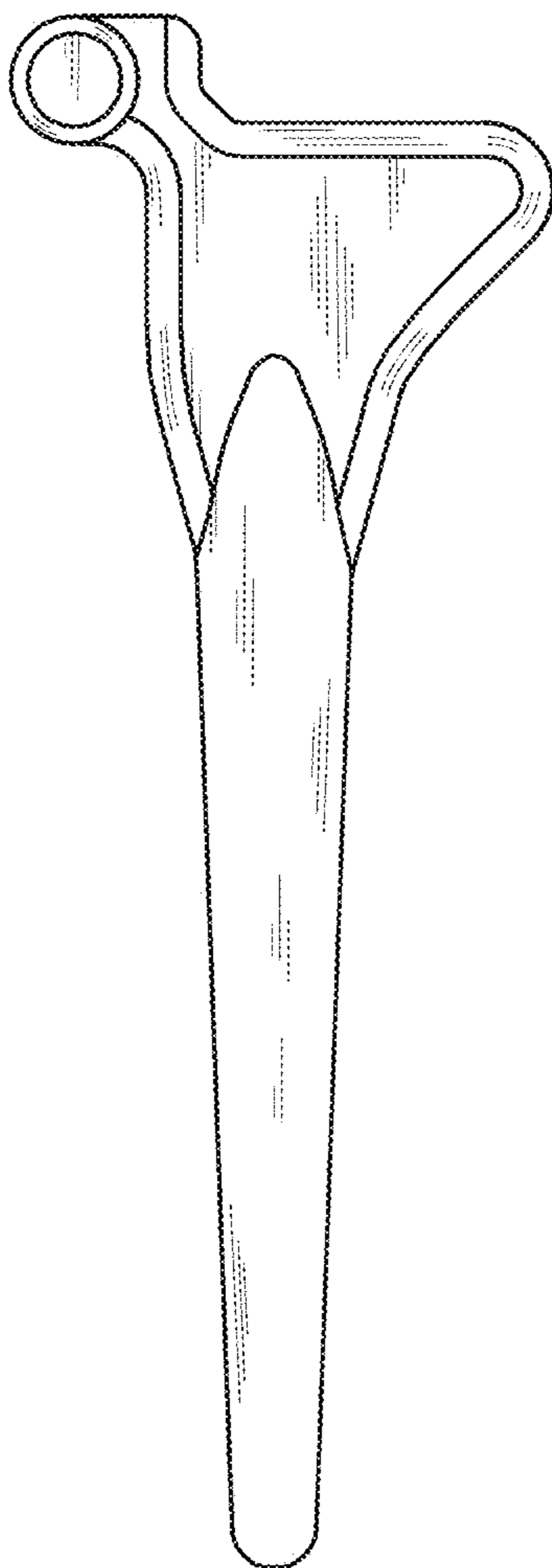


FIG. 3

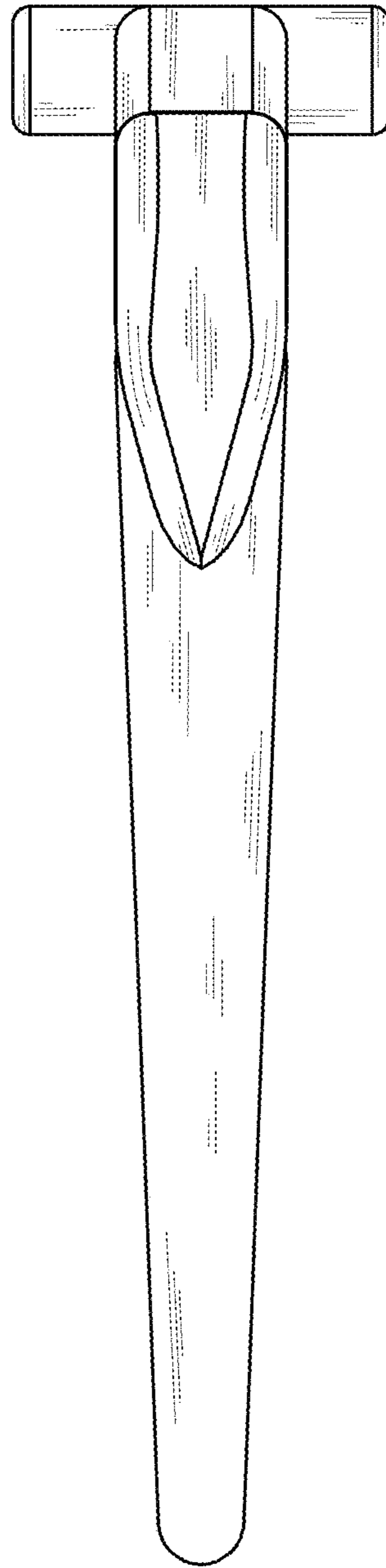


FIG. 4

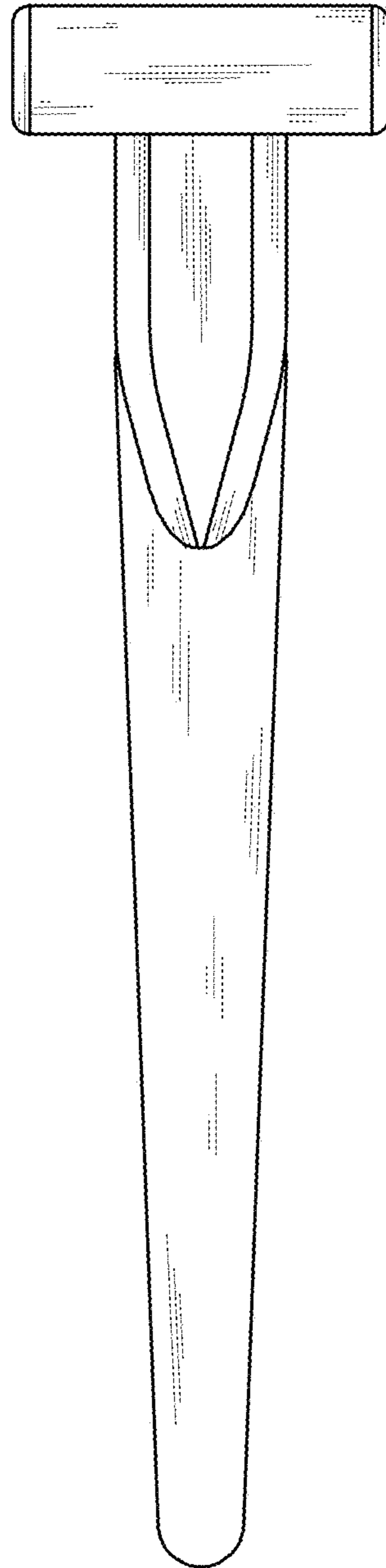


FIG. 5

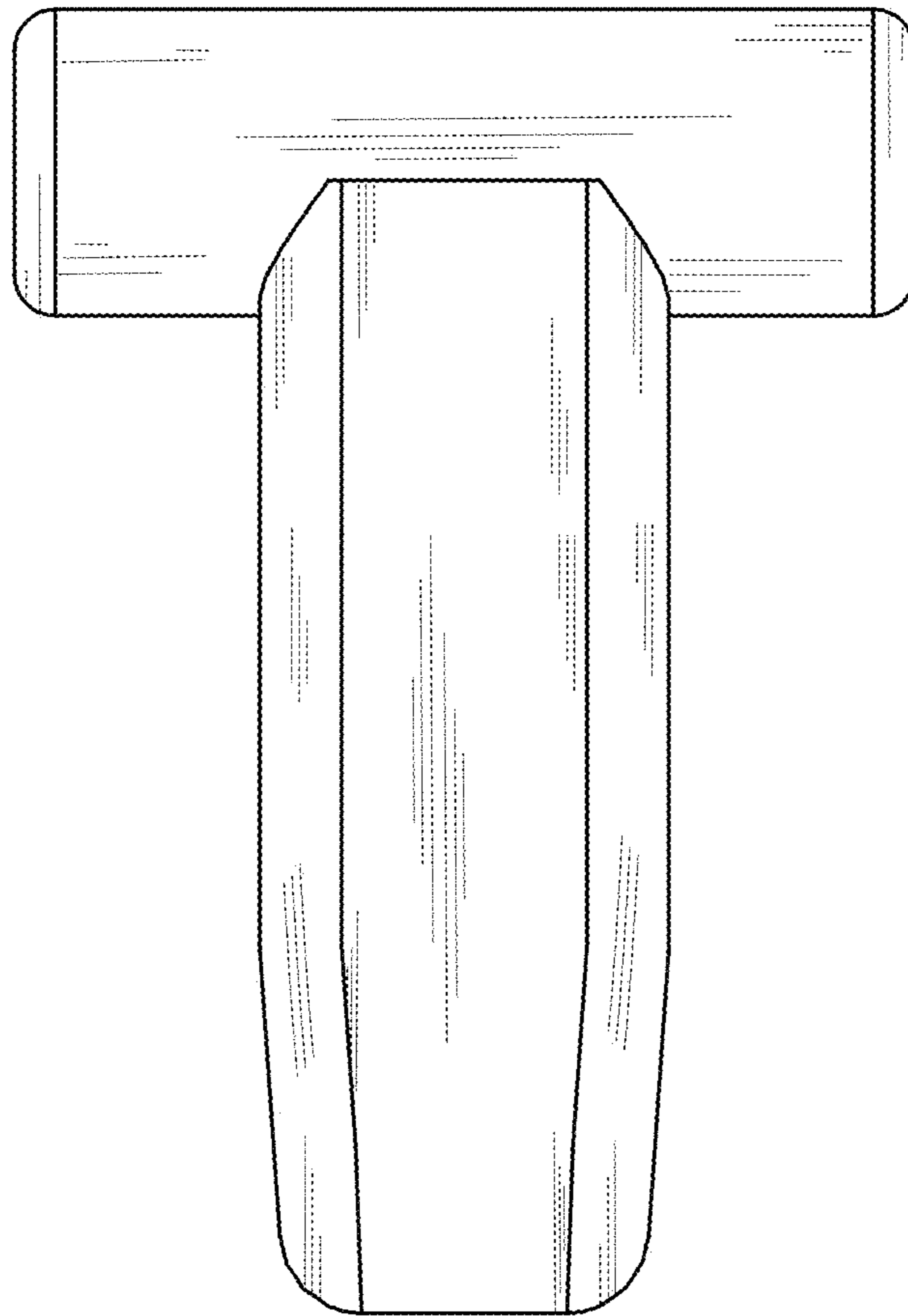


FIG. 6

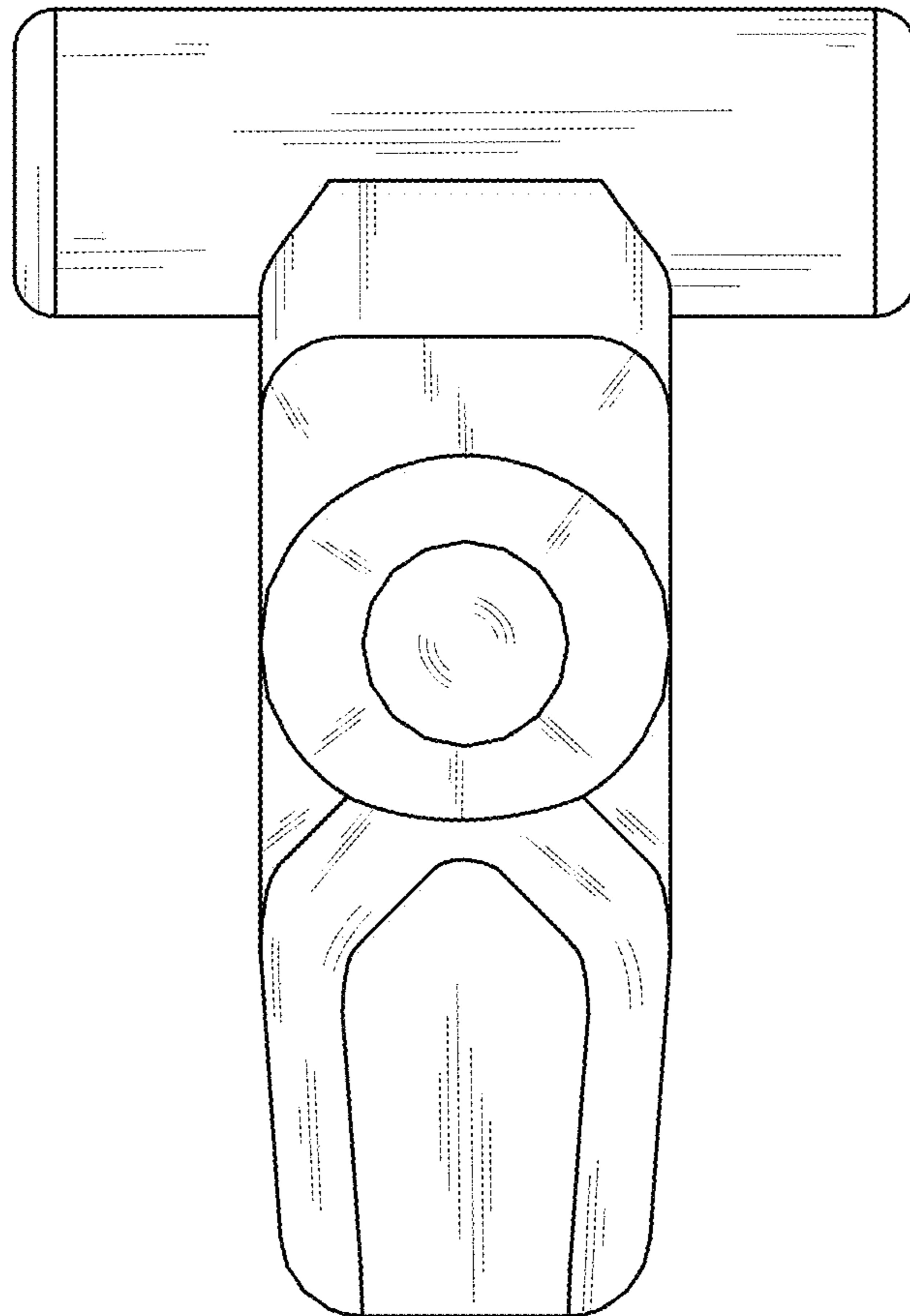


FIG. 7

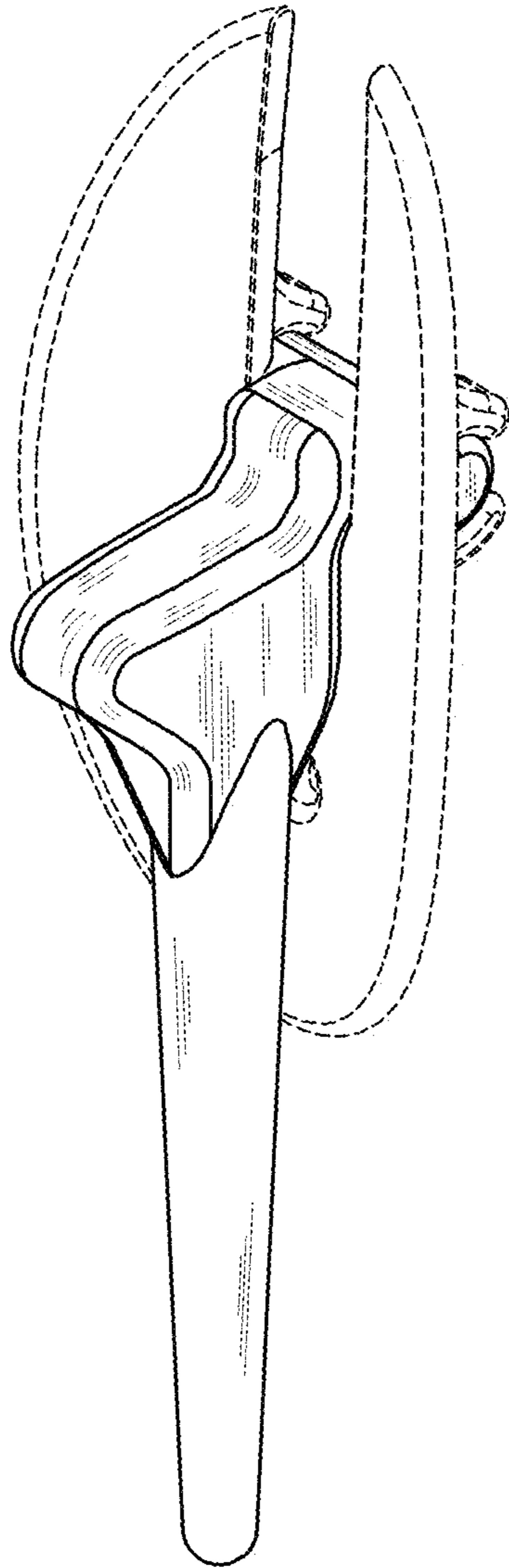


FIG. 8

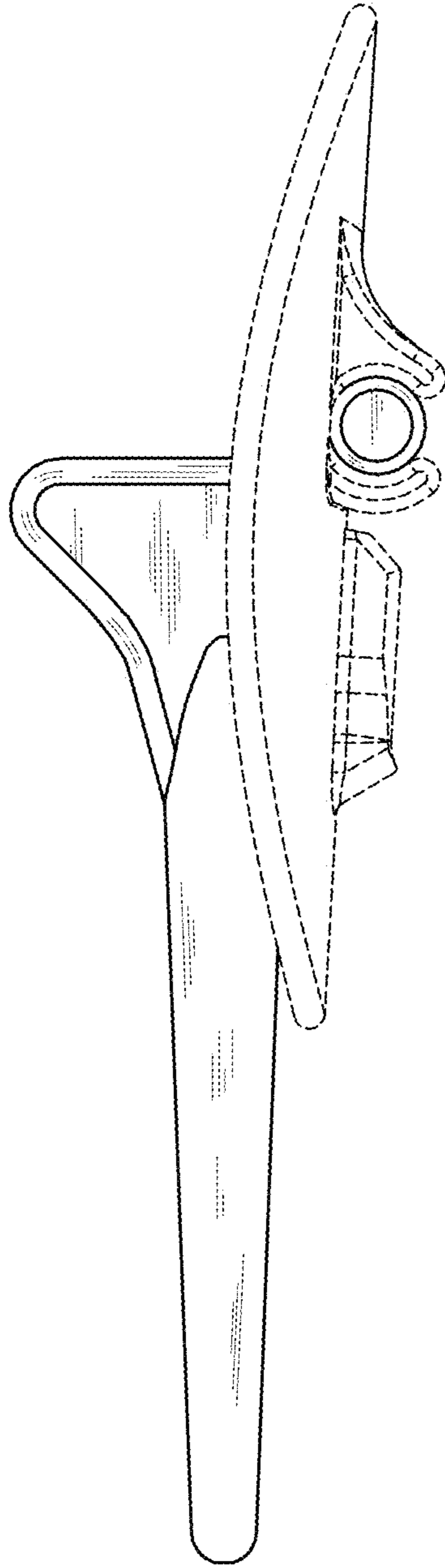


FIG. 9

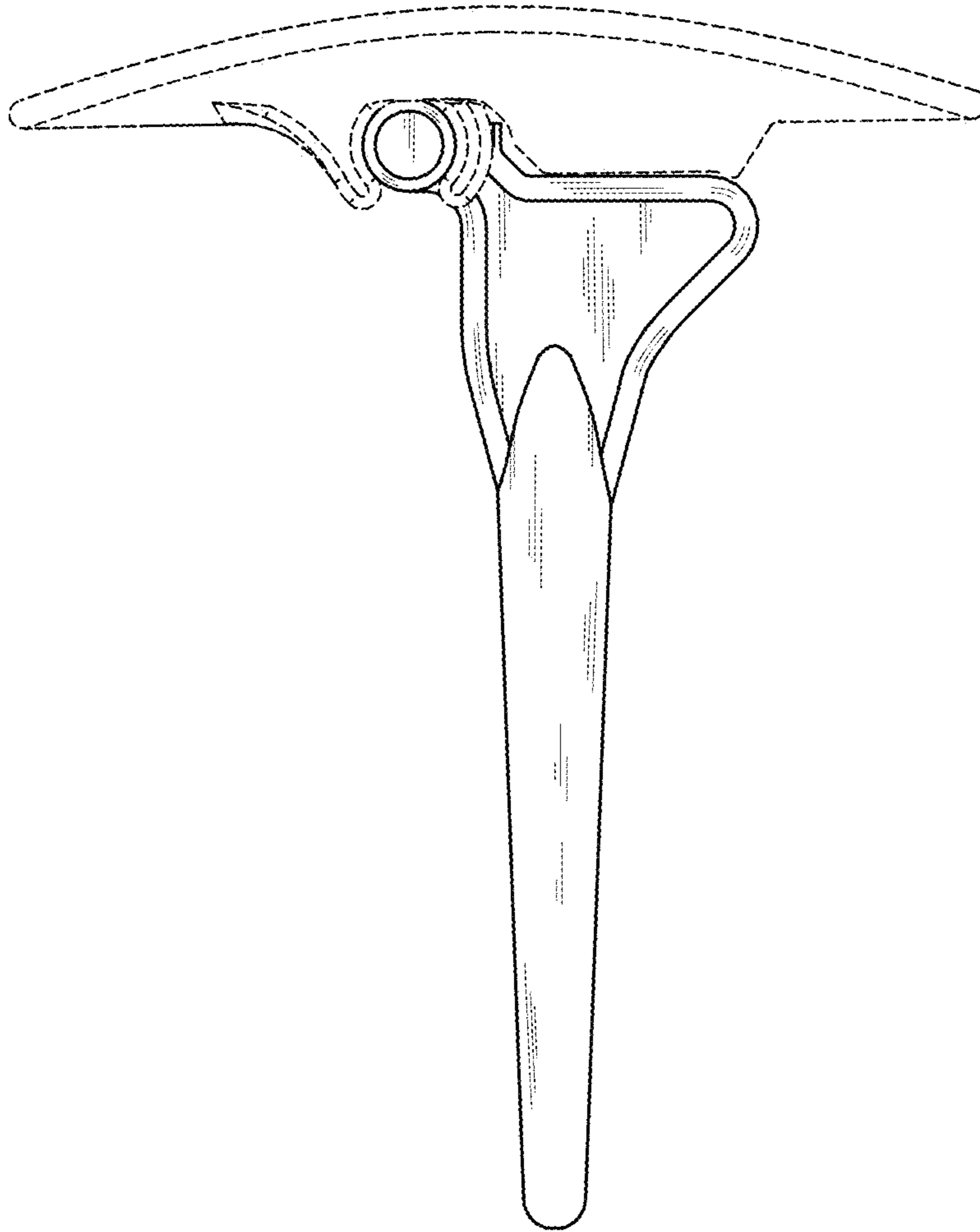


FIG. 10