



US00D924348S

(12) **United States Design Patent**
Ubelhor et al.

(10) **Patent No.:** **US D924,348 S**
(45) **Date of Patent:** **** Jul. 6, 2021**

- (54) **COMBINED GOLF TEE, DIVOT REPAIR TOOL AND GROOVE CLEANER**
- (71) Applicants: **Zachary Saare Ubelhor**, Newburgh, IN (US); **Taylor Christopher Gilkey**, Newburgh, IN (US)
- (72) Inventors: **Zachary Saare Ubelhor**, Newburgh, IN (US); **Taylor Christopher Gilkey**, Newburgh, IN (US)
- (**) Term: **15 Years**
- (21) Appl. No.: **29/696,434**
- (22) Filed: **Jun. 27, 2019**
- (51) **LOC (13) Cl.** **21-02**
- (52) **U.S. Cl.**
USPC **D21/793; D21/717**
- (58) **Field of Classification Search**
USPC D21/717, 718, 789, 793–794
CPC A63B 57/10; A63B 57/12; A63B 57/16; A63B 57/19–20; A63B 57/13; A63B 57/18; A63B 57/30; A63B 57/35; A63B 57/203; A63B 57/50; A63B 57/00
See application file for complete search history.

- (56) **References Cited**
U.S. PATENT DOCUMENTS

D91,150 S 12/1933 Thompson
D230,409 S * 2/1974 Schaffer D21/718
D308,713 S * 6/1990 Sherry D21/793
D316,286 S * 4/1991 Johnson D21/718
5,211,395 A * 5/1993 Liao A63B 57/10
473/391

D346,190 S 4/1994 Folker
D382,929 S * 8/1997 DeBlieux D21/717
D385,940 S * 11/1997 Justice D21/794
D392,362 S 3/1998 Ridgeway
D439,944 S 4/2001 Graham

- D453,810 S 2/2002 Lee
- D487,788 S * 3/2004 Impellizeri D21/793
- D494,244 S 8/2004 Jacome
- D505,473 S 5/2005 Foley
- D511,193 S 11/2005 Trawoger
- D513,632 S 1/2006 Sokolowski
- D653,720 S 2/2012 Piatkowski
- D656,212 S * 3/2012 Cherrie D21/793
- D708,286 S * 7/2014 Hinshaw D21/793
- 8,764,587 B2 * 7/2014 Sinanis A63B 57/10
473/387
- 9,216,336 B2 12/2015 Jackson
- D748,508 S 2/2016 Park et al.
- D775,701 S * 1/2017 Hinshaw D21/793
- D795,369 S * 8/2017 Buechler D21/717
- D834,124 S 11/2018 Zwart
- D842,955 S * 3/2019 Johnson D21/793
- D861,100 S * 9/2019 Jones D21/793
- D876,560 S * 2/2020 Jones D21/718
- 2002/0187861 A1 12/2002 Jacome
- 2003/0148830 A1 * 8/2003 Hsiao A63B 57/10
473/387

(Continued)

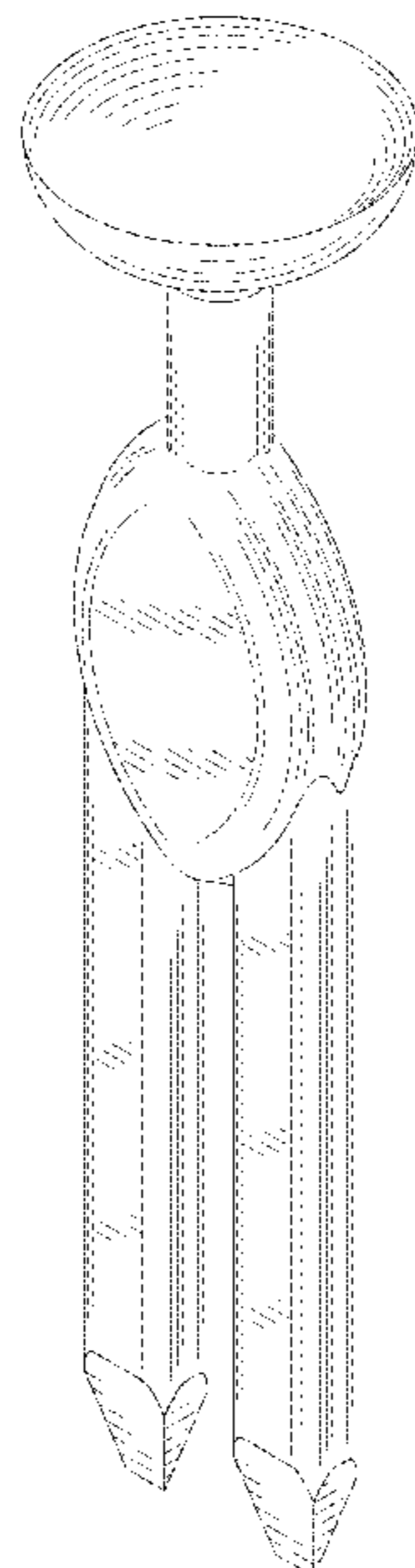
Primary Examiner — Mitchell I. Siegel
(74) *Attorney, Agent, or Firm* — Dunlap Bennett & Ludwig, PLLC

(57) **CLAIM**
The ornamental design for a combined golf tee, divot repair tool and groove cleaner, as shown and described.

DESCRIPTION

FIG. 1 is a top front perspective view of a combined golf tee, divot repair tool and groove cleaner;
FIG. 2 is a front elevation view thereof, the rear elevation view being a mirror image thereof;
FIG. 3 is a right side elevation view thereof, the left side elevation view being a mirror image thereof;
FIG. 4 is a top plan view thereof; and,
FIG. 5 is a bottom plan view thereof.

1 Claim, 4 Drawing Sheets



(56)

References Cited

U.S. PATENT DOCUMENTS

2004/0132556 A1 7/2004 Jacome
2006/0100037 A1* 5/2006 Pels A63B 57/12
473/387
2011/0039639 A1 2/2011 Carsey
2014/0323247 A1 10/2014 Sinanis et al.
2016/0206936 A1* 7/2016 Chuang A63B 24/0062

* cited by examiner

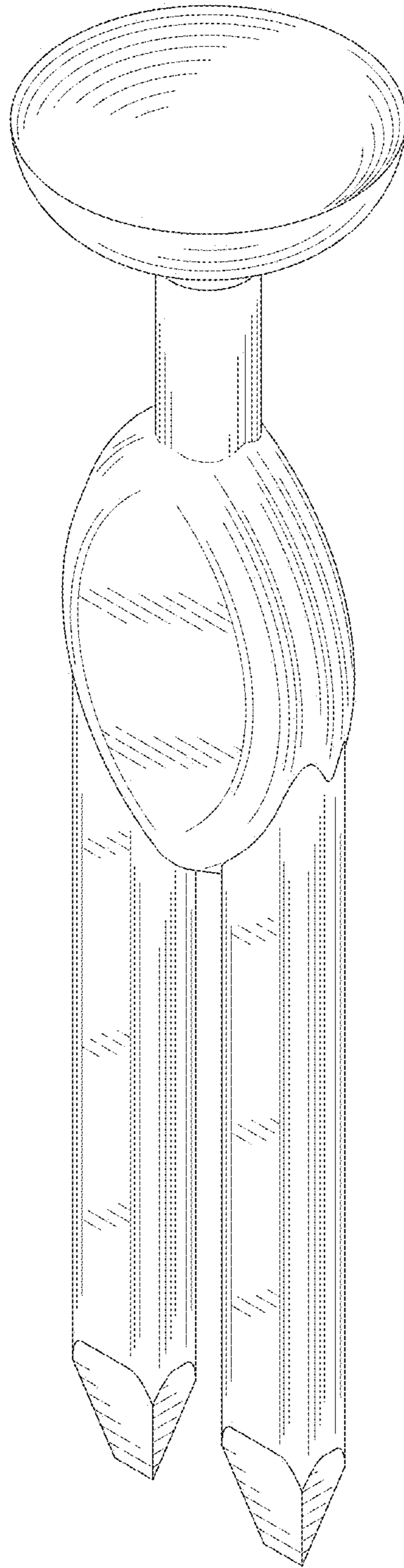


FIG. 1

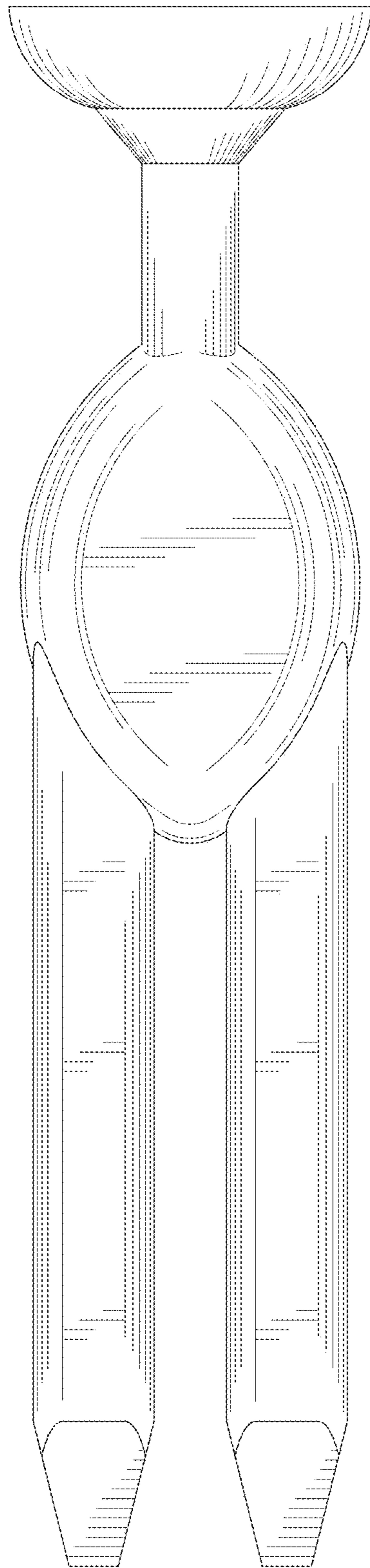


FIG. 2

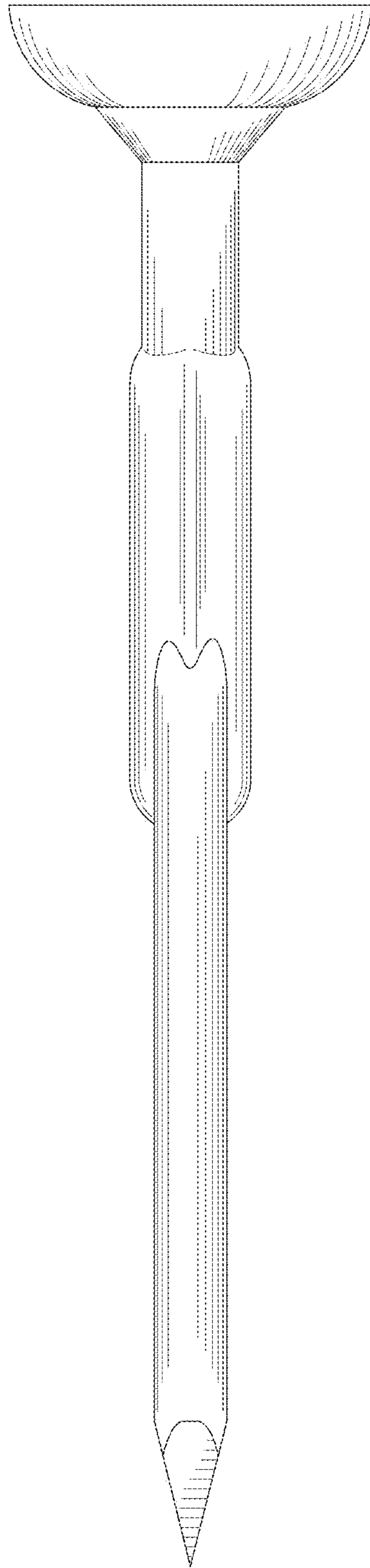


FIG. 3

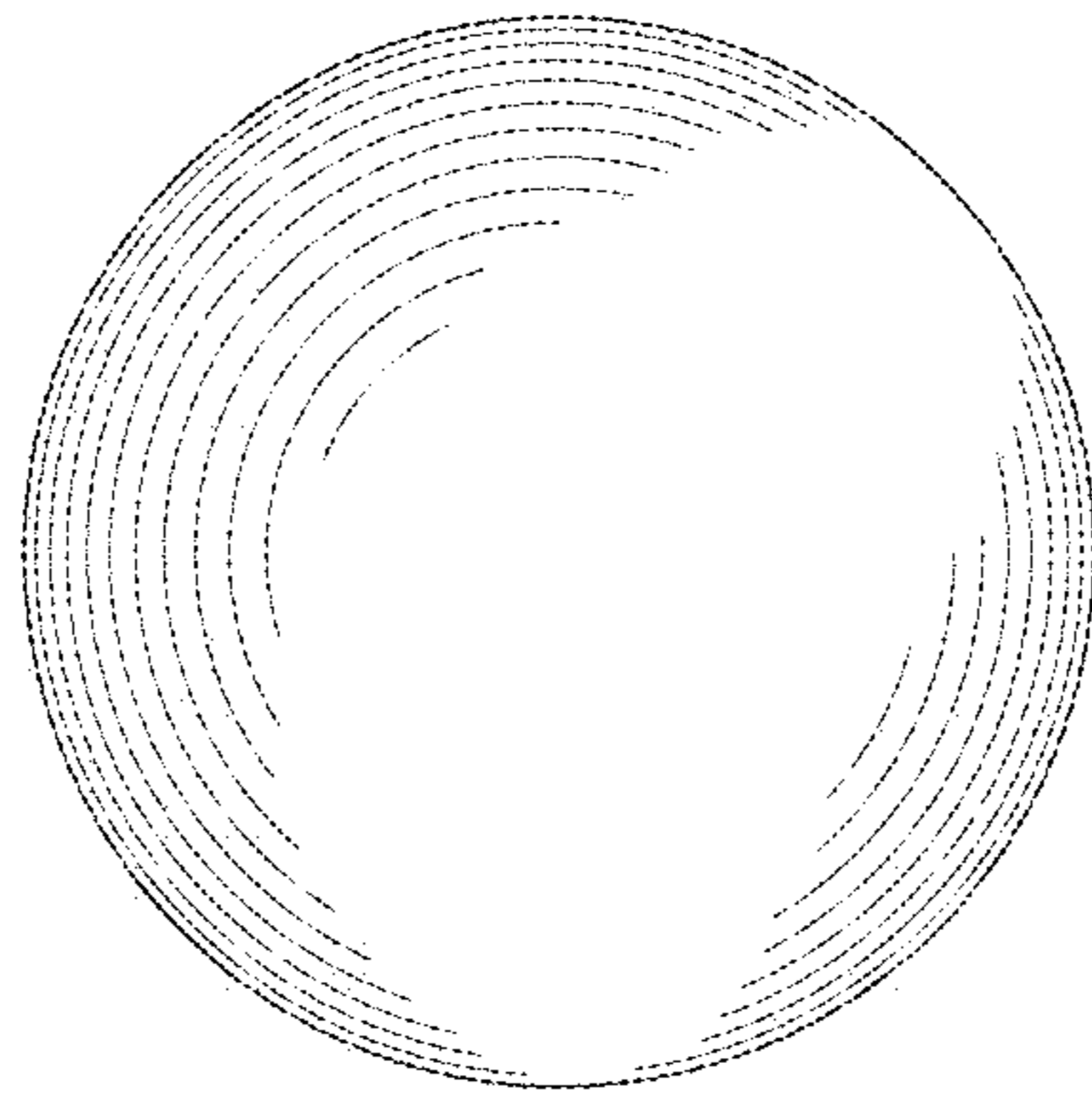


FIG. 4

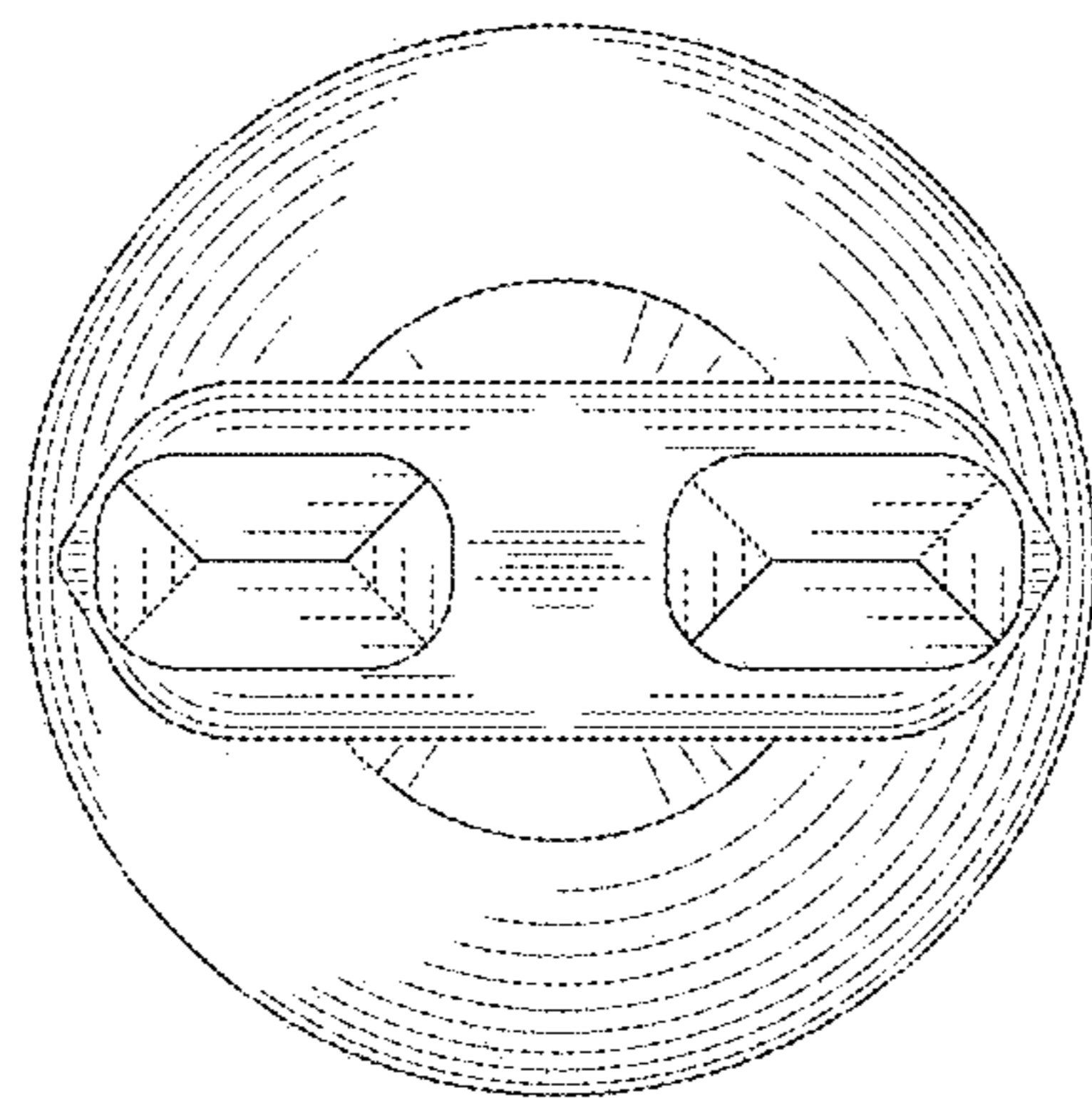


FIG. 5