



US00D924346S

(12) **United States Design Patent**
Nicolette et al.

(10) **Patent No.:** **US D924,346 S**
(45) **Date of Patent:** **** Jul. 6, 2021**

- (54) **GOLF CLUB HEAD**
- (71) Applicant: **PARSONS XTREME GOLF, LLC**,
Scottsdale, AZ (US)
- (72) Inventors: **Michael R. Nicolette**, Scottsdale, AZ
(US); **Bradley D. Schweigert**, Cave
Creek, AZ (US)
- (73) Assignee: **PARSONS XTREME GOLF, LLC**,
Scottsdale, AZ (US)
- (**) Term: **15 Years**
- (21) Appl. No.: **29/707,875**
- (22) Filed: **Oct. 1, 2019**

Related U.S. Application Data

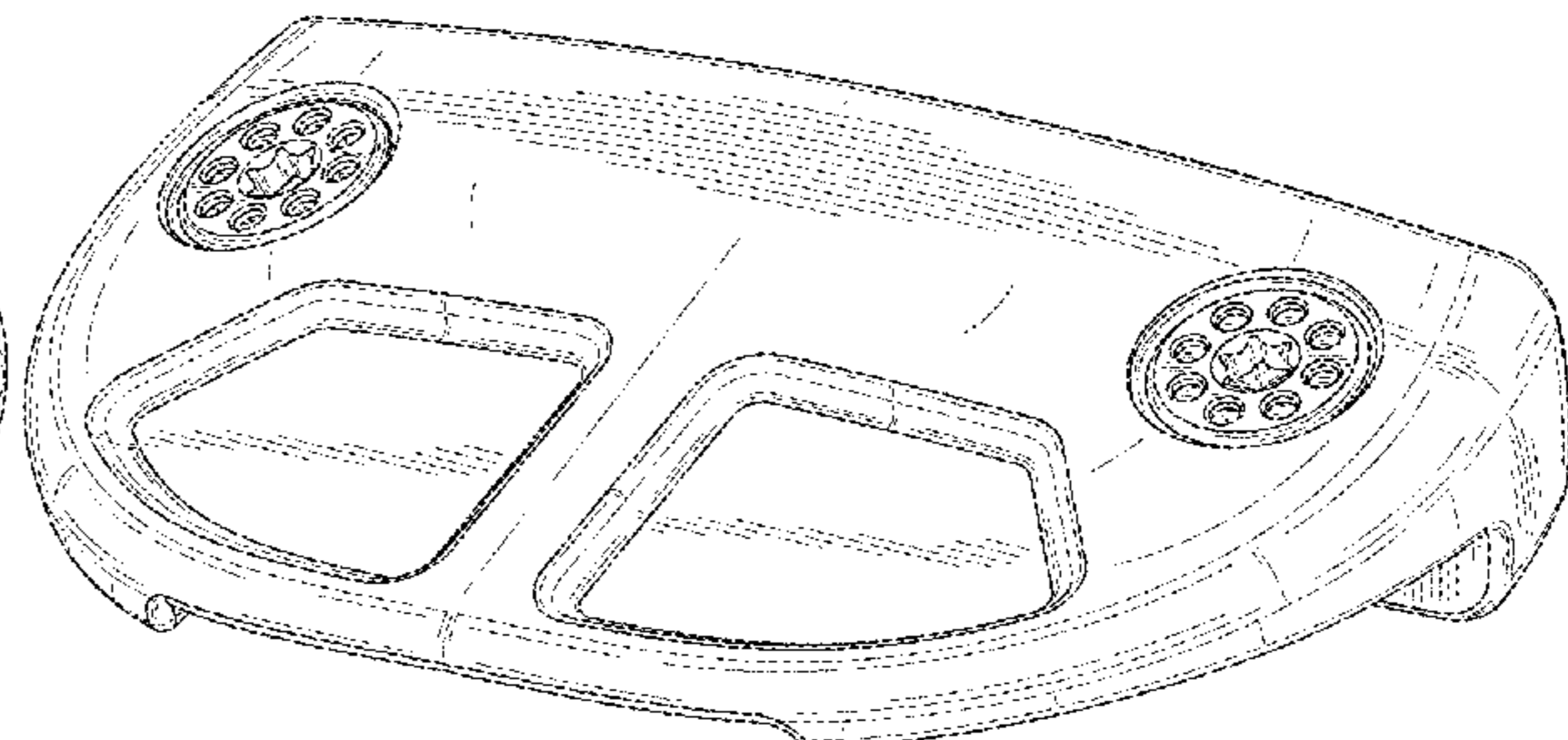
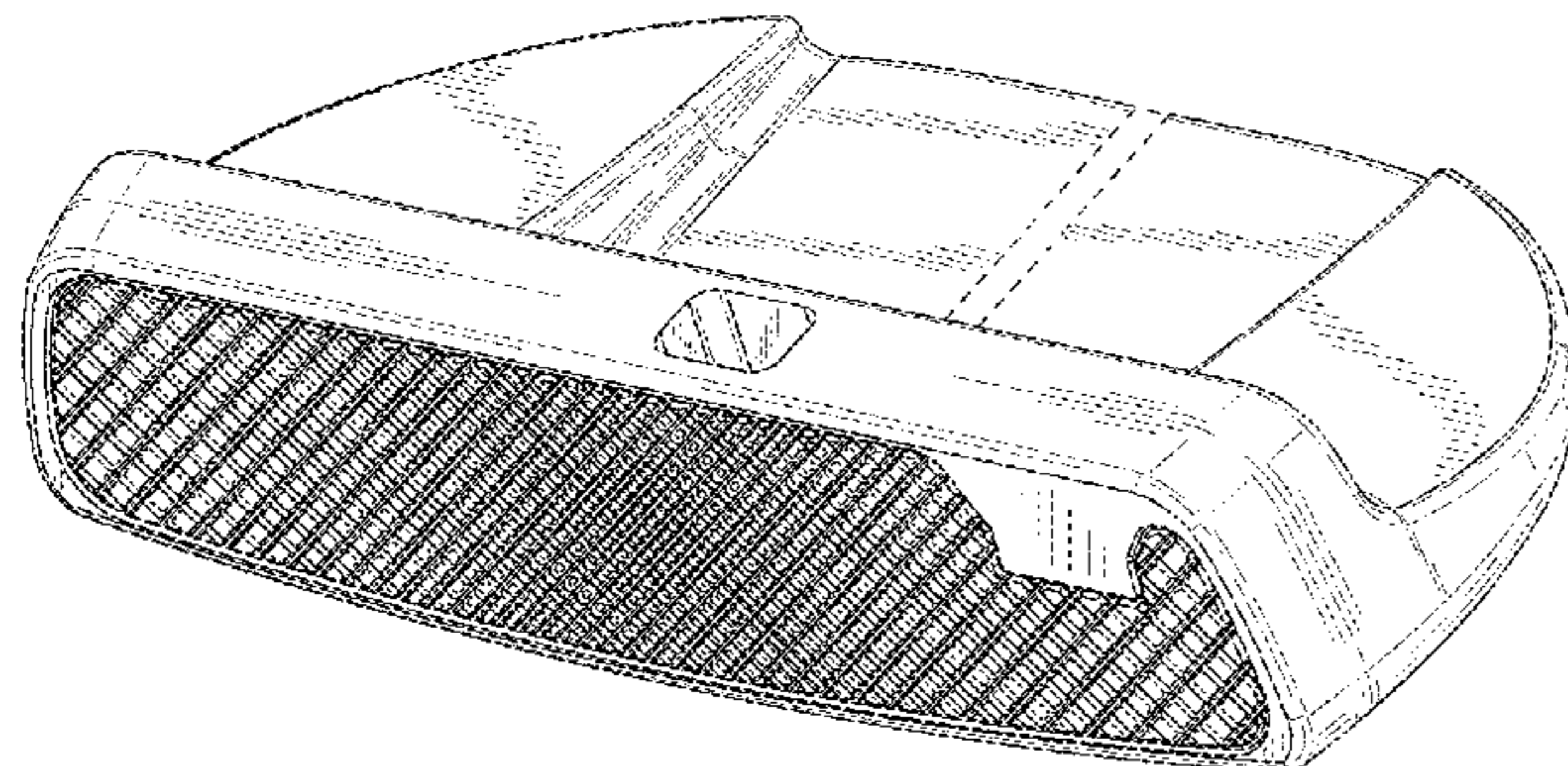
- (63) Continuation-in-part of application No. 29/698,932,
filed on Jul. 22, 2019, which is a continuation-in-part
of application No. 29/679,120, filed on Feb. 1, 2019,
now abandoned, application No. 29/707,875, filed on
Oct. 1, 2019, which is a continuation-in-part of
application No. 29/698,309, filed on Jul. 16, 2019,
now abandoned, which is a continuation-in-part of
application No. 29/679,120.
- (51) **LOC (13) Cl.** **21-02**
- (52) **U.S. Cl.**
USPC **D21/736**
- (58) **Field of Classification Search**
USPC D21/736-746, 759
CPC A63B 53/00; A63B 53/04; A63B 53/007;
A63B 53/065; A63B 53/0487; A63B
60/00; A63B 60/46
See application file for complete search history.

(56) **References Cited**

U.S. PATENT DOCUMENTS

- 723,534 A * 3/1903 Knight A63B 53/0487
473/313
- 922,444 A 5/1909 Youds
- D57,980 S * 5/1921 Kraeuter D21/741

- RE19,178 E 5/1934 Spiker
- 4,043,562 A 8/1977 Shillington
- 4,340,230 A 7/1982 Churchward
- 4,754,977 A 7/1988 Sahm
- 4,869,507 A 9/1989 Sahm
- 4,964,641 A 10/1990 Miesch
- D335,317 S 5/1993 Shearer
- D335,692 S 5/1993 Antonious
- D336,757 S 6/1993 Antonious
- 5,275,412 A 1/1994 Innes
- D350,582 S 9/1994 Miansian et al.
- 5,429,366 A 7/1995 McCabe
- D363,101 S 10/1995 Sturm
- 5,489,097 A 2/1996 Simmons
- D368,751 S 4/1996 Rife
- D369,393 S 4/1996 Oku
- D365,864 S 10/1996 Strum
- 5,571,053 A 11/1996 Lane
- D378,688 S 4/1997 Cameron, Jr.
- D385,609 S 10/1997 Cameron
- 5,683,307 A 11/1997 Rife
- D388,143 S 12/1997 Huan-Chiang
- D389,207 S 1/1998 Cameron
- D396,083 S * 7/1998 Sheets D21/742
- D396,685 S 8/1998 Masuda
- D399,290 S 10/1998 Sizemore, Jr.
- D399,911 S 10/1998 Sanchez
- D400,610 S * 11/1998 Cameron D21/742
- 5,839,974 A 11/1998 McAllister
- D405,836 S 2/1999 Nicolette et al.
- D409,701 S 5/1999 Ashcraft et al.
- 5,924,938 A 7/1999 Hines
- 6,007,434 A 12/1999 Baker
- D422,655 S 4/2000 Hicks
- 6,050,903 A 4/2000 Lake
- D426,276 S 6/2000 Besnard et al.
- D428,457 S * 7/2000 Rollinson D21/743
- D431,854 S 10/2000 Cameron
- D432,192 S 10/2000 Hicks
- D436,151 S 1/2001 Nicolette et al.
- D437,374 S 2/2001 Cameron
- D441,820 S 5/2001 Nicolette et al.
- D443,668 S 6/2001 Nicolette et al.
- D443,905 S 6/2001 Nicolette et al.
- D444,833 S 7/2001 Nicolette
- 6,257,994 B1 7/2001 Antonious
- 6,264,571 B1 7/2001 Lekavich
- D449,664 S 10/2001 Beebe et al.
- D449,865 S 10/2001 Fife, Jr. et al.
- D450,799 S 11/2001 Nicolette et al.
- D451,973 S 12/2001 Wells et al.
- 6,348,014 B1 2/2002 Chiu
- 6,354,959 B1 3/2002 Nicolette



US D924,346 S

6,394,910 B1	5/2002	McCarthy		D688,341 S	8/2013	Rollinson	
D472,949 S	4/2003	Serrano		D691,226 S	10/2013	Hilton et al.	
D474,821 S	5/2003	Wells et al.		D691,681 S *	10/2013	Hilton	D21/736
D474,949 S	5/2003	Schaffeld et al.		D699,308 S	2/2014	Rollinson	
6,652,390 B2	11/2003	Bradford		8,696,492 B1	4/2014	Hocknell	
D483,086 S	12/2003	Schweigert		D704,782 S	5/2014	Rollinson	
D486,872 S	2/2004	Schweigert et al.		8,721,472 B2	5/2014	Kuan	
D488,200 S	4/2004	Morgulis		8,790,193 B2	7/2014	Serrano	
D498,276 S	11/2004	Schweigert et al.		D711,483 S	8/2014	Wong	
D500,823 S *	1/2005	Aldrich	D21/759	D715,388 S	10/2014	Serrano	
6,902,496 B2	6/2005	Solheim		D720,022 S *	12/2014	Rollinson	D21/736
D511,802 S *	11/2005	Cameron	D21/744	D720,023 S *	12/2014	Rollinson	D21/736
D512,116 S	11/2005	Mirafior et al.		D720,411 S *	12/2014	Rollinson	D21/743
6,988,955 B2	1/2006	Stoakes		D720,412 S *	12/2014	Rollinson	D21/743
6,988,956 B2	1/2006	Cover		D722,350 S	2/2015	Schweigert	
D520,088 S	5/2006	Parr		D722,351 S	2/2015	Parsons et al.	
D531,242 S	10/2006	Adams		D722,352 S	2/2015	Nicolette et al.	
7,125,341 B1	10/2006	D'Eath		D723,120 S	2/2015	Nicolette	
D532,067 S	11/2006	Soracco		D724,164 S	3/2015	Schweigert et al.	
D532,468 S *	11/2006	Hettinger	D21/743	D725,208 S *	3/2015	Schweigert	D21/743
7,153,220 B2	12/2006	Lo		D726,265 S	4/2015	Nicolette	
D534,595 S	1/2007	Hasebe		D726,846 S *	4/2015	Schweigert	D21/743
7,156,752 B1	1/2007	Bennett		D730,462 S	5/2015	Becktor	
D536,401 S	2/2007	Kawami		D732,122 S	6/2015	Becktor	
D536,403 S	2/2007	Kawami		D732,618 S	6/2015	Nivanh	
D538,371 S	3/2007	Kawami		D733,234 S	6/2015	Nicolette	
7,204,765 B2	4/2007	Cover		D738,447 S *	9/2015	Schweigert	D21/736
D542,869 S	5/2007	Adams		D738,449 S	9/2015	Schweigert	
D543,598 S	5/2007	Kuan et al.		D739,487 S	9/2015	Schweigert	
D543,601 S	5/2007	Kawami		D741,426 S	10/2015	Schweigert	
D555,219 S	11/2007	Lin		D748,213 S	1/2016	Parsons et al.	
D556,277 S	11/2007	Broom		D748,215 S	1/2016	Parsons et al.	
7,309,297 B1	12/2007	Solari		D753,252 S	4/2016	Schweigert	
D561,854 S	2/2008	Morris		D759,173 S *	6/2016	Rollinson	D21/743
7,331,876 B2	2/2008	Klein		D762,274 S *	7/2016	Cardani	D21/759
7,351,162 B2	4/2008	Soracco		D763,382 S *	8/2016	Cardani	D21/759
D569,461 S	5/2008	Morris		D765,198 S *	8/2016	Cardani	D21/759
D569,930 S	5/2008	Nehrbas		D768,247 S *	10/2016	Rollinson	D21/744
7,396,289 B2	7/2008	Soracco		D779,006 S *	2/2017	Abbott	D21/744
D577,086 S	8/2008	Nicolette et al.		D796,603 S *	9/2017	Serrano	D21/744
D577,085 S	9/2008	Nicolette et al.		D802,073 S *	11/2017	Toulon	D21/759
D579,506 S	10/2008	Nicolette et al.		D812,163 S *	3/2018	Kroloff	D21/736
D579,995 S	11/2008	Nicolette et al.		D826,353 S *	8/2018	Cameron	D21/736
D582,497 S	12/2008	Rollinson		10,173,105 B2 *	1/2019	Myers	A63B 53/0487
7,473,189 B2	1/2009	Schweigert		D860,353 S *	9/2019	Rollinson	D21/743
7,491,131 B2	2/2009	Vinton		10,441,858 B2 *	10/2019	Schweigert	A63B 53/065
D590,463 S *	4/2009	Hettinger	D21/743	10,493,331 B2 *	12/2019	Kroloff	A63B 53/0433
D595,793 S	7/2009	Rollinson		D872,816 S *	1/2020	Parsons	D21/736
D599,425 S	9/2009	Laub		D873,358 S *	1/2020	Lee	D21/744
D600,762 S *	9/2009	Serrano	D21/743	D879,223 S *	3/2020	Serrano	D21/742
D600,763 S	9/2009	Cameron		D879,895 S *	3/2020	Schweigert	D21/759
D603,007 S *	10/2009	Franklin	D21/736	10,646,758 B2 *	5/2020	Schweigert	A63B 60/02
7,744,485 B2	6/2010	Jones		D892,955 S *	8/2020	Clarke	D21/744
D620,993 S	8/2010	Laub		D895,747 S *	9/2020	Rollinson	D21/743
D621,461 S	8/2010	Serrano		D896,903 S *	9/2020	Schweigert	D21/743
D623,709 S	9/2010	Serrano et al.		D898,846 S *	10/2020	Clarke	D21/743
D631,925 S	2/2011	Broom		D898,847 S *	10/2020	Clarke	D21/743
7,887,432 B2	2/2011	Jones		2004/0138003 A1	7/2004	Grace	
D634,801 S *	3/2011	Rollinson	D21/743	2004/0180730 A1	9/2004	Franklin	
7,909,707 B2	3/2011	Klein		2006/0052178 A1	3/2006	Franklin	
D635,625 S *	4/2011	Rollinson	D21/743	2006/0094522 A1	5/2006	Tang	
7,918,745 B2	4/2011	Morris		2006/0176672 A1	8/2006	Roach	
D636,891 S	5/2011	Nicolette et al.		2006/0223649 A1	10/2006	Rife	
D638,891 S *	5/2011	Nicolette	D21/736	2007/0129163 A1	6/2007	Solari	
7,942,758 B2	5/2011	Nakamura		2007/0135229 A1	6/2007	Lo	
D642,643 S	8/2011	Nicolette et al.		2007/0142122 A1	6/2007	Bonneau	
D643,485 S	8/2011	Nicolette et al.		2007/0207875 A1	9/2007	Kuan	
D644,703 S *	9/2011	Serrano	D21/743	2007/0238548 A1	10/2007	Johnson	
D645,104 S	9/2011	Nicolette et al.		2008/0139333 A1	6/2008	Klein	
D648,408 S *	11/2011	Teramoto	D21/743	2008/0146372 A1	6/2008	John	
8,096,039 B2	1/2012	Soracco		2009/0029800 A1	1/2009	Jones	
D653,718 S	2/2012	Stokke et al.		2010/0255922 A1	10/2010	Lueders	
D661,753 S	6/2012	Cameron et al.		2011/0165959 A1	7/2011	Klein	
D661,754 S *	6/2012	Cameron	D21/759	2013/0165256 A1	6/2013	Stevenson	
D666,260 S	8/2012	Cynn		2013/0210537 A1	8/2013	Ainscough	
8,371,958 B2 *	2/2013	Treadwell	A63B 53/04 473/331	2015/0057100 A1	2/2015	Serrano	
8,376,878 B2	2/2013	Bennett		2015/0258390 A1	9/2015	Defrancesco, Jr.	
D688,339 S	8/2013	Hilton et al.					

2015/0306477 A1 10/2015 Parsons
 2016/0016050 A1 1/2016 Rife
 2018/0001163 A1 1/2018 Becktor

FOREIGN PATENT DOCUMENTS

JP	2004223184	A	8/2004
JP	2005160691		6/2005
JP	101773069	B1	5/2016
KR	200377377	Y1	3/2005
KR	200403045	Y1	12/2005
KR	20100065481	A	6/2010

OTHER PUBLICATIONS

U.S. Appl. No. 29/523,587, Schweigert, "Golf Club Head," filed Apr. 10, 2015.

TourSpecGolf (Gold's Factory Multi Weighted Custom Putter) [online]. Nov. 20, 2010 [retrieved Apr. 26, 2016] Retrieved from the internet: <URL: <http://www.tourspecgolf.com/blog/golds-factory-multi-weighted-custom-putter/>>.

Plugged In Golf (2015 Bettinardi Putters Review) [online]. Mar. 3, 2015 [retrieve Nov. 25, 2019] Retrieve from the Internet: <URL: <https://pluggedingolf.com/2015-bettinardi-putters-review/>>.

* cited by examiner

Primary Examiner — Mitchell I. Siegel

(57) **CLAIM**

The ornamental design for a golf club head, as shown and described.

DESCRIPTION

FIG. 1 is a top perspective view of a golf club head;
 FIG. 2 is a bottom perspective view of the golf club head of FIG. 1;

FIG. 3 is a front elevational view of the golf club head of FIG. 1;

FIG. 4 is a rear elevational view of the golf club head of FIG. 1;

FIG. 5 is a top view of the golf club head of FIG. 1;

FIG. 6 is a bottom view of the golf club head of FIG. 1;

FIG. 7 is a left side view of the golf club head of FIG. 1;

FIG. 8 is a right side view of the golf club head of FIG. 1;

FIG. 9 is a top perspective view of a second embodiment of a golf club head;

FIG. 10 is a bottom perspective view of the golf club head of FIG. 9;

FIG. 11 is a front elevational view of the golf club head of FIG. 9;

FIG. 12 is a rear elevational view of the golf club head of FIG. 9;

FIG. 13 is a top view of the golf club head of FIG. 9;

FIG. 14 is a bottom view of the golf club head of FIG. 9;

FIG. 15 is a left side view of the golf club head of FIG. 9;

FIG. 16 is a right side view of the golf club head of FIG. 9;

FIG. 17 is a top perspective view of a golf club head;

FIG. 18 is a bottom perspective view of the golf club head of FIG. 17;

FIG. 19 is a front elevational view of the golf club head of FIG. 17;

FIG. 20 is a rear elevational view of the golf club head of FIG. 17;

FIG. 21 is a top view of the golf club head of FIG. 17;

FIG. 22 is a bottom view of the golf club head of FIG. 17;

FIG. 23 is a left side view of the golf club head of FIG. 17; and,

FIG. 24 is a right side view of the golf club head of FIG. 17.

The broken lines shown on the drawing figures form no part of the claimed design.

1 Claim, 12 Drawing Sheets

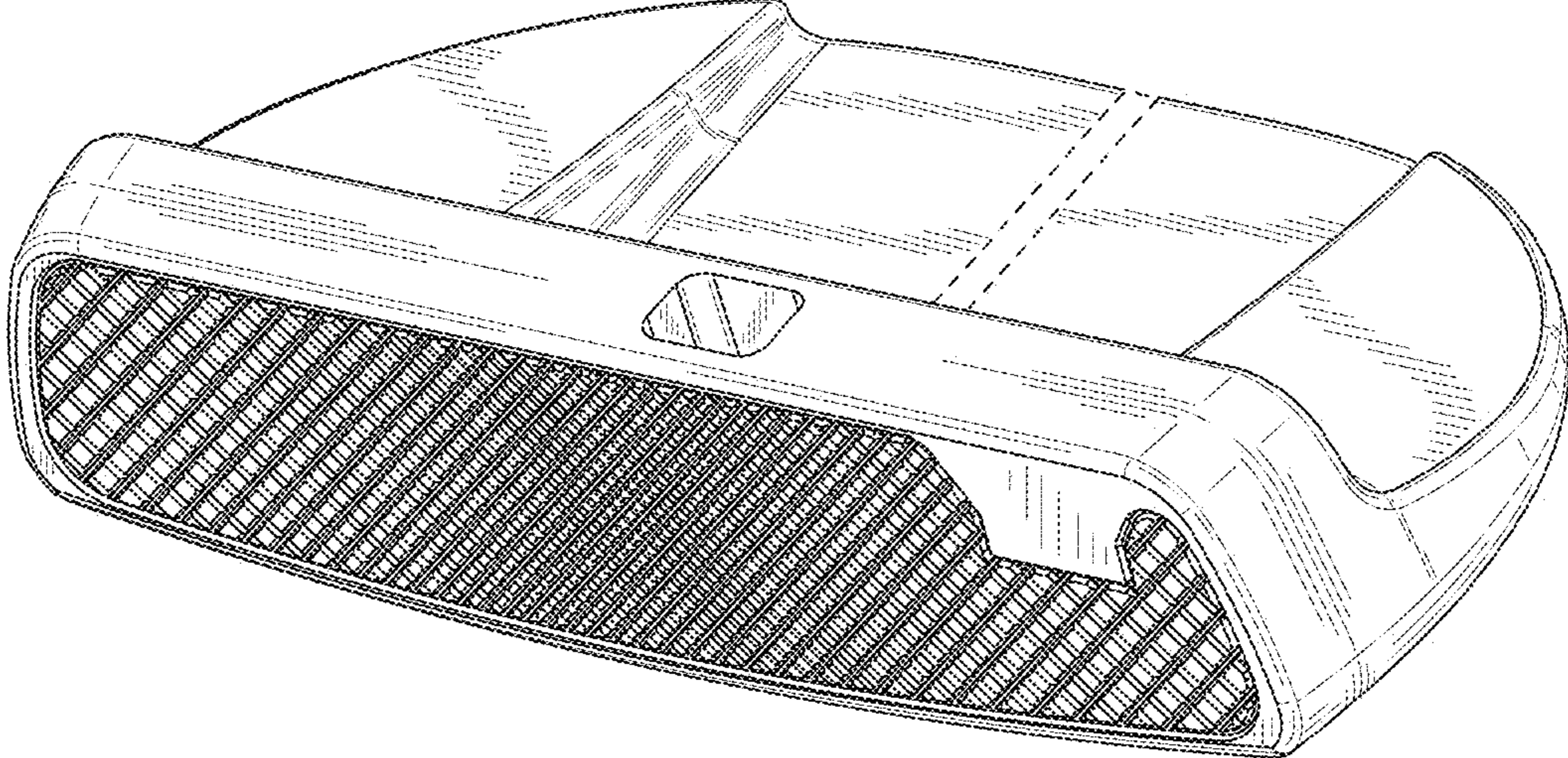


FIG. 1

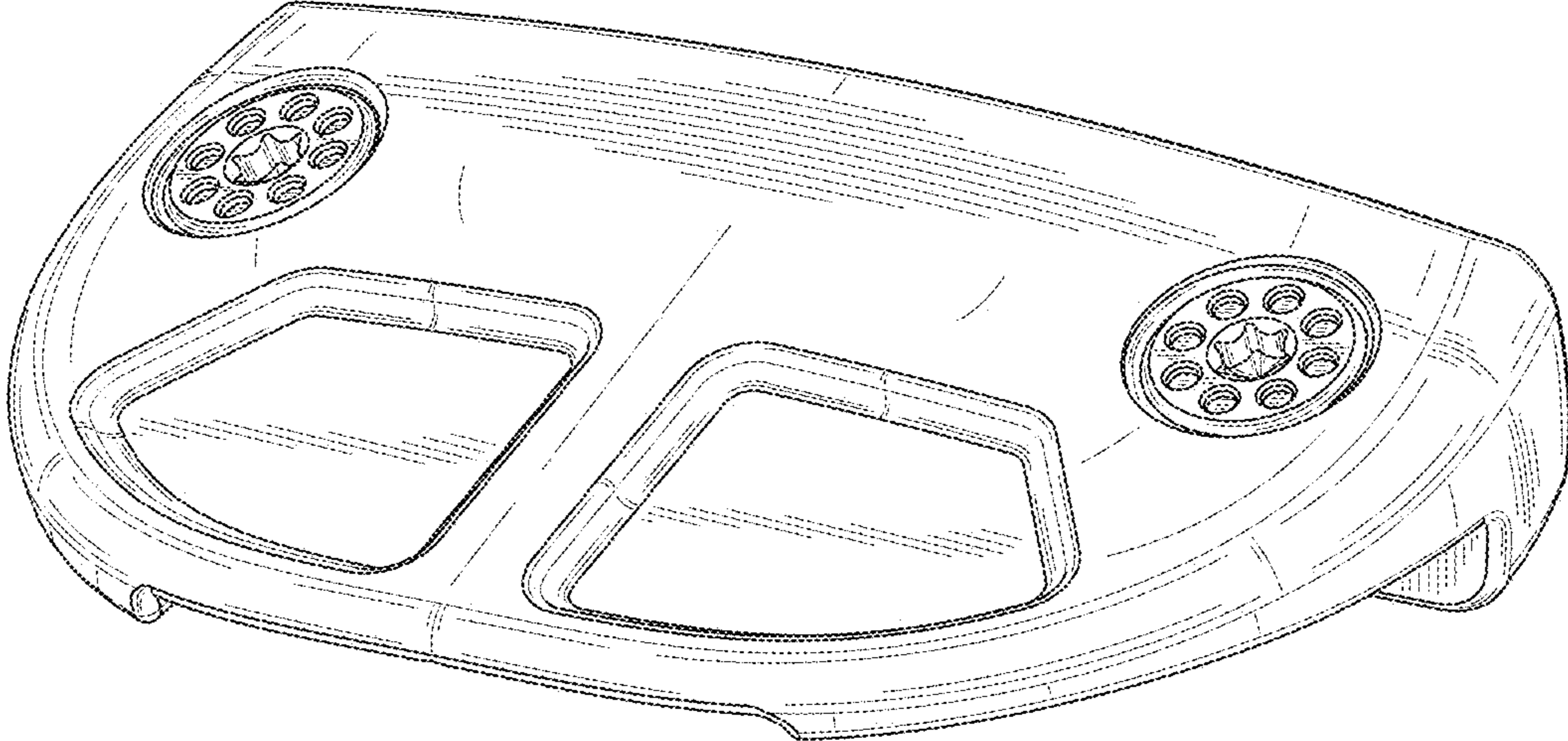


FIG. 2

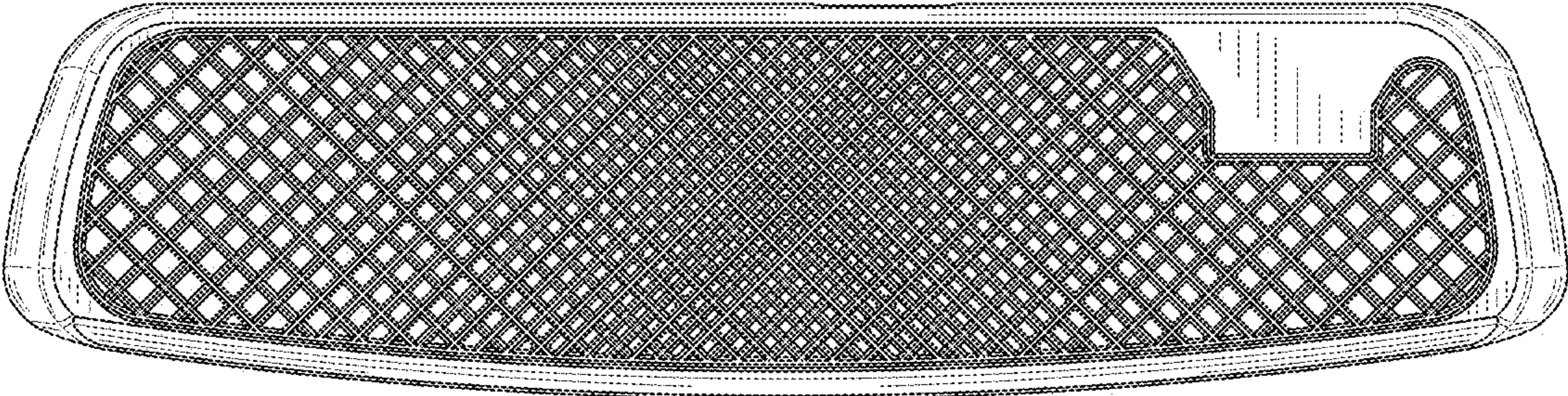


FIG. 3

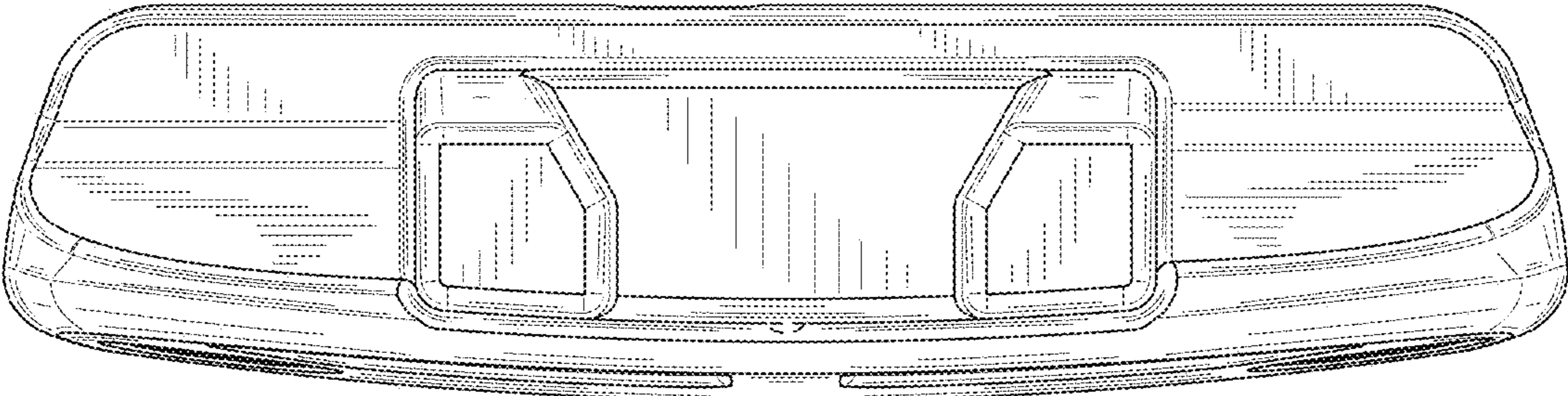


FIG. 4

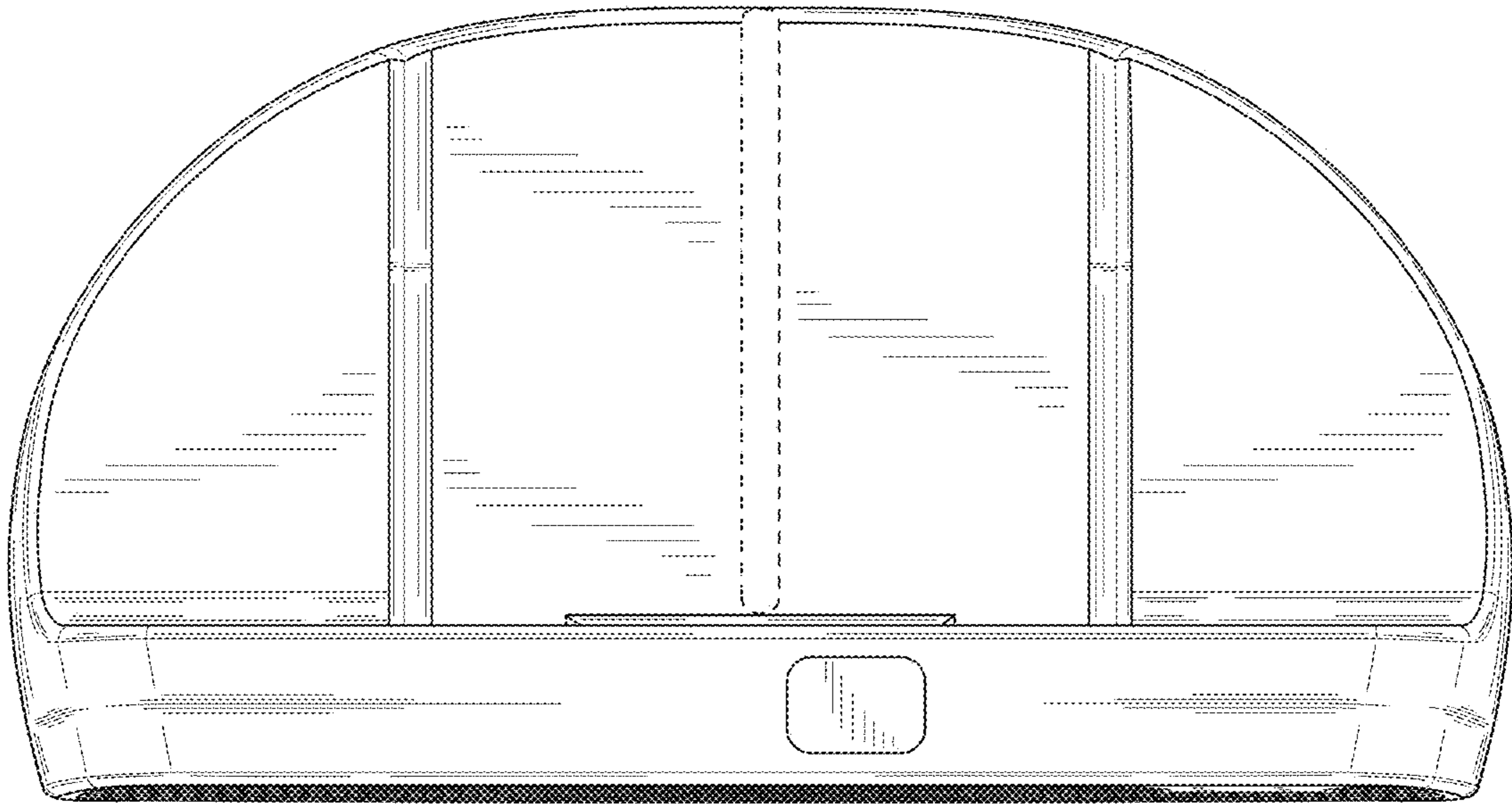


FIG. 5

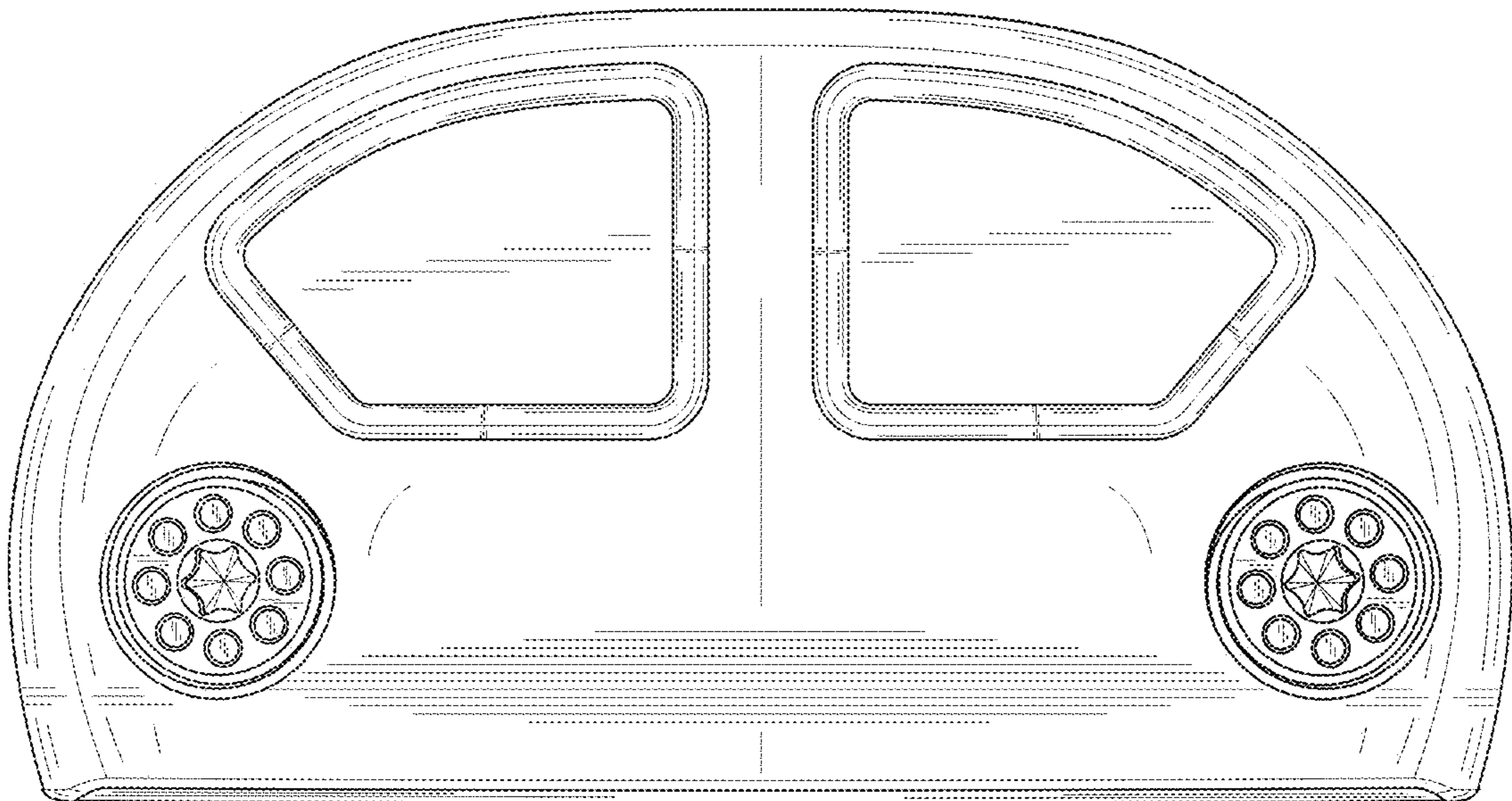


FIG. 6

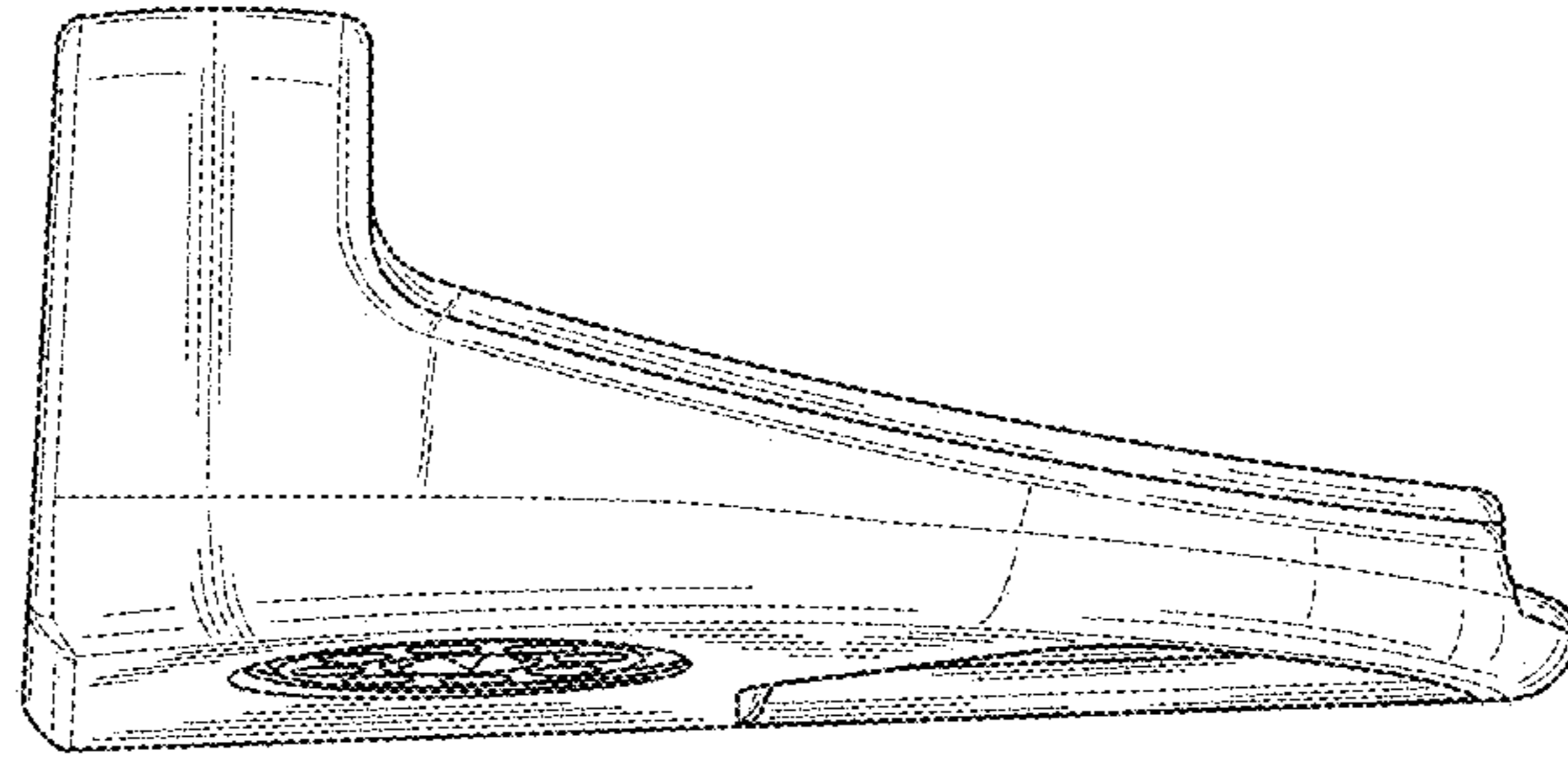


FIG. 7

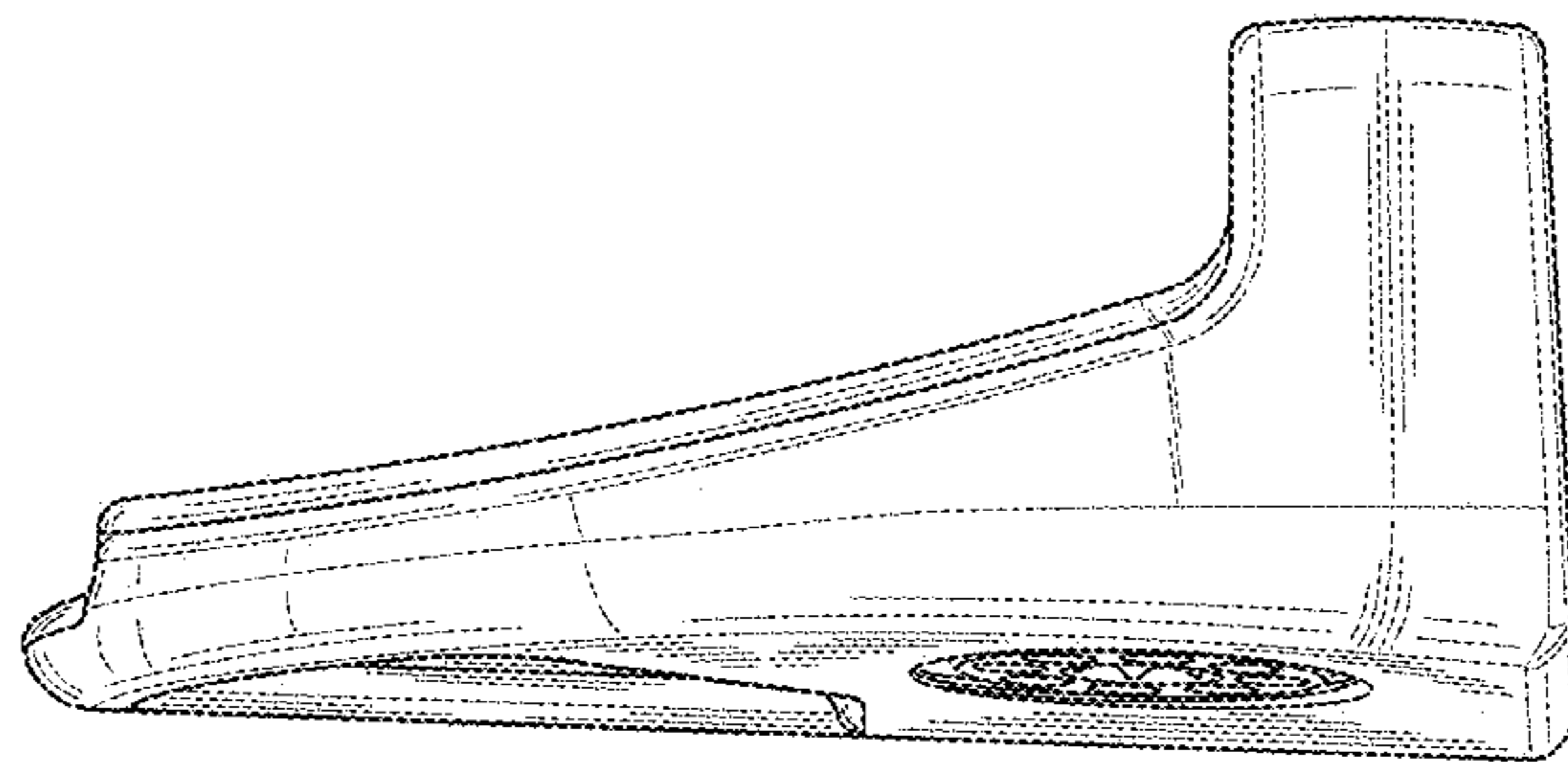


FIG. 8

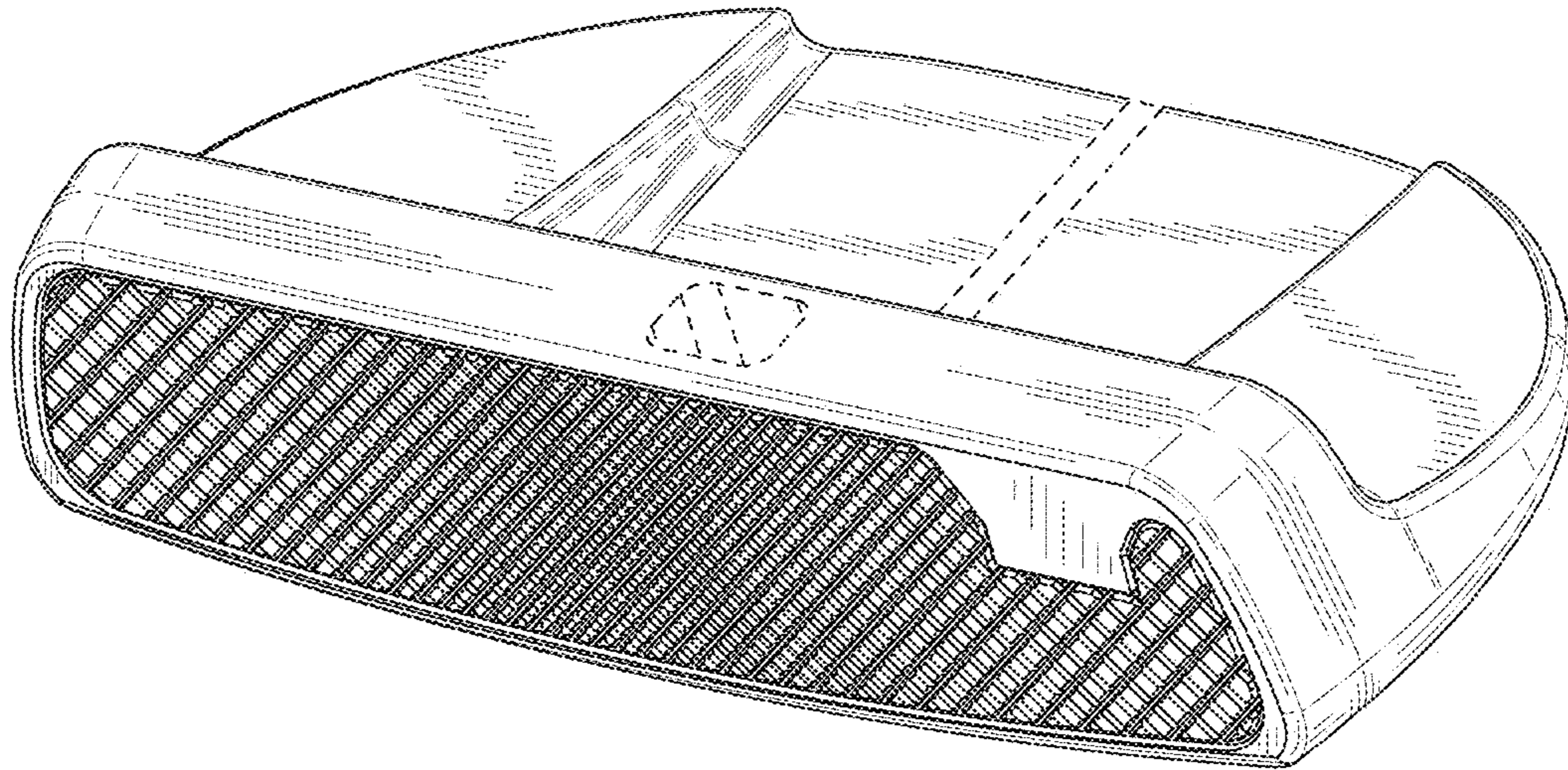


FIG. 9

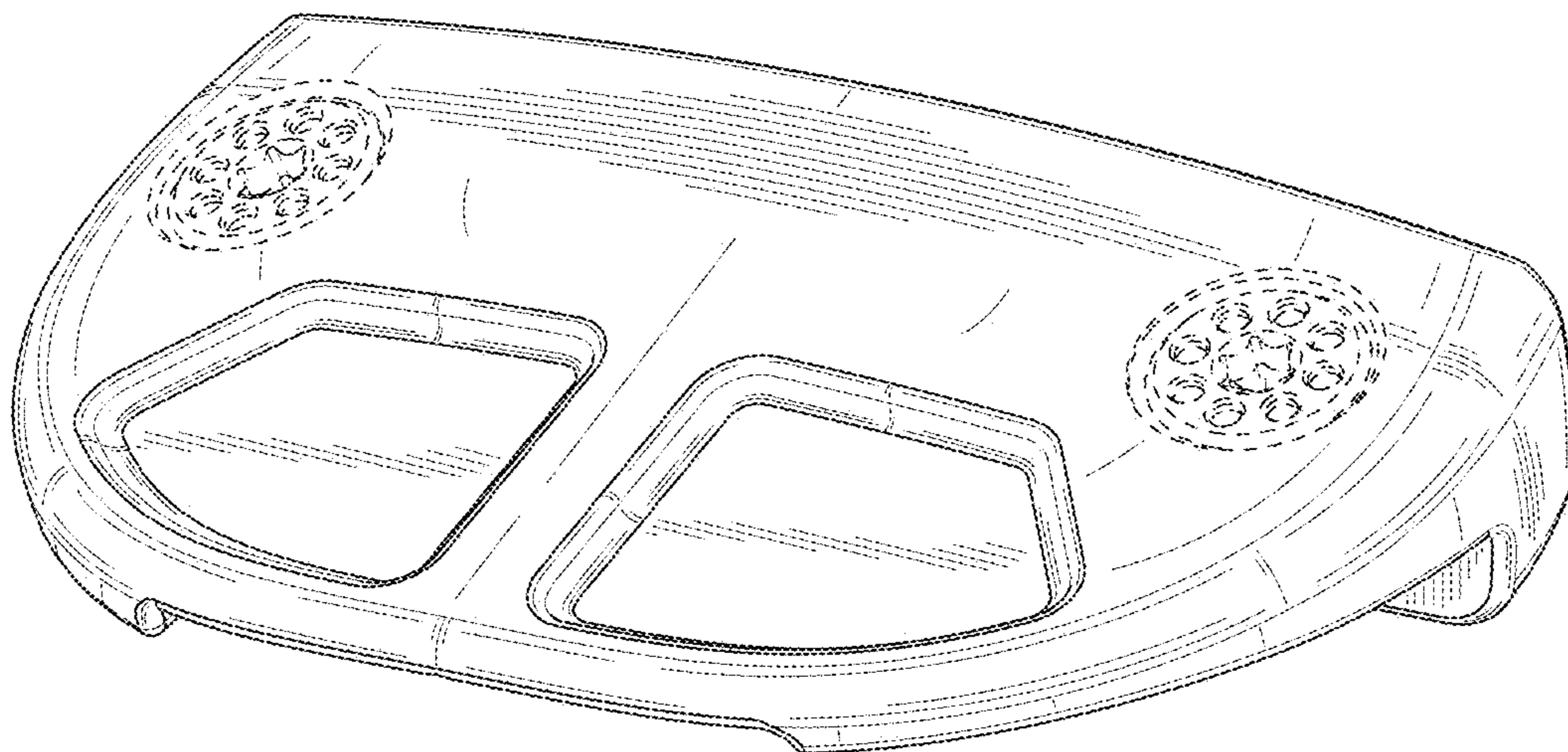


FIG. 10

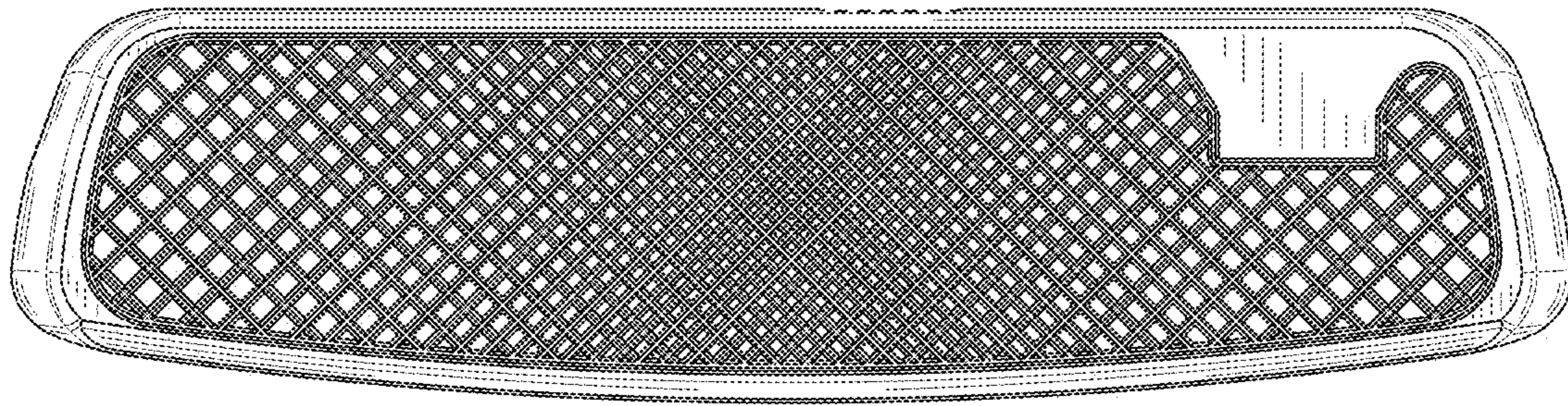


FIG. 11

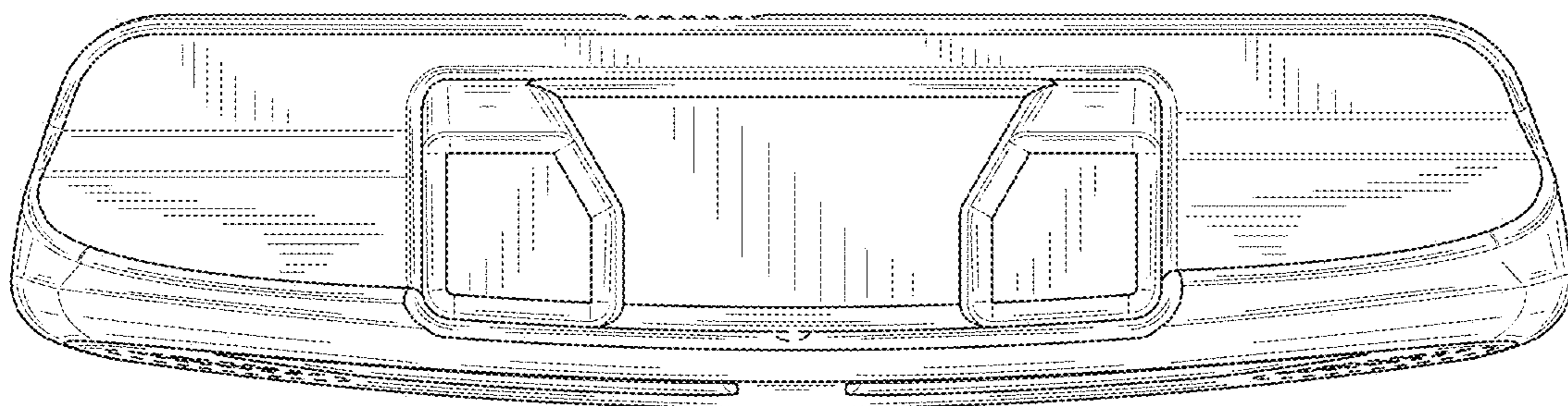


FIG. 12

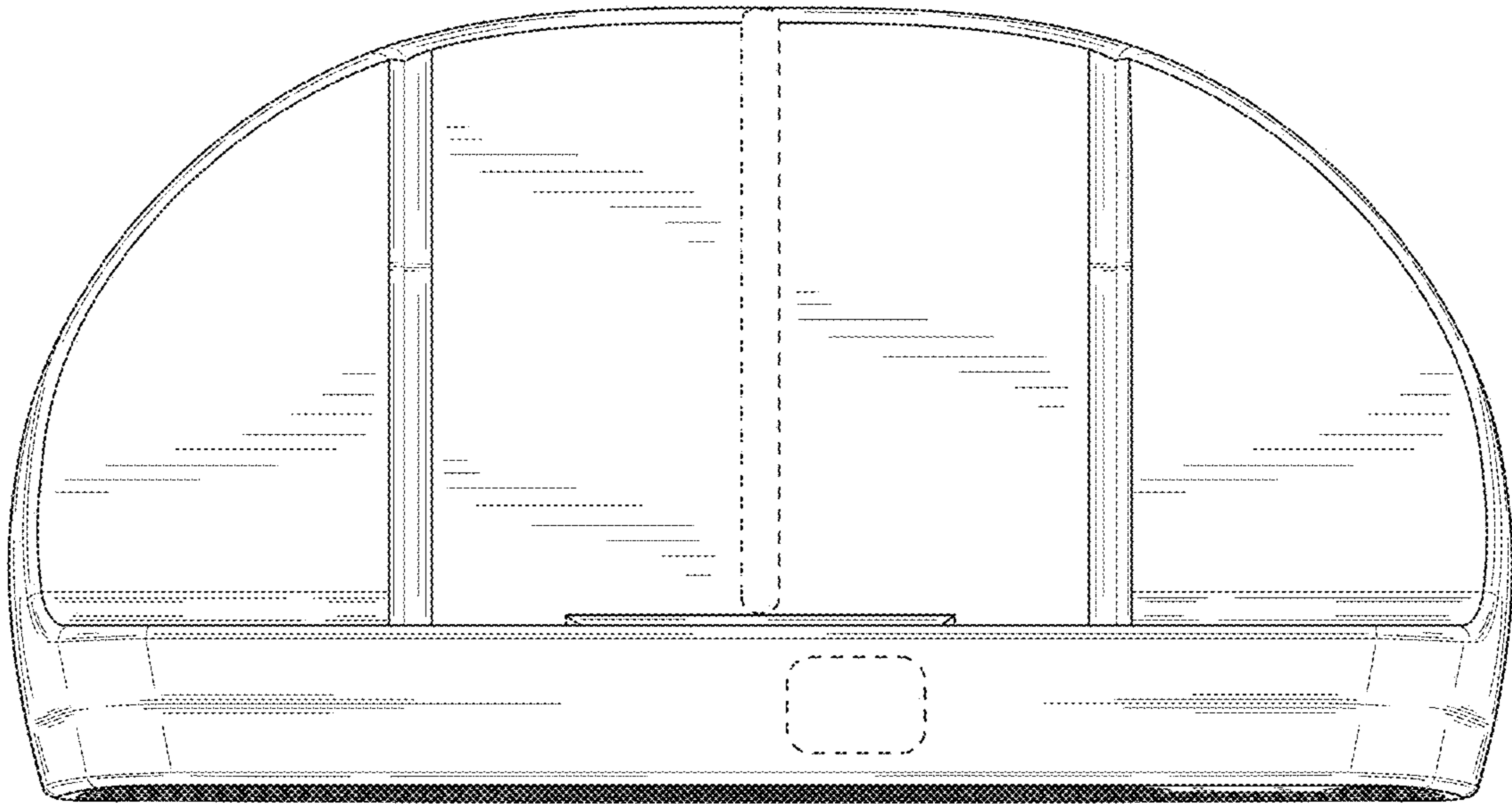


FIG. 13

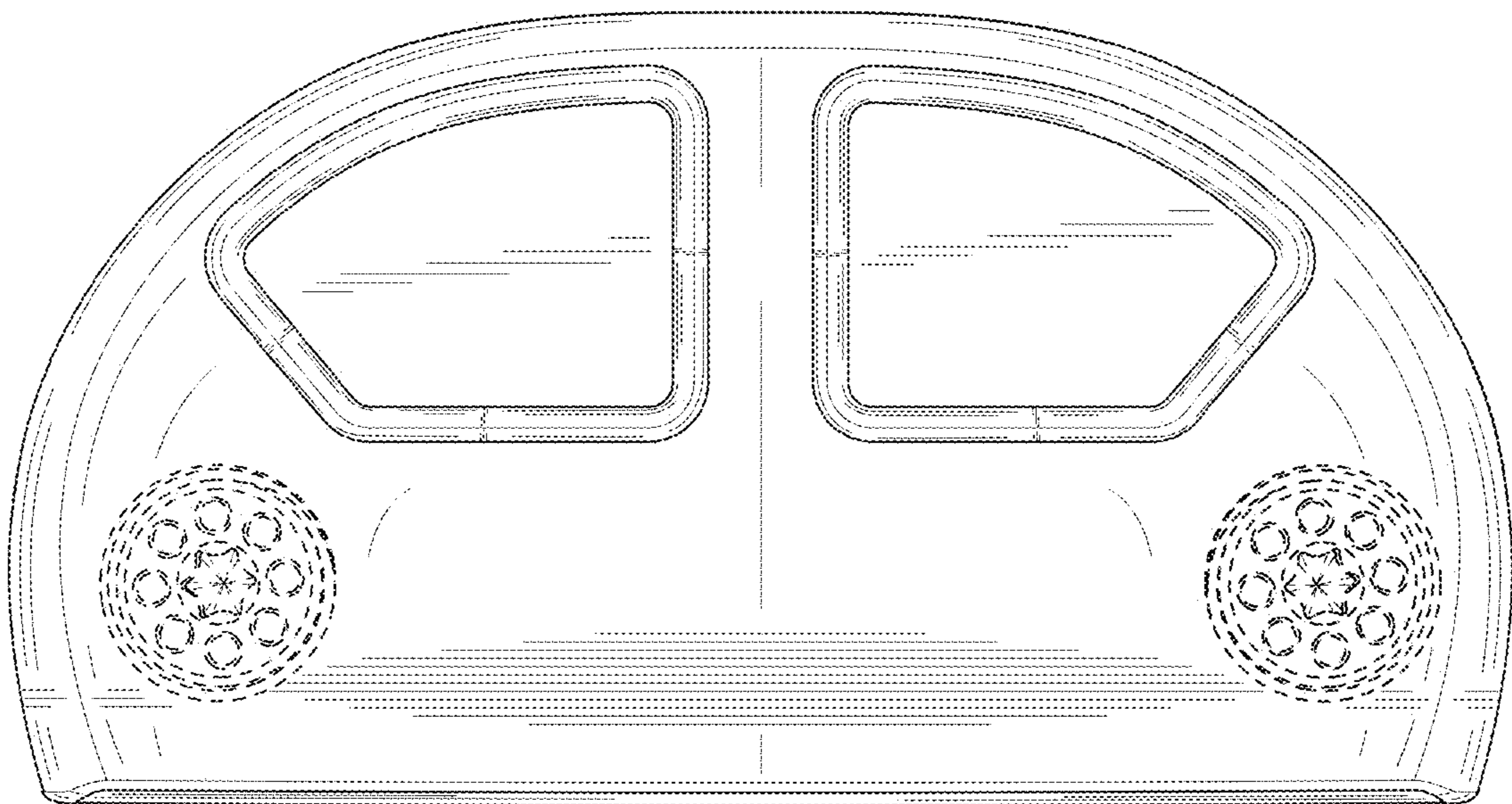


FIG. 14

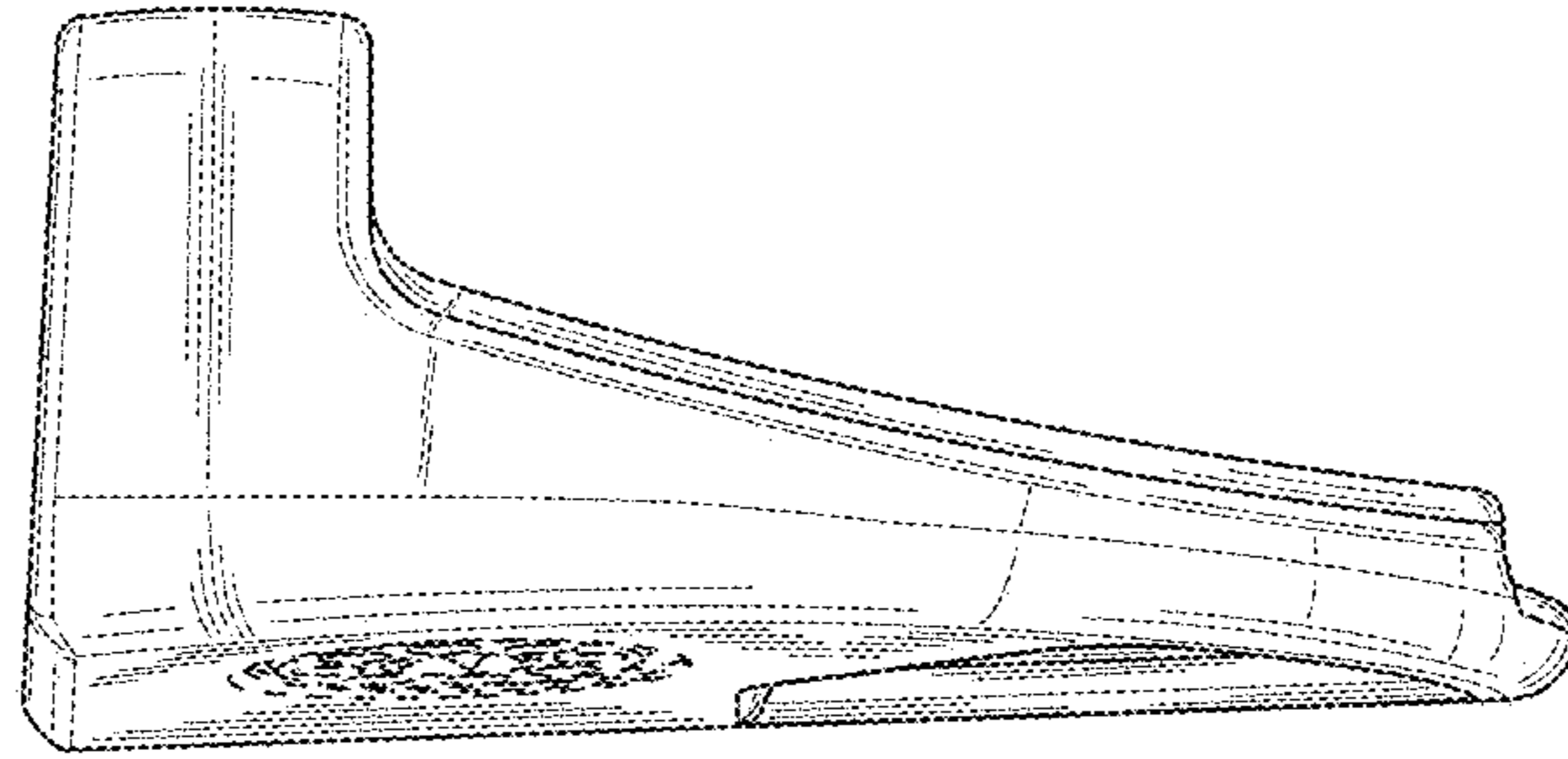


FIG. 15

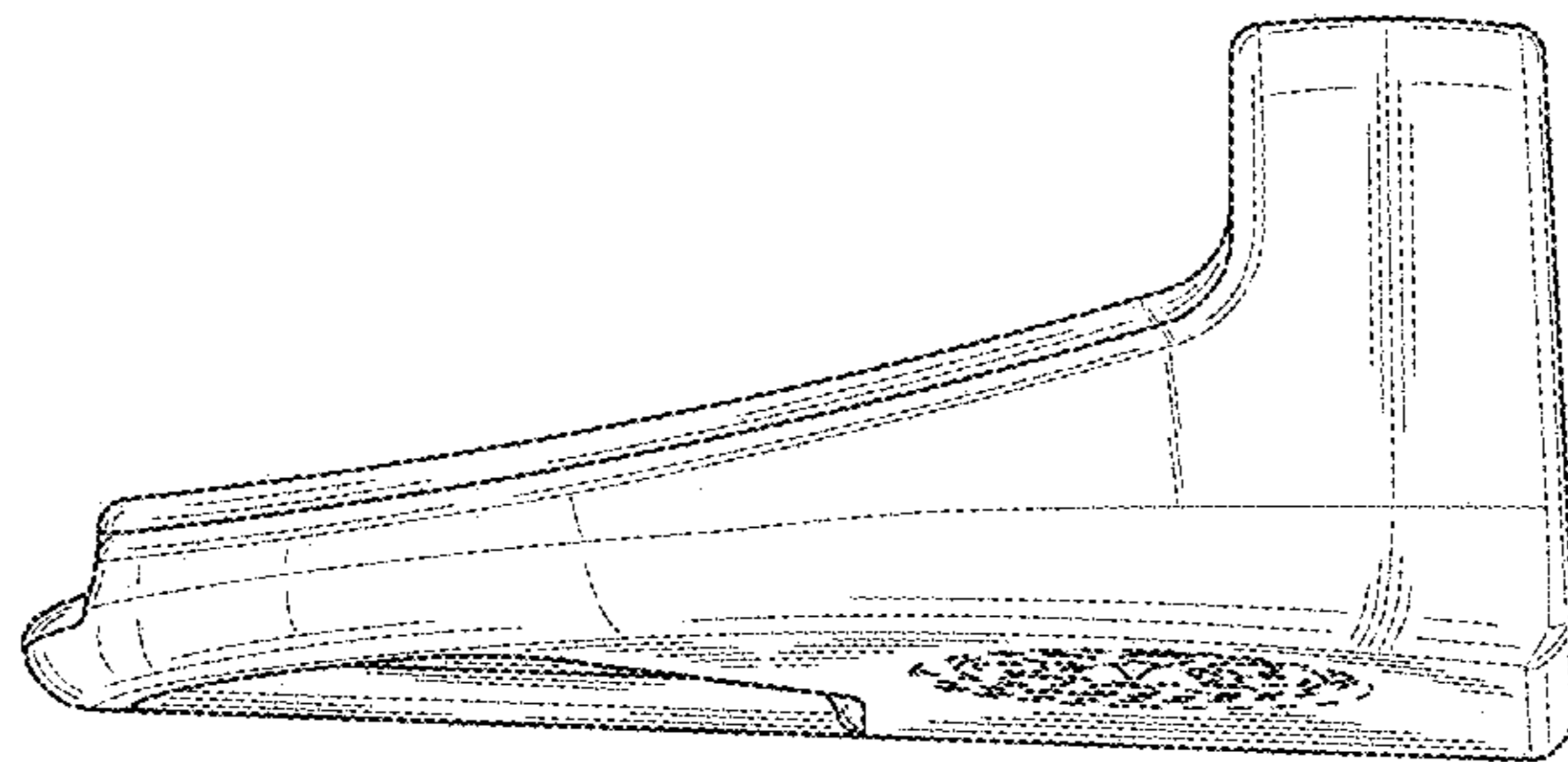


FIG. 16

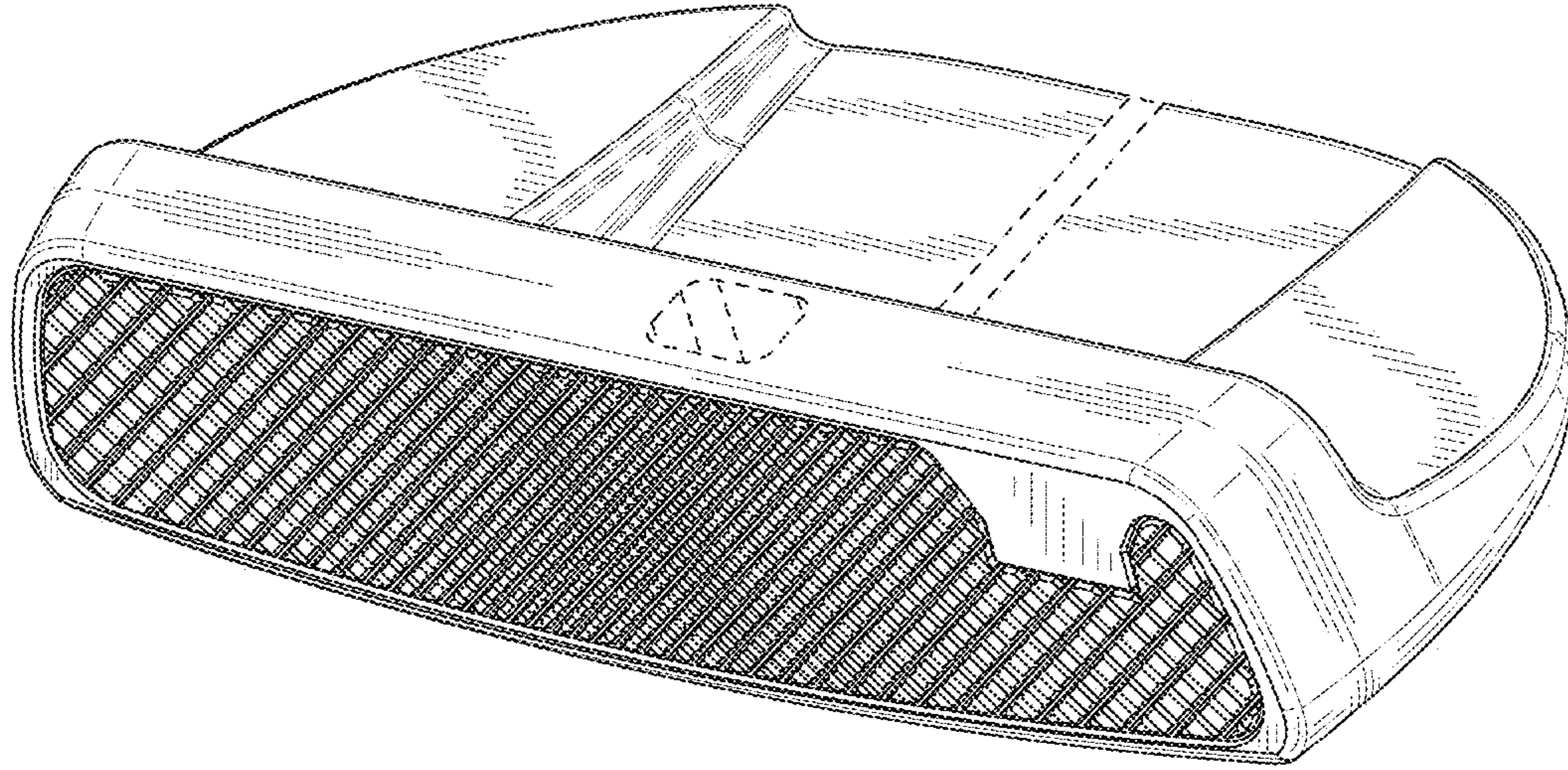


FIG. 17

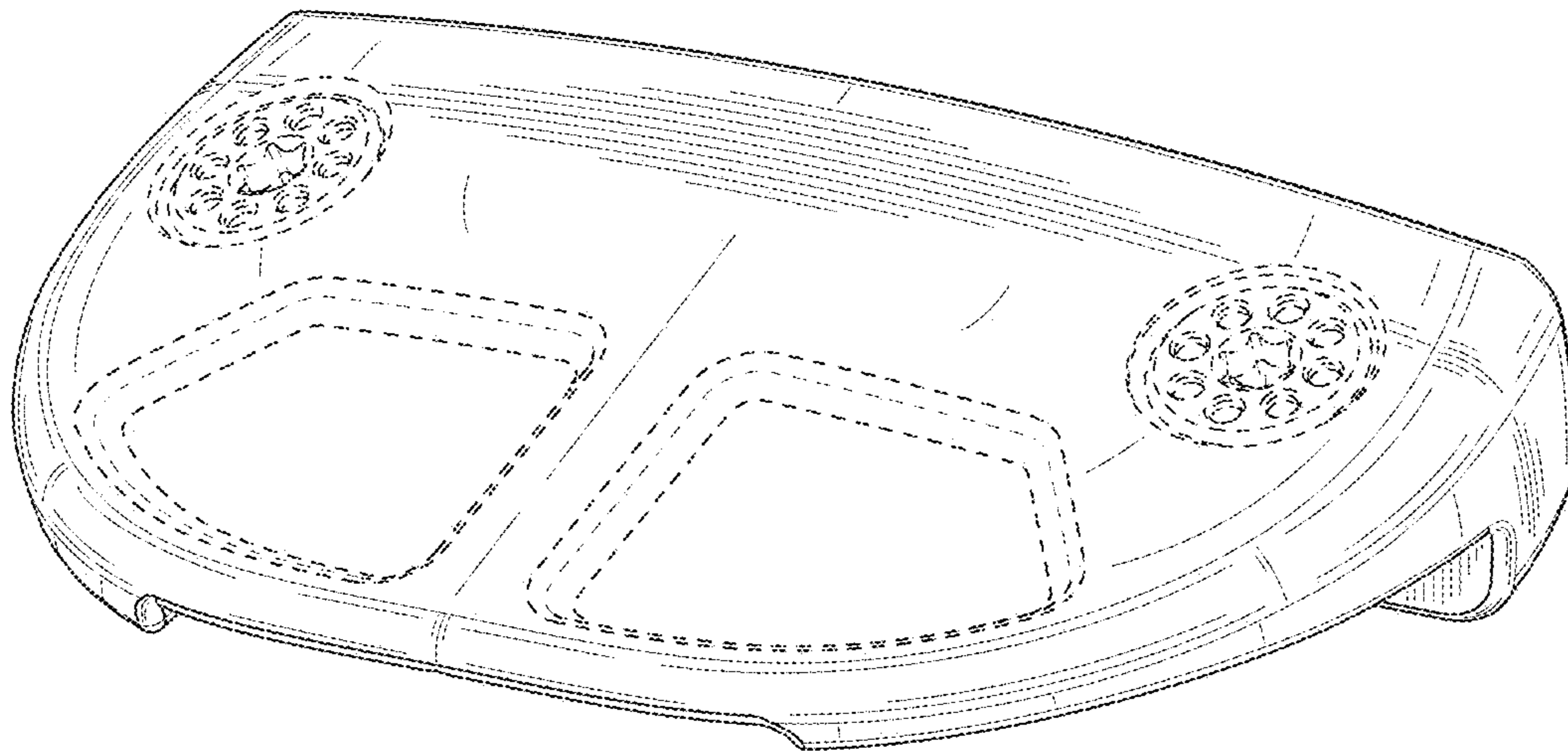


FIG. 18

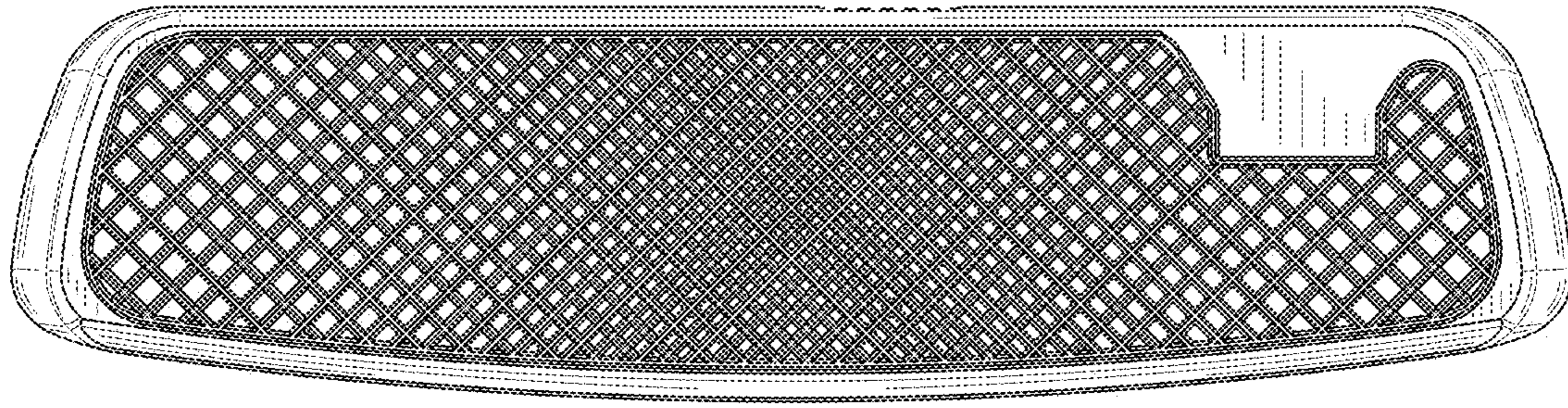


FIG. 19

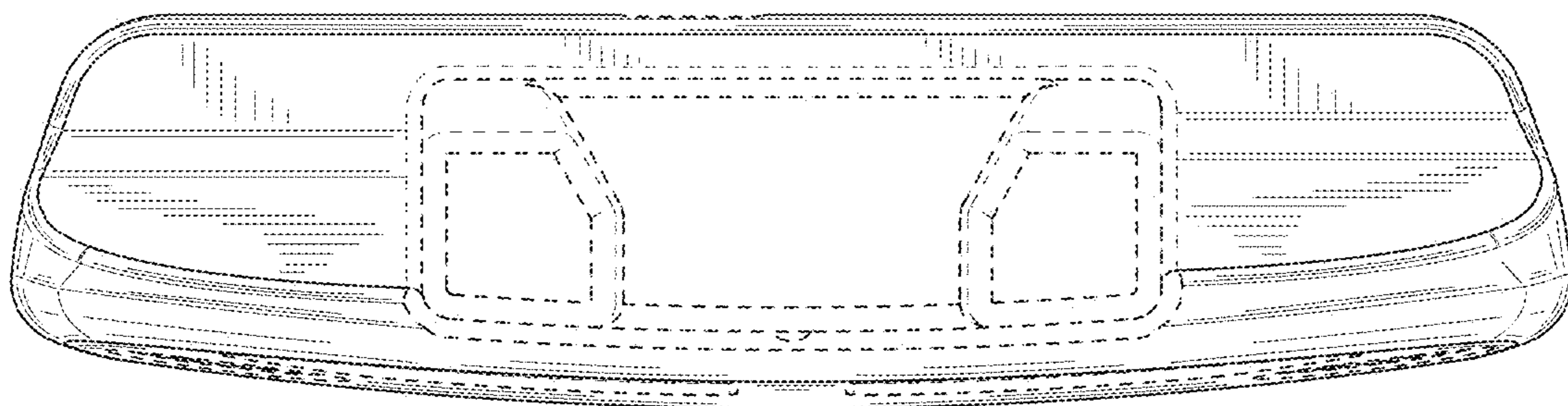


FIG. 20

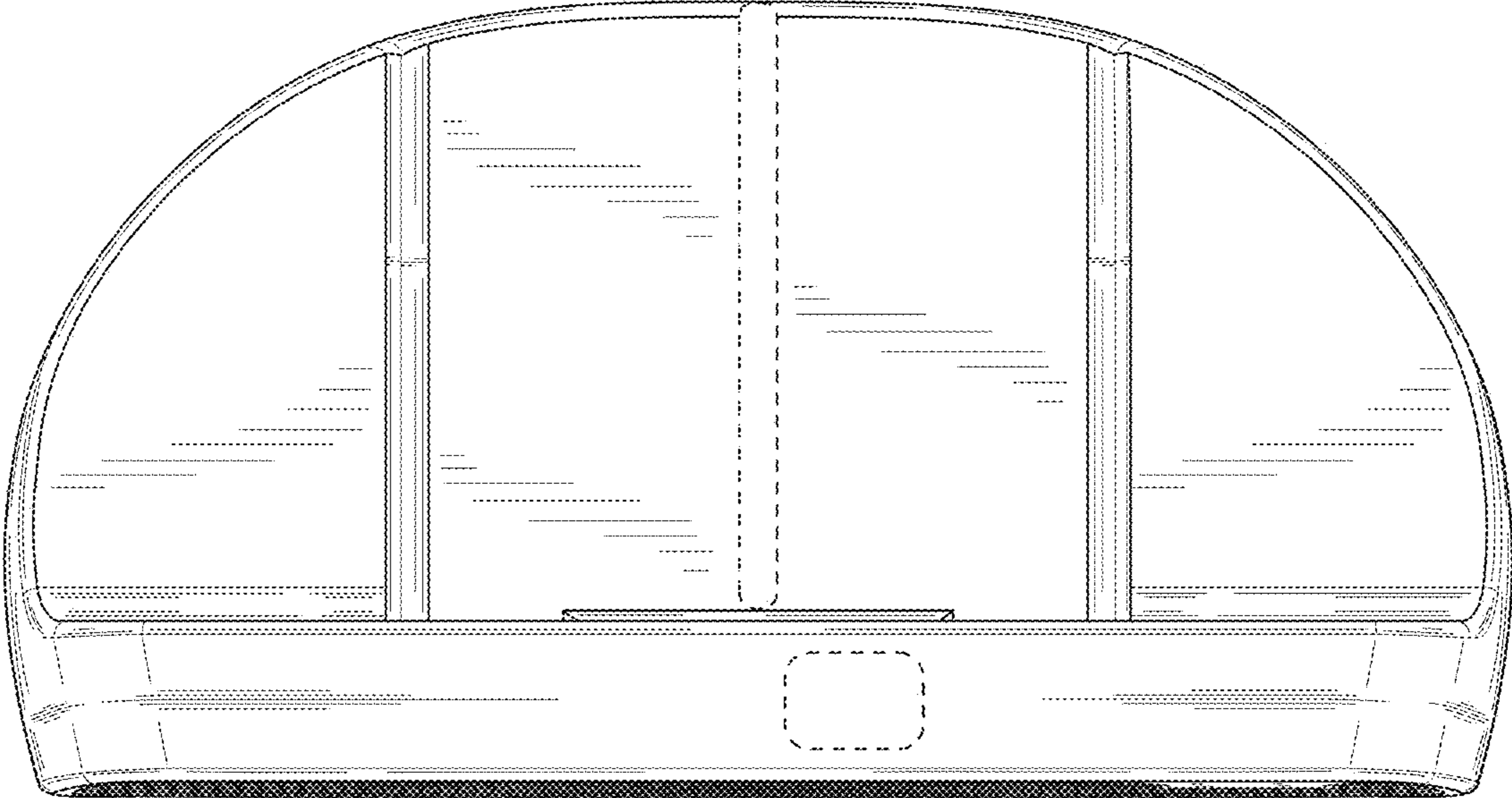


FIG. 21

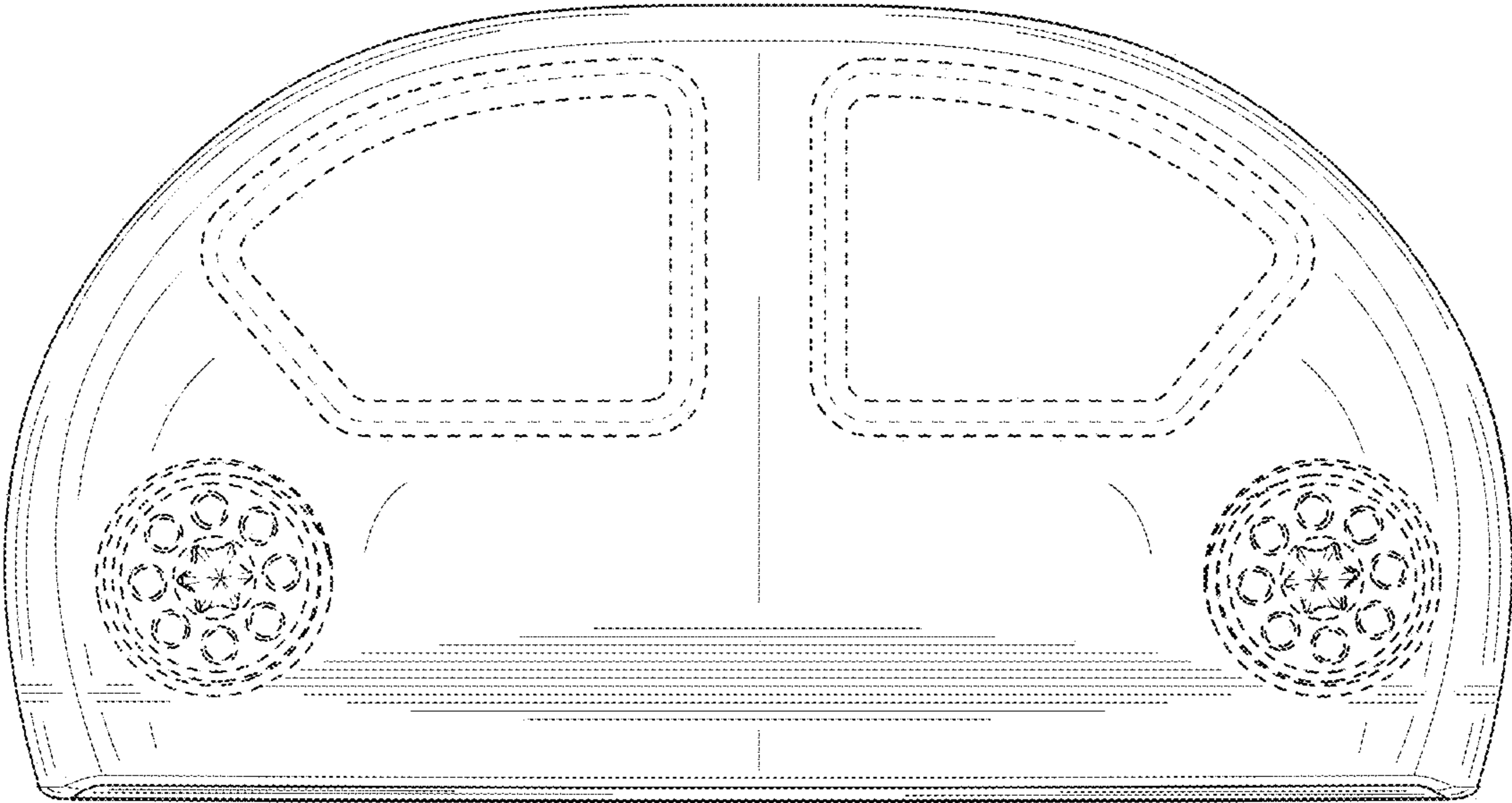


FIG. 22

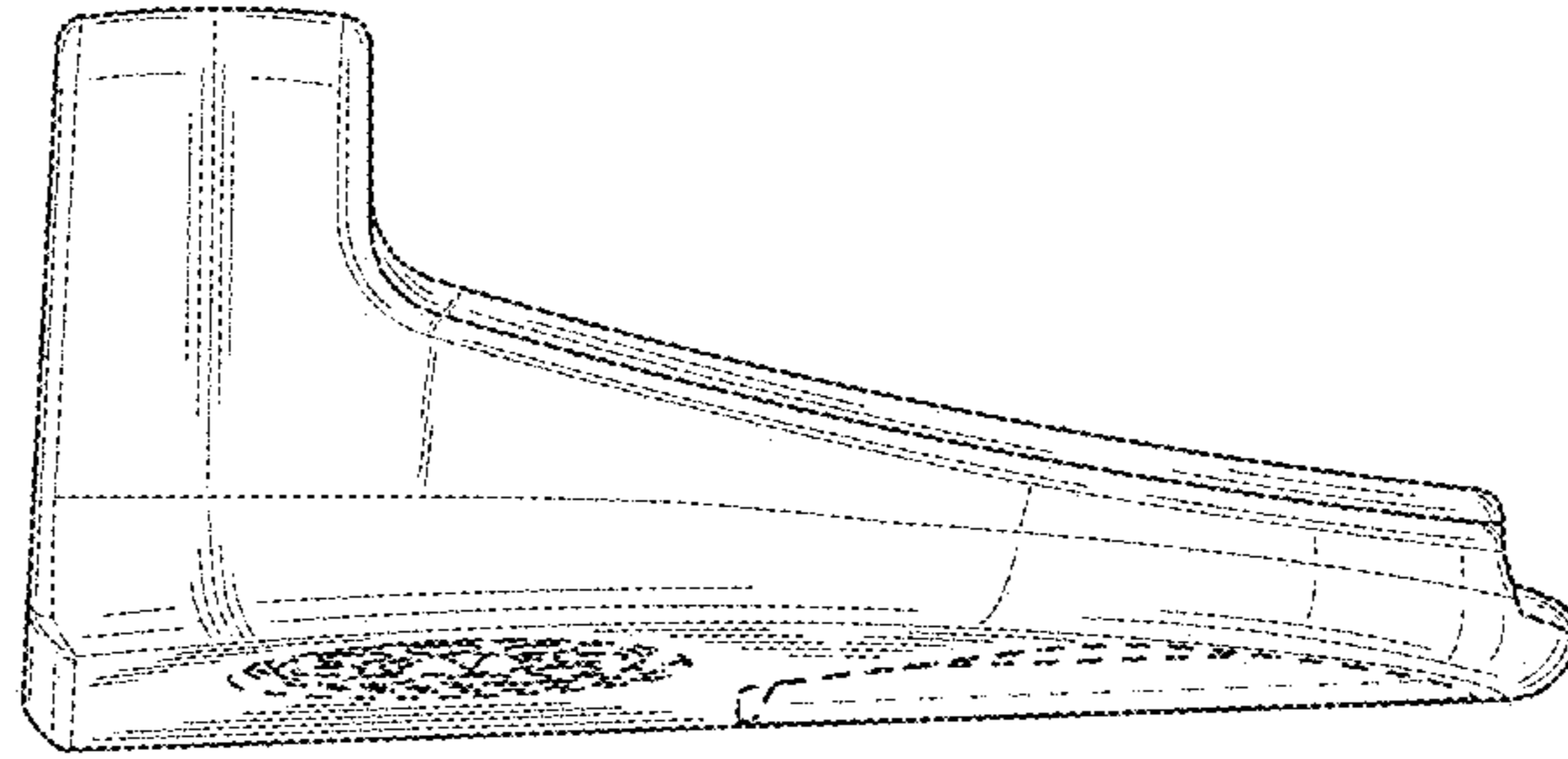


FIG. 23

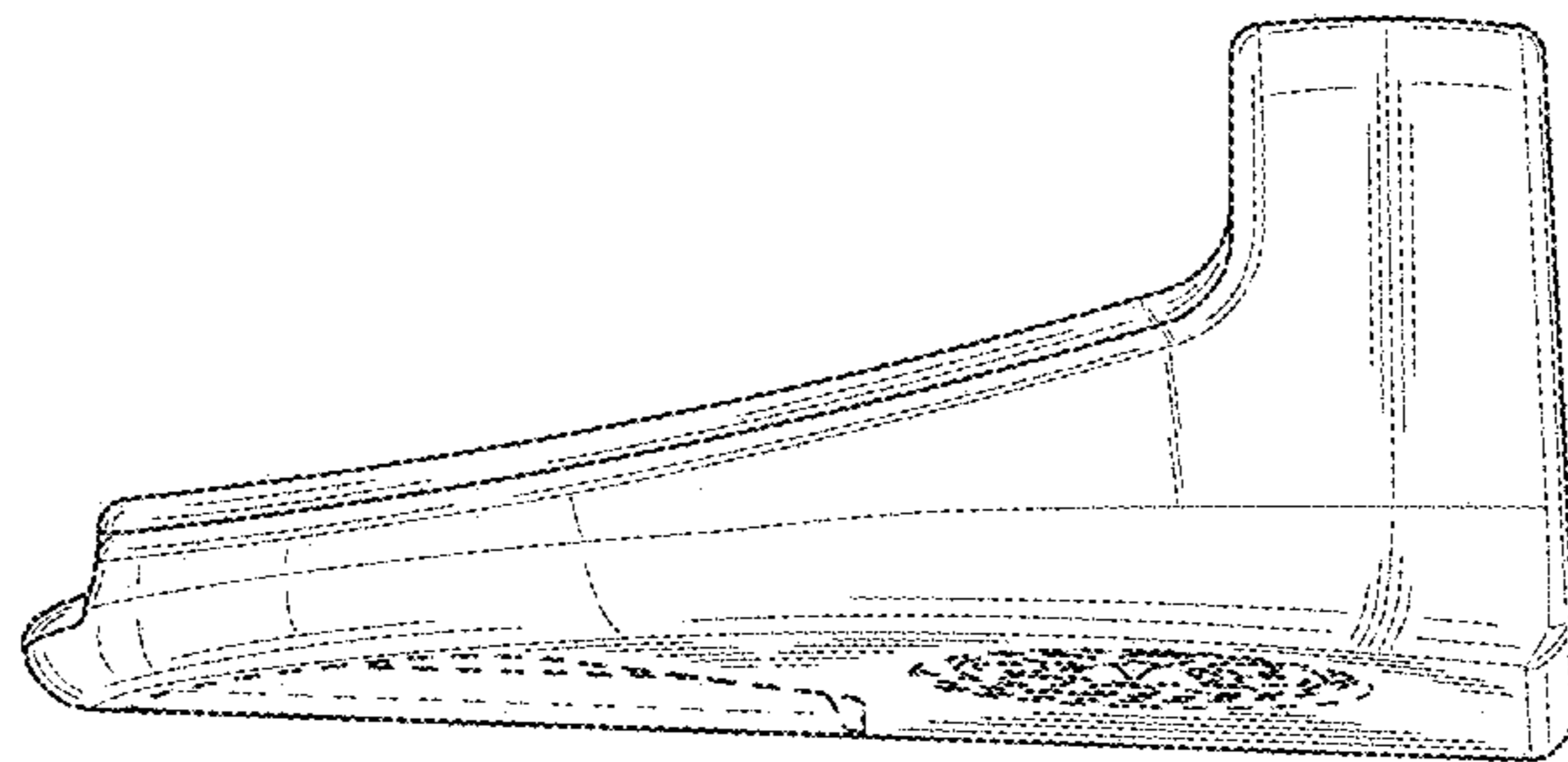


FIG. 24