



US00D924343S

(12) **United States Design Patent** (10) **Patent No.:** **US D924,343 S**
McCudden (45) **Date of Patent:** **** Jul. 6, 2021**

(54) **HOCKEY TRAINING APPARATUS** 6,776,685 B2 * 8/2004 Reisher A63H 18/00
446/444
(71) Applicant: **Kenneth George McCudden,** D495,770 S * 9/2004 Hickey A63C 19/10
Columbus, OH (US) D21/817
7,104,895 B2 * 9/2006 Hickey A63C 19/10
14/69.5
(72) Inventor: **Kenneth George McCudden,**
Columbus, OH (US) (Continued)

(**) Term: **15 Years**

FOREIGN PATENT DOCUMENTS

(21) Appl. No.: **29/717,383**

WO 2012045966 4/2012

(22) Filed: **Dec. 17, 2019**

OTHER PUBLICATIONS

(51) **LOC (13) Cl.** **21-02**
(52) **U.S. Cl.**
USPC **D21/686**
(58) **Field of Classification Search**
USPC D21/686, 703, 715, 765, 817, 818, 727,
D21/707, 702
CPC . A63B 23/0211; A63B 69/0093; A63C 19/10;
A63C 2203/12
See application file for complete search history.

Ramptech ramp, announced 2015 [online], [site visited May 6, 2021]. Available on internet, URL: https://www.amazon.com/Ramptech-Tall-Wide-Quarterpipe-Ramp/dp/B019BH4YD6/ref=sr_1_67?dchild=1&keywords=sports+ramp&qid=1620379814&s=sporting-goods&sr=1-67 (Year: 2015).*

(Continued)

(56) **References Cited**

Primary Examiner — Khawaja Anwar
Assistant Examiner — Julice Seung Eun Oum
(74) *Attorney, Agent, or Firm* — McAndrews, Held & Malloy, Ltd.

U.S. PATENT DOCUMENTS

(57) **CLAIM**

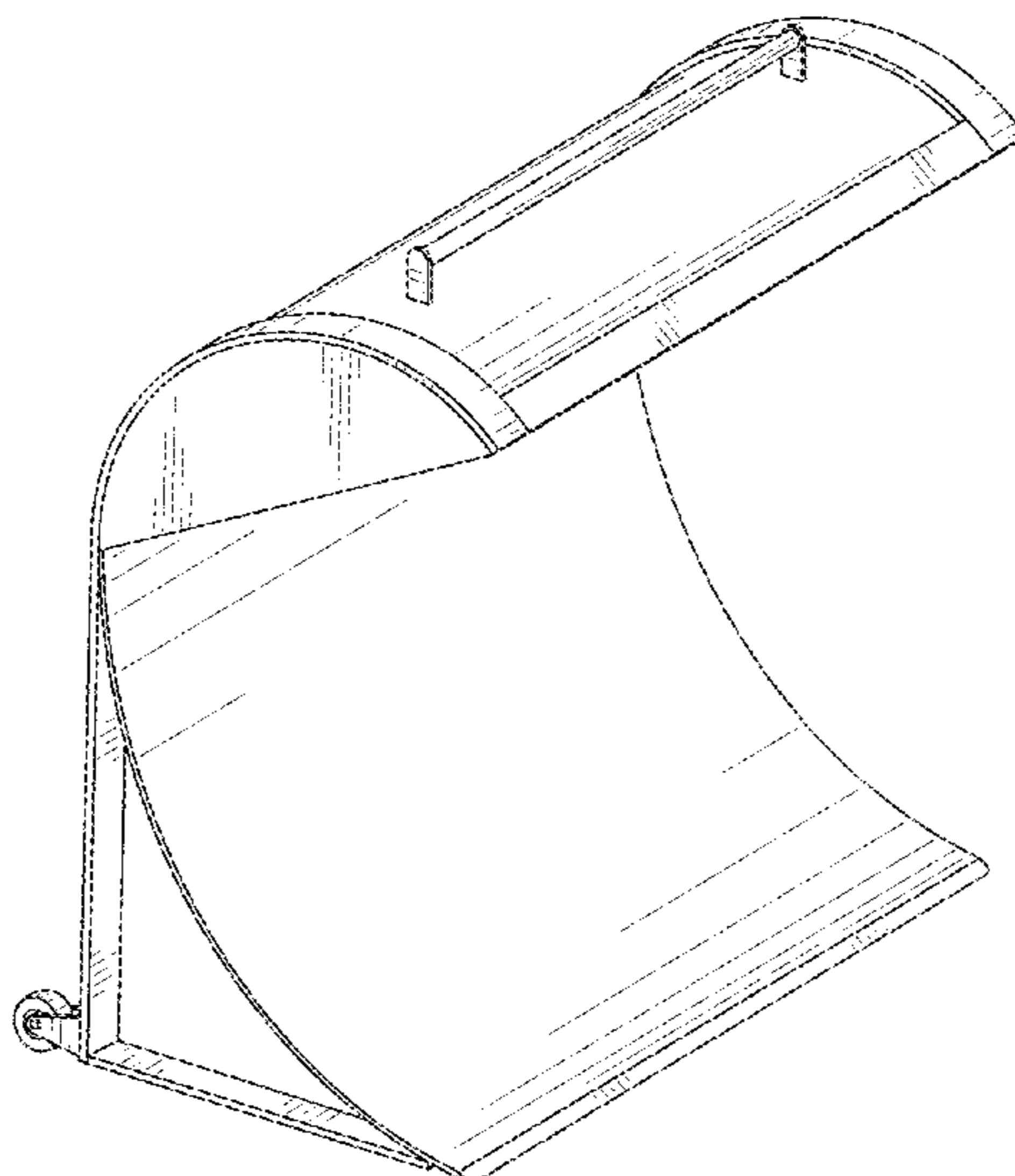
1,658,097 A 2/1928 Pierce
1,689,475 A 10/1928 Brumder
D220,400 S * 4/1971 Essman D21/503
3,656,750 A 4/1972 Meunier
4,046,376 A 9/1977 Harvey
4,129,916 A * 12/1978 Schlesinger A63C 19/10
14/69.5
D257,874 S * 1/1981 Sheehan D21/817
4,421,318 A 12/1983 Sverdlik
4,728,106 A 3/1988 Shore
5,165,690 A * 11/1992 Kelley, Jr. A63B 63/007
472/88
5,524,310 A * 6/1996 Farnen A63C 19/10
14/69.5
D386,145 S * 11/1997 Staller D12/412
D483,428 S * 12/2003 Frey D21/817
6,695,707 B1 * 2/2004 Fernandez A63C 19/10
14/69.5
D489,786 S * 5/2004 Pratt D21/817

The ornamental design for a hockey training apparatus, as shown and described.

DESCRIPTION

FIG. 1 is a front-top perspective view of a hockey training apparatus showing my new design;
FIG. 2 is a front elevation view thereof;
FIG. 3 is a rear elevation view thereof;
FIG. 4 is a right side elevation view thereof;
FIG. 5 is a left side elevation view thereof;
FIG. 6 is a top plan view thereof;
FIG. 7 is a bottom plan view thereof; and,
FIG. 8 is a rear-bottom perspective view thereof.

1 Claim, 7 Drawing Sheets



(56)

References Cited

U.S. PATENT DOCUMENTS

D537,488 S 2/2007 Mazloompour
 D542,876 S * 5/2007 Laurienzo D21/817
 D544,990 S * 6/2007 Guercio D26/118
 D545,926 S * 7/2007 Laurienzo D21/565
 7,597,558 B2 10/2009 Mazloompour
 9,943,745 B2 * 4/2018 Welck A63B 71/0619
 D877,274 S * 3/2020 Rozier D21/817
 D882,013 S * 4/2020 Rozier D21/817
 2004/0078907 A1 * 4/2004 Rieber A63C 19/10
 14/69.5
 2006/0121429 A1 6/2006 Mazloompour
 2008/0015060 A1 1/2008 Erickson
 2009/0023523 A1 1/2009 Poillucci
 2012/0208658 A1 8/2012 Christgau
 2012/0252606 A1 10/2012 Ennis

2015/0139718 A1 * 5/2015 Smith A63C 19/10
 403/205
 2018/0179710 A1 * 6/2018 Grobinski A63B 69/0022
 2020/0330851 A1 * 10/2020 Campbell A63C 19/10

OTHER PUBLICATIONS

Franklin sports soccer ramp, announced 2016[online], [site visited May 6, 2021]. Available on internet, URL:https://www.amazon.com/Franklin-Sports-Soccer-Return-Ramp/dp/B01E134HU0/ref=sr_1_3?dchild=1&keywords=sports+ramp&qid=1620379698&s=sporting-goods&sr=1-3 (Year: 2016).*

OC Ramps, announced 2010 [online], [site visited May 6, 2021]. Available on internet, URL:https://www.amazon.com/OC-Ramps-4ft-Wide-Quarterpipe/dp/B004CJ0UZK/ref=sr_1_115?dchild=1&keywords=sports+ramp&qid=1620380057&s=sporting-goods&sr=1-115 (Year: 2010).*

* cited by examiner

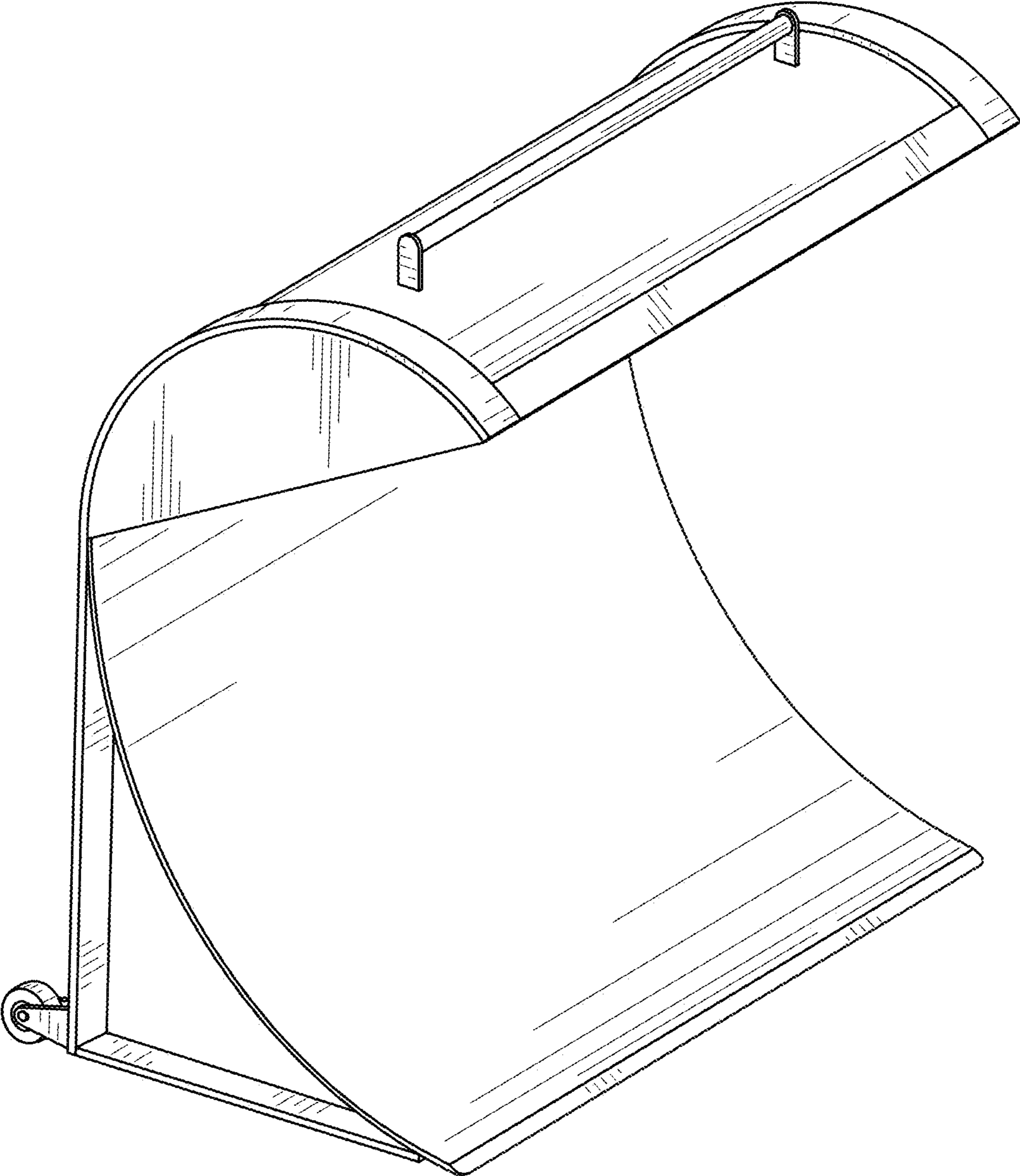


FIG. 1



FIG. 2

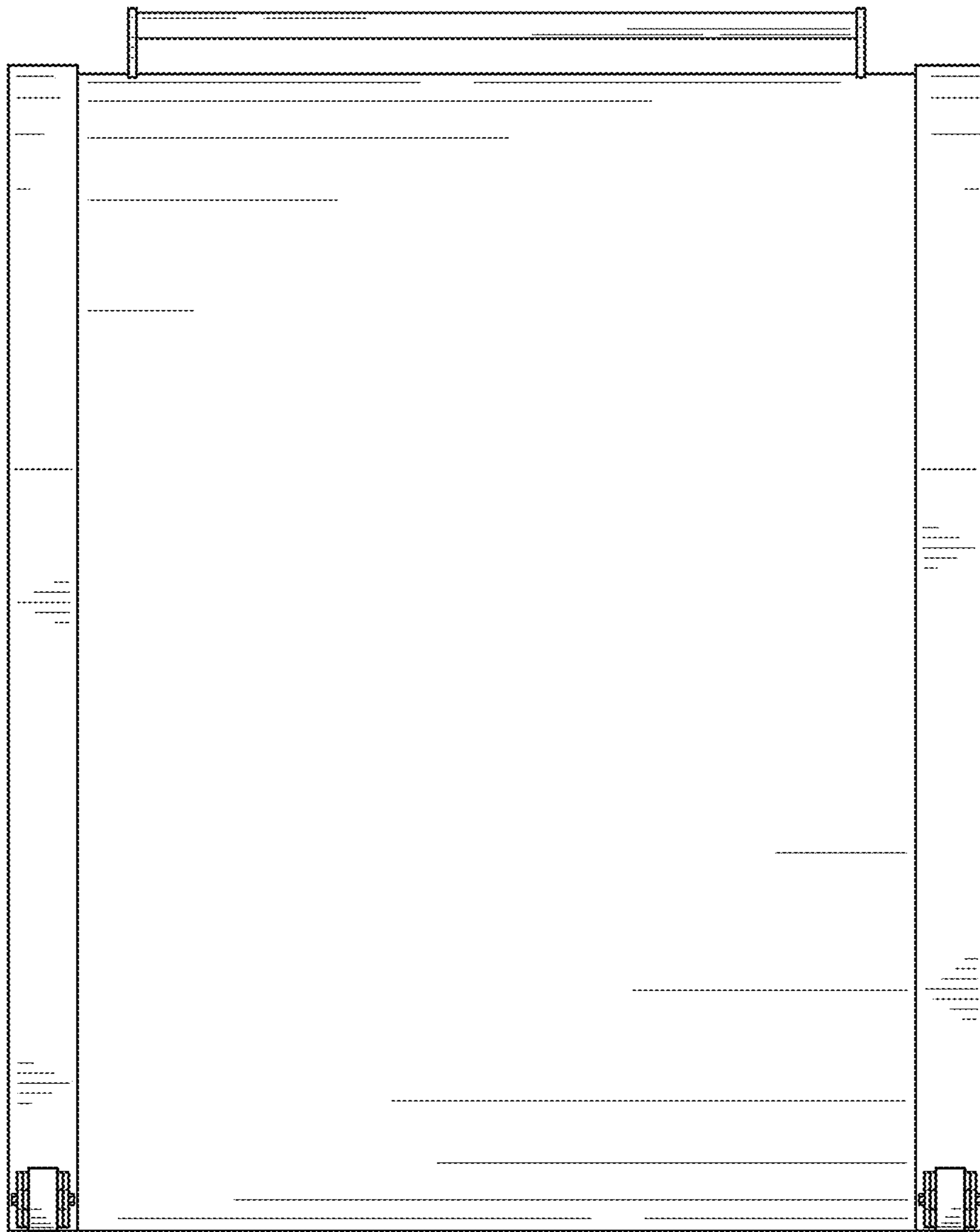


FIG. 3

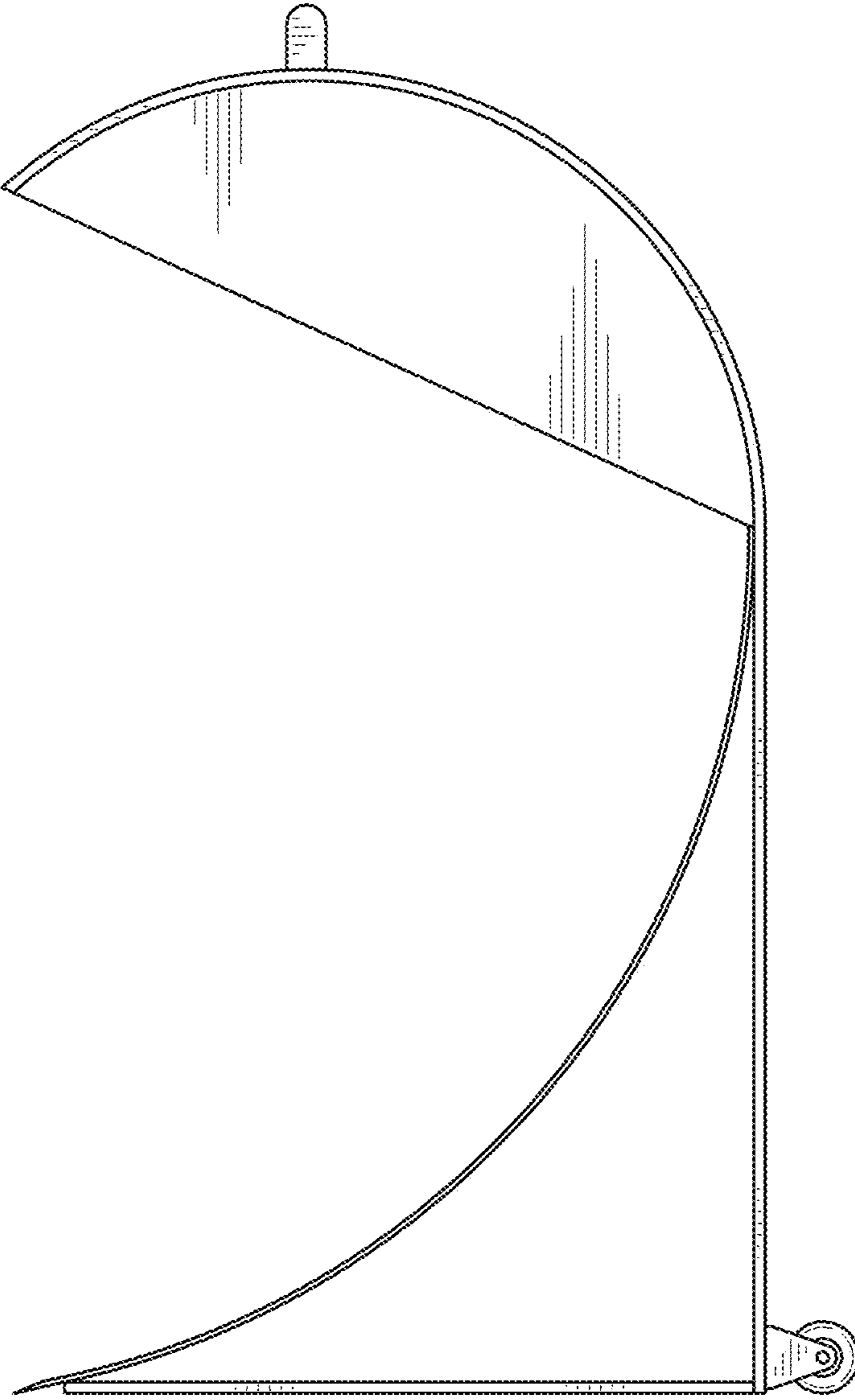


FIG. 4

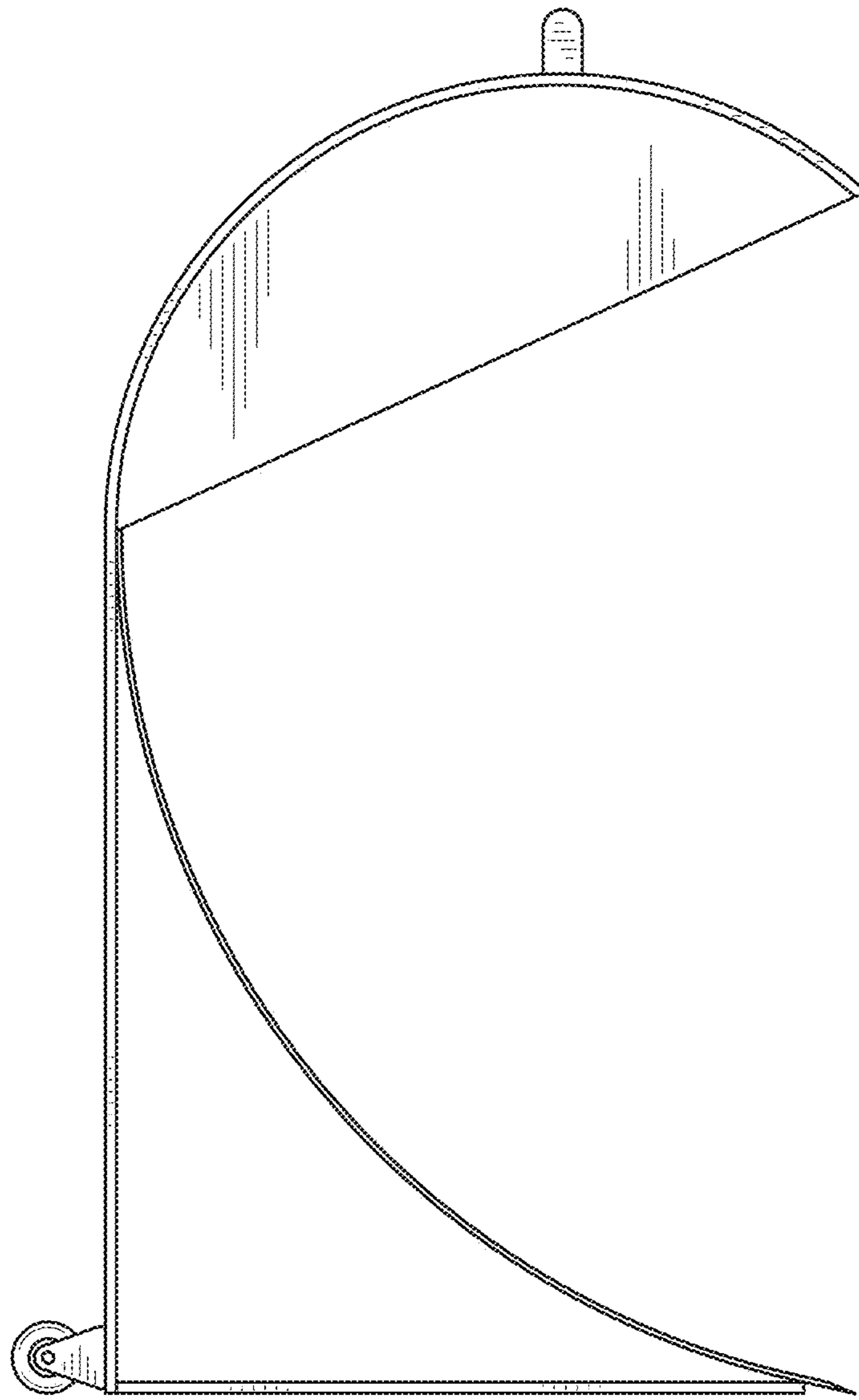


FIG. 5

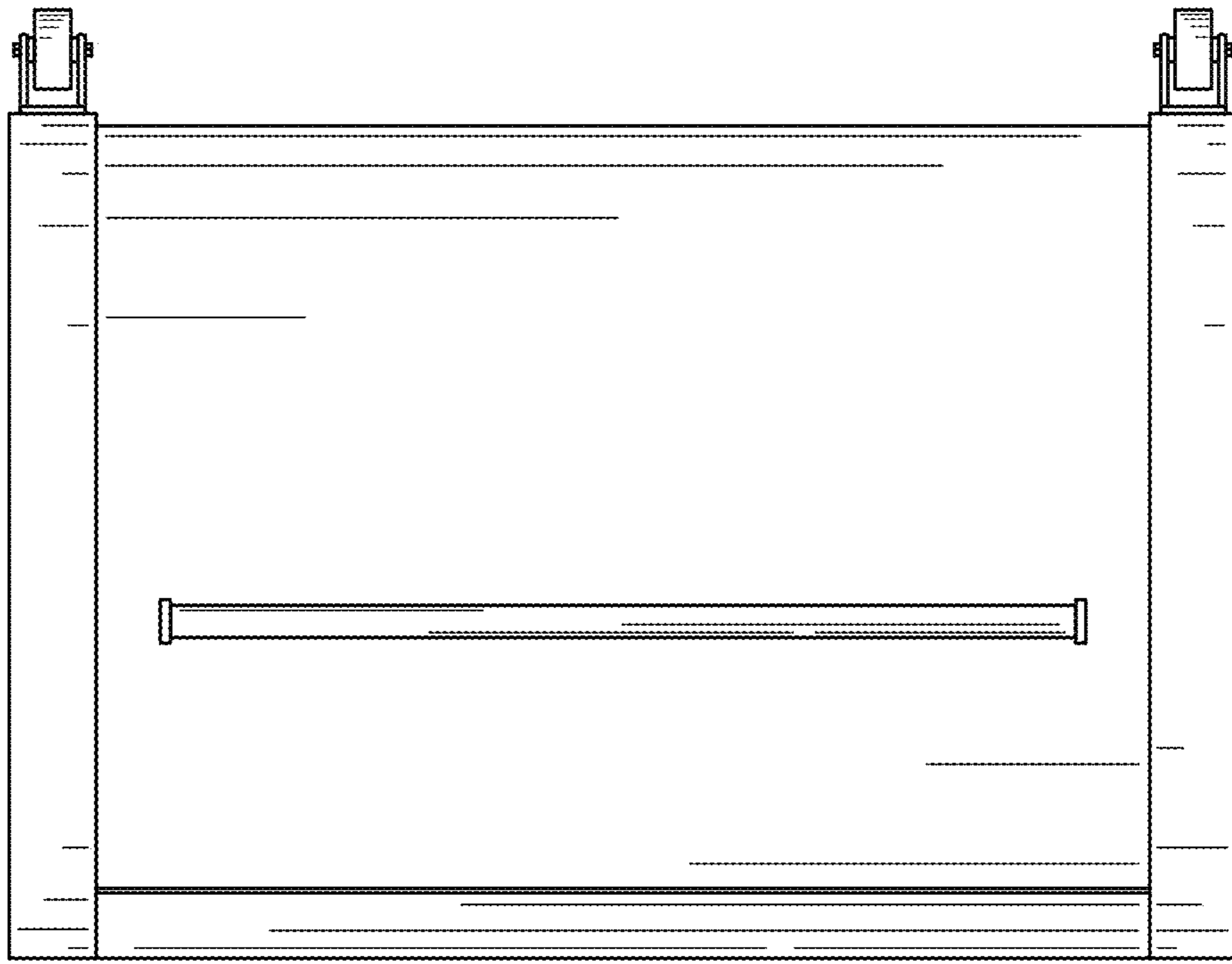


FIG. 6

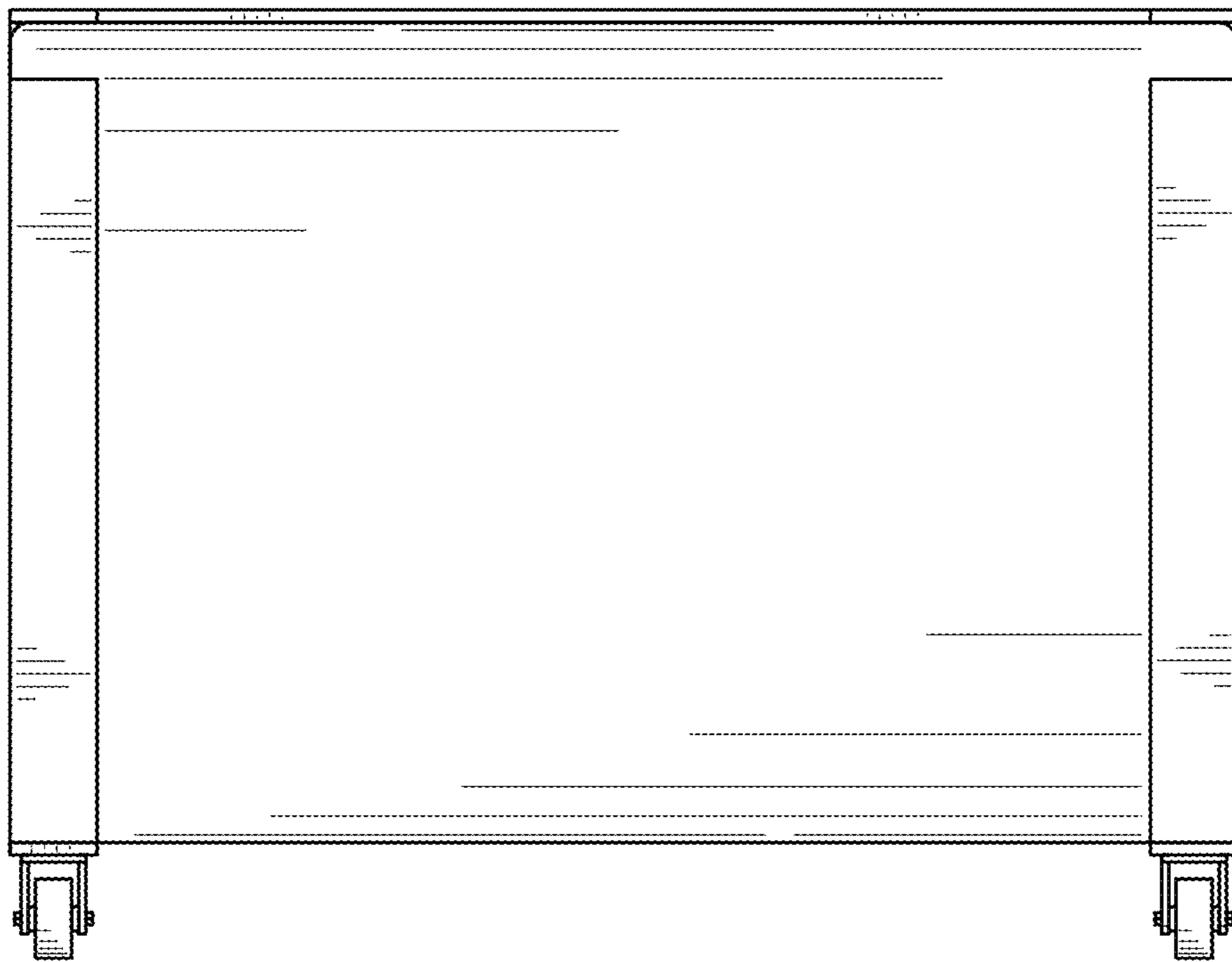


FIG. 7

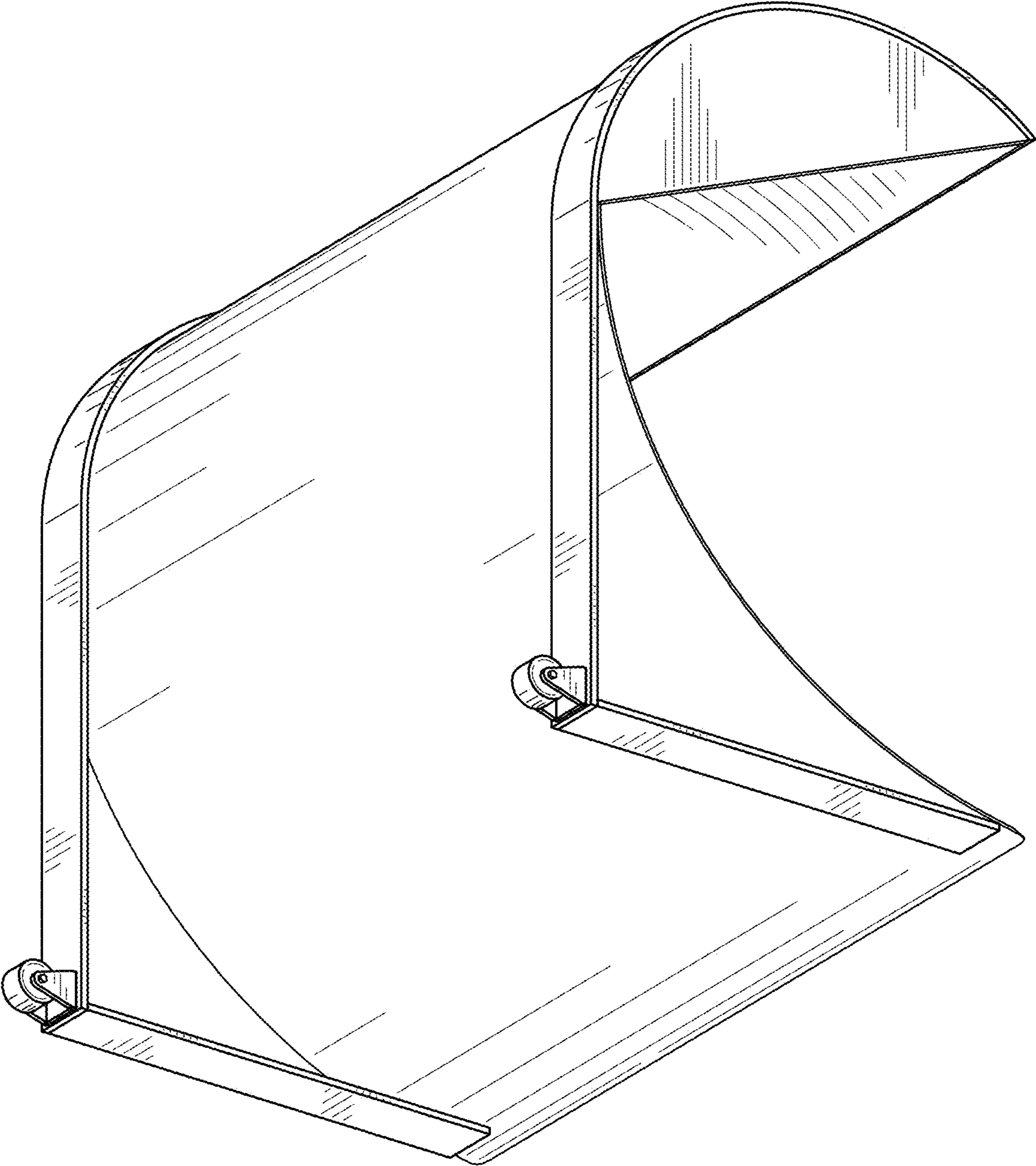


FIG. 8