



US00D924342S

(12) **United States Design Patent** (10) **Patent No.:** **US D924,342 S**
Bentley (45) **Date of Patent:** **** Jul. 6, 2021**

(54) **TRAINING DEVICE**
(71) Applicant: **LeCharles Bentley**, Gilbert, AZ (US)
(72) Inventor: **LeCharles Bentley**, Gilbert, AZ (US)
(73) Assignee: **LeCharles Bentley**, Gilbert, AZ (US)
(**) Term: **15 Years**
(21) Appl. No.: **29/696,878**
(22) Filed: **Jul. 2, 2019**
(51) **LOC (13) Cl.** **21-02**
(52) **U.S. Cl.**
USPC **D21/686**
(58) **Field of Classification Search**
USPC D8/499; D34/28, 23; D3/318, 233, 226;
D21/788, 694, 689, 687, 686, 682, 680,
D21/671, 662, 683, 423, 419; D10/83;
482/97, 93, 74, 68, 66, 55, 5, 142, 14,
482/106, 105; 473/445, 447, 444, 441
CPC . A63B 69/345; A63B 23/047; A63B 21/4035;
A63B 21/0618; A63B 22/20; A63B
21/0004
See application file for complete search history.

8,986,172 B2 * 3/2015 Poole A63B 23/03525
482/93
9,744,396 B1 * 8/2017 Leath A63B 21/0004
9,975,024 B1 * 5/2018 Potter A63B 21/00065
D847,920 S * 5/2019 Lien D21/691
D851,186 S * 6/2019 Kuka D21/691
10,315,064 B2 * 6/2019 Pinkus A63B 23/03541
10,525,299 B1 * 1/2020 Leath A63B 21/4033
D888,850 S * 6/2020 Smith, Jr. D21/686
10,722,774 B2 * 7/2020 Creech A63B 69/345
2008/0312009 A1 * 12/2008 Gilman A63B 21/4001
473/445
2011/0224051 A1 * 9/2011 Larish A63B 21/4035
482/93
2012/0157244 A1 * 6/2012 Staten A63B 21/0004
473/445
2013/0012364 A1 * 1/2013 Leath A63B 69/345
482/66

(Continued)

OTHER PUBLICATIONS

Products by olp dated no date given. Found online [Feb. 23, 2021]
<https://lbolineperformance.com/products/>*

Primary Examiner — Ryan Harvey
(74) *Attorney, Agent, or Firm* — Cooper Legal Group,
LLC

(56) **References Cited**

U.S. PATENT DOCUMENTS

D233,219 S * 10/1974 O'Donnell D10/83
4,477,076 A * 10/1984 Monaco A63B 69/345
473/441
D466,963 S * 12/2002 Forrest D21/788
D469,142 S * 1/2003 Forrest D21/788
D478,954 S * 8/2003 Forrest D21/788
D606,611 S * 12/2009 Rogers D21/698
7,955,223 B1 * 6/2011 Gilman A63B 21/0618
482/14
8,002,649 B2 * 8/2011 Forrest, Sr. A63B 69/345
473/445
8,960,678 B2 * 2/2015 Gilman A63B 69/345
273/445

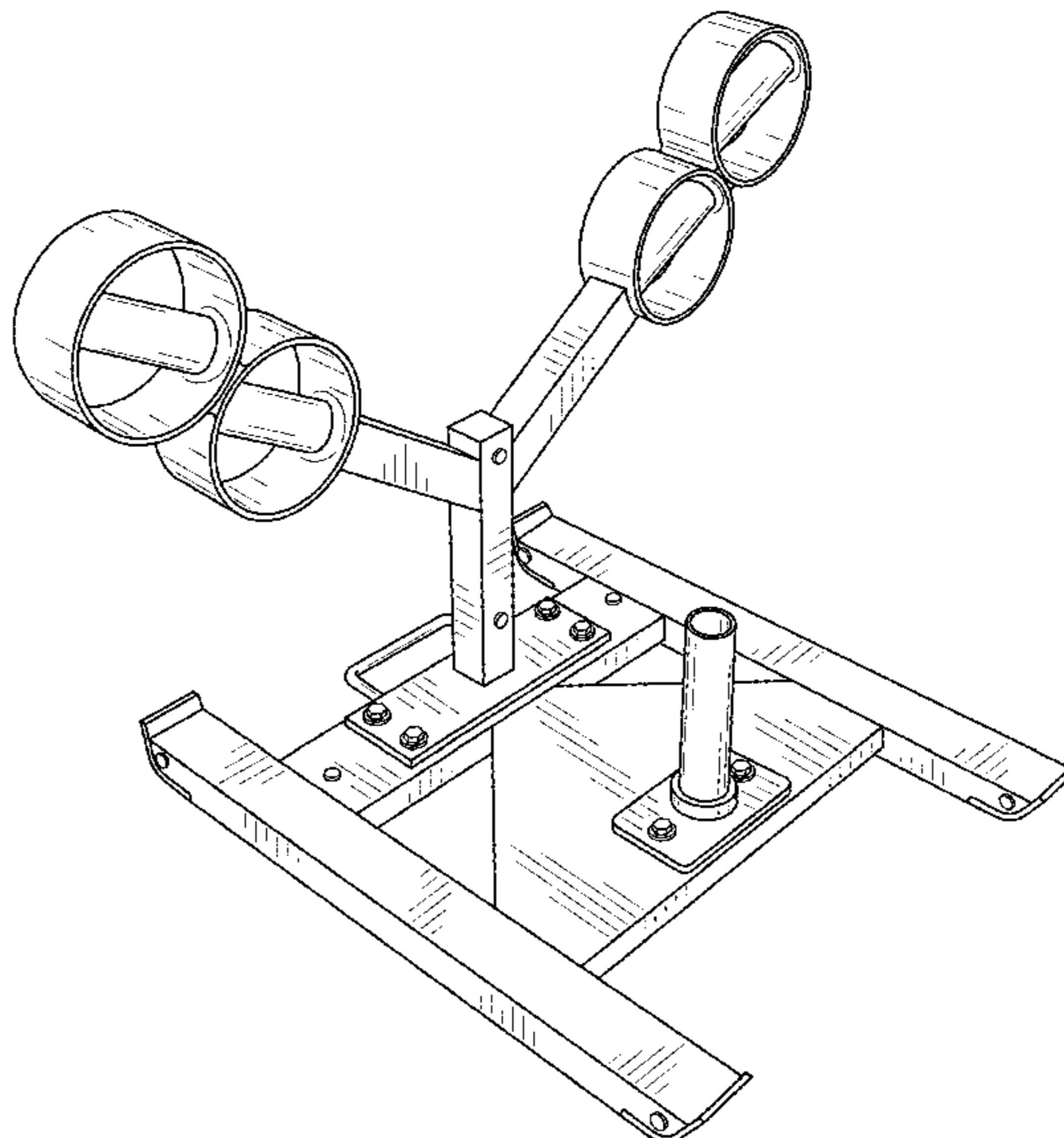
(57) **CLAIM**

The ornamental design for a training device, as shown and described.

DESCRIPTION

FIG. 1 is a perspective view of a training device, showing the new design;
FIG. 2 is a rear view thereof;
FIG. 3 is a front view thereof;
FIG. 4 is a first side view thereof;
FIG. 5 is a second side view thereof; and,
FIG. 6 is a top view thereof.

1 Claim, 4 Drawing Sheets



(56)

References Cited

U.S. PATENT DOCUMENTS

2013/0095984 A1* 4/2013 Agate A63B 23/047
482/106
2013/0143693 A1* 6/2013 Forrest, Sr. A63B 69/345
473/444
2014/0073491 A1* 3/2014 Gilson A63B 21/0004
482/93
2014/0221131 A1* 8/2014 Gilman A63B 69/00
473/447
2017/0136285 A1* 5/2017 Chesson A63B 23/03525
2017/0189733 A1* 7/2017 Bentley A63B 21/4035
2020/0238127 A1* 7/2020 Wehrell A63B 21/4034

* cited by examiner

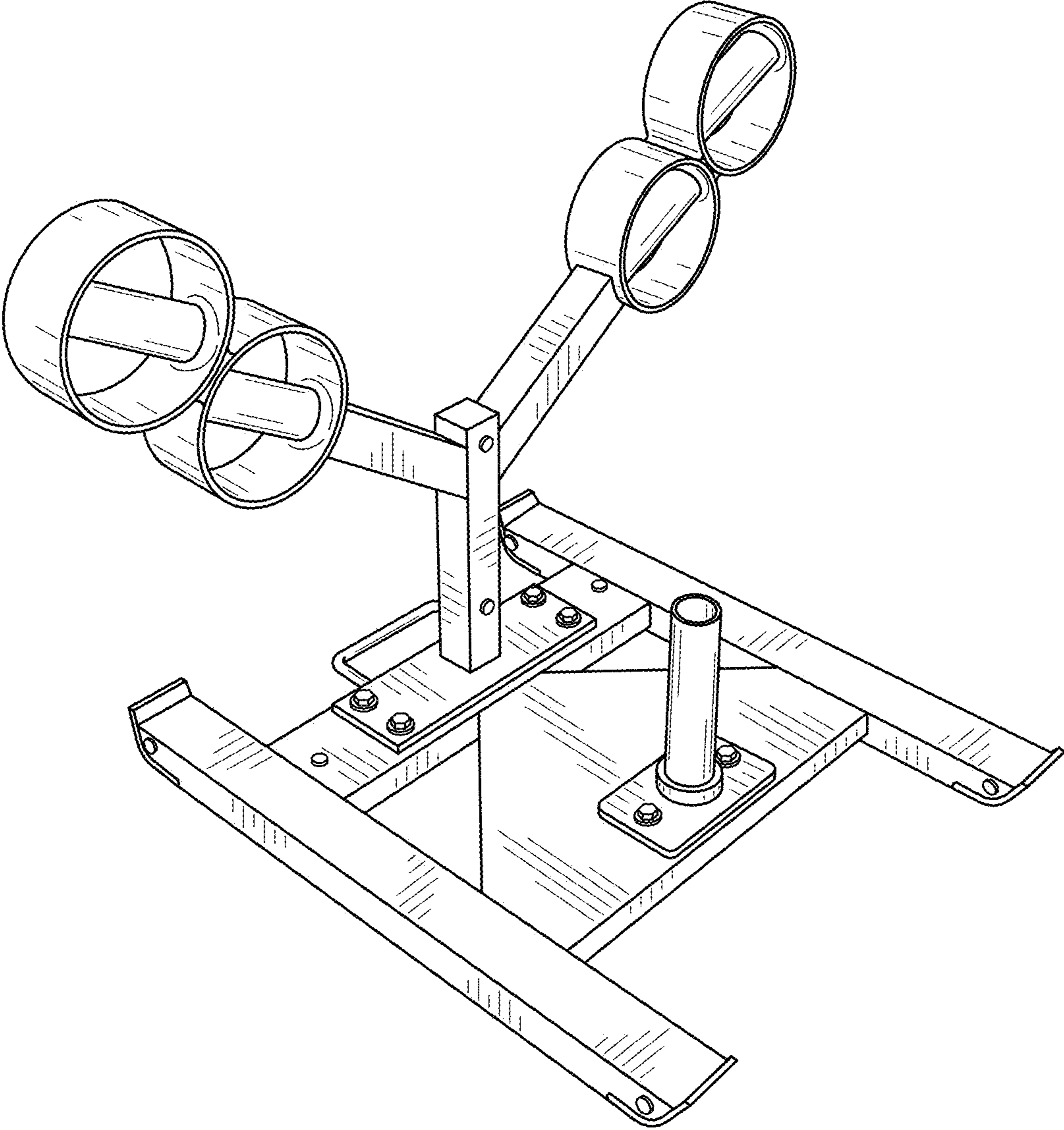


FIG. 1

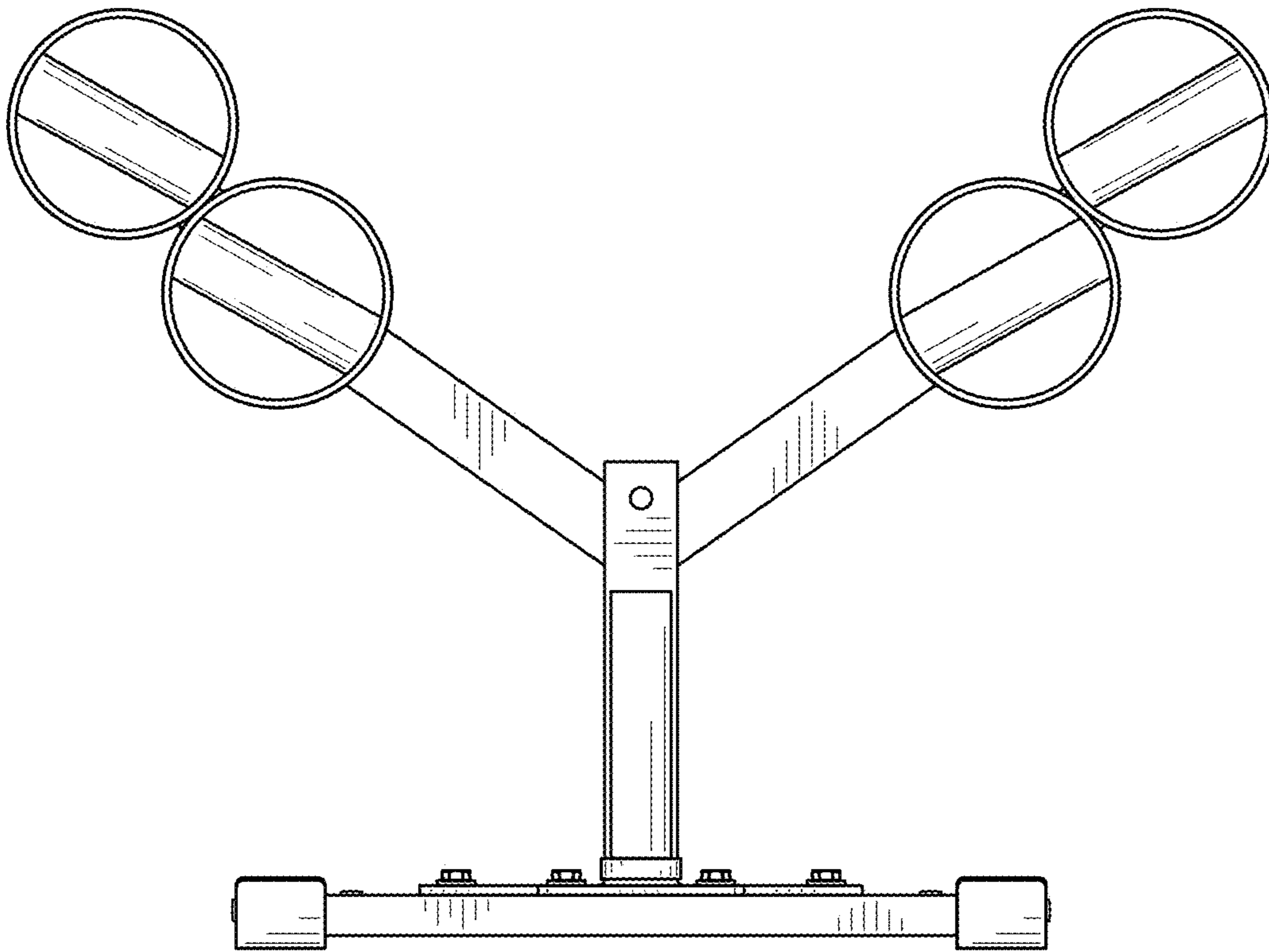


FIG. 2

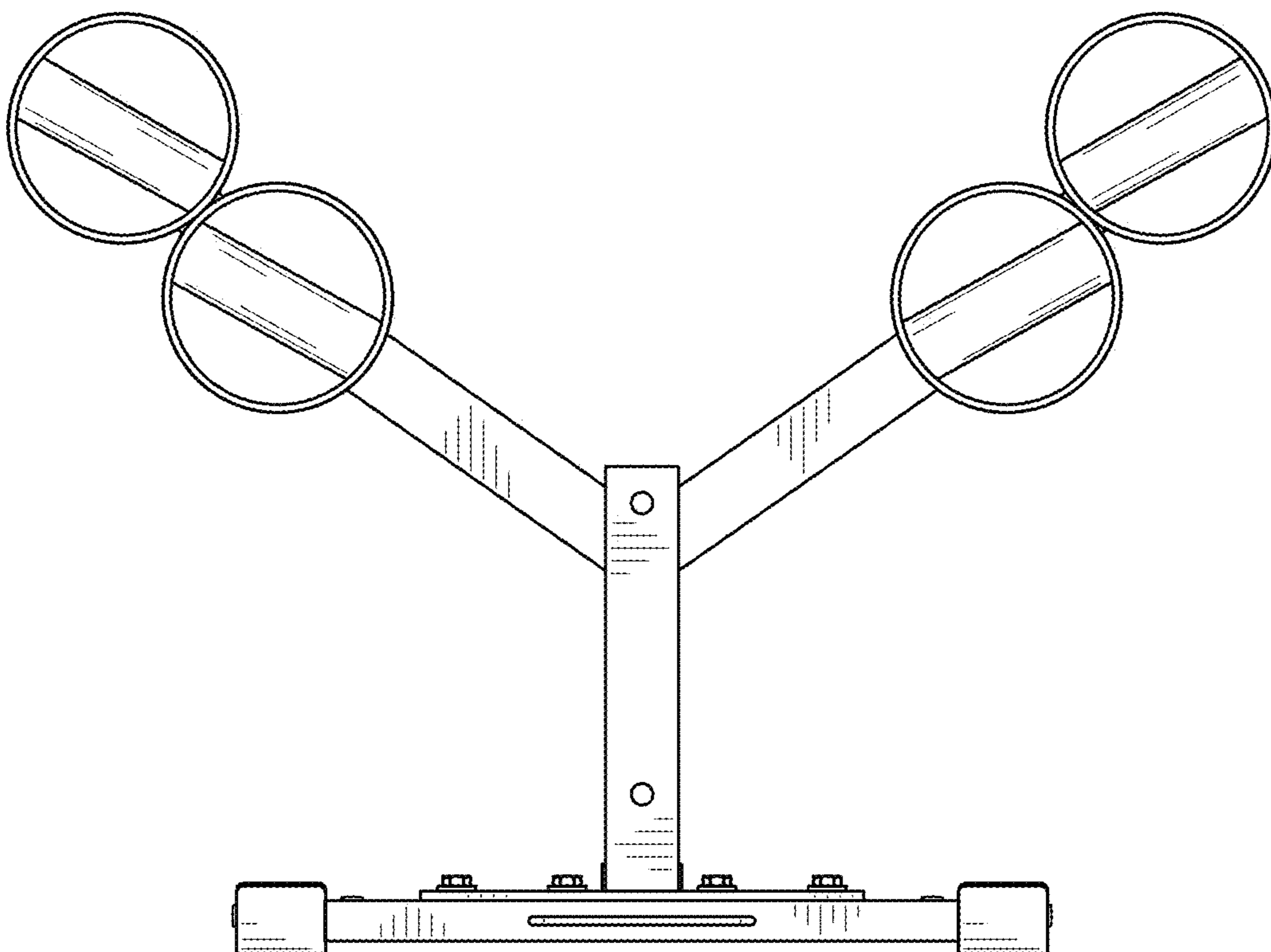


FIG. 3

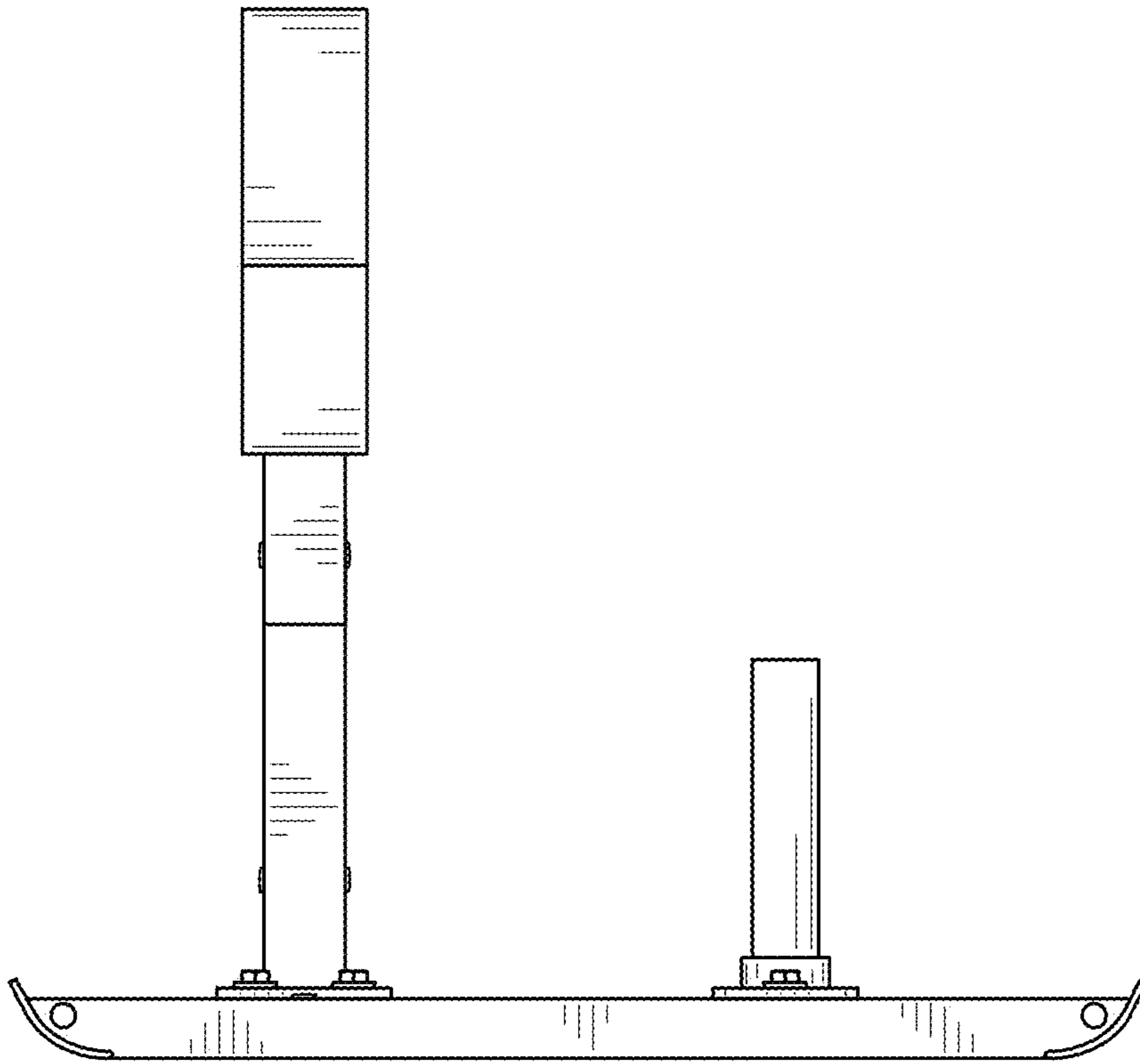


FIG. 4

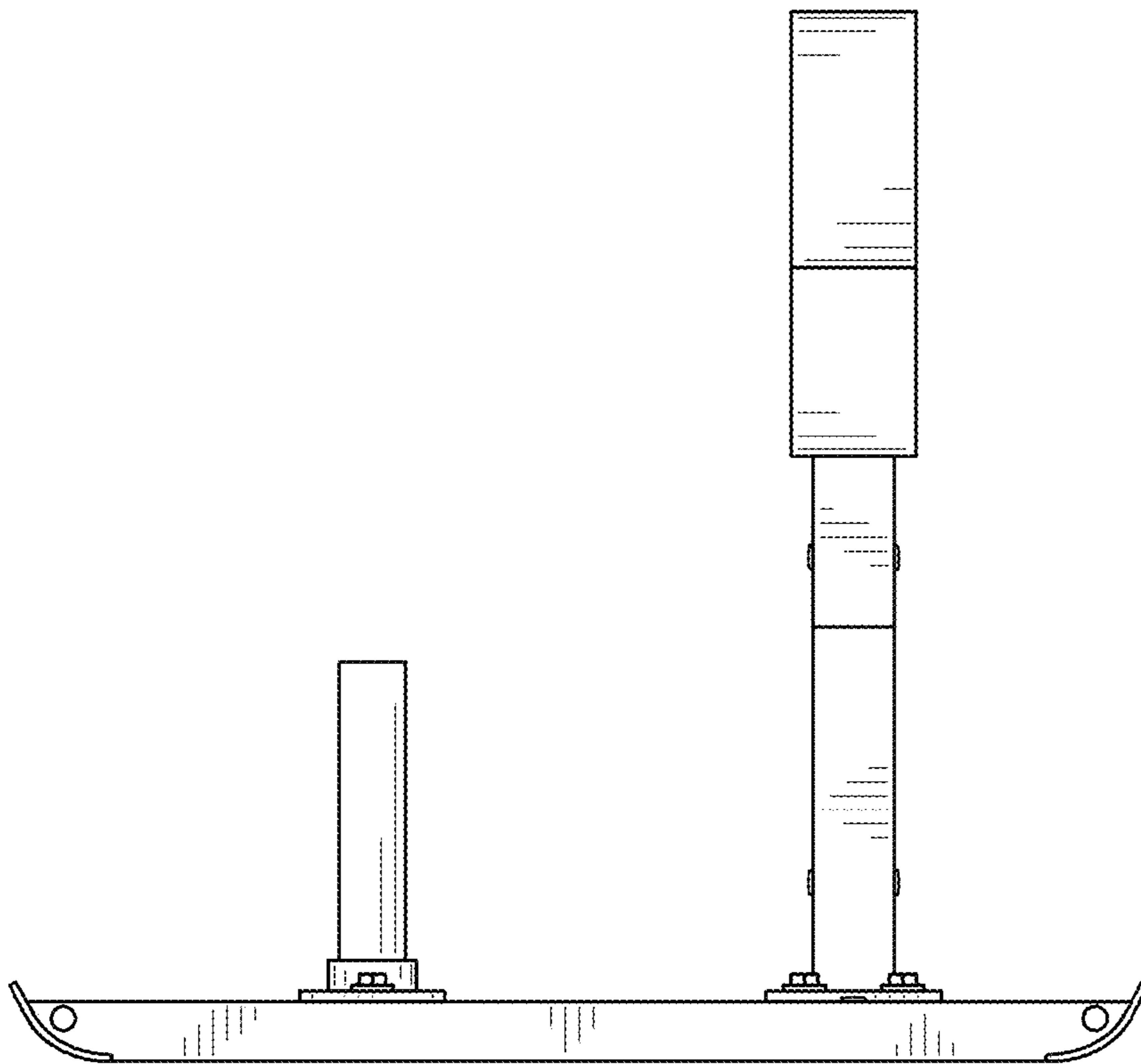


FIG. 5

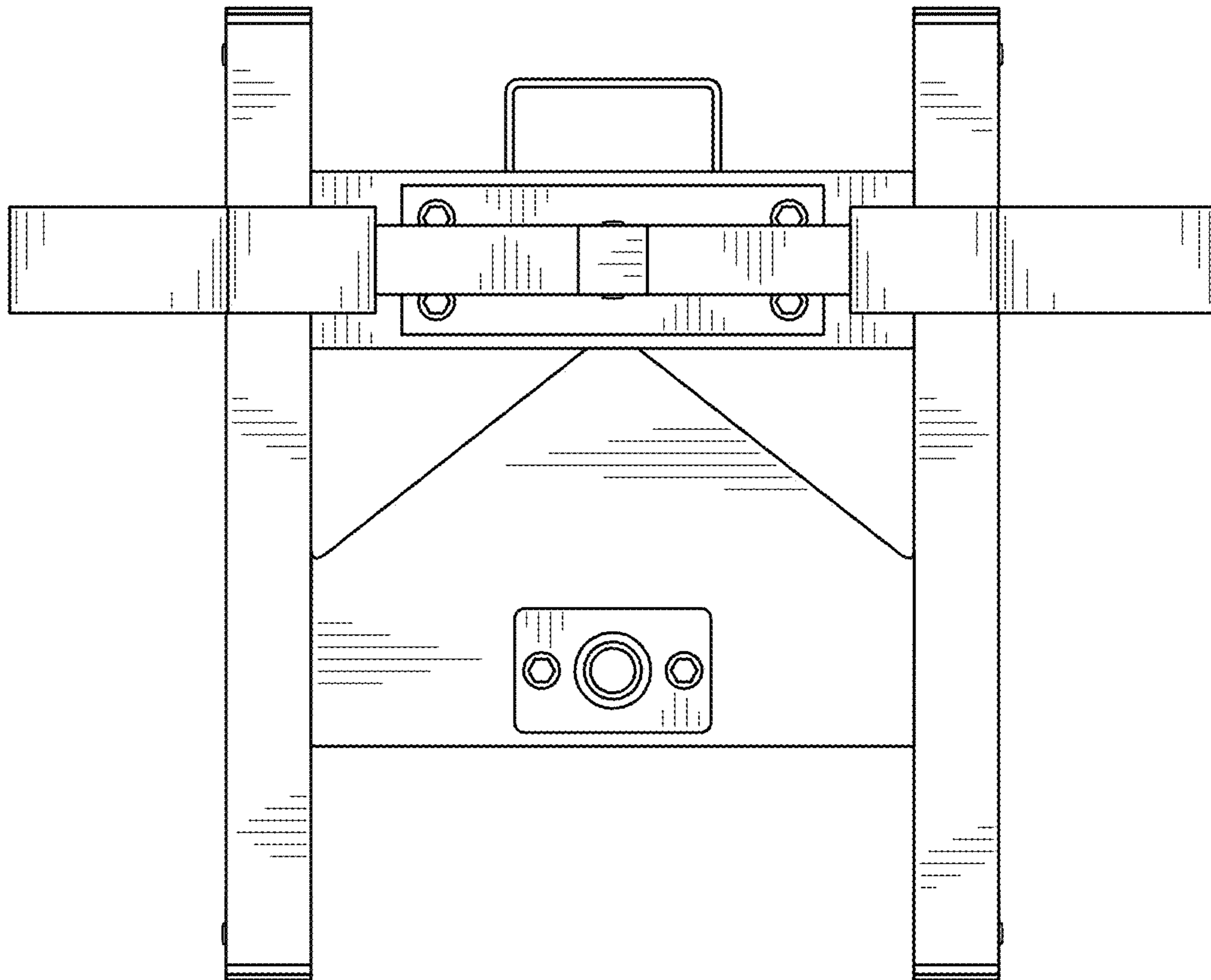


FIG. 6