



US00D924341S

(12) **United States Design Patent**  
**Stotter**

(10) **Patent No.:** **US D924,341 S**

(45) **Date of Patent:** **\*\* Jul. 6, 2021**

(54) **COMBINED PHYSICAL TRAINING AND REHABILITATION DEVICE**

(71) Applicant: **MOFLEX, LLC**, Shaker Heights, OH (US)

(72) Inventor: **Philip Stotter**, Shaker Heights, OH (US)

(\*\*) Term: **15 Years**

(21) Appl. No.: **29/660,909**

(22) Filed: **Aug. 23, 2018**

(51) **LOC (13) Cl.** ..... **21-02**

(52) **U.S. Cl.**  
USPC ..... **D21/686**

(58) **Field of Classification Search**  
USPC ..... 108/51.11; 128/202.18, 845; 297/180.11, 391, 394, 452.26, 452.48; 5/401, 417, 419, 420, 600, 630-636, 646, 5/652, 653, 655.4, 655, 690, 730, 933, 5/946, 947; D21/686, 803, 804, 805, D21/809; D24/183, 184, 190, 191, 234; D25/102, 112, 113, 119; D32/40, 43; D6/349, 375, 512, 596, 601, 604, 716.1; 601/27, 28

CPC ..... A63B 21/00047; A63B 21/4039; A63B 2022/185; A47C 20/04; A61H 1/008; A61F 5/0093; A47G 9/10; B60N 2/882

See application file for complete search history.

(56) **References Cited**

**U.S. PATENT DOCUMENTS**

- 2,281,629 A \* 5/1942 Snow ..... A47D 13/08 5/655
- D164,759 S \* 10/1951 Bartolucci ..... D24/215
- D211,721 S \* 7/1968 Radford ..... D6/601
- 3,555,582 A \* 1/1971 Radford ..... A47C 20/027 5/632
- D254,029 S \* 1/1980 Barbagallo ..... 5/636
- D321,562 S \* 11/1991 Ljungvall ..... D6/601

- D328,682 S \* 8/1992 Carney ..... D6/601
- D370,066 S \* 5/1996 Kennemore ..... D24/183
- 5,533,218 A \* 7/1996 Fahy ..... A47C 27/144 5/421
- 5,581,831 A \* 12/1996 Xiang ..... A47G 9/10 5/633
- D405,854 S \* 2/1999 Grant ..... D6/601
- D445,505 S \* 7/2001 Shapiro ..... D24/183

(Continued)

**OTHER PUBLICATIONS**

Amazon, "Feet First Foot and Ankle\_Device". Jan. 2, 2020. [https://www.amazon.com/First-Static-Physical-Therapy-Device/dp/B081D8D8NV/ref=sr\\_1\\_1?keywords=moflex&qid=1577928788&sr=8-1](https://www.amazon.com/First-Static-Physical-Therapy-Device/dp/B081D8D8NV/ref=sr_1_1?keywords=moflex&qid=1577928788&sr=8-1). Shown on p. 1. (Year: 2020).\*

(Continued)

*Primary Examiner* — Cynthia Ramirez  
*Assistant Examiner* — Michael A Maharajh  
(74) *Attorney, Agent, or Firm* — Benesch, Friedlander, Coplan & Aronoff LLP

(57) **CLAIM**

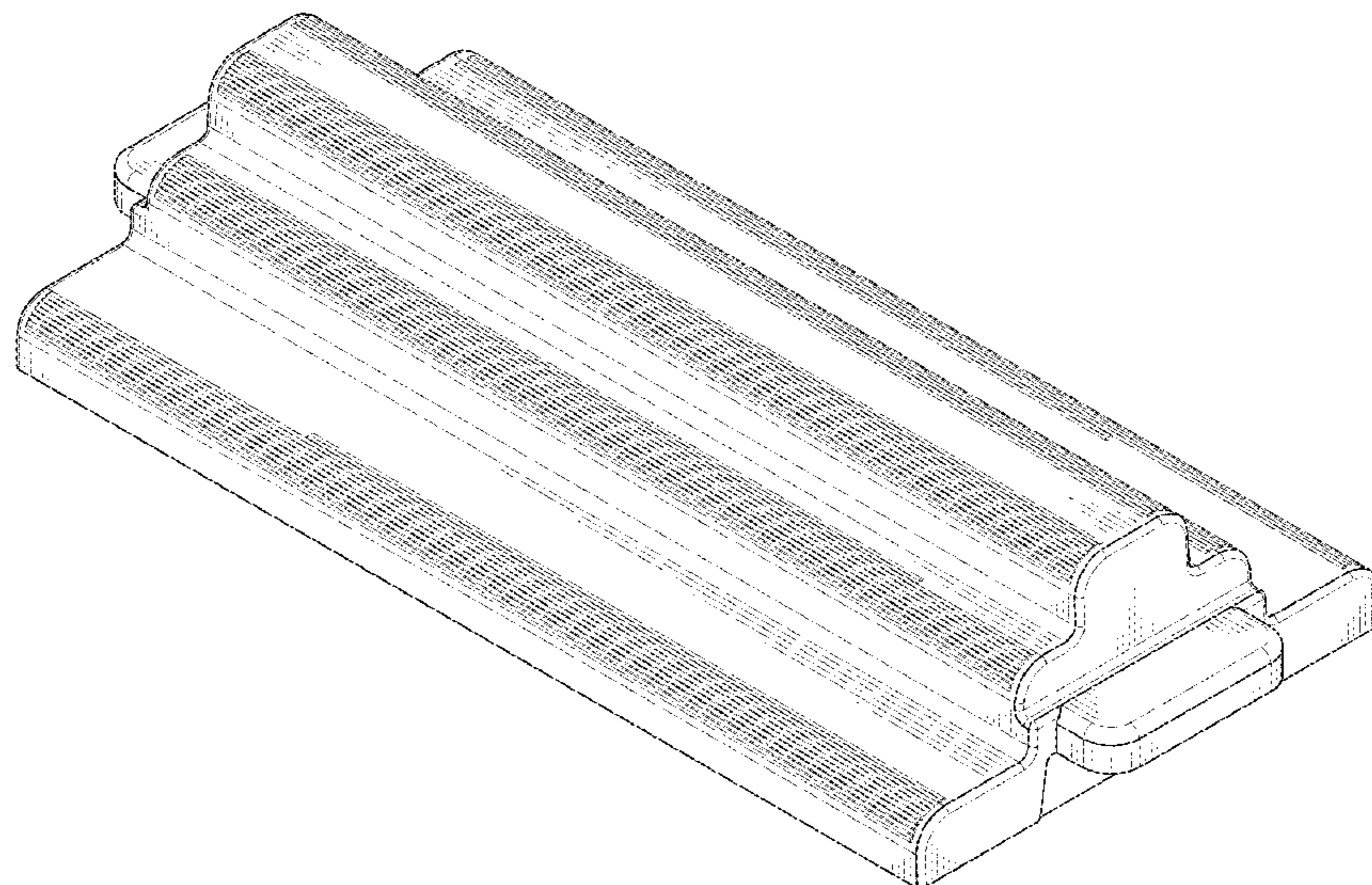
The ornamental design for a combined physical training and rehabilitation device, as shown and described.

**DESCRIPTION**

FIG. 1 is a perspective view of a combined physical training and rehabilitation device showing my new design; FIG. 2 is a front view thereof; FIG. 3 is a rear view thereof; FIG. 4 is a top view thereof; FIG. 5 is a bottom view thereof; FIG. 6 is a left side view thereof; and, FIG. 7 is a right side view thereof.

The broken lines shown in the figures are for the purpose of illustrating portions of the combined physical training and rehabilitation device, which form no part of the claimed design.

**1 Claim, 6 Drawing Sheets**



(56)

References Cited

U.S. PATENT DOCUMENTS

D447,805 S \* 9/2001 Siegal ..... D24/183  
 D457,771 S \* 5/2002 Boxrud ..... D6/601  
 6,629,324 B1 \* 10/2003 Shapiro ..... A47G 9/10  
 5/630  
 D491,246 S \* 6/2004 Walsh ..... D21/791  
 D526,369 S \* 8/2006 Van Straaten ..... D21/662  
 7,213,281 B2 \* 5/2007 Hahn ..... A47D 9/00  
 128/845  
 D639,876 S \* 6/2011 Tsou ..... D21/662  
 D660,856 S \* 5/2012 Josefek ..... D14/461  
 D664,256 S \* 7/2012 Dennewald ..... D24/183  
 D665,503 S \* 8/2012 Dennewald ..... D24/183  
 D675,267 S \* 1/2013 Jamison, Jr. .... D21/686  
 D691,222 S \* 10/2013 Sterios ..... D21/686  
 D695,857 S \* 12/2013 Sterios ..... D21/686  
 D701,582 S \* 3/2014 Sterios ..... D21/686  
 D707,312 S \* 6/2014 Sterios ..... D21/686  
 8,806,684 B1 \* 8/2014 Ortega ..... A47G 9/109  
 5/632  
 D736,397 S \* 8/2015 McAviney ..... D25/119  
 D739,036 S \* 9/2015 McAviney ..... D25/119  
 D800,852 S \* 10/2017 Flook ..... D21/671  
 D808,532 S \* 1/2018 Richey ..... D24/183  
 D820,374 S \* 6/2018 Rademacher ..... D21/803  
 D821,780 S \* 7/2018 Strandberg ..... D6/596  
 D831,133 S \* 10/2018 Goldmon ..... D21/686  
 10,213,355 B2 \* 2/2019 Marinkovic ..... A61H 1/008  
 D848,553 S \* 5/2019 Noback ..... D21/686  
 D859,664 S \* 9/2019 Dennewald ..... D24/183  
 D863,824 S \* 10/2019 Comercio ..... D6/601  
 D864,318 S \* 10/2019 Szonyi ..... D21/686  
 D864,612 S \* 10/2019 Castellano ..... D6/601  
 2002/0138907 A1 \* 10/2002 Wang ..... A47G 9/10  
 5/636  
 2003/0208846 A1 \* 11/2003 Guarino ..... A47C 20/026  
 5/636  
 2006/0272095 A1 \* 12/2006 Kornaker ..... A61H 31/008  
 5/630

2007/0022537 A1 \* 2/2007 Faustick ..... A47C 5/125  
 5/655  
 2009/0222989 A1 \* 9/2009 Dennewald ..... A47G 9/1081  
 5/636  
 2010/0281616 A1 \* 11/2010 Karlson ..... A47G 9/10  
 5/632  
 2010/0299838 A1 \* 12/2010 Lanci ..... B60N 2/882  
 5/645  
 2010/0325804 A1 \* 12/2010 Tubb ..... A47C 3/16  
 5/652  
 2011/0094033 A1 \* 4/2011 Lee ..... A61F 5/56  
 5/636  
 2012/0060846 A1 \* 3/2012 Leoniak ..... A61F 5/56  
 128/845  
 2012/0180219 A1 \* 7/2012 Riccabona ..... A47C 20/021  
 5/636  
 2013/0000651 A1 \* 1/2013 Pleszowski ..... A61F 5/0093  
 128/845  
 2014/0190488 A1 \* 7/2014 Robran ..... A61G 99/00  
 128/845  
 2014/0318550 A1 \* 10/2014 Doci ..... A63B 21/00047  
 128/845  
 2015/0047646 A1 \* 2/2015 Marinkovic ..... A61H 1/008  
 128/845  
 2015/0164727 A1 \* 6/2015 Lopez ..... A47G 9/10  
 5/653  
 2015/0265793 A1 \* 9/2015 Davis ..... A47C 20/04  
 128/202.18  
 2015/0289664 A1 \* 10/2015 Lavin ..... A47C 20/026  
 5/630  
 2016/0192794 A1 \* 7/2016 Boyd ..... A47G 9/1081  
 5/636  
 2019/0374813 A1 \* 12/2019 Sotter ..... A63B 23/08

OTHER PUBLICATIONS

Youtube, "Moflex Basic 7 Instructional Video", Nov. 29, 2019.  
[https://www.youtube.com/watch?v=A\\_piabr9sdo](https://www.youtube.com/watch?v=A_piabr9sdo). Shown at 00:03  
 minute mark. (Year: 2019).\*

\* cited by examiner

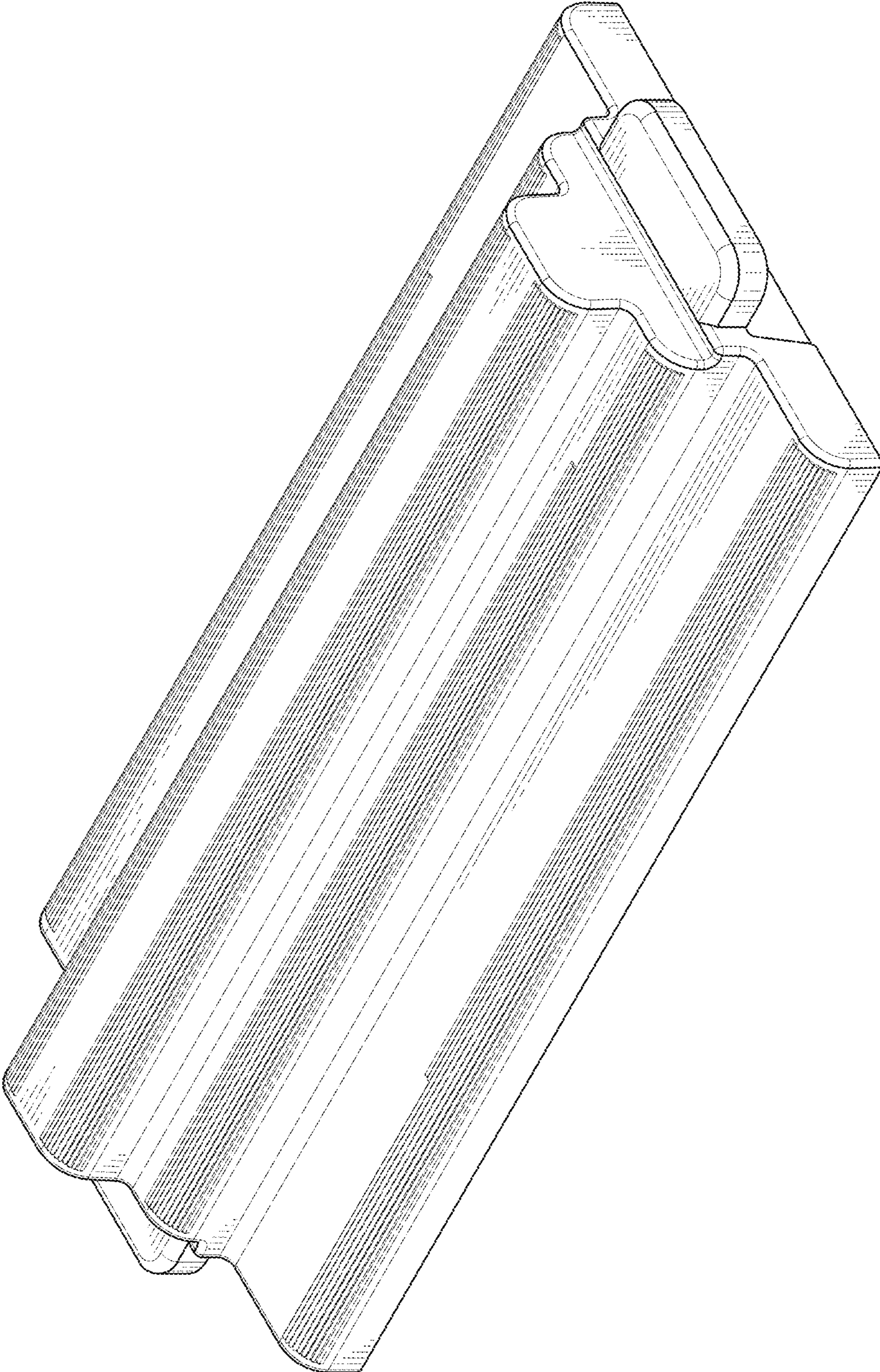


FIG. 1

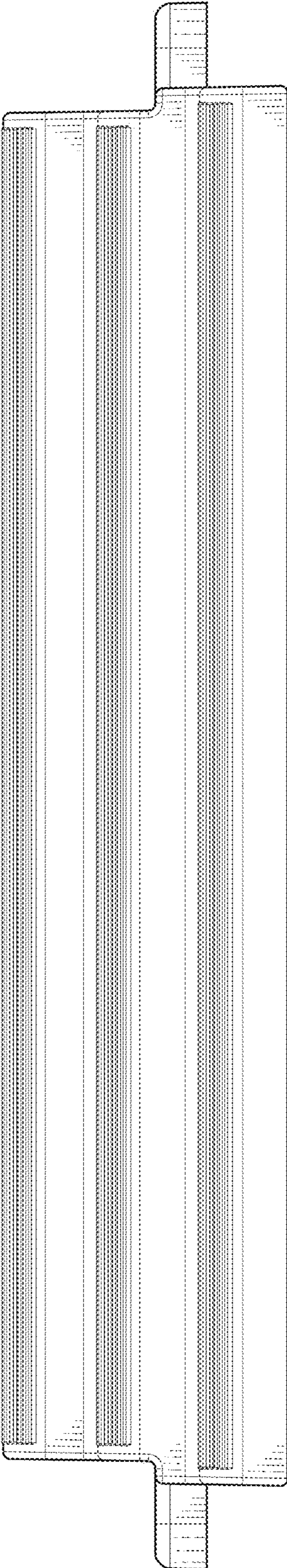


FIG. 2

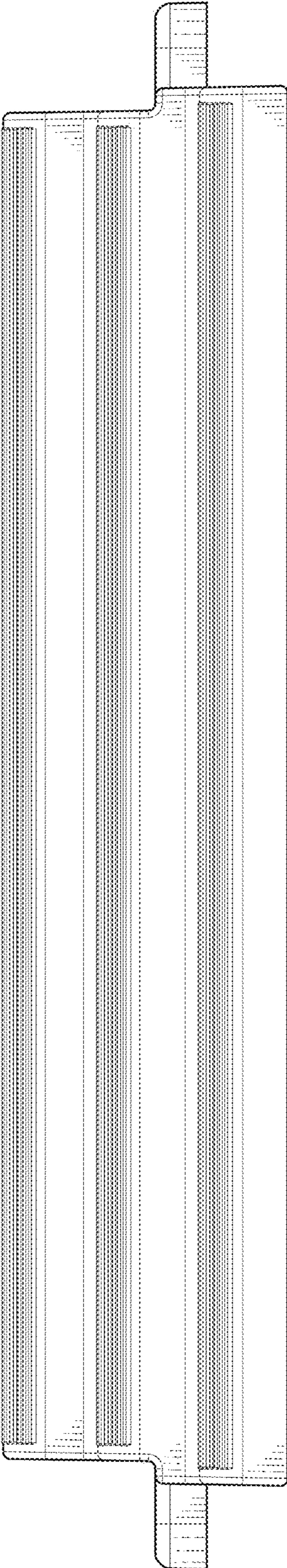


FIG. 3

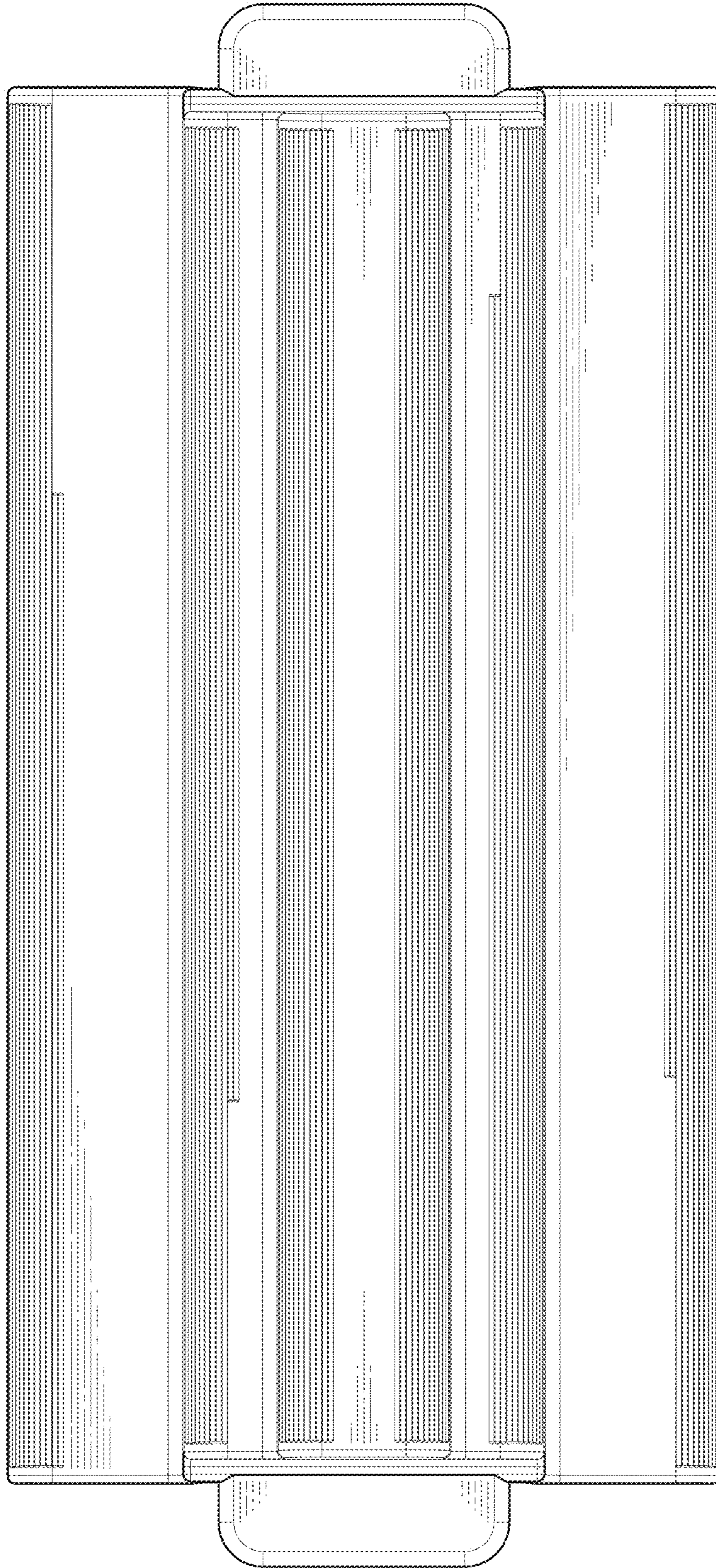


FIG. 4

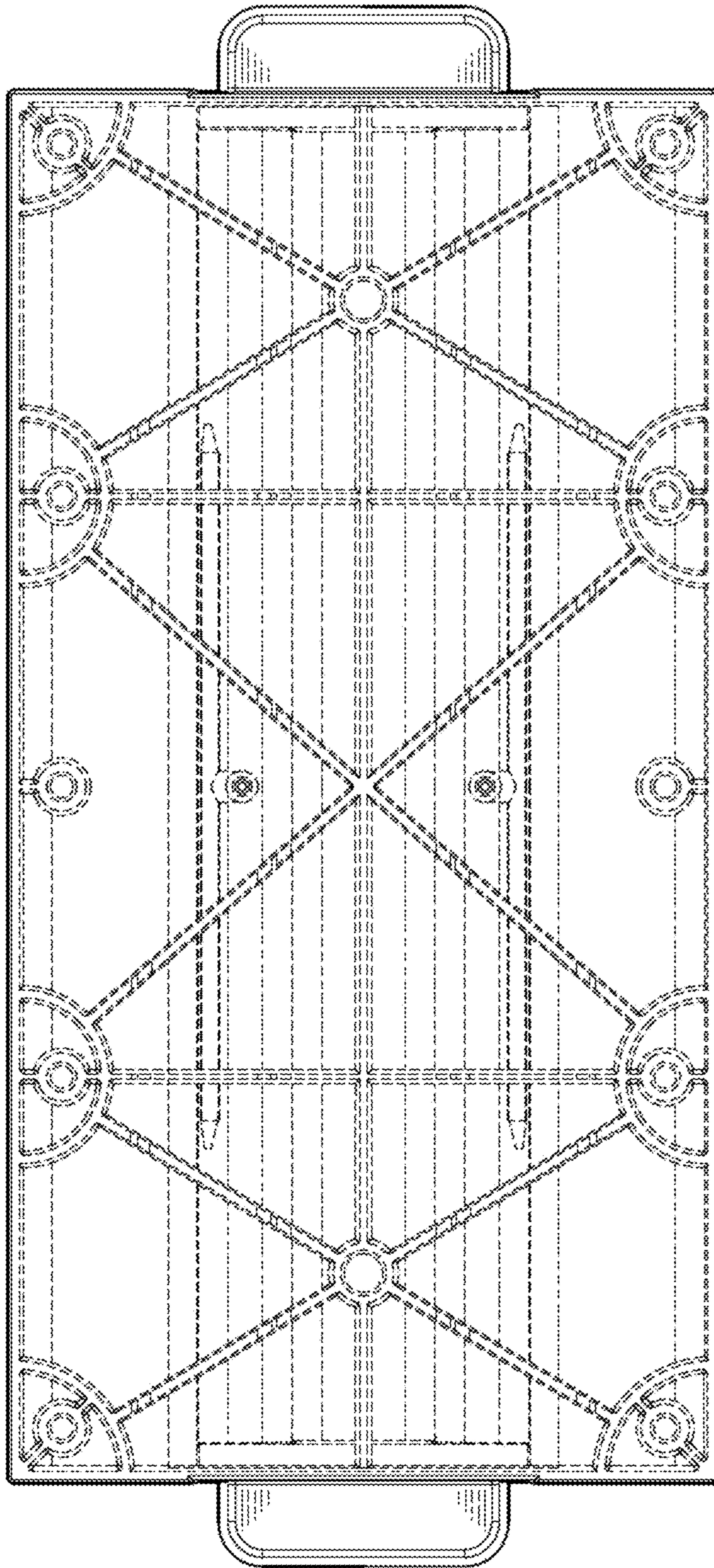


FIG. 5

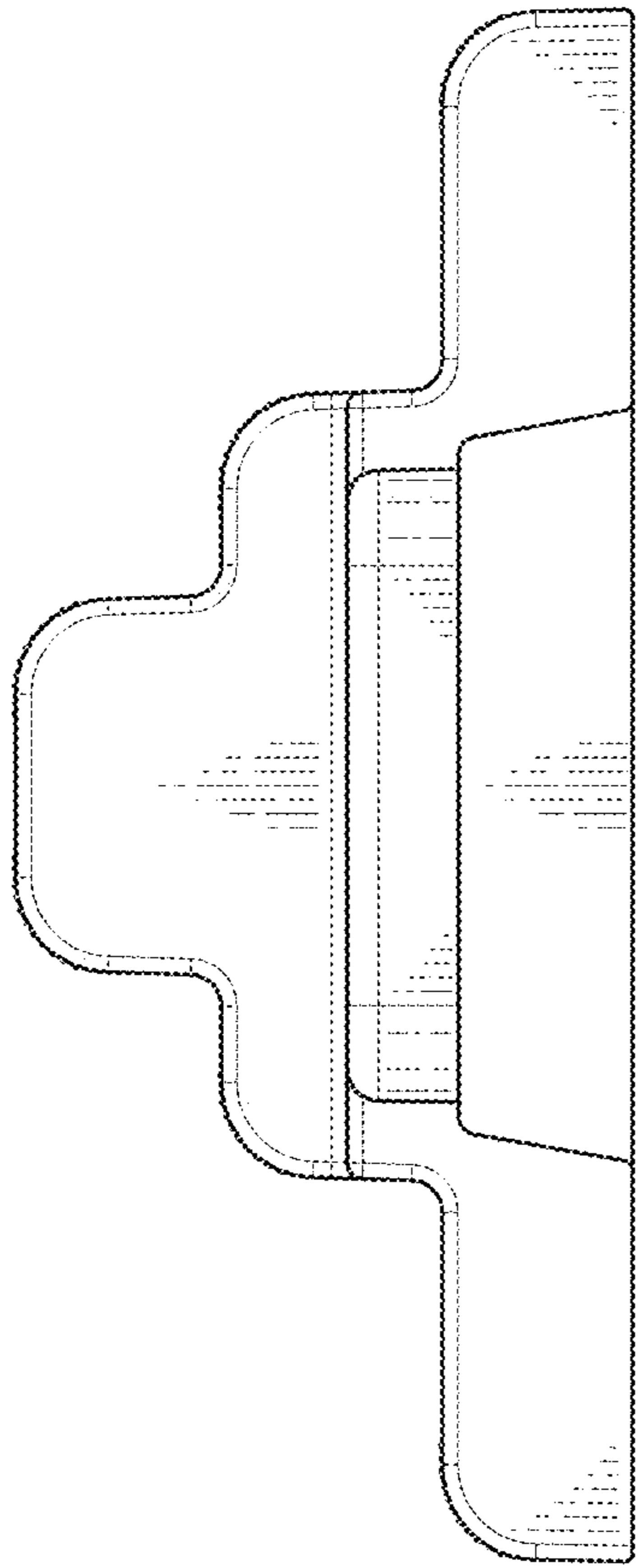


FIG. 6

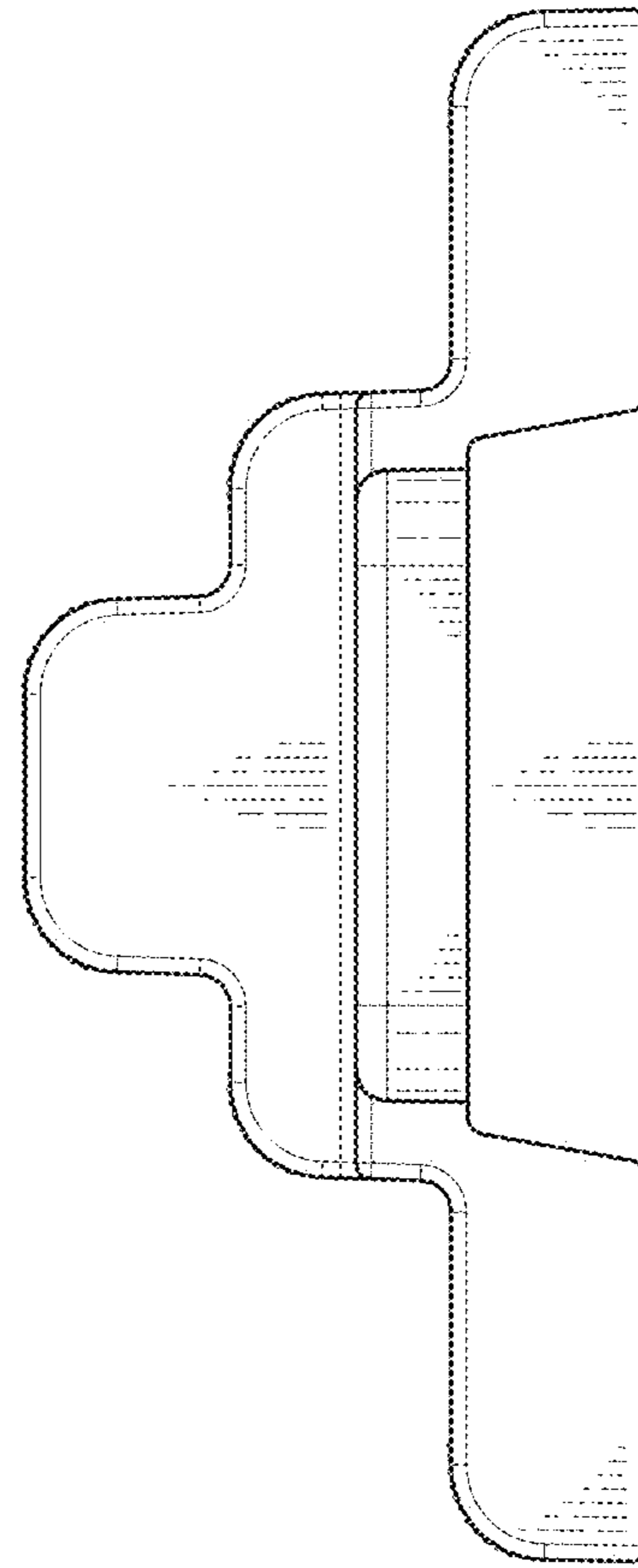


FIG. 7