



US00D924339S

(12) **United States Design Patent** (10) **Patent No.:** **US D924,339 S**  
**Hardin-Weiss et al.** (45) **Date of Patent:** **\*\* Jul. 6, 2021**

- (54) **LEG LIFT DEVICE**
- (71) Applicant: **VIVE HEALTH LLC**, Naples, FL (US)
- (72) Inventors: **Cynthia S. Hardin-Weiss**, O Fallon, IL (US); **Christina S. Hardin-Weiss**, O Fallon, IL (US)
- (73) Assignee: **VIVE HEALTH LLC**, Naples, FL (US)
- (\*\*) Term: **15 Years**
- (21) Appl. No.: **29/725,465**
- (22) Filed: **Feb. 25, 2020**
- (51) **LOC (13) Cl.** ..... **21-02**
- (52) **U.S. Cl.**  
USPC ..... **D21/662**
- (58) **Field of Classification Search**  
USPC ..... D21/662, 673, 682, 685, 771, 773, 774, D21/753  
CPC ..... A61H 2201/0207; A61H 23/0262; A61H 2201/1284; A61H 2015/0014  
See application file for complete search history.

9,914,004 B2 \* 3/2018 Hatfield ..... A63B 21/00185  
10,143,611 B2 \* 12/2018 Thomas ..... A61H 1/0237  
D839,947 S \* 2/2019 Cunningham ..... D16/237  
(Continued)

**OTHER PUBLICATIONS**

Leg lifter strap, announced 2016 [online] [site visited Feb. 2, 2021]. Available from internet, URL: [https://www.amazon.com/Leg-Lifter-Strap-Vive-Replacement/dp/B01IPXWBCI/ref=sr\\_1\\_8?dchild=1&keywords=LEG+LIFT&qid=1612299646&sr=8-8](https://www.amazon.com/Leg-Lifter-Strap-Vive-Replacement/dp/B01IPXWBCI/ref=sr_1_8?dchild=1&keywords=LEG+LIFT&qid=1612299646&sr=8-8) (Year: 2016).\*

*Primary Examiner* — Khawaja Anwar  
*Assistant Examiner* — Julice Seung Eun Oum  
(74) *Attorney, Agent, or Firm* — Workman Nydegger

(57) **CLAIM**

The ornamental design for a leg lift device, as shown and described.

**DESCRIPTION**

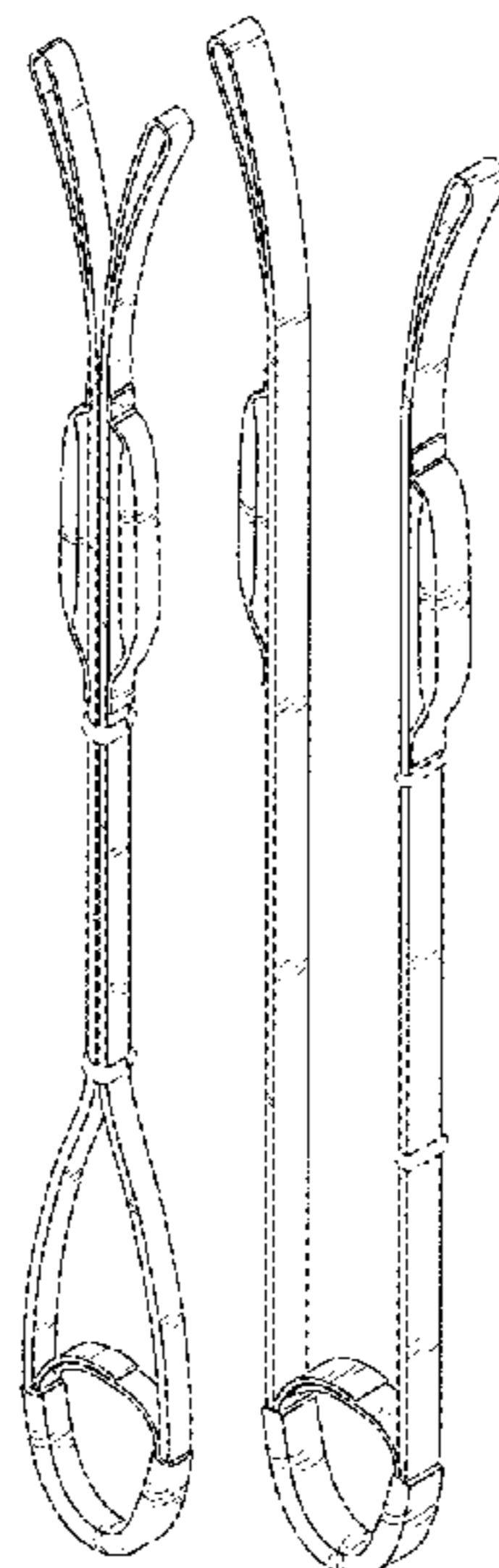
FIG. 1 is a front perspective view of a leg lift device showing the new design;  
FIG. 2 is a front elevation view thereof;  
FIG. 3 is a back elevation view thereof;  
FIG. 4 is a top plan view thereof;  
FIG. 5 is a bottom plan view thereof;  
FIG. 6 is a right elevation view thereof;  
FIG. 7 is a left elevation view thereof;  
FIG. 8 is another front perspective view of the leg lift device of FIG. 1 in another configuration;  
FIG. 9 is another front elevation view thereof;  
FIG. 10 is another back elevation view thereof;  
FIG. 11 is another top plan view thereof;  
FIG. 12 is another bottom plan view thereof;  
FIG. 13 is another right elevation view thereof; and,  
FIG. 14 is another left elevation view thereof.  
The broken lines in the drawings are for the purpose of illustrating portions of the leg lift device that form no part of the claimed design.

**1 Claim, 6 Drawing Sheets**

(56) **References Cited**

**U.S. PATENT DOCUMENTS**

- 5,518,486 A \* 5/1996 Sheeler ..... A63B 21/0004  
482/131  
5,653,668 A \* 8/1997 Wilkinson ..... A63B 21/0004  
482/121  
5,704,856 A \* 1/1998 Morse ..... A63B 21/0004  
473/212  
7,175,574 B2 \* 2/2007 Carmel ..... A63B 21/0004  
482/124  
7,223,212 B2 \* 5/2007 DiOrio ..... A63B 21/0023  
482/83  
D609,758 S \* 2/2010 Baldwin ..... D21/662  
7,955,236 B2 \* 6/2011 DiGiovanni ..... A63B 21/4015  
482/124  
9,630,081 B2 \* 4/2017 Gillespie ..... A63B 21/0555



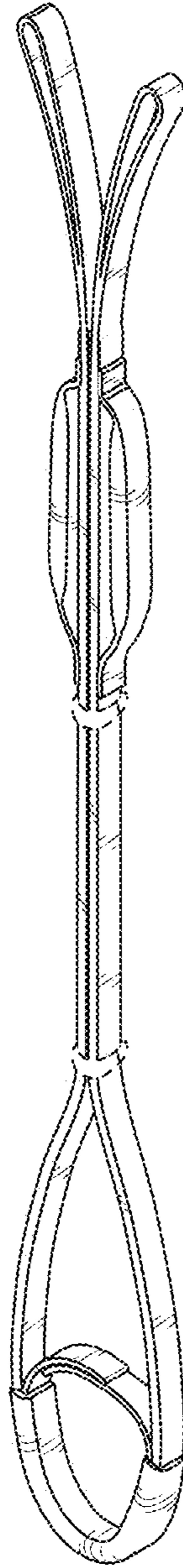
(56)

**References Cited**

U.S. PATENT DOCUMENTS

D872,200 S \* 1/2020 Antezana ..... D21/692  
2004/0073148 A1\* 4/2004 Urban ..... A61F 5/3738  
602/4  
2007/0265145 A1\* 11/2007 Teng ..... A63B 21/0004  
482/91

\* cited by examiner



**FIG. 1**

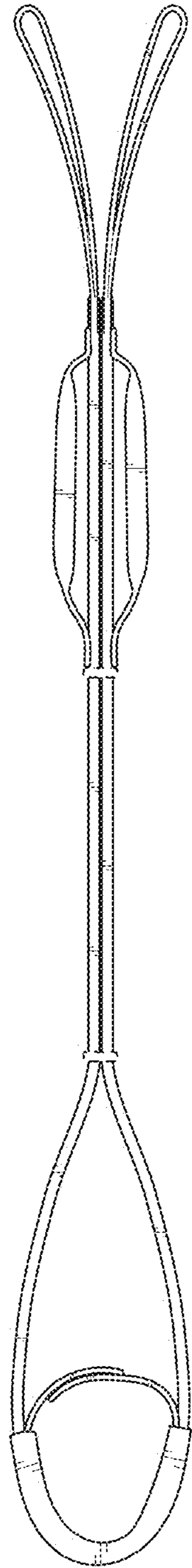


FIG. 2

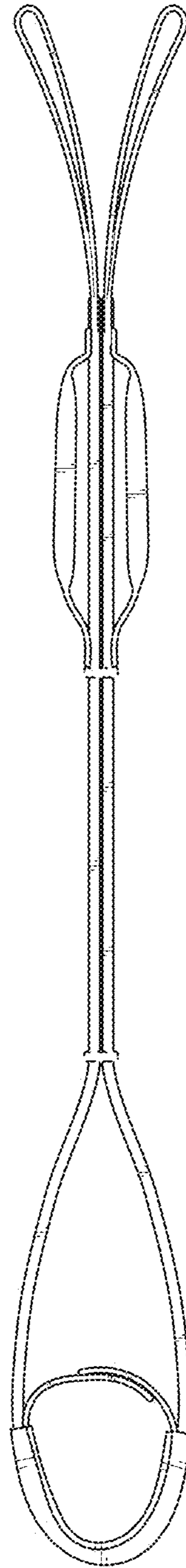


FIG. 3



**FIG. 4**



**FIG. 5**



**FIG. 6**



**FIG. 7**

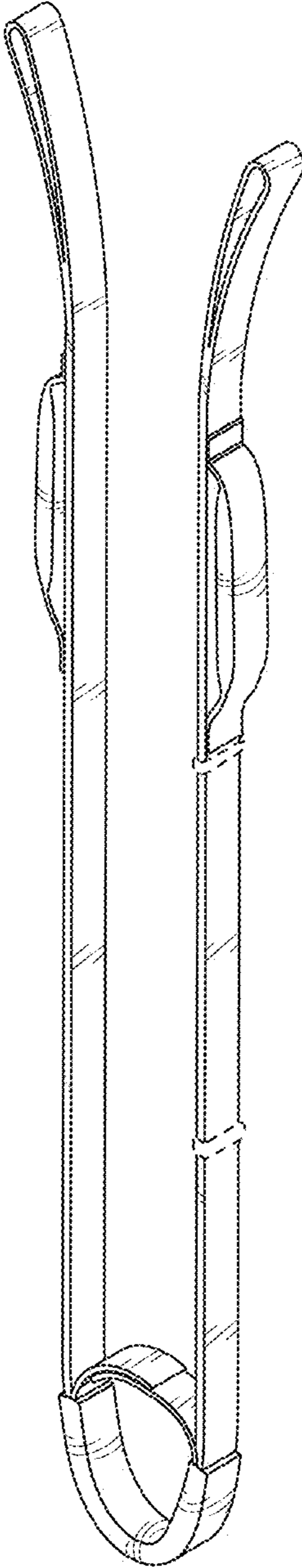


FIG. 8

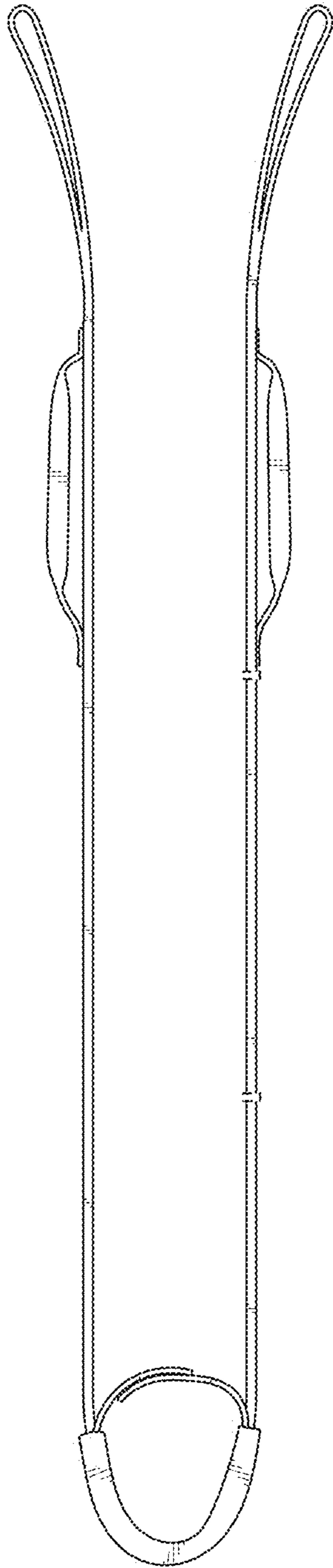


FIG. 9

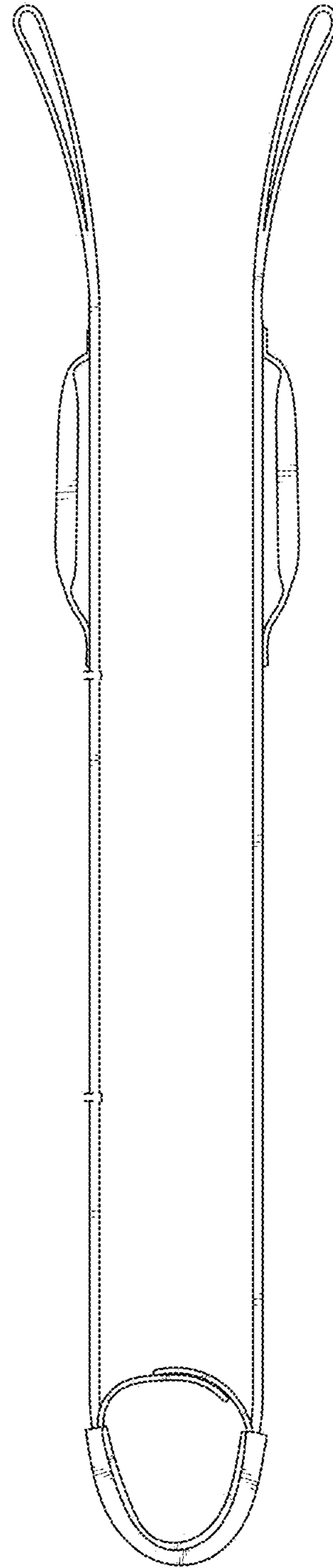


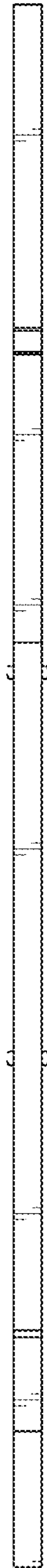
FIG. 10



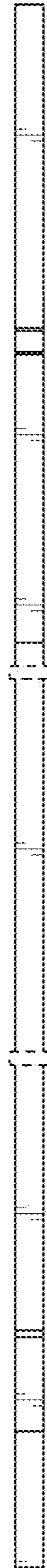
**FIG. 11**



**FIG. 12**



**FIG. 13**



**FIG. 14**