



US00D924337S

(12) **United States Design Patent** (10) **Patent No.:** **US D924,337 S**  
**Sakai** (45) **Date of Patent:** **\*\* Jul. 6, 2021**

(54) **DECORATION BASE FOR TOY BEADS**

FOREIGN PATENT DOCUMENTS

(71) Applicant: **EPOCH COMPANY LTD**, Tokyo (JP)

CN 300894262 \* 3/2009  
CN 302349099 \* 3/2013

(72) Inventor: **Ryo Sakai**, Tokyo (JP)

(Continued)

(73) Assignee: **EPOCH COMPANY, LTD.**, Tokyo (JP)

OTHER PUBLICATIONS

(\*\*) Term: **15 Years**

“Vintage Cast iron toy horse carriage,” 1960, etsy.com, site visited Apr. 2, 2021, URL: <https://www.etsy.com/listing/687576331/vintage-cast-iron-toy-horse-carriage> (Year: 1960).\*

(21) Appl. No.: **29/689,481**

(Continued)

(22) Filed: **Apr. 30, 2019**

*Primary Examiner* — Eric L Goodman

*Assistant Examiner* — Sarah L Smith

(30) **Foreign Application Priority Data**

Nov. 2, 2018 (JP) ..... 2018-024150

(74) *Attorney, Agent, or Firm* — Fitzgerald IP Law; John K Fitzgerald, Esq.

(51) **LOC (13) Cl.** ..... **21-01**

(57) **CLAIM**

(52) **U.S. Cl.**

The ornamental design for a decoration base for toy beads, as shown and described.

USPC ..... **D21/535**

(58) **Field of Classification Search**

**DESCRIPTION**

USPC ..... D12/13–15, 82, 83, 86, 88, 89, 90, 91, D12/93, 94, 95, 97, 98, 99; D21/424, D21/427, 433, 434, 477, 483, 533, 535, D21/548–563, 580, 581; 296/181.1, 296/181.5, 181.3, 183.1, 37.6, 177, 178, 296/180; 446/88, 93, 95, 102, 448  
CPC ..... B60R 9/06; B62D 35/00; B60C 2200/20; B62B 5/0033; A63H 17/162; A63H 17/262; A63H 17/264; A63H 17/38; A63H 17/004; A63H 17/26; A63H 17/266; A63H 17/36;

FIG. 1 is a perspective view of portions of the front, top, and left sides of a decoration base for toy beads showing my new design;

FIG. 2 is a perspective view of portions of the rear, bottom, and right sides thereof;

FIG. 3 is a front view thereof;

FIG. 4 is a rear view thereof;

FIG. 5 is a top view thereof;

FIG. 6 is a bottom view thereof;

FIG. 7 is a right side view thereof;

FIG. 8 is a left side view thereof; and,

FIG. 9 is reference view of the decoration base for toy beads of FIG. 1 showing a horse figure drawn in broken lines.

The broken lines shown are included for the purpose of illustrating portions of the article which form no part of the claimed design.

(Continued)

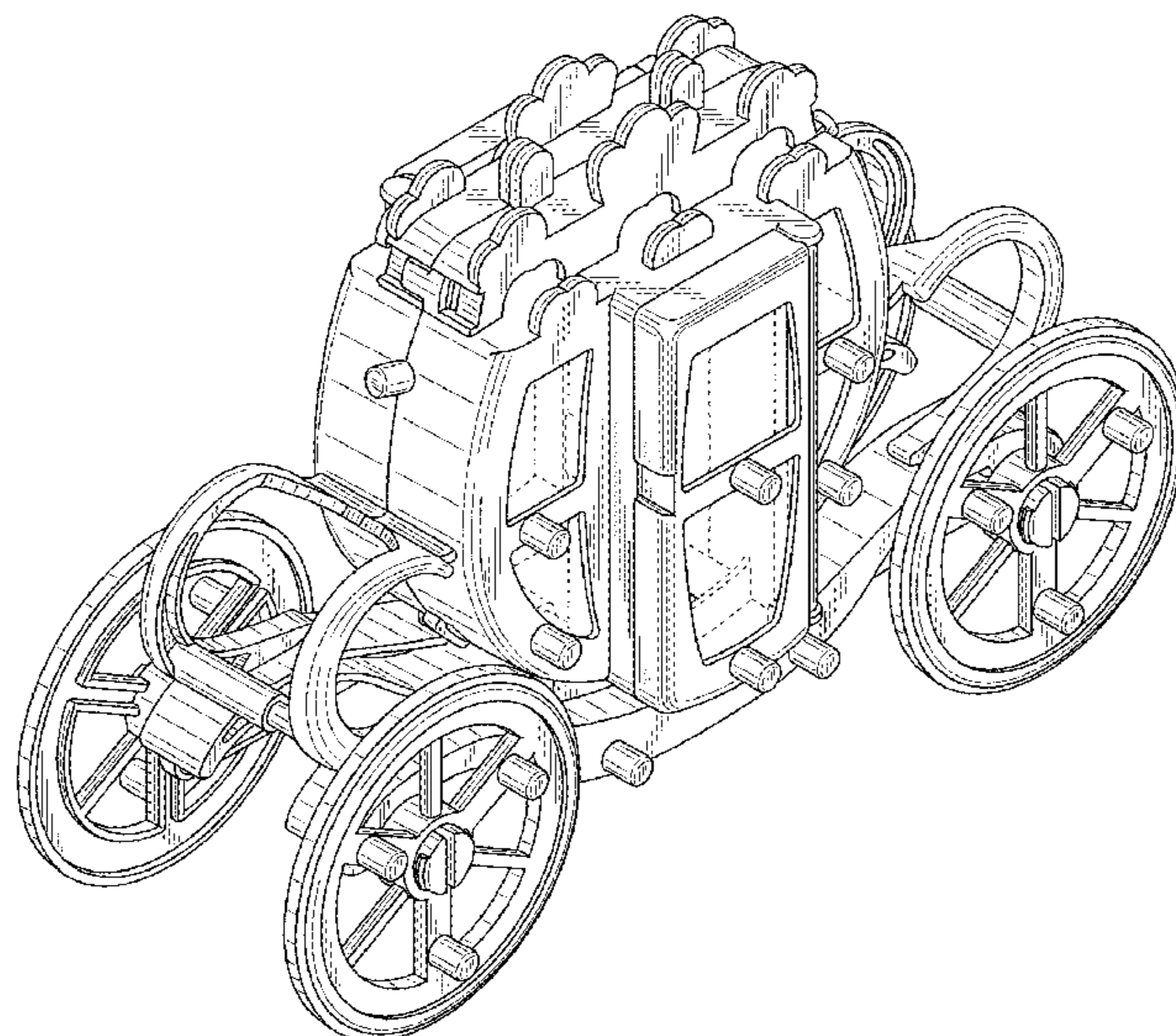
(56) **References Cited**

U.S. PATENT DOCUMENTS

RE3,092 E \* 8/1868 Mayo ..... 296/180  
532,649 A \* 1/1895 Downey ..... B62D 33/02  
296/180

(Continued)

**1 Claim, 9 Drawing Sheets**



(58) **Field of Classification Search**

CPC ..... A63H 29/00; A63H 29/22; A63H 29/24;  
A63H 30/04

See application file for complete search history.

FOREIGN PATENT DOCUMENTS

CN	304184998	*	6/2017
CN	304711908	*	5/2018

OTHER PUBLICATIONS

(56) **References Cited**

U.S. PATENT DOCUMENTS

D28,577	S	*	5/1898	Streich	.....	A61G 5/045 D12/13
1,325,957	A	*	12/1919	Rude	.....	A47G 29/12 296/180
D87,046	S	*	5/1932	Butler	.....	D12/88
3,664,450	A	*	5/1972	Udden	.....	A61G 5/045 180/65.1
4,674,762	A	*	6/1987	Nelson	.....	B62M 1/00 267/273
D849,158	S	*	5/2019	Qi	.....	D21/548
D885,253	S	*	5/2020	Sakai	.....	A63H 33/08 D11/159
2019/0329144	A1	*	10/2019	Sakai	.....	A63H 33/08

“Mini Cinderella Horse & Carriage Coach,” Nov. 21, 2015 (in review), amazon.com, site visited Apr. 2, 2021, URL: [https://www.amazon.com/Cinderella-Carriage-Topper-Centerpiece-Keepsake/dp/B00UY3MG6E/ref=sr\\_1\\_18?dchild=1&keywords=Horse%2BCarriage&qid=1617371298&sr=8-18&th=1](https://www.amazon.com/Cinderella-Carriage-Topper-Centerpiece-Keepsake/dp/B00UY3MG6E/ref=sr_1_18?dchild=1&keywords=Horse%2BCarriage&qid=1617371298&sr=8-18&th=1) (Year: 2015).\*

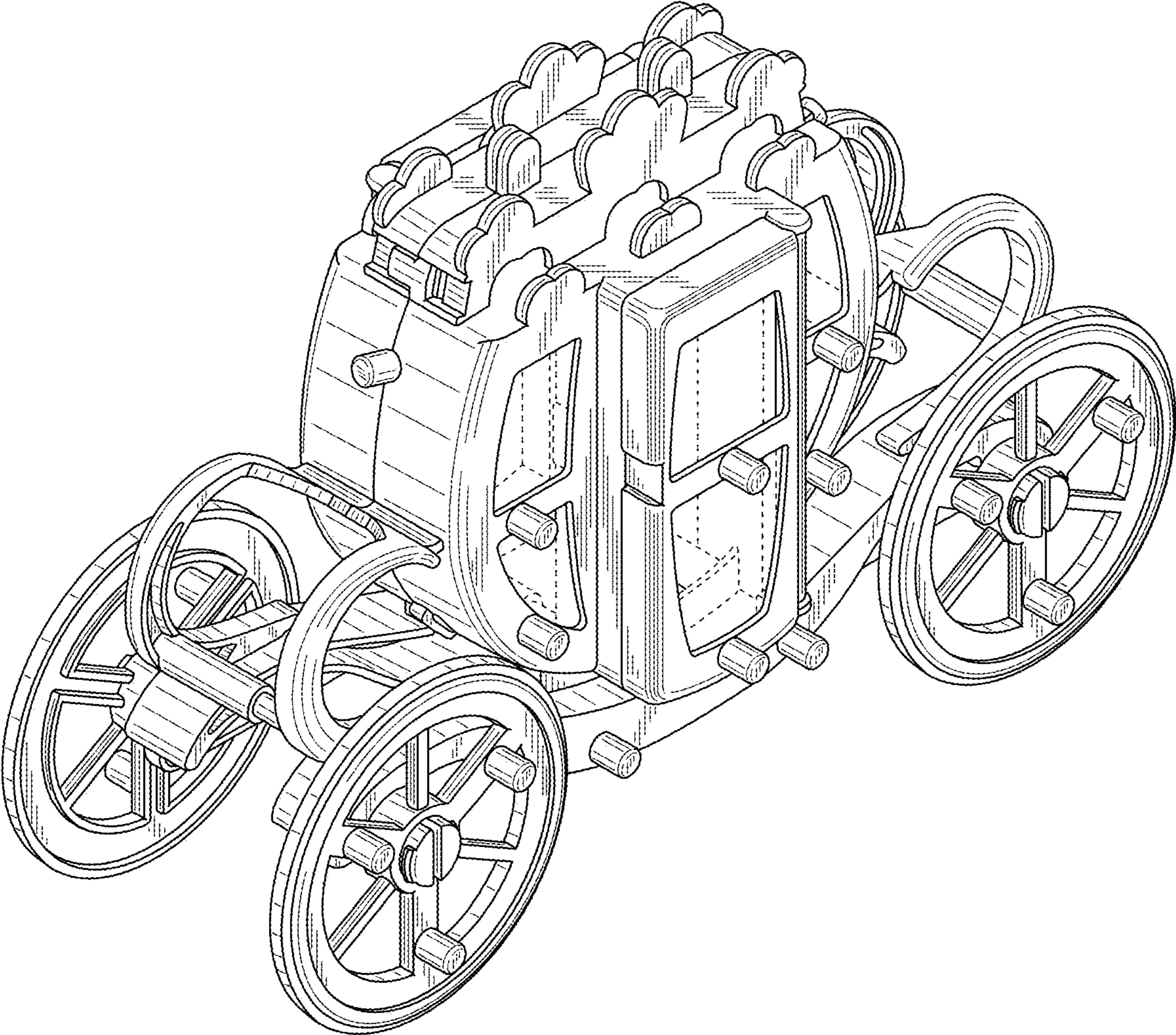
“Aquabeads 3D Crystal Unicorn Carriage Set,” Apr. 25, 2019, youtube.com, site visited Apr. 2, 2021, URL: <https://www.youtube.com/watch?v=wk7c2-ObKY0> (Year: 2019).\*

“郁峰模型玩具,” Mar. 28, 2019, facebook.com, site visited Apr. 2, 2021, URL: <https://www.facebook.com/%E9%83%81%E5%B3%B0%E6%A8%A1%E5%9E%8B%E7%8E%A9%E5%85%B7-1518937615078499/photos/pcb.1997191510586438/1997191207253135> (Year: 2019).\*

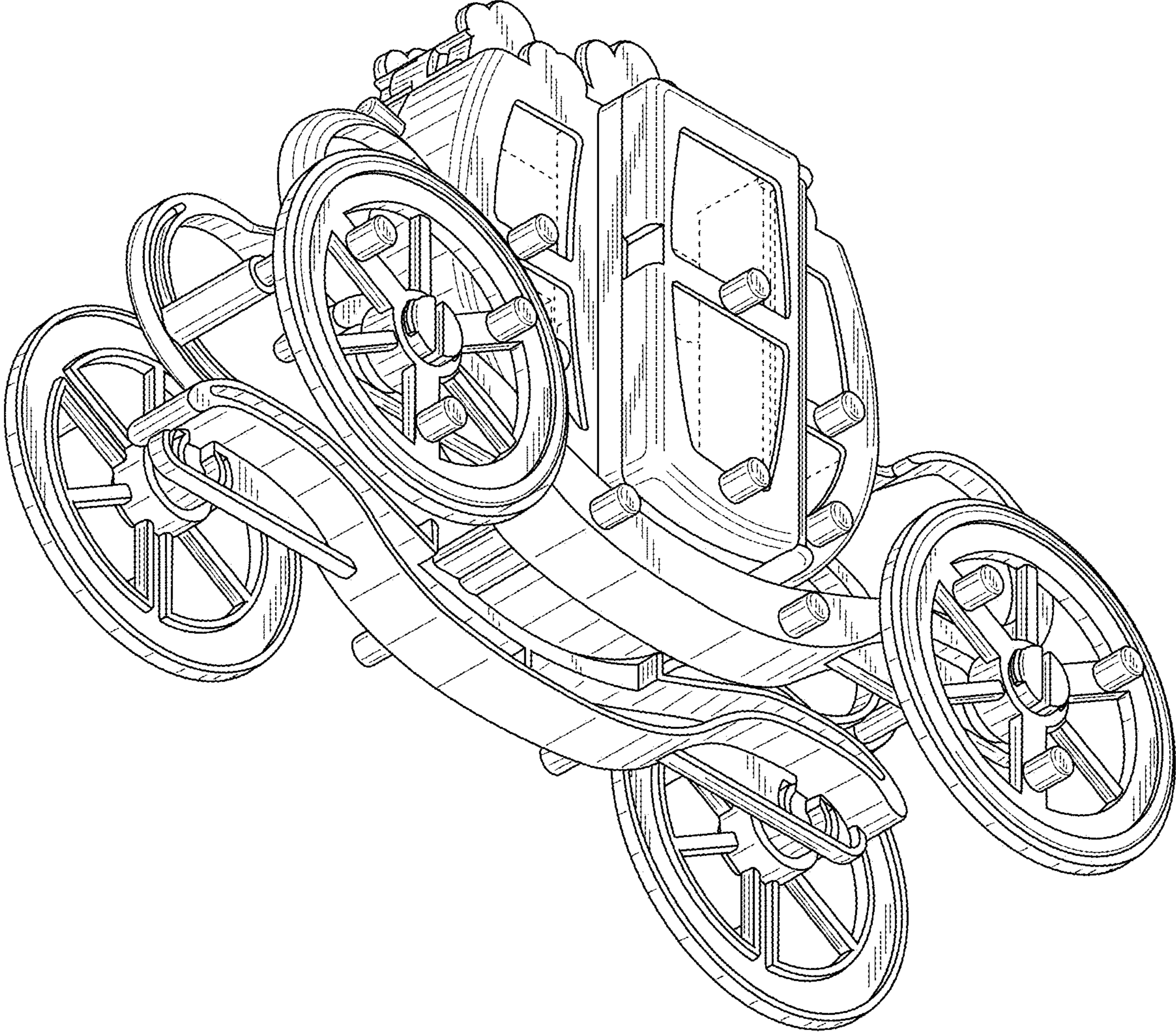
“EPOCH Aqua Beads 3D Royal Carriage Set,” Apr. 28, 2019, amazon.com, site visited Apr. 2, 2021, URL: <https://www.amazon.com/epoch-aqua-beads-royal-carriage/dp/b07nppk2sc> (Year: 2019).\*

\* cited by examiner

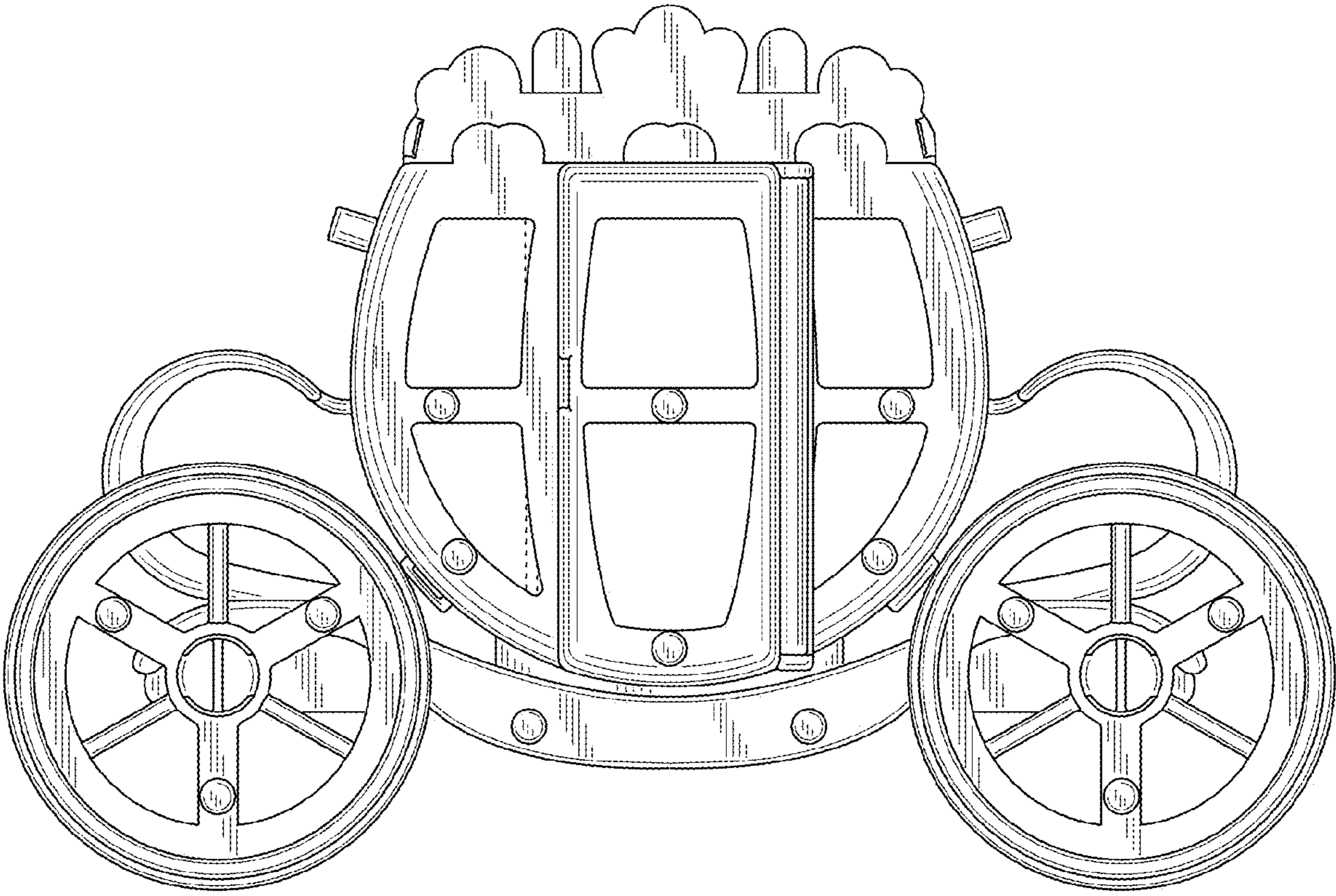
**FIG. 1**



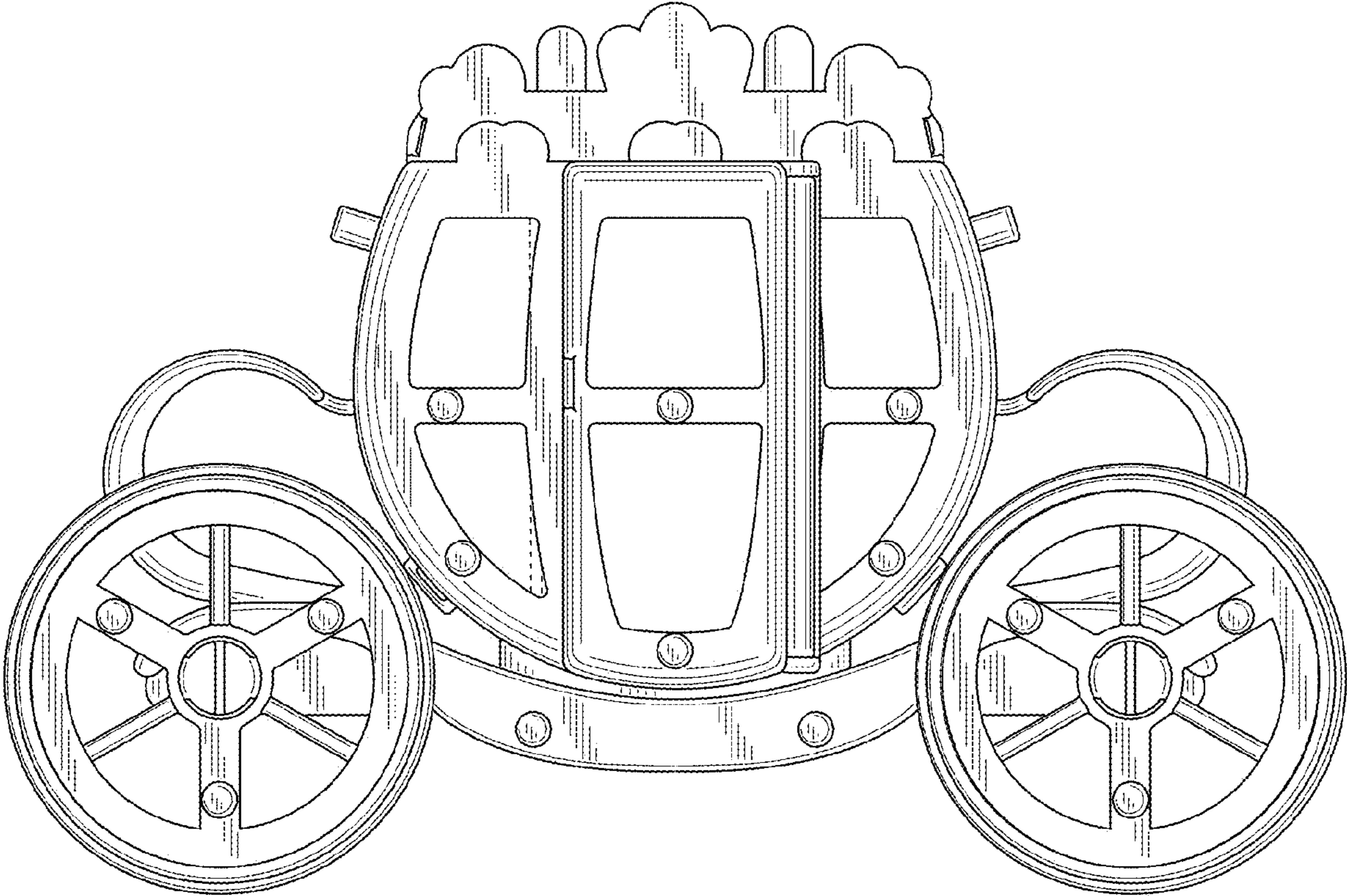
**FIG. 2**



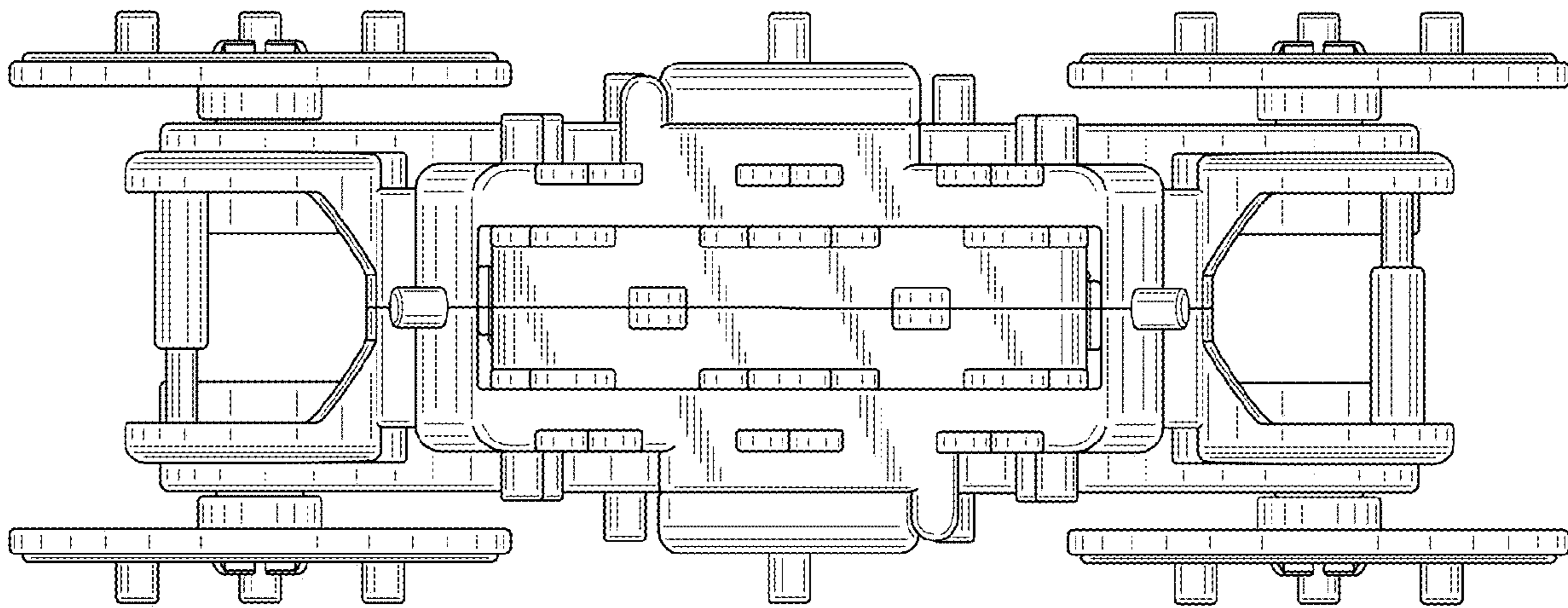
**FIG. 3**



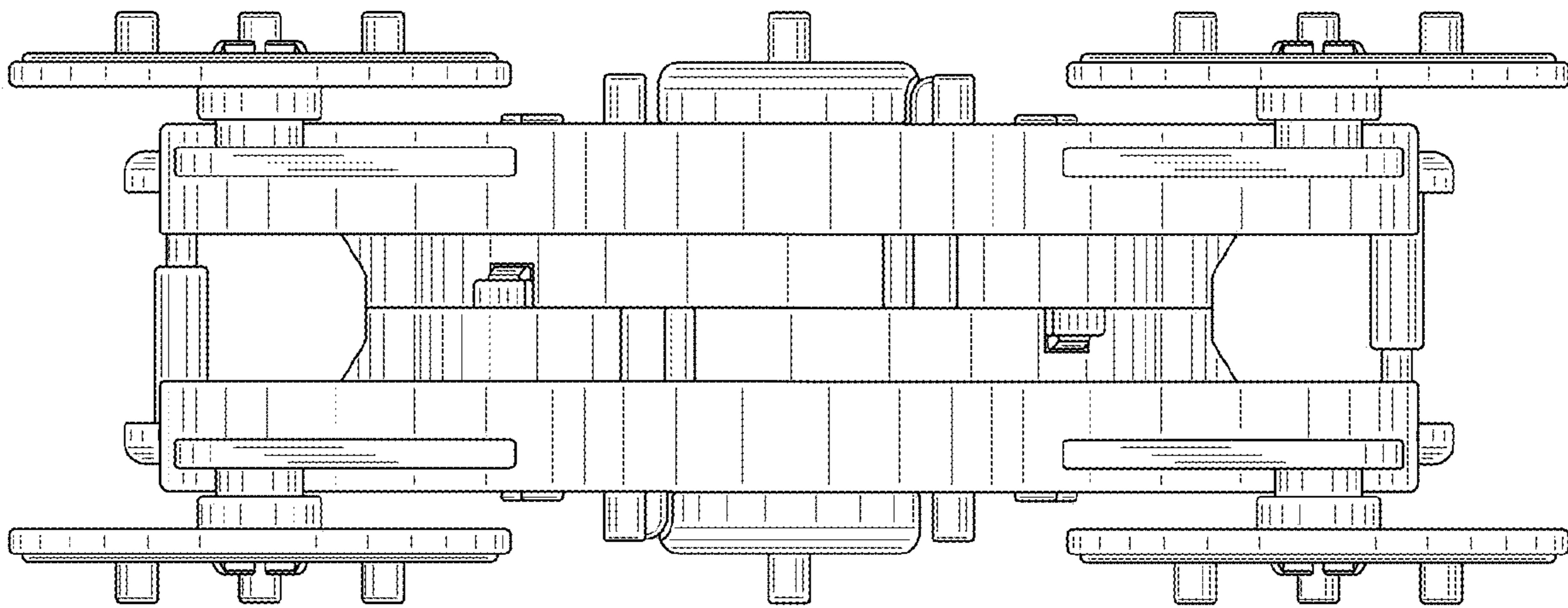
**FIG. 4**



*FIG. 5*

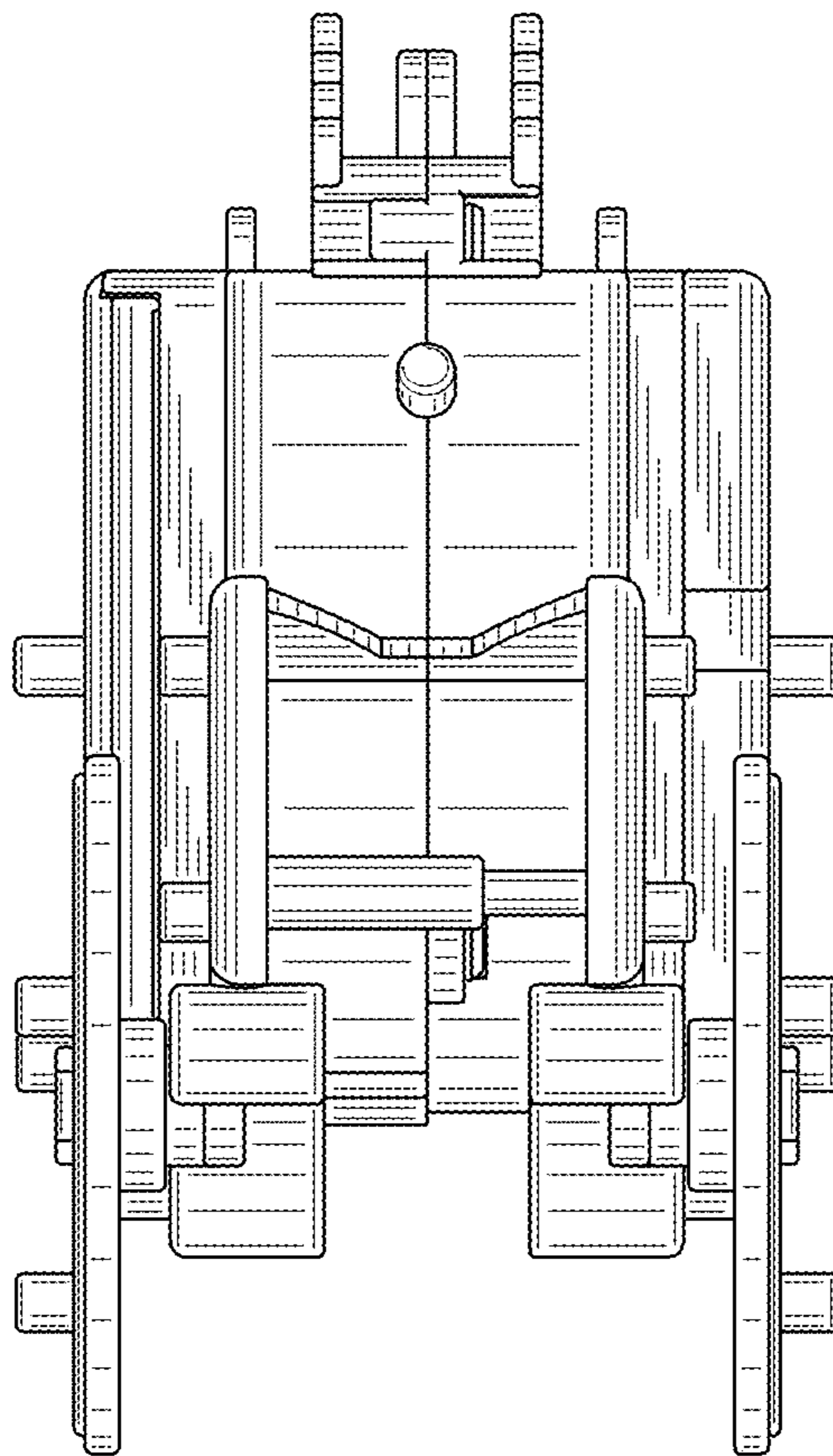


*FIG. 6*

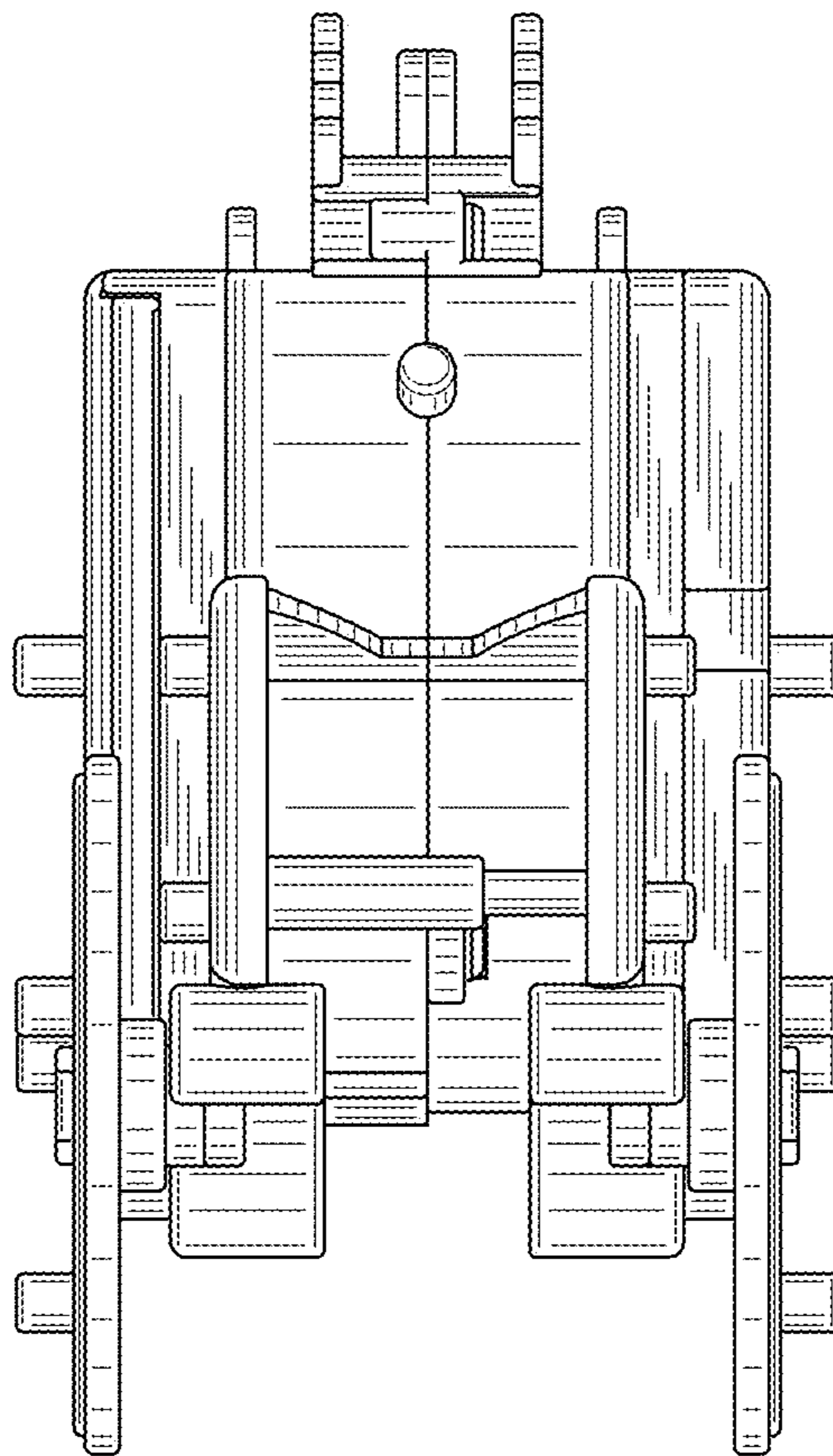




***FIG. 7***



*FIG. 8*



**FIG. 9**

