



US00D924334S

(12) **United States Design Patent** (10) **Patent No.:** **US D924,334 S**
Chatterjee et al. (45) **Date of Patent:** **** *Jul. 6, 2021**

(54) **GAMING CONSOLE**
(71) Applicant: **Microsoft Corporation**, Redmond, WA (US)
(72) Inventors: **Monique Chatterjee**, Seattle, WA (US); **Matthew C. Harvey**, Seattle, WA (US); **Austin R. Porter**, Salem, MA (US); **Richard T. Hanks**, Arlington, MA (US)
(73) Assignee: **Microsoft Corporation**, Redmond, WA (US)

D341,280 S 11/1993 Garmon
D362,243 S 9/1995 Spechts et al.
D369,789 S 5/1996 Lucente, II et al.
D378,676 S 4/1997 Goodman et al.
D393,451 S 4/1998 Faranda et al.
(Continued)

FOREIGN PATENT DOCUMENTS

JP 2002246639 A 8/2002
JP 2002323633 A 11/2002
(Continued)

OTHER PUBLICATIONS

Way Back Machine [online], [retrieved Jan. 16, 2013]. Retrieved from internet, <http://web.archive.org/web/20130116120917/http://www.klipsch.com/gallery-g17-air>.
(Continued)

(*) Notice: This patent is subject to a terminal disclaimer.

(**) Term: **15 Years**

(21) Appl. No.: **29/704,059**

(22) Filed: **Aug. 30, 2019**

(51) **LOC (13) Cl.** **21-01**

(52) **U.S. Cl.**
USPC **D21/332**

(58) **Field of Classification Search**
USPC D21/324, 330, 332, 333; D14/299, 496, D14/502, 505, 506; D13/168
CPC A63F 13/24; A63F 9/00; A63F 9/24; A63F 11/00; A63F 13/00; A63F 13/02; A63F 2300/00; G07F 17/00
See application file for complete search history.

(56) **References Cited**

U.S. PATENT DOCUMENTS

D139,369 S 11/1944 Dann
D287,365 S 12/1986 Judd
D293,493 S 12/1987 Gaff
D327,991 S 7/1992 Oldorf
D330,021 S 10/1992 Kline et al.
5,196,993 A 3/1993 Herron et al.
D336,287 S 6/1993 Mizusugi et al.
D338,882 S 8/1993 Reiter

Primary Examiner — Sandra Snapp
Assistant Examiner — Mehri Bajoul
(74) *Attorney, Agent, or Firm* — Banner & Witcoff, Ltd.

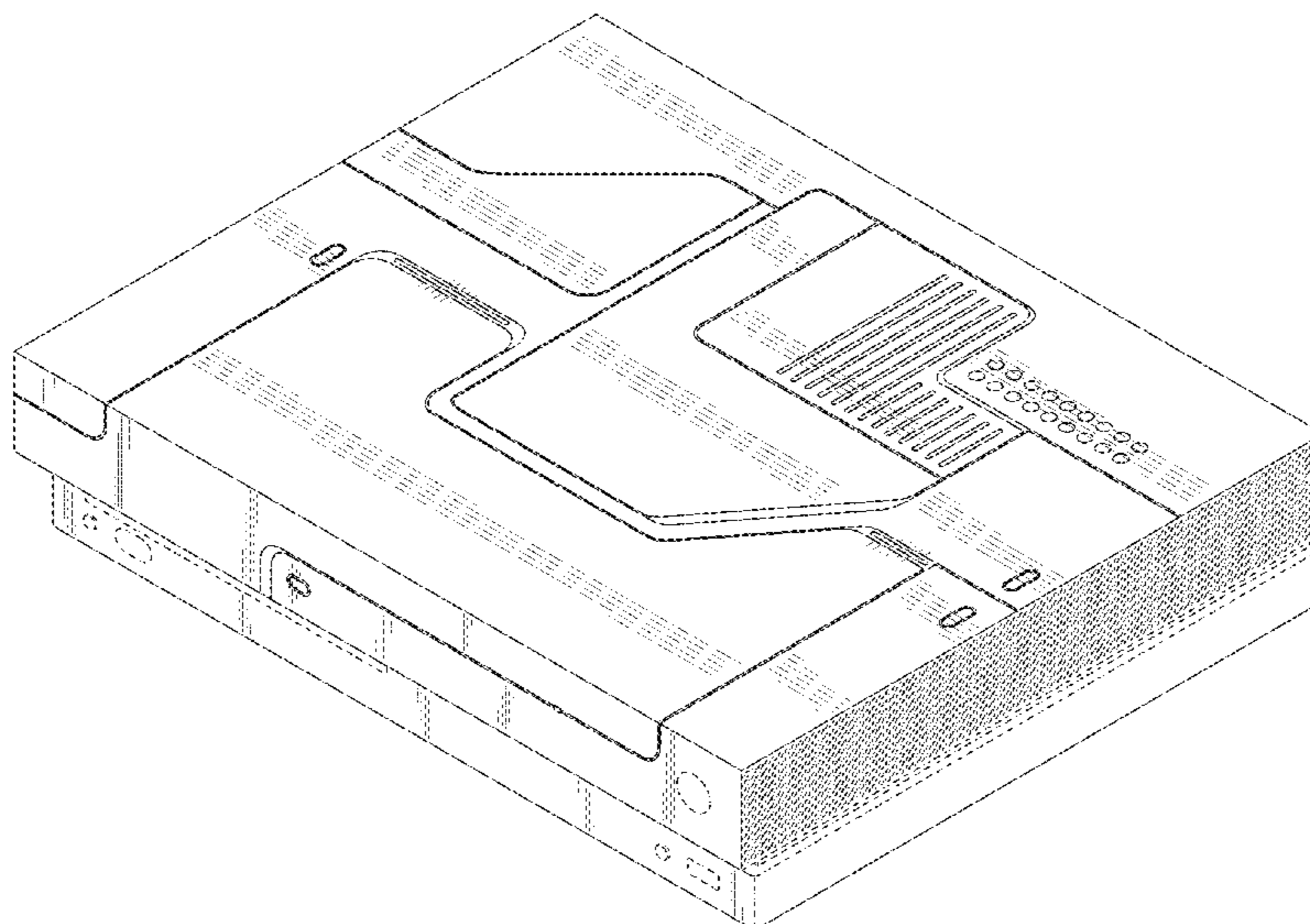
(57) **CLAIM**

The ornamental design for a gaming console, as shown and described.

DESCRIPTION

FIG. 1 is a top front perspective view of a gaming console showing our new design;
FIG. 2 is a bottom front perspective view thereof;
FIG. 3 is a front view thereof;
FIG. 4 is a rear view thereof;
FIG. 5 is a right side view thereof;
FIG. 6 is a left side view thereof;
FIG. 7 is a top view thereof; and,
FIG. 8 is a bottom view thereof.
The broken lines in the drawings depict portions of the gaming console that form no part of the claimed design.

1 Claim, 8 Drawing Sheets



(56)

References Cited

U.S. PATENT DOCUMENTS

D395,640 S 6/1998 Goodman et al.
 D402,641 S 12/1998 Heijnen
 5,914,707 A 6/1999 Kono
 D412,319 S 7/1999 Lee et al.
 D415,740 S 10/1999 Lee et al.
 D415,741 S 10/1999 Lee et al.
 D416,547 S 11/1999 Lee et al.
 D425,731 S 5/2000 So
 6,115,249 A 9/2000 Cipolla et al.
 D435,272 S 12/2000 Swanson et al.
 D438,543 S 3/2001 Goto
 D441,759 S 5/2001 Goto
 D452,282 S 12/2001 Stewart et al.
 D452,495 S 12/2001 Murnaghan et al.
 D452,867 S 1/2002 Goto
 D454,136 S 3/2002 Deuschle
 D458,269 S 6/2002 Goto
 6,497,013 B1 12/2002 Goto et al.
 D472,403 S 4/2003 Bogish et al.
 6,565,444 B2 5/2003 Nagata et al.
 6,599,194 B1 7/2003 Smith et al.
 D486,492 S 2/2004 Sheu et al.
 6,908,387 B2 6/2005 Hedrick et al.
 6,930,600 B1 8/2005 Hsieh
 6,941,181 B1 9/2005 Mathurin
 D512,699 S * 12/2005 Ng D14/135
 D513,267 S * 12/2005 Chen D14/496
 D513,414 S * 1/2006 Nagao D14/496
 D514,563 S * 2/2006 Kuramashi D14/349
 D515,546 S * 2/2006 Mu D14/203.3
 D516,055 S * 2/2006 Chen D14/188
 D517,032 S * 3/2006 Carbone D14/496
 D517,514 S * 3/2006 Wu D14/167
 D519,978 S * 5/2006 Sogabe D14/506
 D524,242 S 7/2006 Adams et al.
 7,090,582 B2 8/2006 Danieli et al.
 D554,582 S 11/2007 Iseki
 D557,680 S 12/2007 Corsini
 D561,186 S 2/2008 Kawase
 D568,276 S 5/2008 Ikeda et al.
 D576,686 S 9/2008 Ashida et al.
 D606,094 S 12/2009 Kimura
 D610,625 S 2/2010 Guinchard et al.
 D641,024 S 7/2011 Zenri et al.
 D647,918 S 11/2011 Ledbetter et al.
 D650,448 S 12/2011 Zenri et al.
 D655,351 S 3/2012 Zenri et al.
 D656,555 S 3/2012 Zenri et al.
 D657,788 S 4/2012 Ledbetter et al.
 D664,993 S 8/2012 Ledbetter et al.
 D665,424 S 8/2012 Ledbetter et al.
 D666,680 S 9/2012 Mercier et al.
 D680,174 S 4/2013 Mercier et al.
 D685,795 S 7/2013 Paschke et al.
 D692,009 S 10/2013 Ashida et al.
 D692,437 S 10/2013 Sugino et al.
 D693,297 S 11/2013 Inskeep
 D700,246 S 2/2014 Jacobs et al.
 D701,213 S 3/2014 Pajic
 D705,361 S 5/2014 Jacobs et al.
 D705,869 S 5/2014 Jacobs et al.
 D705,870 S 5/2014 Jacobs et al.
 D705,871 S 5/2014 Jacobs et al.
 D708,971 S * 7/2014 Jacobs D10/70
 D709,133 S 7/2014 Jacobs et al.
 D709,134 S 7/2014 Dallmeyer et al.
 D709,959 S 7/2014 Jacobs et al.
 D711,258 S * 8/2014 Jacobs D10/70
 D711,885 S 8/2014 Ohshima et al.
 D711,923 S 8/2014 Dallmeyer et al.
 D712,350 S 9/2014 Smith et al.
 D713,420 S 9/2014 Dallmeyer et al.
 D719,958 S 12/2014 Dallmeyer et al.
 D721,138 S 1/2015 Barinaga et al.
 D722,116 S 2/2015 Gottschalk

D723,469 S * 3/2015 Morris D13/147
 D725,658 S 3/2015 Stevenson et al.
 D726,729 S 4/2015 Lim
 D730,905 S 6/2015 Li
 D732,036 S 6/2015 Lee et al.
 D747,322 S 1/2016 Li
 D766,984 S 9/2016 Chatterjee et al.
 D766,985 S 9/2016 Chatterjee et al.
 D768,639 S 10/2016 Sumii
 D782,536 S * 3/2017 Chu D14/496
 D783,397 S * 4/2017 Riffe D9/434
 D791,804 S * 7/2017 Reyes D14/486
 D798,955 S * 10/2017 Chatterjee D21/333
 D805,067 S * 12/2017 Sparks D14/332
 D805,086 S 12/2017 Sparks et al.
 D805,130 S * 12/2017 Sparks D21/332
 D805,131 S * 12/2017 Sparks D21/332
 D805,132 S 12/2017 Sparks et al.
 D805,133 S 12/2017 Sparks et al.
 D810,118 S * 2/2018 Chen D14/487
 D812,048 S * 3/2018 Mazz D14/341
 D820,358 S * 6/2018 Sparks D21/332
 D826,334 S 8/2018 Christie et al.
 D826,335 S 8/2018 Christie et al.
 D826,336 S * 8/2018 Christie D21/332
 D826,337 S * 8/2018 Christie D21/332
 D827,032 S 8/2018 Christie et al.
 D839,353 S * 1/2019 Christie D21/332
 D839,355 S 1/2019 Christie et al.
 D843,351 S * 3/2019 Osborn D14/214
 D843,455 S * 3/2019 Lee D20/27
 D844,578 S * 4/2019 Seflic D14/125
 D867,459 S * 11/2019 Chatterjee D21/333

FOREIGN PATENT DOCUMENTS

JP 2003008054 A 1/2003
 TW D169552 8/2015

OTHER PUBLICATIONS

Nintendo NES [online], [retrieved on May 14, 2013]. Retrieved from internet, <http://gamesdbase.com/system-nintendo_nes.aspx/>.
 “Nintendo Wii Review”, Top 10 Reviews ; URL: <<http://www.toptenreviews.com/electronics/gaming/best-video-game-consoles/nintendo-wii/review/>>; date accessed Sep. 27, 2016.
 “PS4 Console”, PS4 Features, Games & Videos ; <URL:<https://www.playstation.com/en-us/explore/ps4/>>; date accessed Sep. 27, 2016.
 “Sony Playstation 2”, The Video Game Critic’s Console Reviews ; <URL:<http://videogamecritic.com/ps2info.htm>>; date accessed Sep. 27, 2016.
 X Box One S found online [Nov. 2, 2016] http://www.xbox.com/en-US/xbox-one-s?&ocid=PORTALS_SEM_google_microsoft%20xbox&cid=PORTALS_SEM_google_microsoft%20xbox.
 Nov. 30, 2016—U.S. Non-Final Office Action—U.S. Appl. No. 29/564,527, filed May 13, 2016; Inv.: Bryan A. Sparks.
 Nov. 28, 2016—U.S. Non-Final Office Action—U.S. Appl. No. 29/564,514, filed May 13, 2016; Inv.: Bryan A. Sparks.
 Nov. 30, 2016—U.S. Non-Final Office Action—U.S. Appl. No. 29/564,511, filed May 13, 2016; Inv.: Bryan A. Sparks.
 Nov. 28, 2016—U.S. Non-Final Office Action—U.S. Appl. No. 29/564,518, filed May 13, 2016; Inv.: Bryan A. Sparks.
 Nov. 30, 2016—U.S. Non-Final Office Action—U.S. Appl. No. 29/564,522, filed May 13, 2016; Inv.: Bryan A. Sparks.
 AVS Forum; “Receivers, Amps, and Processors”; Publication date unknown but prior to filing date of present application; Date Accessed: Jul. 25, 2017; URL: <<http://www.avforum.com/forum/90-receivers-amps-processors/1502957-onkyo-tx-sr601-any-good.html>>.
 Ixht.com; “DolbyDigital Surround EX, DTS-Es 6.1”; Publication date unknown but prior to filing date of present application; Date Accessed: Jul. 25, 2017; URL: <<http://www.ixht.com/dvd/onkyo-tx-sr-600.shtml>>.

(56)

References Cited

OTHER PUBLICATIONS

Grey Ghost; “Insignia NS-R2000 Stereo Receiver Review”; Publication date unknown but prior to filing date of present application; Date Accessed: Jul. 25, 2017; URL: <<http://greyghost.moos.com/nsr2000-review/>>.

Crutch Field; “Cambridge Audio Topaz SR20”; Publication date unknown but prior to filing date of present application; Date Accessed: Jul. 25, 2017; URL: <https://www1.crutchfield.com/p_779SR20/Cambridge-Audio-Topaz-SR20.html>.

Stereophile; “Arcam FMJ SR250 stereo AV receiver”; Publication date: Jun. 1, 2017; Date Accessed: Jul. 25, 2017; URL: <<https://www.stereophile.com/taxonomy/term-p/143>>.

Electronic House; “Affordable 2-channel Receivers for Great Home Stereo Systems”; Publication date: Apr. 1, 2015; Date Accessed: Jul. 25, 2017; URL: <<https://www.electronichouse.com/home-audio/affordable-2-channel-receivers-great-home-stereo-systems/>>.

Audi Affair; “Arcam FMJ C49 Pre Amplifier”; Publication date unknown but prior to filing date; Date Accessed: Jul. 25, 2017; URL: <<http://www.audioaffair.co.uk/arcam-c49-pre-amplifier>>.

Hifi-Prestige; “Arcam FMJ A 39”; Publication date unknown but prior to filing date; Date Accessed: Jul. 25, 2017; URL: <<http://www.hifiprestige.it/it/amplificatori-integrati/7517-arcam-fmj-a-39.html>>.

Hifi-Prestige; “Arcam FMJ AVR 550”; Publication date unknown but prior to filing date; Date Accessed: Jul. 25, 2017; URL: <<http://www.hifiprestige.it/it/sintoamplificatori-a-v/9343-arcam-fmj-avr-550.html>>.

Hifi-Prestige; “Arcam FMJ C 49”; Publication date unknown but prior to filing date; Date Accessed: Jul. 25, 2017; URL: <<http://www.hifiprestige.it/it/preamplificatori/7514-arcam-fmj-c-49.html>>.

Hifi-Prestige; “Arcam FMJ UDP 411”; Publication date unknown but prior to filing date; Date Accessed: Jul. 25, 2017; URL: <<http://www.hifiprestige.it/it/accessori-multimediali/7519-arcam-fmj-udp-411.html>>.

Hifi-Prestige; “Arcam FMJ A19 Black—Amplificatore Integrato”; Publication date unknown but prior to filing date; Date Accessed: Jul. 25, 2017; URL: <<http://www.hifiprestige.it/it/amplificatori-integrati/6523-arcam-fmj-a19-black.html>>.

Best Buy; “Insignia—200W 2.0-Ch. Stereo Receiver—Black”; Publication date unknown but prior to filing date; Date Accessed: Jul. 25, 2017; URL: <<http://www.bestbuy.com/site/insignia-200w-2-0-ch-stereo-receiver-black/4156007.p?skuId=4156007>>.

Best Buy; “Yamaha—165W 2.0-Ch. Stereo Receiver—Black”; Publication date unknown but prior to filing date; Date Accessed: Jul. 25, 2017; URL: <<http://www.bestbuy.com/site/yamaha-165w-2-0-ch-stereo-receiver-black/3817026.p?skuId=3817026>>.

Best Buy; “Denon—AVR 5.2-Ch. 4K Ultra HD and 3D Pass-Through A/V Home Theater Receiver—Black”; Publication date unknown but prior to filing date; Date Accessed: Jul. 25, 2017; URL: <<http://www.bestbuy.com/site/denon-avr-5-2-ch-4k-ultra-hd-and-3d-pass-through-a-v-home-theater-receiver-black/5756606.p?skuId=5756606>>.

Best Buy; “Yamaha—5.1-Ch. 4K Ultra HD and 3D Pass-Through A/V Home Theater Receiver—Black”; Publication date unknown but prior to filing date; Date Accessed: Jul. 25, 2017; URL: <<http://www.bestbuy.com/site/yamaha-5-1-ch-4k-ultra-hd-and-3d-pass-through-a-v-home-theater-receiver-black/5784593.p?skuId=5784593>>.

Apr. 5, 2017—U.S. Final Office Action—U.S. Appl. 29/564,511, filed May 13, 2016; Inv.: Bryan A. Sparks.

Aug. 21, 2017—U.S. Notice of Allowance—U.S. Appl. 29/564,511, filed May 13, 2016; Inv.: Bryan A. Sparks.

Jan. 3, 2014—U.S. Notice of Allowance—U.S. Appl. No. 29/447,078, filed Feb. 28, 2013; Inv.: Joel B. Jacobs.

Jan. 6, 2014—U.S. Non-Final Office Action—U.S. Appl. No. 29/447,082, filed Feb. 28, 2013; Inv.: Joel B. Jacobs.

Mar. 12, 2014—U.S. Notice of Allowance—U.S. Appl. No. 29/447,082, filed Feb. 28, 2013; Inv.: Joel B. Jacobs.

Jan. 6, 2014—U.S. Notice of Allowance—U.S. Appl. No. 29/447,085, filed Feb. 28, 2013; Inv.: Joel B. Jacobs.

Jan. 2, 2014—U.S. Requirement for Restriction—U.S. Appl. No. 29/447,089, filed Feb. 28, 2013; Inv.: Joel B. Jacobs.

Mar. 14, 2014—U.S. Notice of Allowance—U.S. Appl. No. 29/447,089, filed Feb. 28, 2013; Inv.: Joel B. Jacobs.

Jan. 6, 2014—U.S. Notice of Allowance—U.S. Appl. No. 29/447,094, filed Feb. 28, 2013; Inv.: Joel B. Jacobs.

Jan. 7, 2014—U.S. Notice of Allowance—U.S. Appl. No. 29/447,097, filed Feb. 28, 2013; Inv.: Joel B. Jacobs.

Jan. 7, 2014—U.S. Notice of Allowance—U.S. Appl. No. 29/447,100, filed Feb. 28, 2013; Inv.: Joel B. Jacobs.

Apr. 5, 2017—U.S. Final Office Action—U.S. Appl. No. 29/564,514, filed May 13, 2016; Inv.: Bryan A. Sparks.

Aug. 23, 2017—U.S. Notice of Allowance—U.S. Appl. No. 29/564,514, filed May 13, 2016; Inv.: Bryan A. Sparks.

Apr. 5, 2017—U.S. Final Office Action—U.S. Appl. No. 29/564,518, filed May 13, 2016; Inv.: Bryan A. Sparks.

Aug. 23, 2017—U.S. Notice of Allowance—U.S. Appl. No. 29/564,518, filed May 13, 2016; Inv.: Bryan A. Sparks.

Apr. 5, 2017—U.S. Final Office Action—U.S. Appl. No. 29/564,522, filed May 13, 2016; Inv.: Bryan A. Sparks.

Aug. 23, 2017—U.S. Notice of Allowance—U.S. Appl. No. 29/564,522, filed May 13, 2016; Inv.: Bryan A. Sparks.

Apr. 21, 2017—U.S. Non-Final Office Action—U.S. Appl. No. 29/566,652, filed Jun. 1, 2016; Inv.: Bryan A. Sparks.

Sep. 13, 2017—U.S. Notice of Allowance—U.S. Appl. No. 29/566,652, filed Jun. 1, 2016; Inv.: Bryan A. Sparks.

Jun. 1, 2017—U.S. Non-Final Office Action—U.S. Appl. No. 29/564,601, filed May 13, 2016; Inv.: Bryan A. Sparks.

Apr. 5, 2017—U.S. Final Office Action—U.S. Appl. No. 29/564,527, filed May 13, 2016; Inv.: Bryan A. Sparks.

Aug. 23, 2017—U.S. Notice of Allowance—U.S. Appl. No. 29/564,527, filed May 13, 2016; Inv.: Bryan A. Sparks.

Oct. 12, 2017 (TW) Search Report—App 105306789.

Oct. 12, 2017 (TW) Search Report—App 105306784.

Oct. 12, 2017 (TW) Search Report—App 105306782.

Oct. 12, 2017 (TW) Search Report—App 105306781.

Apr. 11, 2018—U.S. Non-Final Office Action—U.S. Appl. No. 29/607,124.

Apr. 11, 2018—U.S. Non-Final Office Action—U.S. Appl. No. 29/607,129.

Apr. 18, 2018—U.S. Notice of Allowance—U.S. Appl. No. 29/607,132.

Apr. 12, 2018—U.S. Notice of Allowance—U.S. Appl. No. 29/607,139.

Apr. 11, 2018—U.S. Non-Final Office Action—U.S. Appl. No. 29/607,141.

Apr. 12, 2018—U.S. Notice of Allowance—U.S. Appl. No. 29/607,147.

Apr. 12, 2018—U.S. Notice of Allowance—U.S. Appl. No. 29/607,149.

Apr. 12, 2018—U.S. Notice of Allowance—U.S. Appl. No. 29/607,151.

“Office Action Issued in Indian Patent Application No. 300200”, dated Jan. 2, 2018, 2 Pages.

“Office Action Issued in Indian Patent Application No. 300201”, dated Jan. 10, 2018, 2 Pages.

“Office Action Issued in Indian Patent Application No. 300202”, dated Jan. 29, 2018, 2 Pages.

“Non Final Office Action Issued in U.S. Appl. No. 29/704,062”, dated Sep. 18, 2020, 11 Pages.

* cited by examiner

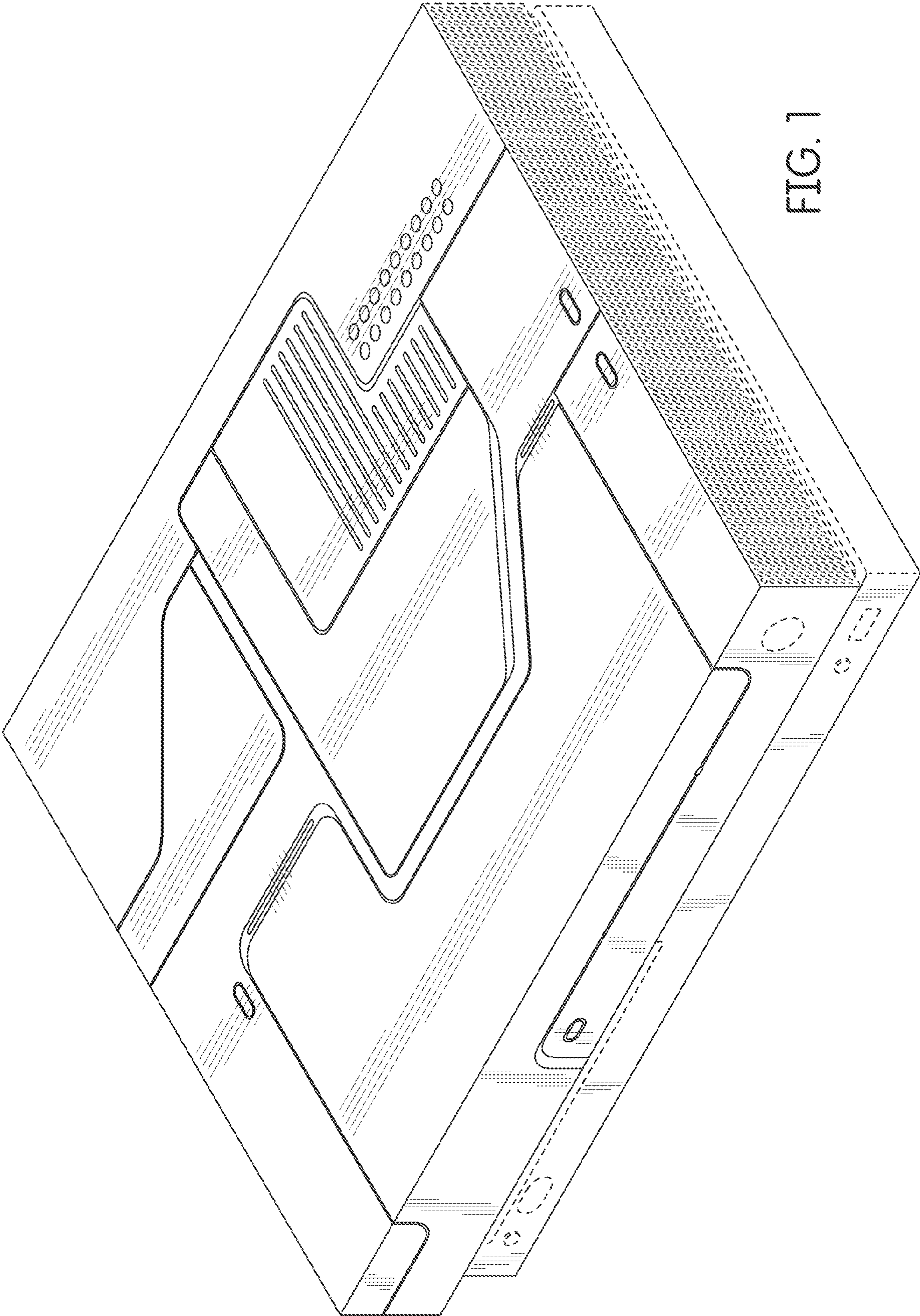


FIG. 1

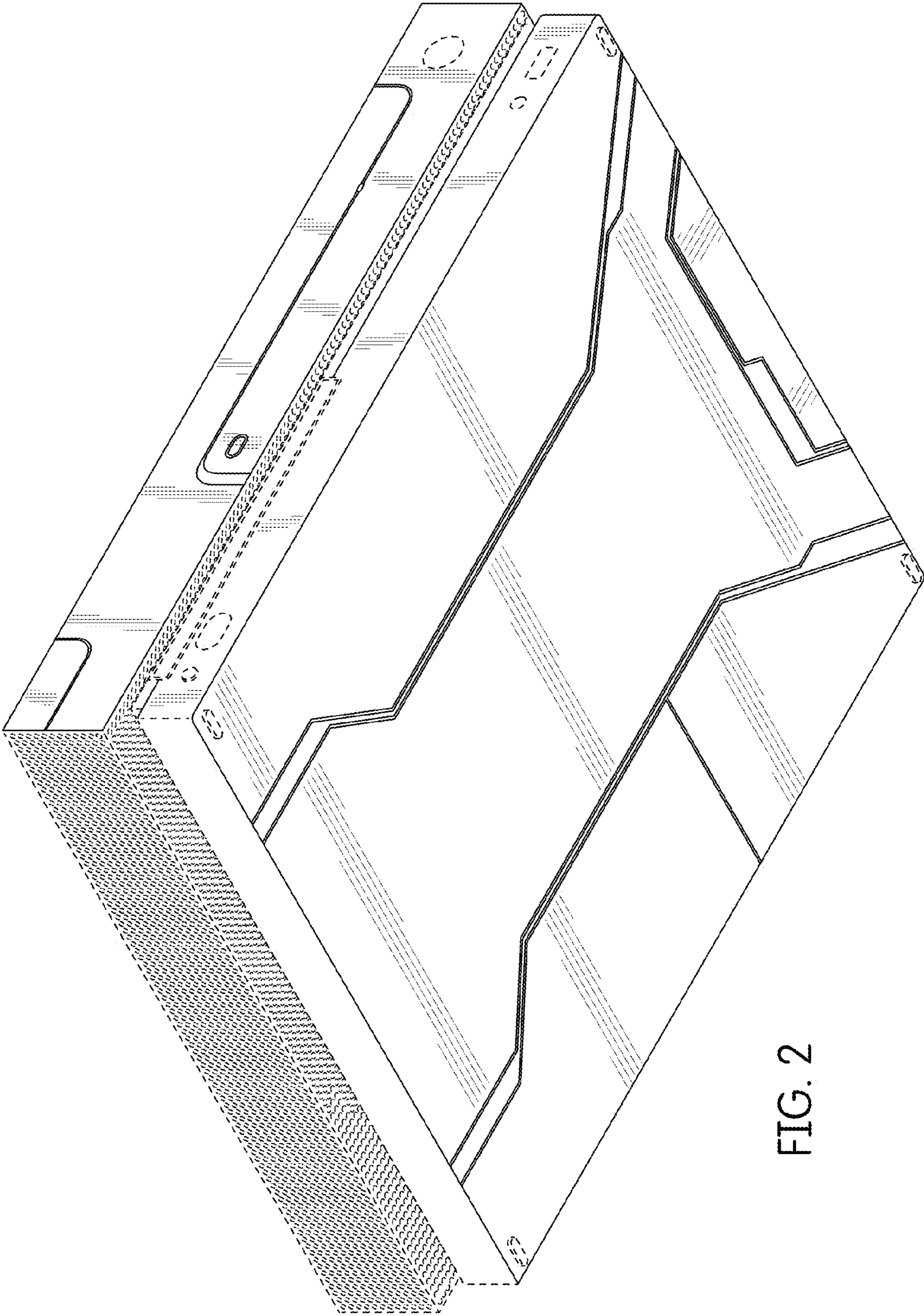


FIG. 2

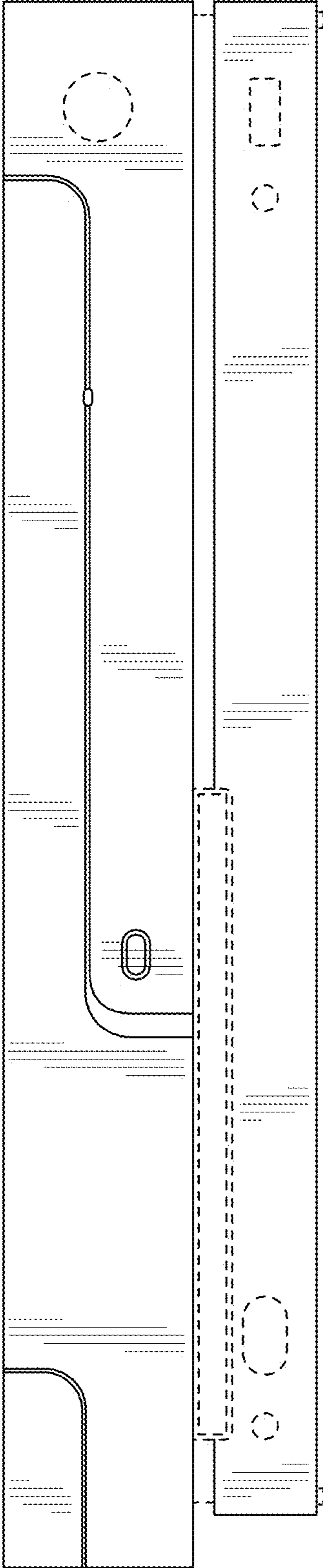


FIG. 3

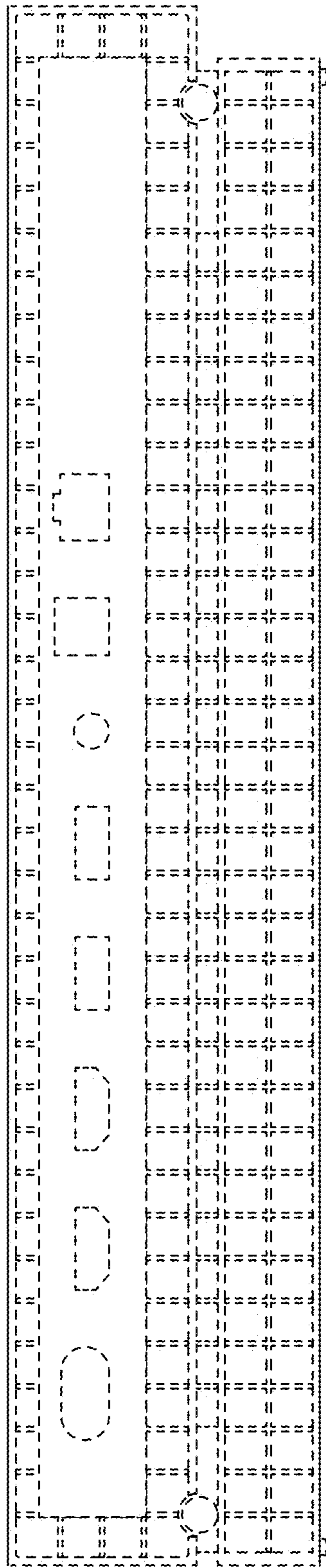


FIG. 4

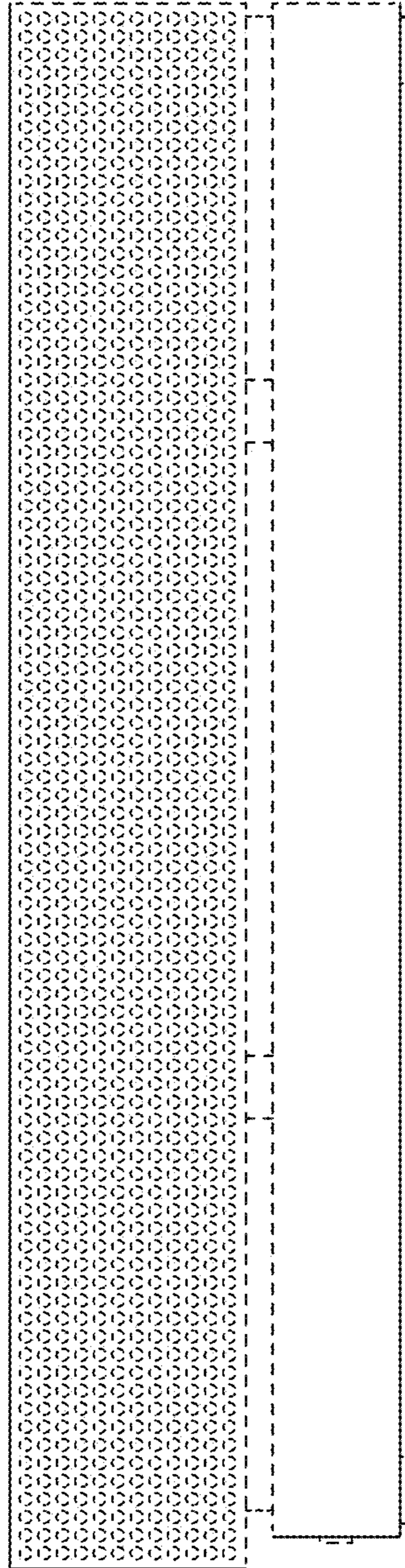


FIG. 5

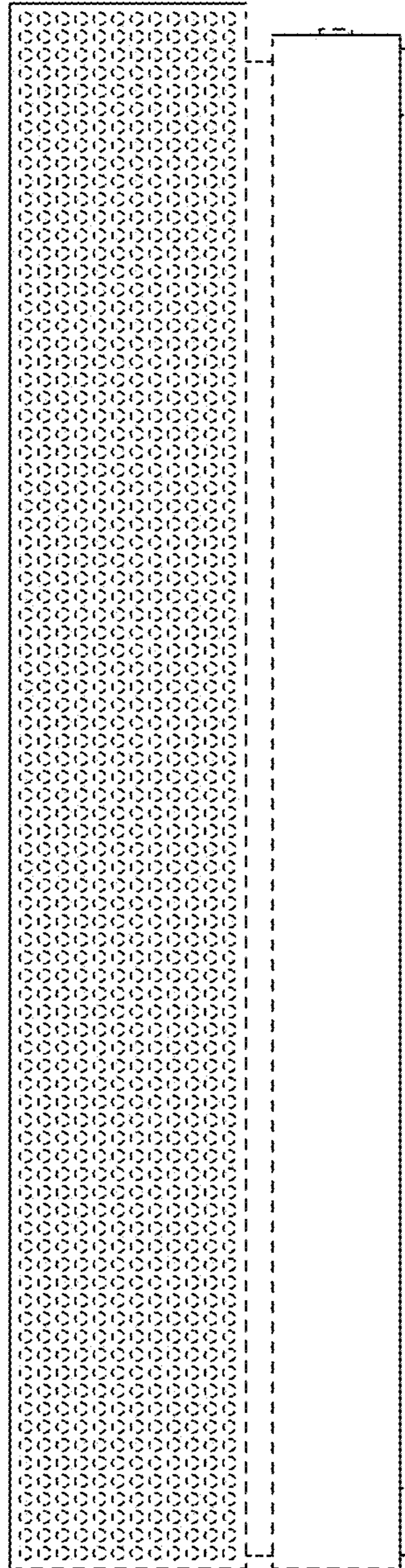


FIG. 6

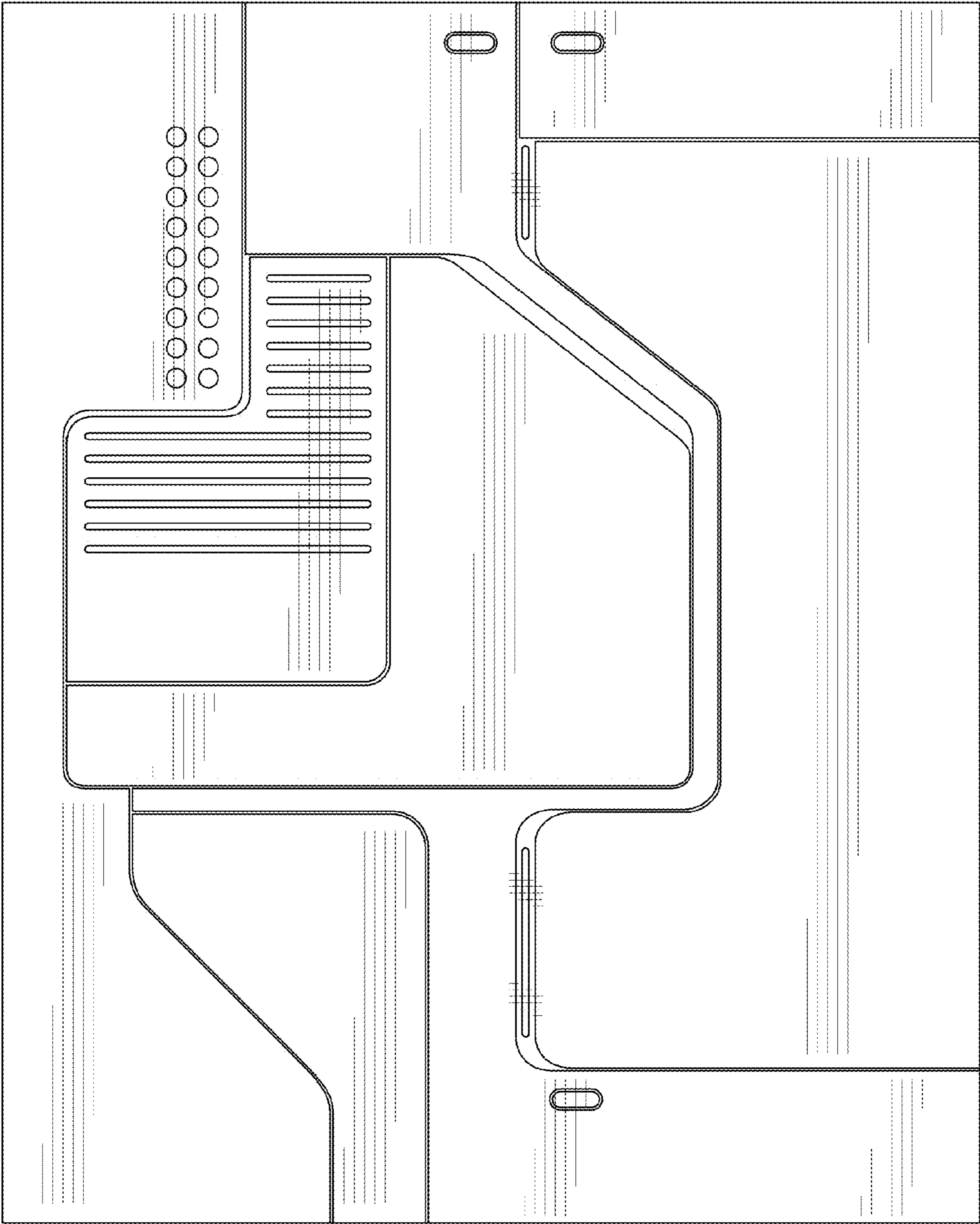


FIG. 7

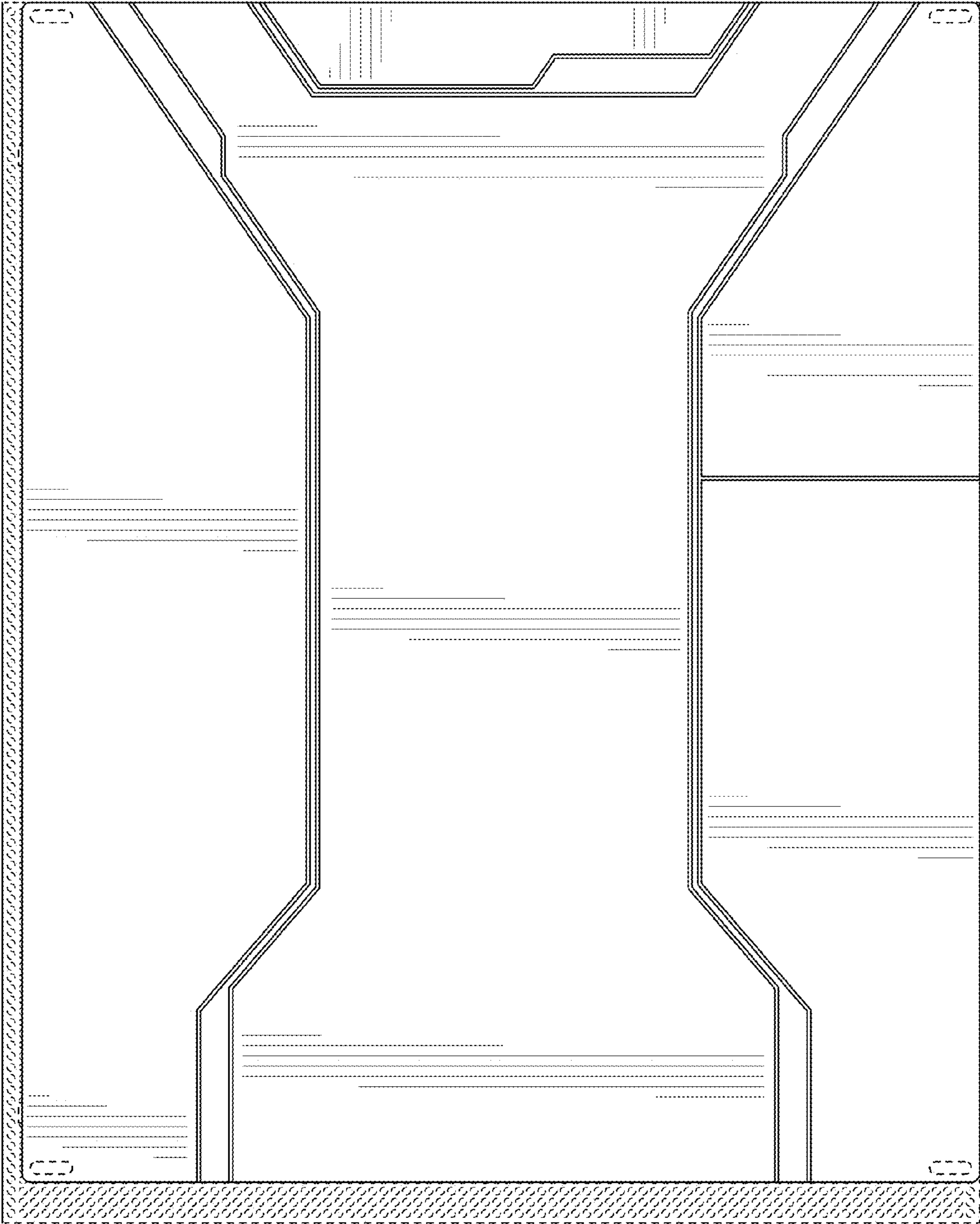


FIG. 8