



US00D924332S

(12) **United States Design Patent**
Jang

(10) **Patent No.:** **US D924,332 S**
(45) **Date of Patent:** **** Jul. 6, 2021**

(54) **BANNER HOLDER**
(71) Applicant: **HOWSIGN Co., Ltd.**, Hwaseong-si (KR)
(72) Inventor: **Jin Seop Jang**, Seongnam-si (KR)
(73) Assignee: **HOWSIGN CO., LTD.**, Hwaseong-si (KR)
(**) Term: **15 Years**

3,310,899 A * 3/1967 Hart G09F 17/00
40/604
3,495,346 A * 2/1970 Gilmoure G09F 17/00
40/617
3,550,297 A * 12/1970 Friedrichsen G09F 17/00
40/603
3,581,420 A * 6/1971 Mollet, III G09F 17/00
40/604
3,609,894 A * 10/1971 Miller, III G09F 17/00
40/655
3,675,356 A * 7/1972 Gilmoure G09F 17/00
40/604

(21) Appl. No.: **29/694,952**

(Continued)

(22) Filed: **Jun. 14, 2019**

OTHER PUBLICATIONS

(30) **Foreign Application Priority Data**

“Hiwall—HOWSIGN—”, The Sign Culture, published on May 25, 2019.

May 31, 2019 (KR) 30-2019-0026033

(51) **LOC (13) Cl.** **20-02**

Primary Examiner — Mary Ann Calabrese

(52) **U.S. Cl.**
USPC **D20/42; D20/43**

Assistant Examiner — Catherine Ho

(74) *Attorney, Agent, or Firm* — Rabin & Berdo, P.C.

(58) **Field of Classification Search**
USPC D6/325, 328; D8/321, 349, 354, 355,
D8/366, 371, 373, 380, 381, 400;
D20/10, 42–44, 99; D25/119
CPC .. G09F 17/00; G09F 2007/1834; G09F 15/02;
G09F 15/0075; G09F 15/0018; G09F
7/18; G09F 2007/186; G09F 7/16; G09F
2007/122; G09F 13/00; G09F 13/04;
G09F 13/06; G09F 13/18; G09F 13/22;
G09F 13/24; G09F 13/26; G09F
2013/1895; G09F 15/00; B29C 65/52;
B29C 65/56; B23P 19/00; B32B 37/02;
B32B 38/00

(57) **CLAIM**

The ornamental design for a banner holder, as shown and described.

See application file for complete search history.

DESCRIPTION

FIG. 1 is a perspective view of a banner holder showing my new design;
FIG. 2 is a front view thereof;
FIG. 3 is a rear view thereof;
FIG. 4 is a left side view thereof;
FIG. 5 is a right side view thereof;
FIG. 6 is a top view thereof;
FIG. 7 is a bottom view thereof; and,
FIG. 8 is a left side view of the banner holder shown in an extended position.

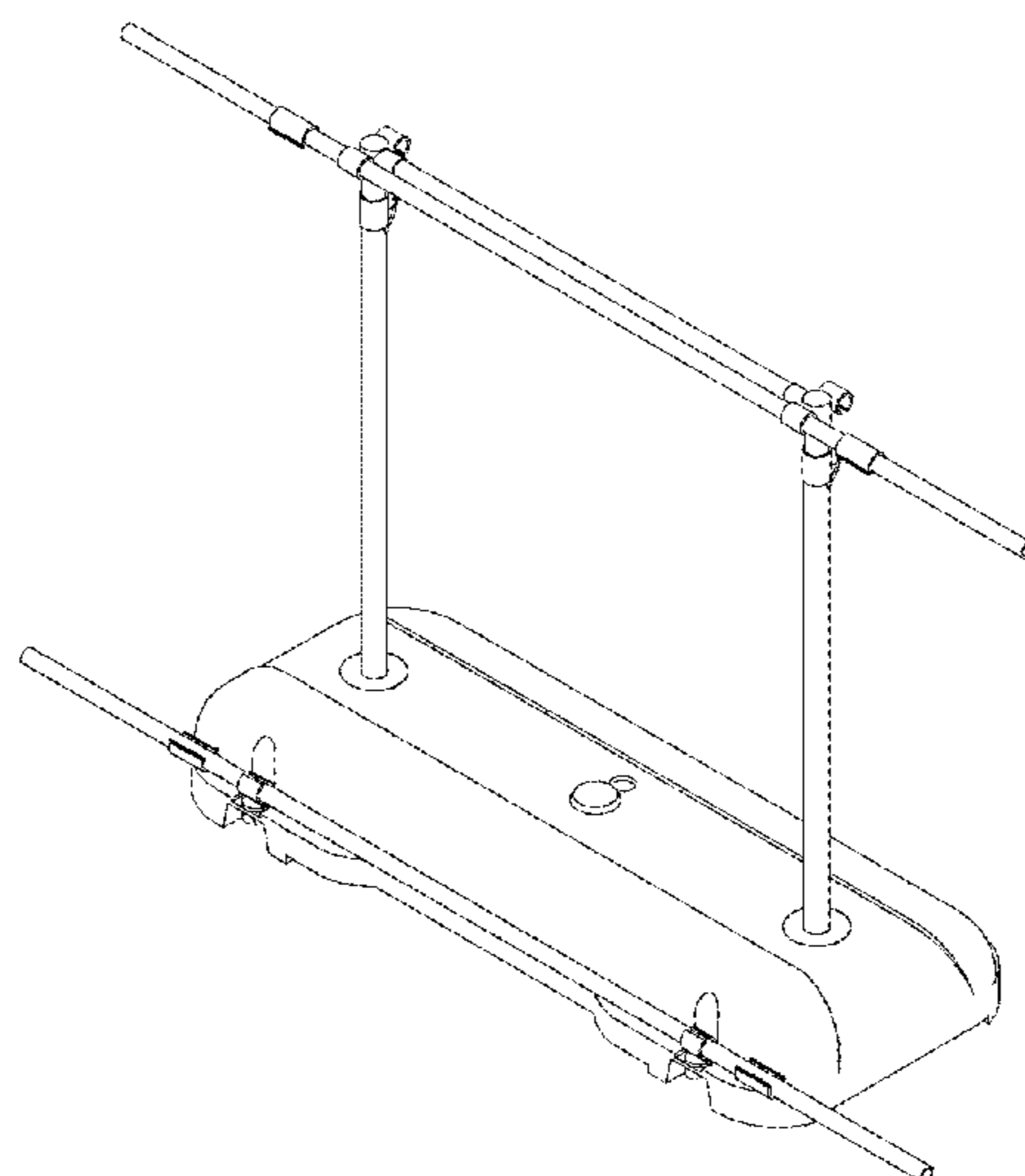
(56) **References Cited**

U.S. PATENT DOCUMENTS

3,034,242 A * 5/1962 Gold G09F 17/00
40/604
3,263,356 A * 8/1966 Gilmoure G09F 17/00
40/604

The broken line portion of the figure drawings is included to show portions of the article that form no part of the claimed design.

1 Claim, 5 Drawing Sheets



(56)

References Cited

U.S. PATENT DOCUMENTS

| | | | | | |
|--------------|------|---------|------------|-------|---------------------------|
| 4,095,360 | A * | 6/1978 | Dinan | | G09F 7/22 40/603 |
| 4,730,803 | A * | 3/1988 | Hillstrom | | G09F 17/00 248/219.4 |
| 5,335,889 | A * | 8/1994 | Hopkins | | G09F 7/18 248/219.4 |
| 5,428,913 | A * | 7/1995 | Hillstrom | | G09F 7/18 40/604 |
| 6,493,973 | B1 * | 12/2002 | Nelson | | G09F 7/18 40/607.12 |
| 6,618,973 | B2 * | 9/2003 | Nelson | | G09F 17/00 40/604 |
| 7,237,754 | B2 * | 7/2007 | Sparkowski | | G09F 15/0037 248/219.1 |
| 7,607,512 | B2 * | 10/2009 | Harwood | | H04R 5/02 181/148 |
| 8,020,260 | B2 * | 9/2011 | Franklin | | G09F 15/0025 24/346 |
| 8,037,630 | B2 * | 10/2011 | Crookham | | G09F 15/0037 40/607.01 |
| 8,104,207 | B2 * | 1/2012 | Pitcher | | G09F 7/20 40/617 |
| 8,672,280 | B2 * | 3/2014 | Suciu | | G09F 7/18 248/323 |
| 10,403,183 | B2 * | 9/2019 | Pyc | | F16M 13/02 |
| 10,410,553 | B2 * | 9/2019 | Holyfield | | G09F 17/00 |
| 10,839,721 | B2 * | 11/2020 | Smith | | G09F 7/18 |
| 2006/0022099 | A1 * | 2/2006 | Sparkowski | | G09F 17/00 248/218.4 |

* cited by examiner

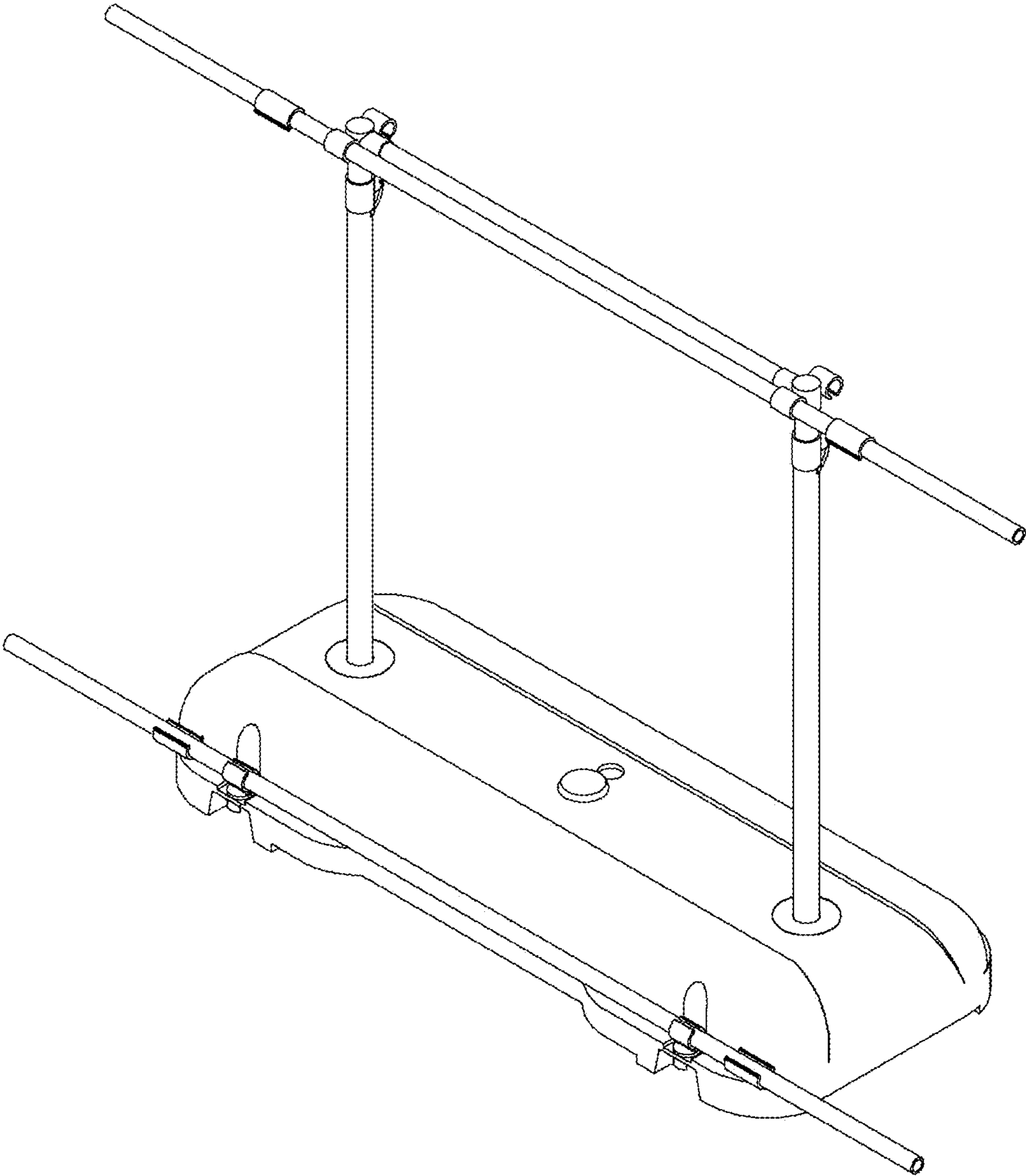


FIG. 1

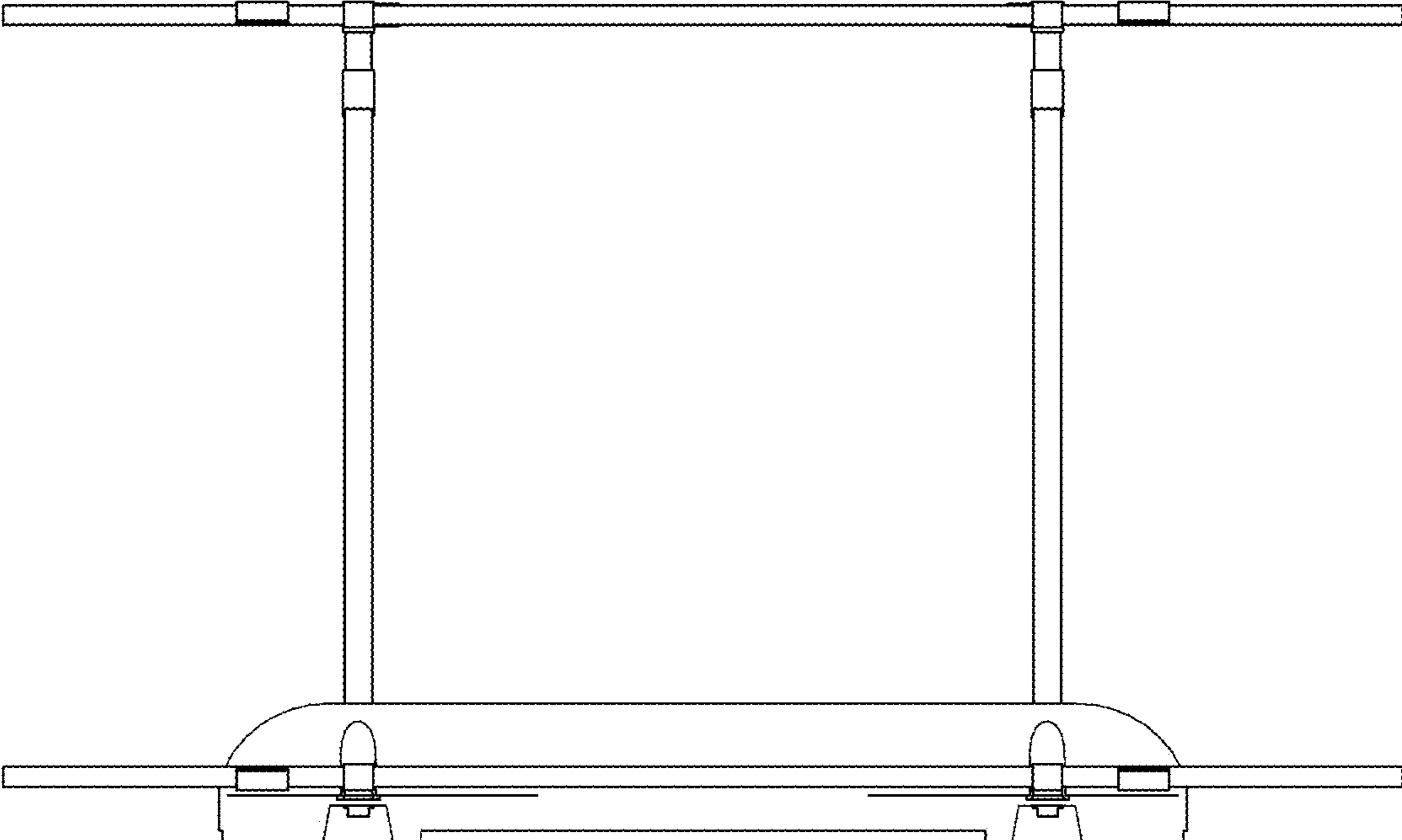


FIG. 2

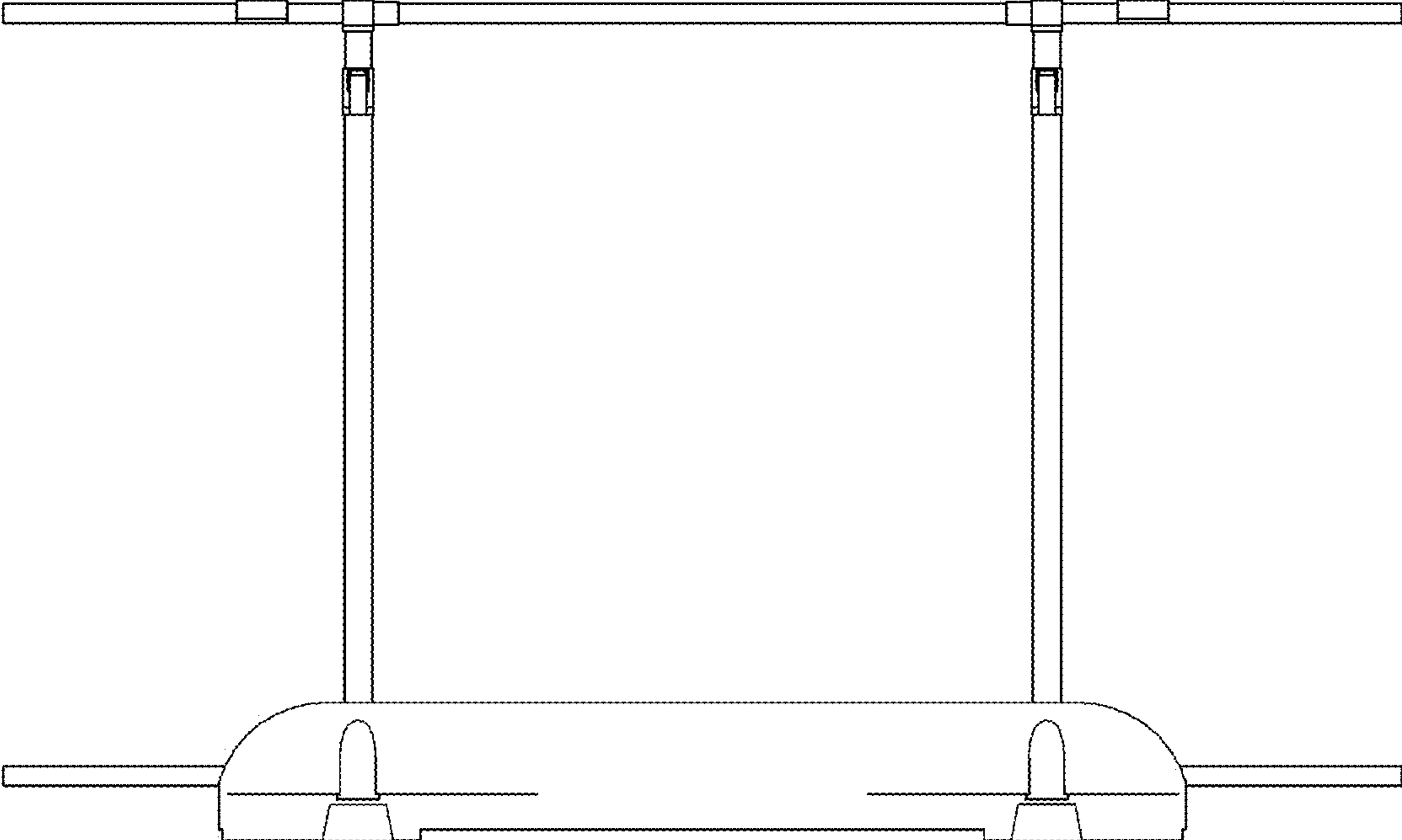


FIG. 3

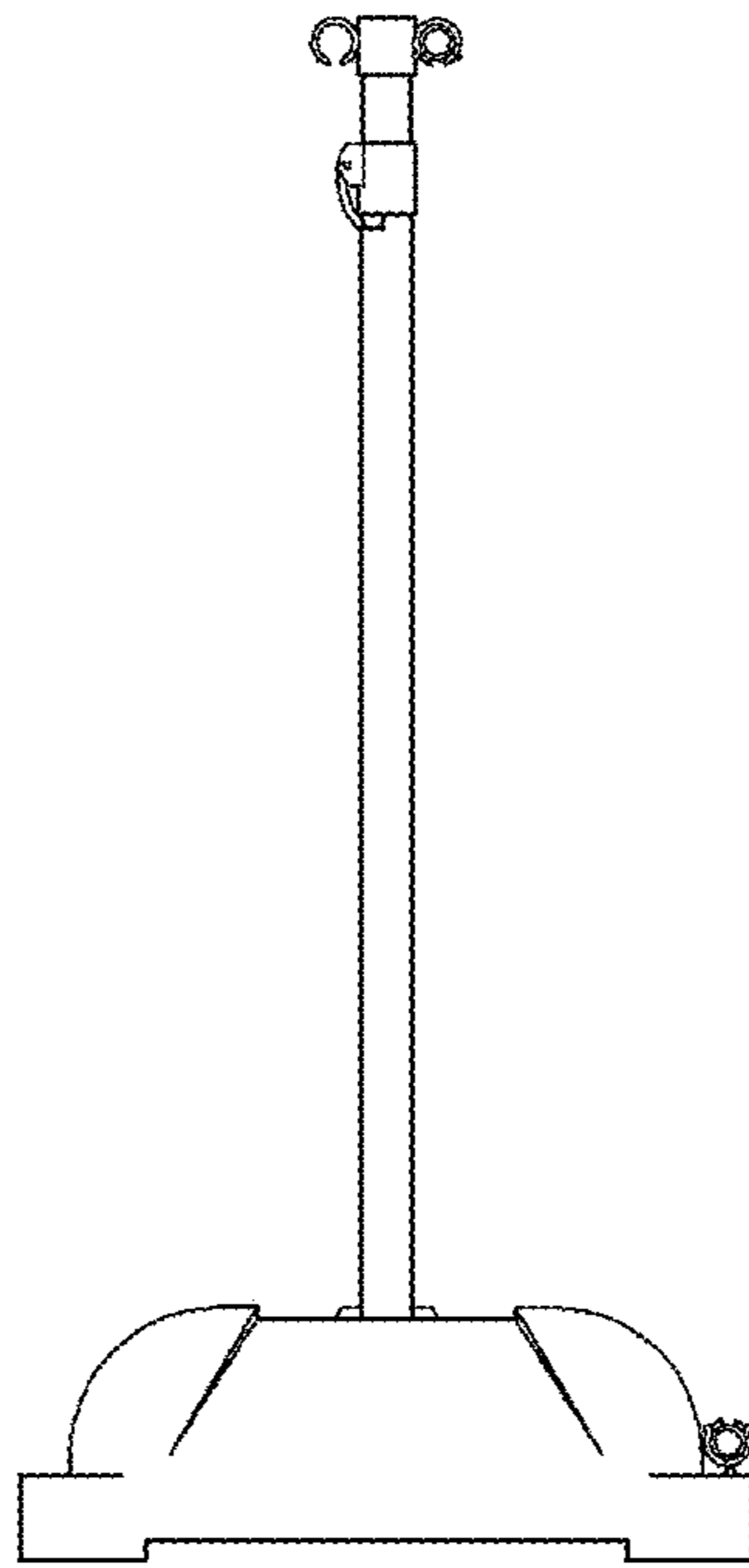


FIG. 4

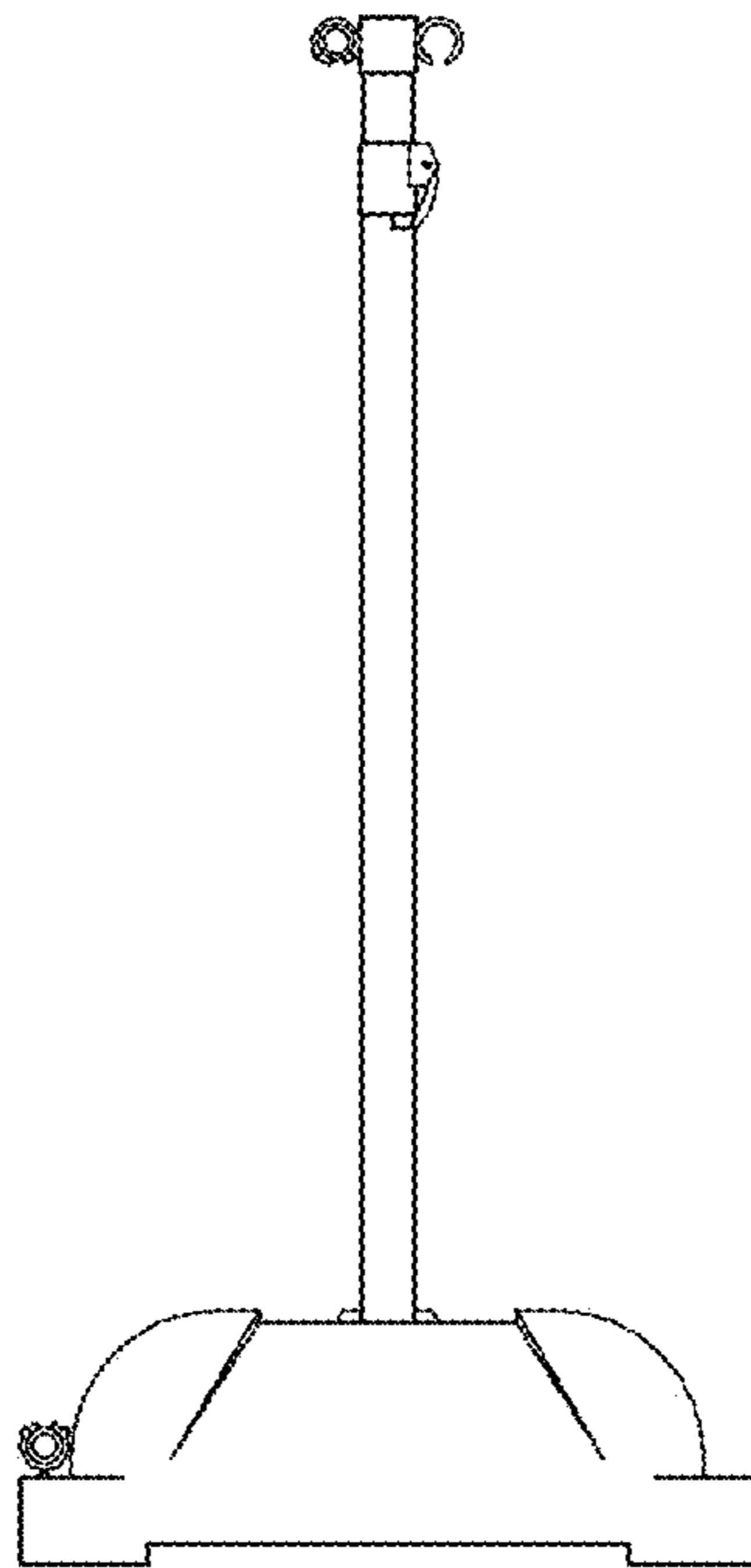


FIG. 5

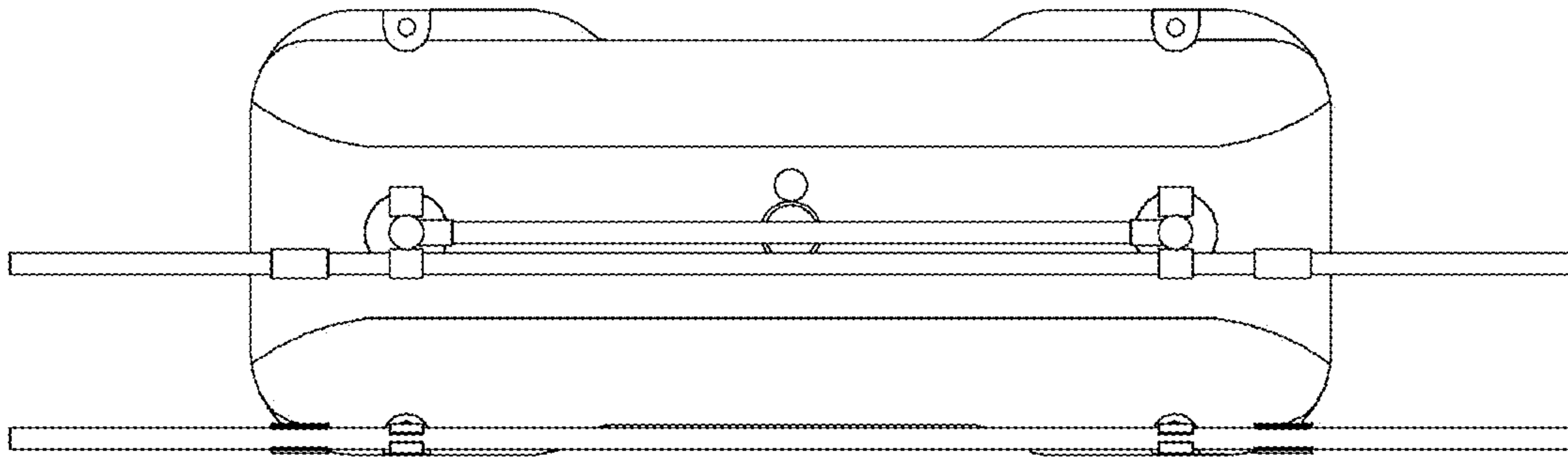


FIG. 6

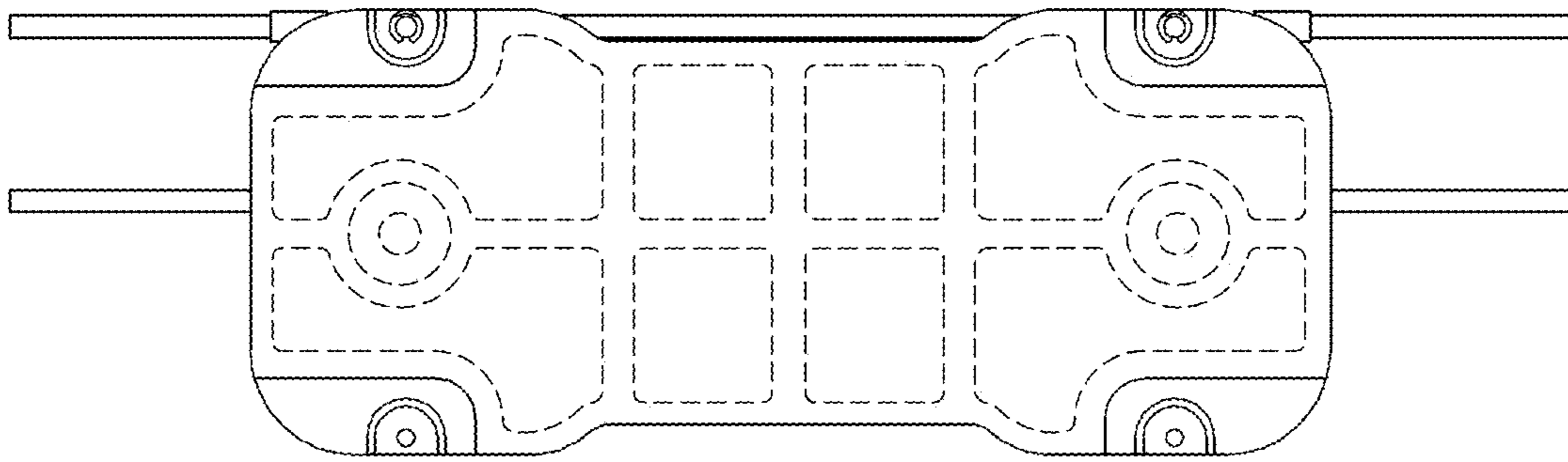


FIG. 7

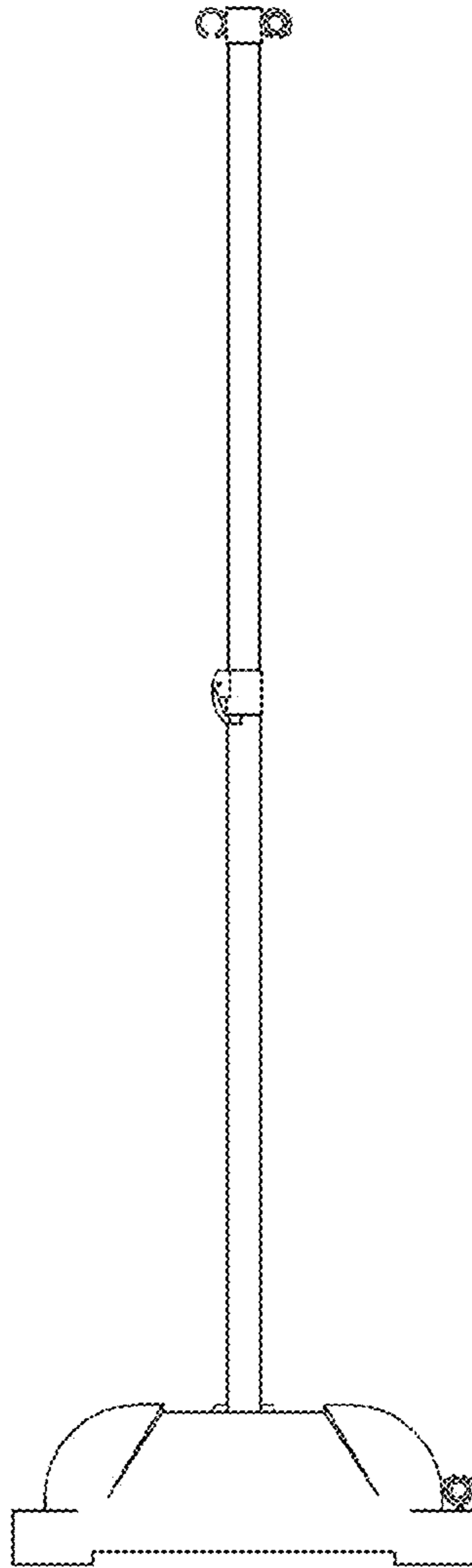


FIG. 8