



US00D924331S

(12) **United States Design Patent** (10) **Patent No.:** **US D924,331 S**
Etienne (45) **Date of Patent:** **** Jul. 6, 2021**

(54) **MEDICATION IDENTIFICATION LABEL**
(71) Applicant: **Lydia Etienne**, Boca Raton, FL (US)
(72) Inventor: **Lydia Etienne**, Boca Raton, FL (US)
(**) Term: **15 Years**
(21) Appl. No.: **29/724,603**
(22) Filed: **Feb. 18, 2020**
(51) **LOC (13) Cl.** **19-08**
(52) **U.S. Cl.**
USPC **D20/23; D20/27**
(58) **Field of Classification Search**
USPC D9/550, 563, 702, 713; D10/46, 52,
D10/104.1, 104.2, 109.1, 109.2;
D19/1-12; D20/10, 11, 18, 19, 22-29,
D20/42, 49
CPC G09F 1/00; G09F 1/02; G09F 3/00; G09F
3/02; G09F 3/10; G09F 3/14; G09F
3/0288; G09F 2003/0021; G09F
2003/0208; G09F 2003/023; G09F
2003/0225; G09F 2003/0257; G09F
2003/0264; G09F 2003/0266; G09F
2003/0267; G09F 2003/0269; G09F
2003/0272; G09F 2003/0273; G09F
2003/0279; B42D 15/00
See application file for complete search history.

D621,879 S * 8/2010 Langan D20/27
D634,368 S * 3/2011 Langan D20/27
D643,071 S * 8/2011 Fiero D20/27
D643,471 S * 8/2011 Langan D20/27
D661,742 S * 6/2012 Clark D20/27
D666,245 S * 8/2012 Birdwell D20/27
D674,842 S * 1/2013 Birdwell D20/27
D679,333 S * 4/2013 Jabara D20/27
D700,658 S * 3/2014 Olschnoegger D20/27
D781,378 S * 3/2017 Miceli D20/22
D834,093 S * 11/2018 Fahsbender D20/27
D860,322 S * 9/2019 Edwards D20/19
D861,796 S * 10/2019 Hahn D20/27
D877,255 S * 3/2020 Iglesias D20/27
2009/0090688 A1* 4/2009 Fruchter B65D 51/245
215/230

* cited by examiner

Primary Examiner — Mary Ann Calabrese
Assistant Examiner — Catherine Ho
(74) *Attorney, Agent, or Firm* — Sanchelima &
Associates, P.A.; Christian Sanchelima; Alexander
Rodriguez

(57) **CLAIM**

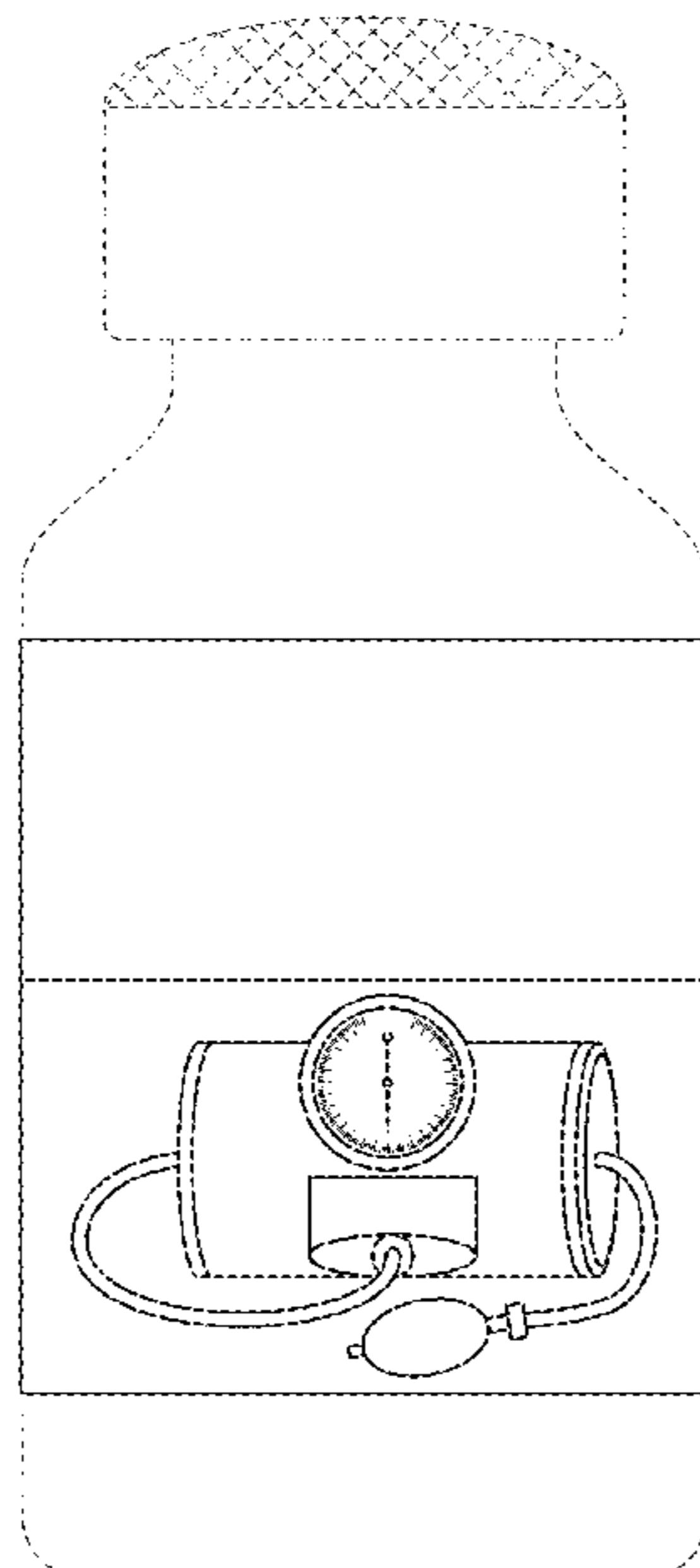
The ornamental design for a medication identification label,
as shown and described.

DESCRIPTION

FIG. 1 is an isometric view of a medication identification
label showing my new design;
FIG. 2 is a front elevational view thereof;
FIG. 3 is a rear elevational view thereof;
FIG. 4 is a left side elevational view thereof;
FIG. 5 is a right elevational view thereof;
FIG. 6 is a top plan view thereof; and,
FIG. 7 is a bottom plan view thereof.
The broken line portion of the figure drawings is included to
show environment that form no part of the claimed design.

1 Claim, 7 Drawing Sheets

(56) **References Cited**
U.S. PATENT DOCUMENTS
4,621,729 A * 11/1986 Jackson A61G 12/00
150/147
D311,423 S * 10/1990 DeSantis D20/22
5,141,254 A * 8/1992 Ring B42D 15/0053
283/101
D588,200 S * 3/2009 Langan D20/27
D589,566 S * 3/2009 Lee D20/19



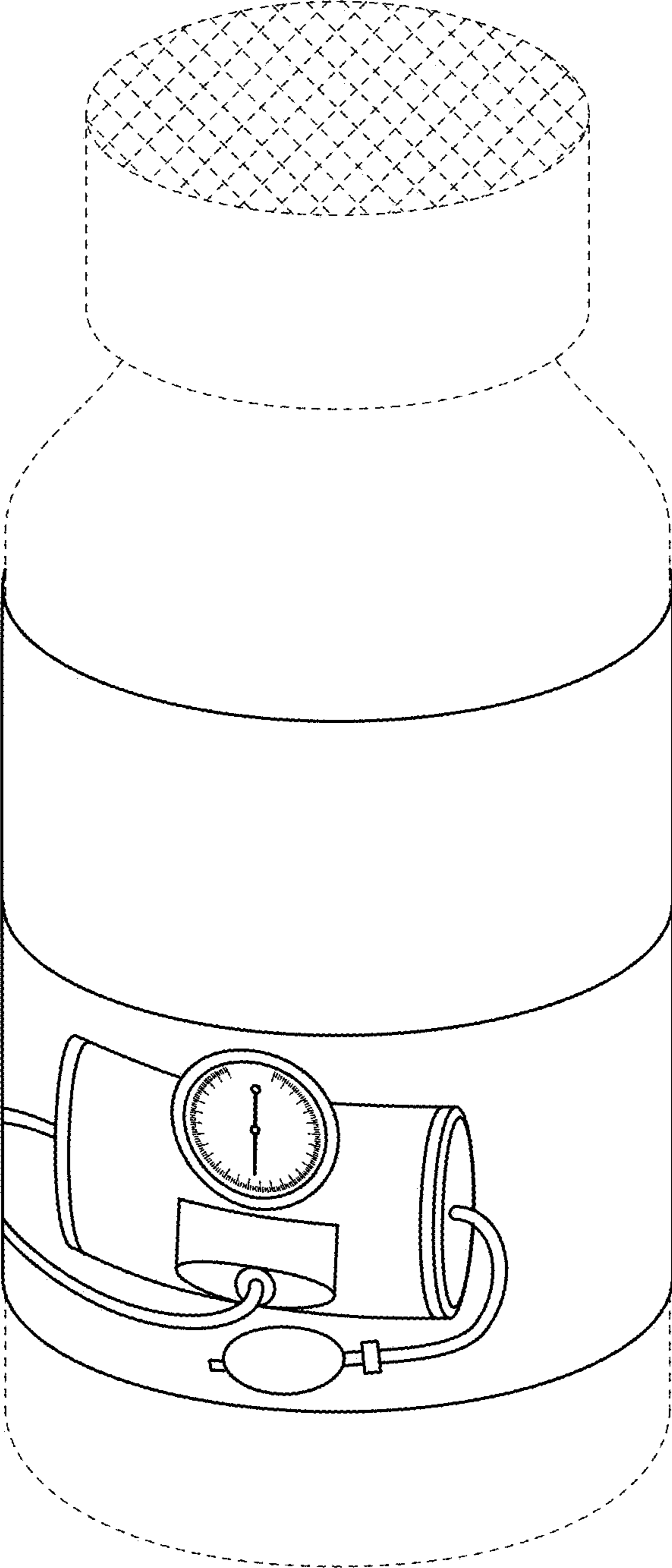


FIG. 1

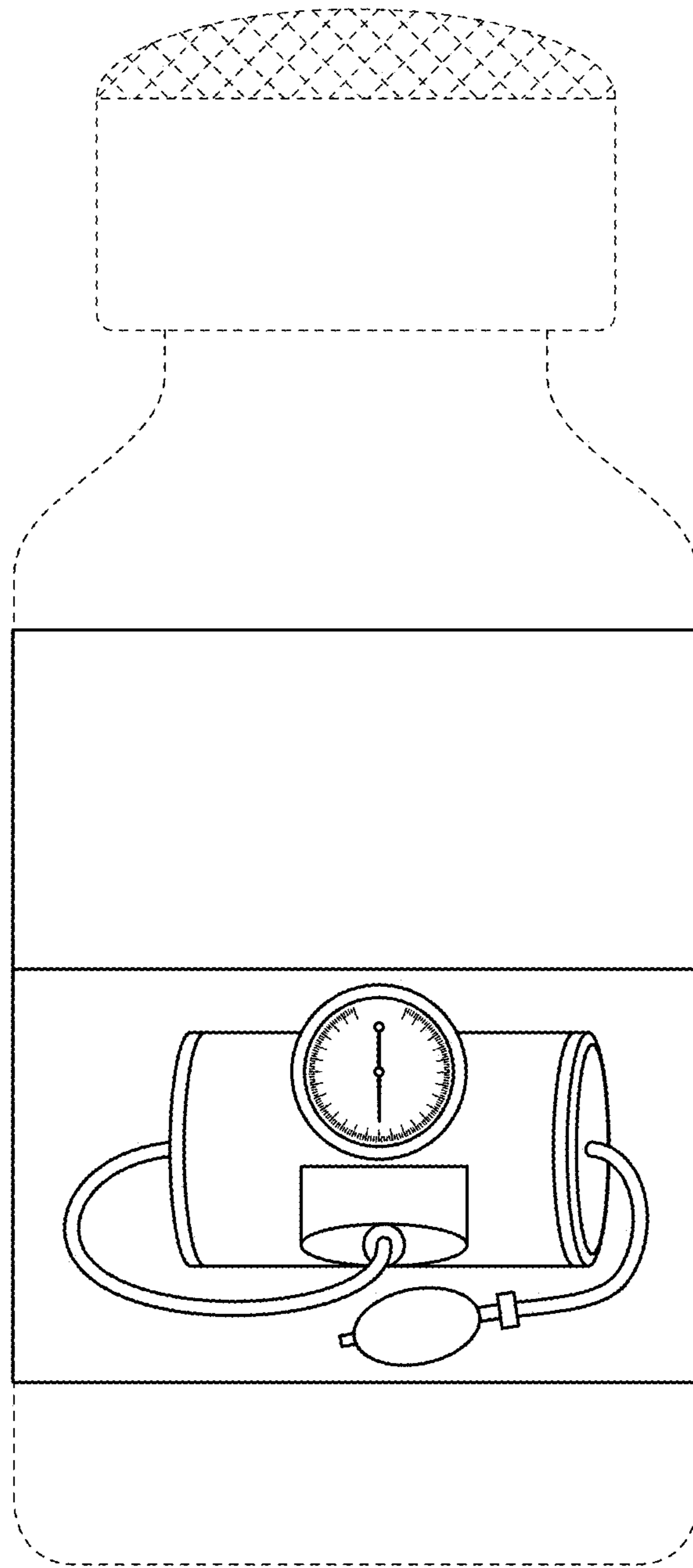


FIG. 2

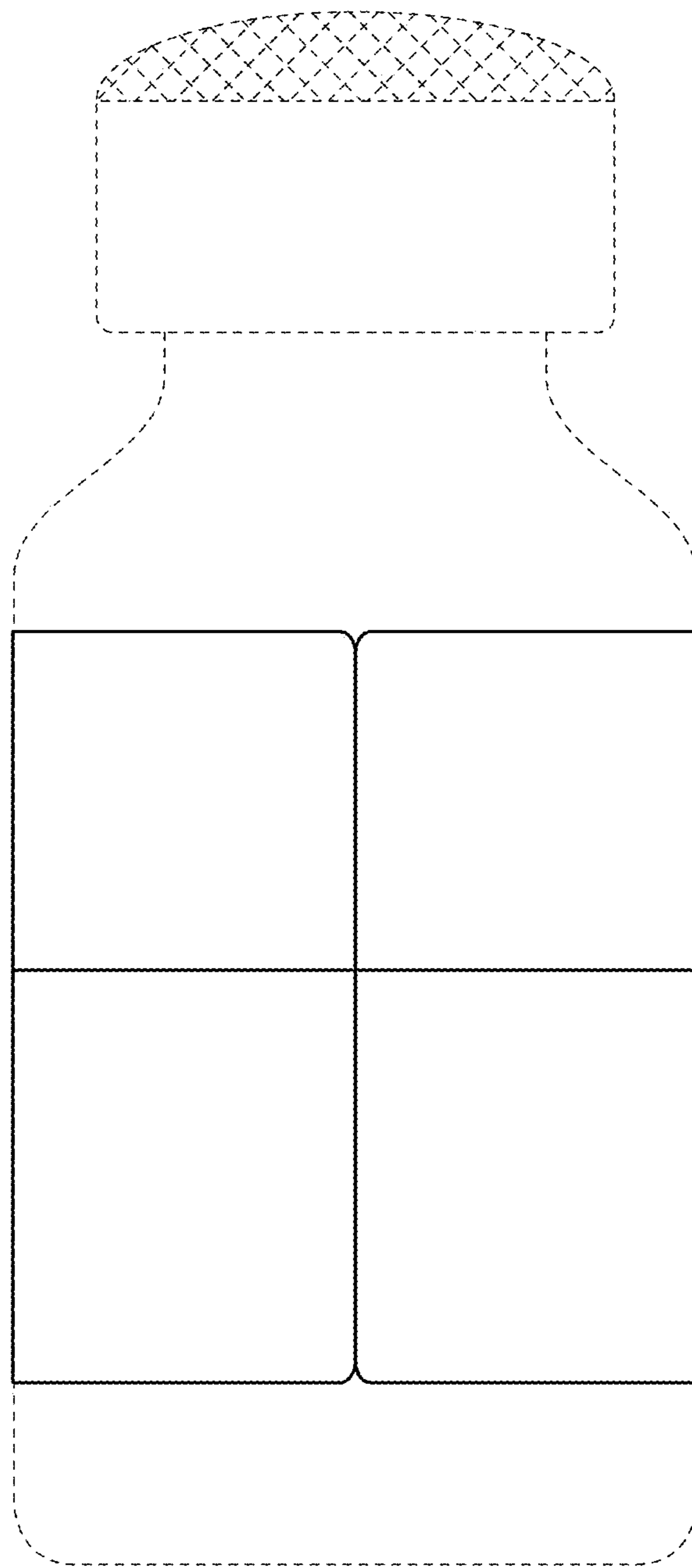


FIG. 3

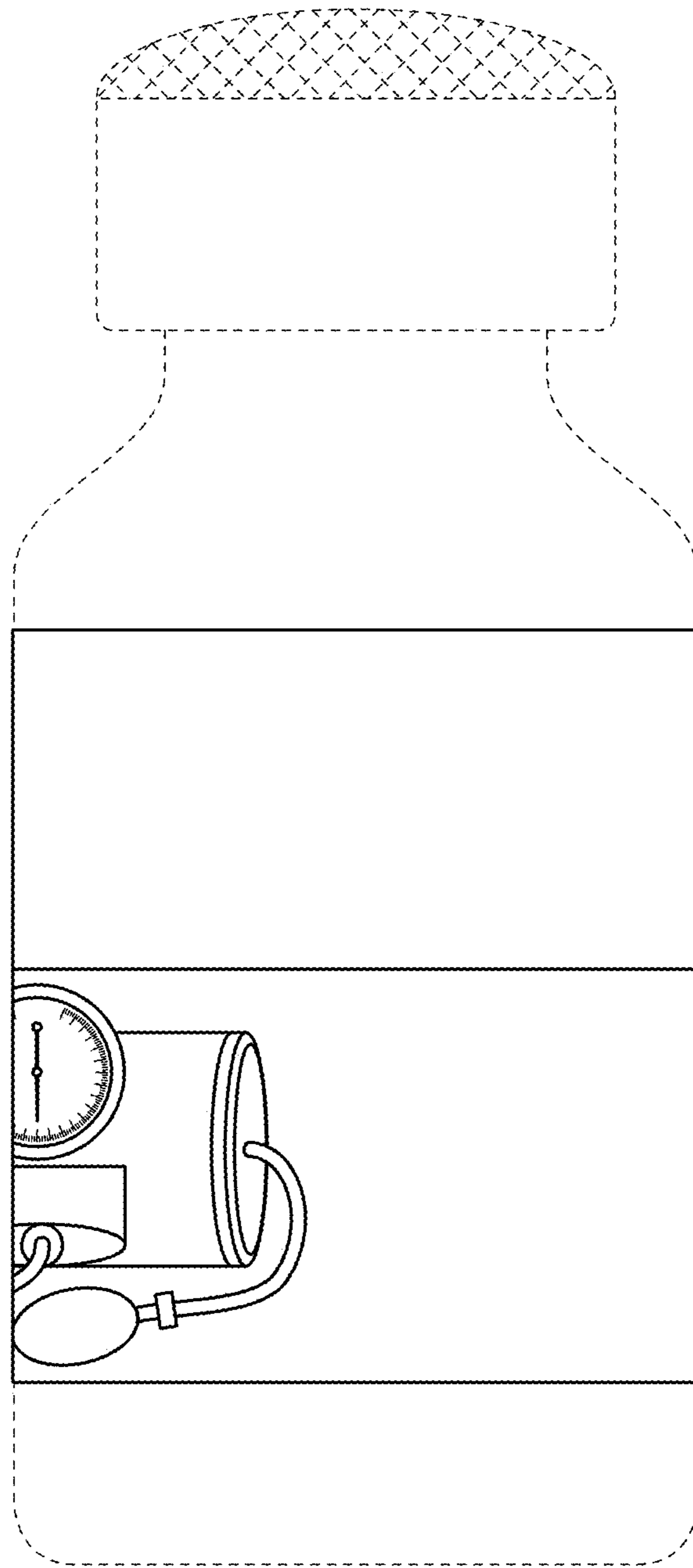


FIG. 4

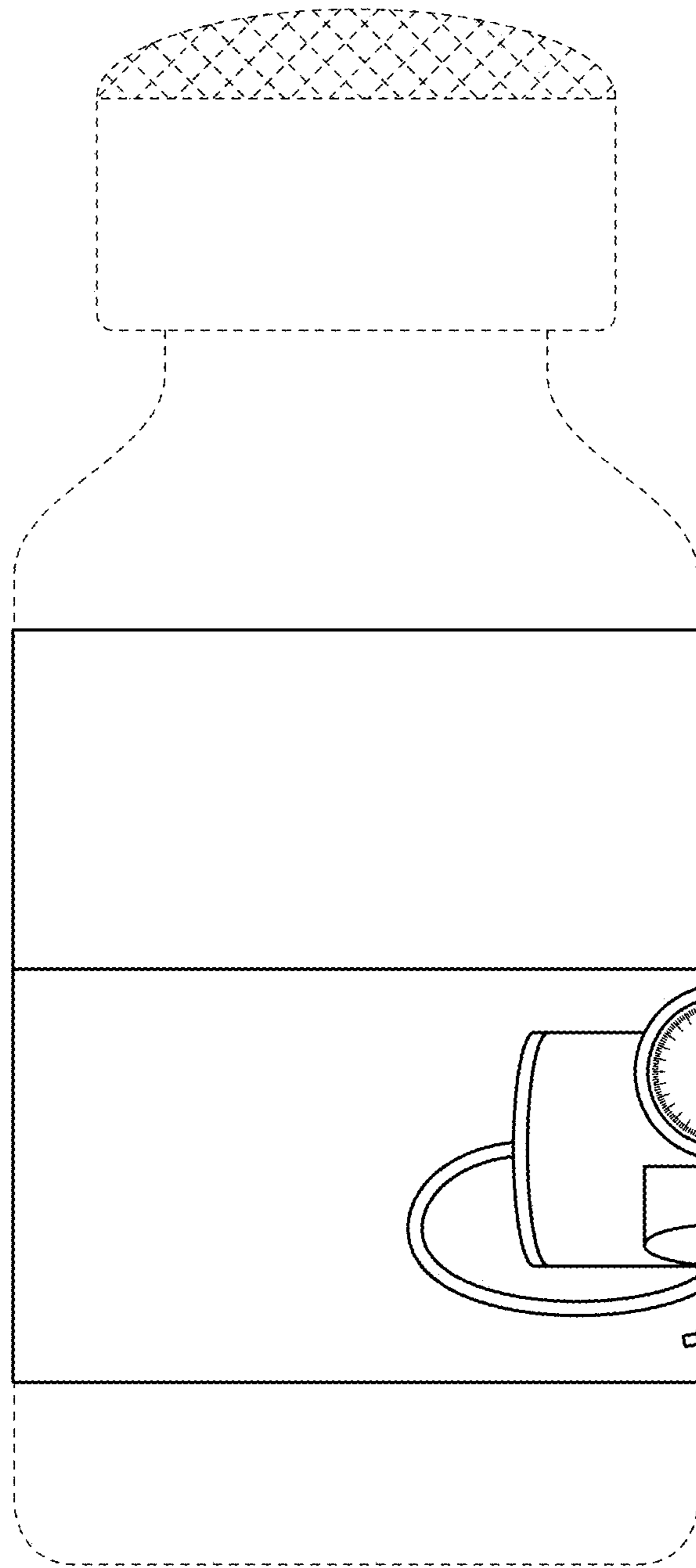


FIG. 5

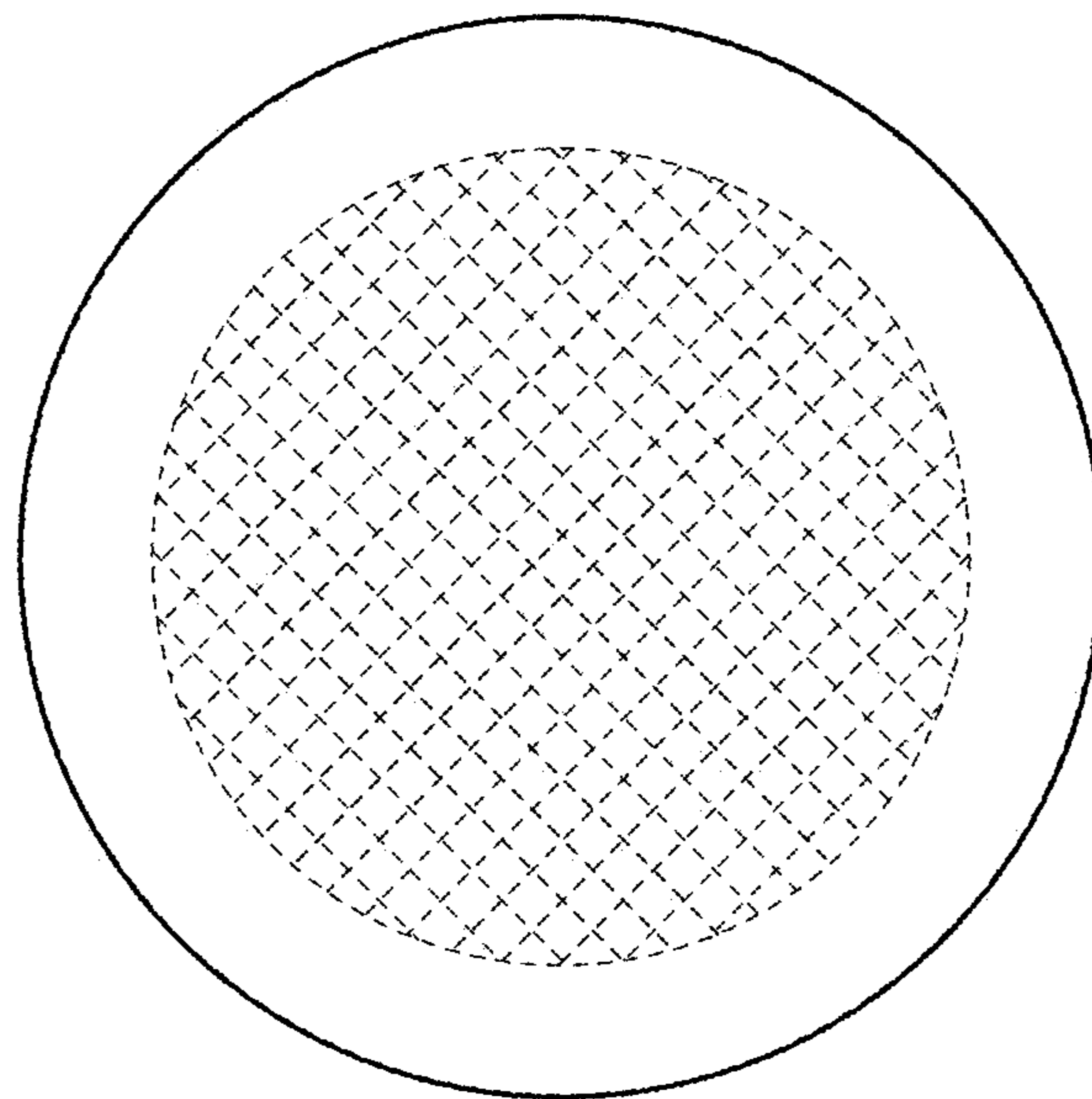


FIG. 6

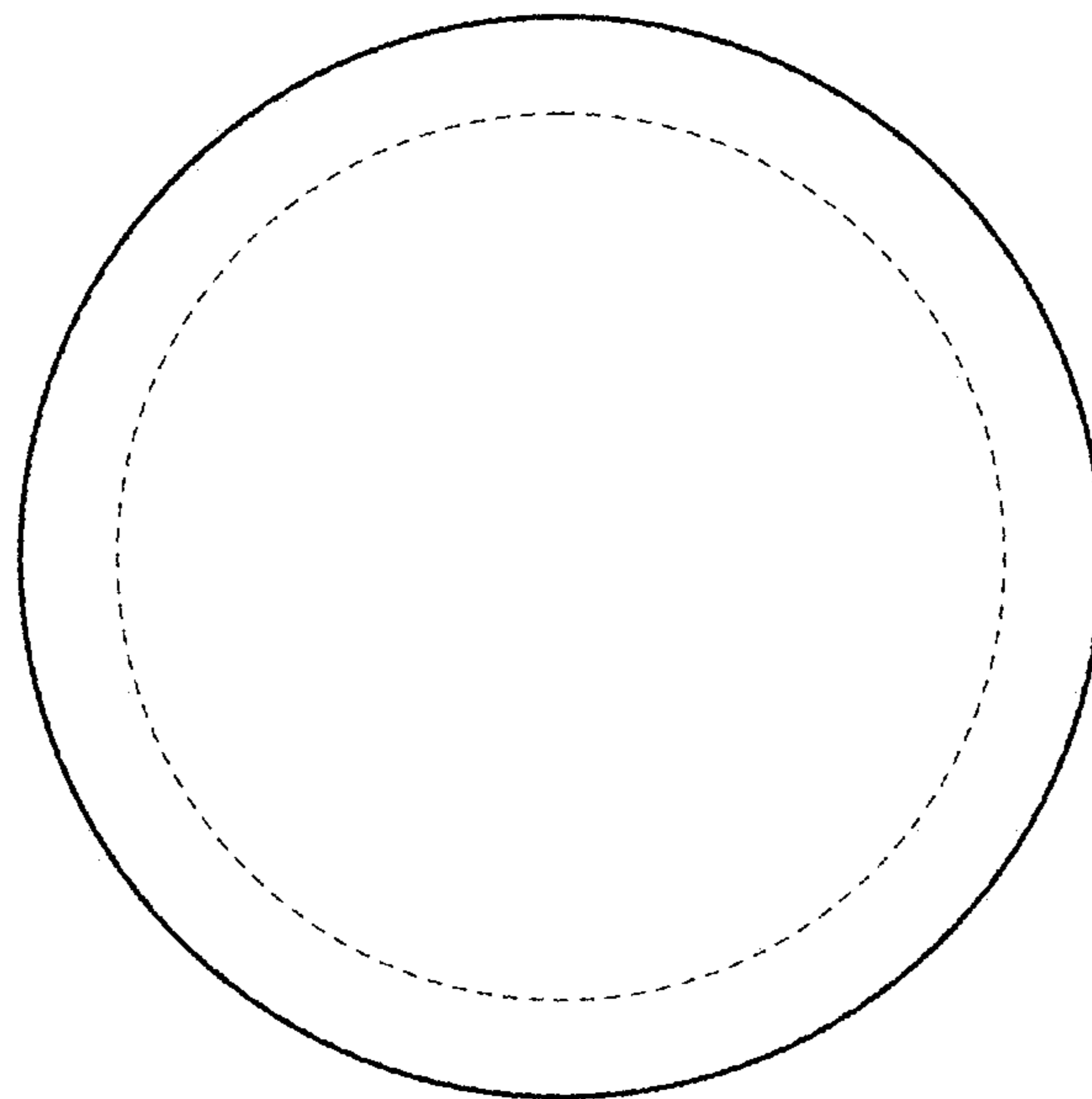


FIG. 7