



US00D924330S

(12) **United States Design Patent** (10) **Patent No.:** **US D924,330 S**
Adams et al. (45) **Date of Patent:** **** Jul. 6, 2021**

(54) **ITEM CARRIER**

(71) Applicant: **APPLESTONE MEAT COMPANY LLC**, Stone Ridge, NY (US)

(72) Inventors: **Douglas R. Adams**, Pepperell, MA (US); **Nicholas E. Holsman**, Waltham, MA (US)

(73) Assignee: **APPLESTONE MEAT COMPANY LLC**, Stone Ridge, NY (US)

(**) Term: **15 Years**

(21) Appl. No.: **29/714,932**

(22) Filed: **Nov. 26, 2019**

(51) **LOC (13) Cl.** **20-01**

(52) **U.S. Cl.**
USPC **D20/8; D3/298**

(58) **Field of Classification Search**

USPC D3/203.1–203.3, 203.6, 205–206, 226, D3/228, 273–274, 276, 281–291, D3/293–303, 313, 901, 905, 254, 260, D3/262, 215–217; D28/73, 76; D9/415, D9/420, 424–426, 430–432, 435, 456, D9/702, 711; D20/5, 8

CPC B01L 3/0585; B01L 9/06; B65D 1/00; B65D 1/34; B65D 1/36; B65D 85/00; B65D 43/12; B65D 5/38; A45D 44/18; A61B 50/33; A61B 50/34; A45C 3/00; A45C 3/004; A45C 5/00; A45C 5/04; A45C 5/14; A45C 5/005; A45C 7/0095; A45C 9/00; A45C 11/00; A45C 11/008; A45C 11/16; A45C 11/26; A45C 13/02; A45C 15/04; A45C 2003/008; A45C 2011/007; A45F 3/04; A45F 3/047; A45F 3/10; A45F 3/14;

(Continued)

(56) **References Cited**

U.S. PATENT DOCUMENTS

4,354,619 A	10/1982	Wipperman et al.
4,767,023 A	8/1988	Hackmann et al.

(Continued)

FOREIGN PATENT DOCUMENTS

AR	73131	10/2010
CA	2833143	10/2012

(Continued)

Primary Examiner — Jeffrey D Asch

Assistant Examiner — Caitlin Ann Laverty

(74) *Attorney, Agent, or Firm* — Byrne Poh LLP

(57) **CLAIM**

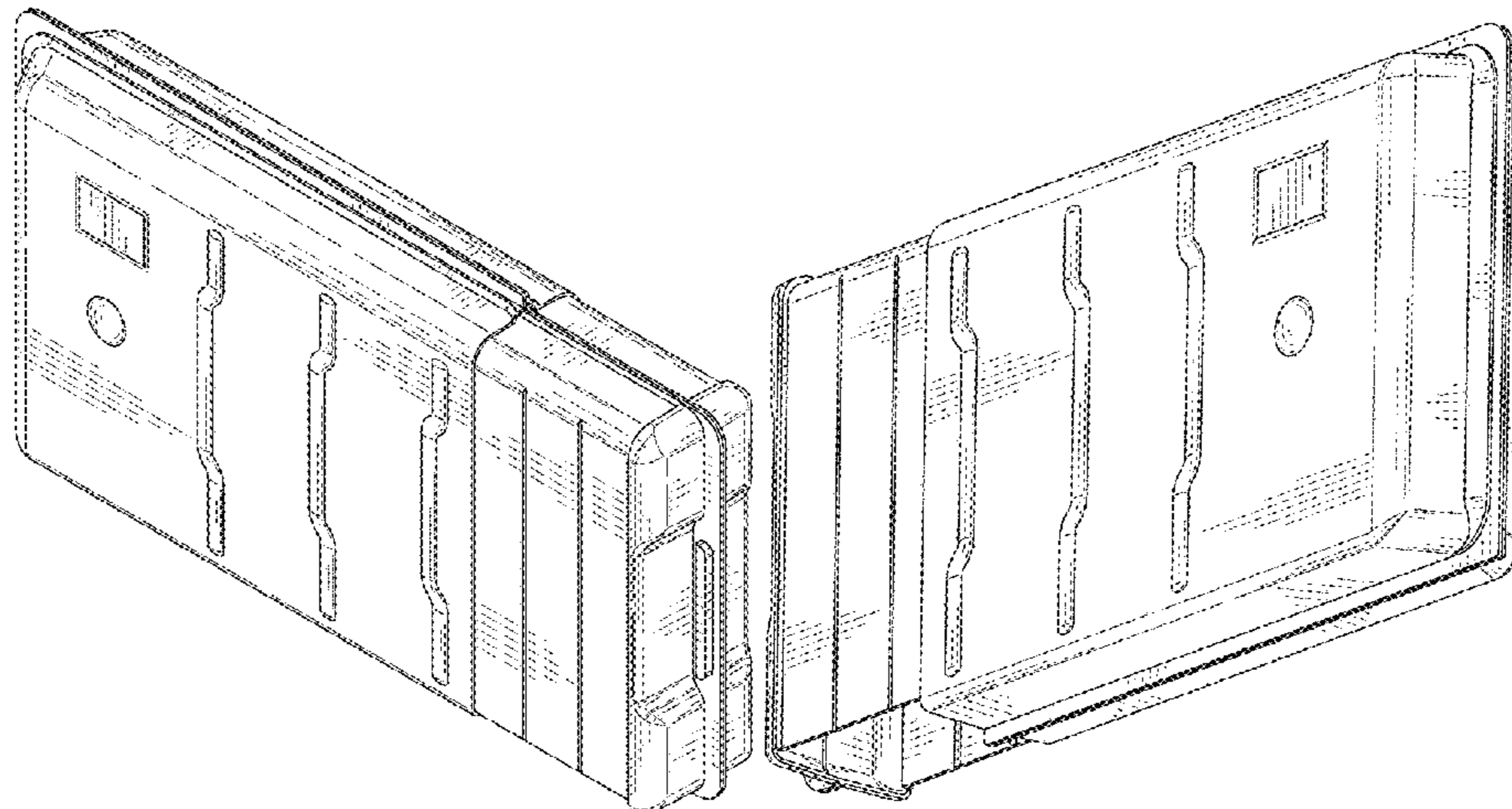
The ornamental design for an item carrier, as shown and described.

DESCRIPTION

FIG. 1 is a front, top, right side isometric view of an item carrier in a first configuration showing the design; FIG. 2 is a bottom, back, left side isometric view thereof; FIG. 3 is a front elevational view thereof; FIG. 4 is a back elevational view thereof; FIG. 5 is a left side elevational view thereof; FIG. 6 is a right side elevational view thereof; FIG. 7 is a top plan view thereof; FIG. 8 is a bottom plan view thereof; FIG. 9 is a front, top, right side isometric view of the item carrier in a second configuration showing the design; FIG. 10 is a bottom, back, left side isometric view thereof; FIG. 11 is a front elevational view thereof; FIG. 12 is a back elevational view thereof; FIG. 13 is a left side elevational view thereof; FIG. 14 is a right side elevational view thereof; FIG. 15 is a top plan view thereof; and, FIG. 16 is a bottom plan view thereof.

The item carrier transitions between the configuration shown in FIGS. 1-8 and the configuration shown in FIGS. 9-16.

1 Claim, 12 Drawing Sheets



(58) **Field of Classification Search**

CPC A45F 4/02; A45F 4/08; A45F 2200/05;
 A45F 2200/0525; B25H 3/00; B25H
 3/02; B25H 3/003; B25H 3/006; B25H
 3/023; B25H 3/028; B65G 11/023; G07F
 9/105; G07F 9/002; G07F 11/00

See application file for complete search history.

(56) **References Cited**

U.S. PATENT DOCUMENTS

4,794,005 A 12/1988 Swiontek
 D306,519 S * 3/1990 Nakata D3/206
 5,275,291 A 1/1994 Sledge
 2,354,741 A 8/1994 Crane
 5,405,047 A 4/1995 Hansen
 5,827,060 A 10/1998 Zdarsky
 6,199,720 B1 3/2001 Rudick et al.
 D446,718 S * 8/2001 Anderson D9/422
 D457,718 S * 5/2002 McDonald D3/205
 6,460,693 B1 10/2002 Harrold
 6,556,889 B2 4/2003 Rudick et al.
 D482,964 S * 12/2003 Noer D9/415
 D485,749 S * 1/2004 Zaksenberg D9/424
 D546,705 S * 7/2007 Suzuki D9/415
 7,588,149 B2 9/2009 Gelardi
 D620,372 S * 7/2010 Latour D9/702
 D625,912 S * 10/2010 Sprada D3/203.3
 7,900,772 B2 3/2011 Sack et al.
 D645,244 S * 9/2011 Rietjens D3/203.3
 D645,658 S * 9/2011 Rietjens D3/203.3
 D647,295 S * 10/2011 Rietjens D3/203.3
 8,066,123 B2 11/2011 Gelardi
 D657,261 S * 4/2012 de Gast D9/711
 8,205,752 B2 6/2012 Sack et al.
 D676,323 S * 2/2013 Sugden D9/456
 D686,912 S * 7/2013 Ehde D9/415
 8,695,795 B1 * 4/2014 Huber A47B 88/994
 206/308.1
 D741,709 S * 10/2015 Sohler D9/432
 9,321,568 B2 4/2016 Gelardi et al.
 D774,902 S * 12/2016 Hendricks D9/424
 D779,933 S * 2/2017 Hendricks D9/424
 D806,534 S * 1/2018 Chou D9/425
 D816,501 S * 5/2018 Oldham D9/456

D824,253 S * 7/2018 Mayer D9/432
 D855,478 S * 8/2019 Vorobej D9/756
 D860,636 S * 9/2019 Moody D3/203.3
 D878,197 S * 3/2020 Griffin D9/432
 D880,292 S * 4/2020 Blomberg D9/432
 D898,573 S * 10/2020 Noyori D9/455
 D899,247 S * 10/2020 Kilduff D9/432
 D911,167 S * 2/2021 Tsai D9/432
 2005/0281920 A1 12/2005 Maskell et al.
 2006/0006091 A1 1/2006 Maietta
 2010/0012547 A1 1/2010 Gardner
 2011/0132779 A1 6/2011 Loughman et al.
 2011/0163155 A1 7/2011 Kalin et al.
 2012/0037534 A1 * 2/2012 Omage B65D 51/20
 206/557
 2015/0203276 A1 7/2015 Hession
 2016/0257471 A1 * 9/2016 Rud B65D 65/38
 2017/0144807 A1 * 5/2017 Rud B65D 43/20
 2018/0222642 A1 * 8/2018 Rud B65D 25/22
 2018/0243171 A1 8/2018 Knotts et al.
 2019/0283921 A1 * 9/2019 Stamoulis A45C 11/008
 2020/0294344 A1 * 9/2020 Adams B65D 43/12

FOREIGN PATENT DOCUMENTS

CA	3020612	10/2018
DE	3442470	5/1986
EM	007971759-0005	* 7/2020
ES	2043979	1/1994
ES	2543062	8/2015
FR	68316	4/1958
GB	2042476	9/1980
JP	2008539144	11/2008
KR	2011041713	4/2011
KR	1117777	3/2012
KR	1756145	7/2017
KR	1875279	7/2018
KR	1889786	8/2018
KR	1914137	11/2018
MX	2007003065	8/2007
WO	1998001368	1/1998
WO	1999054209	10/1999
WO	2005037123	4/2005
WO	2009000890	12/2008
WO	2012108454	8/2012
WO	2015066109	5/2015

* cited by examiner

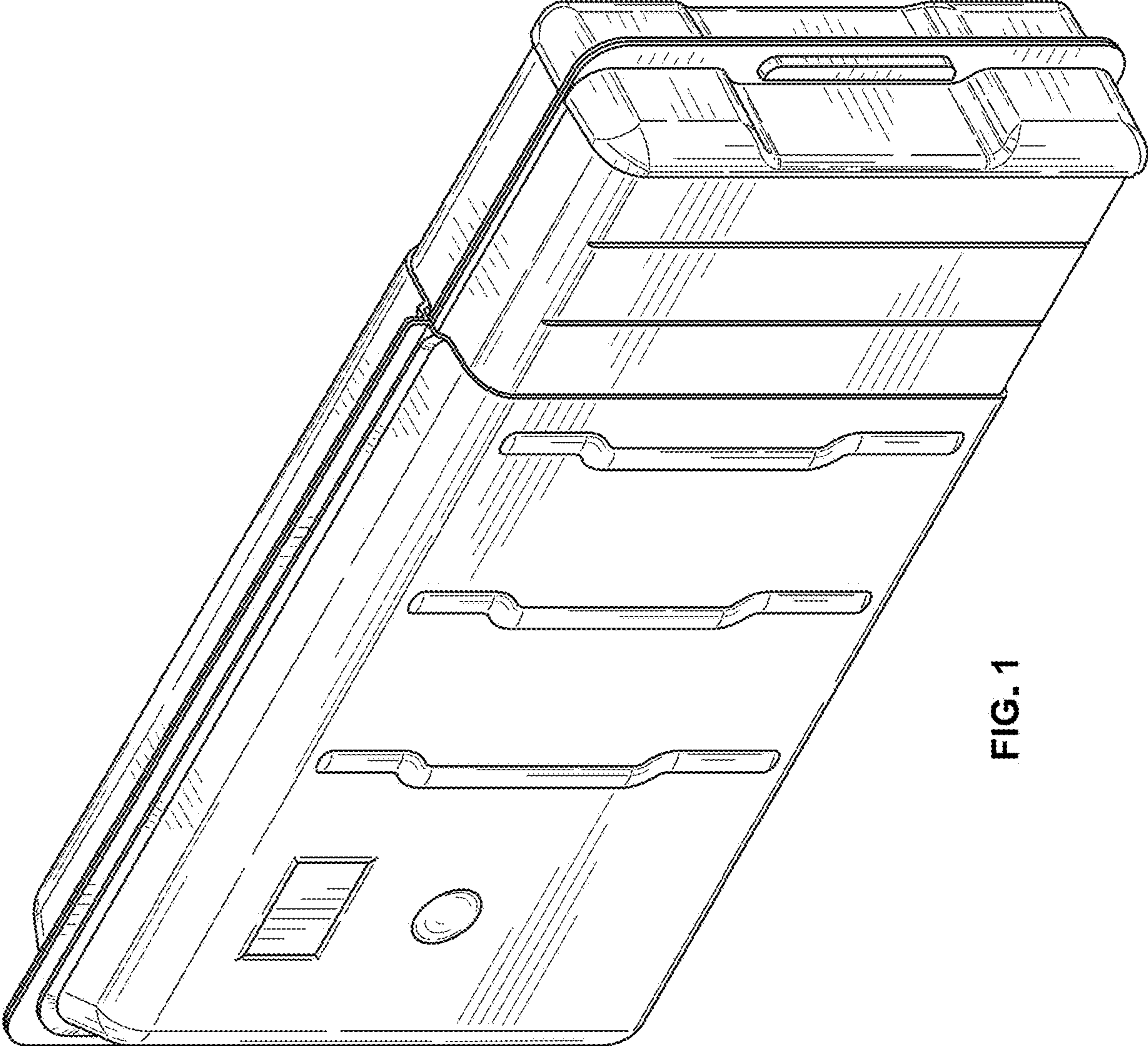


FIG. 1

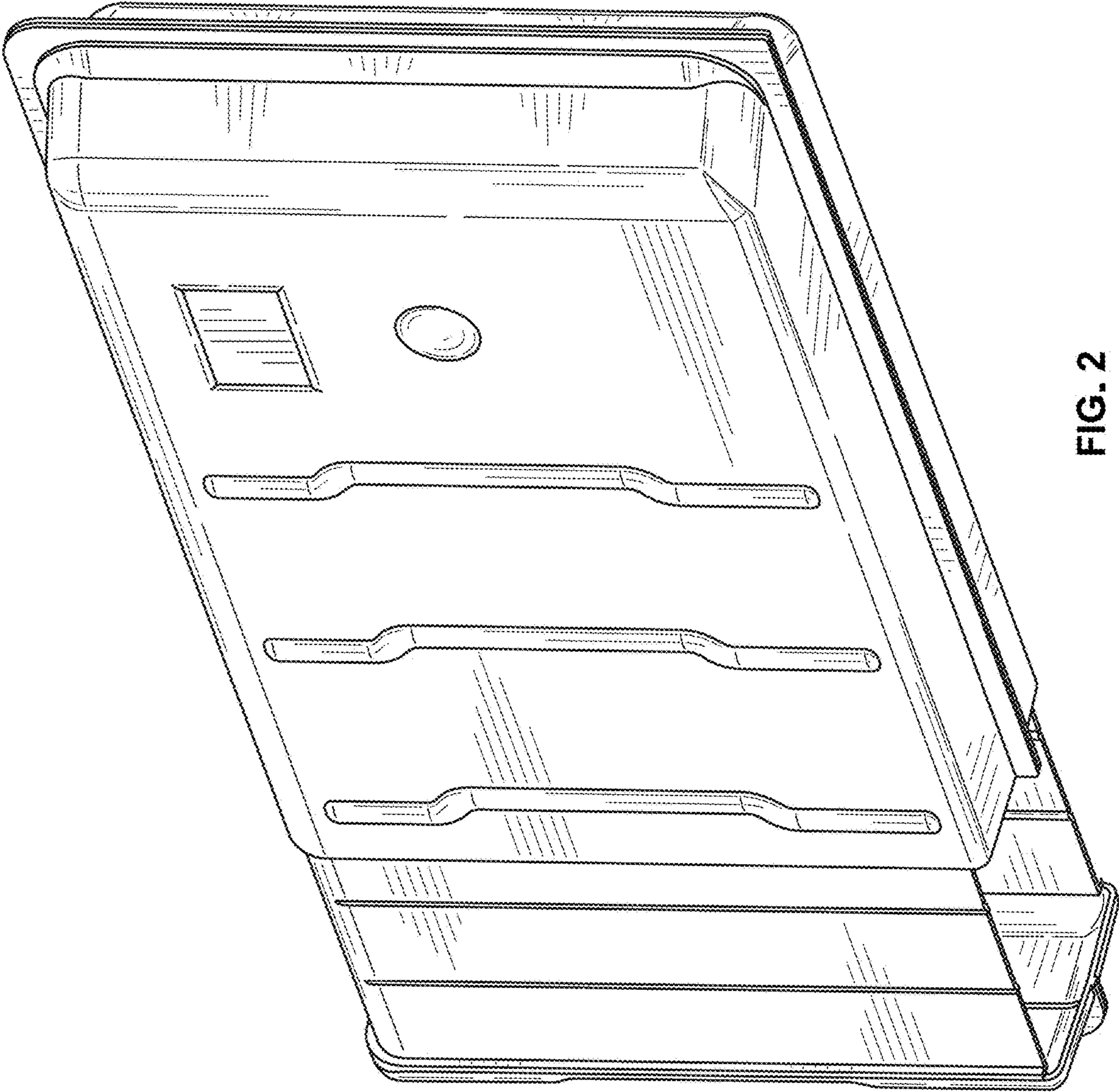


FIG. 2

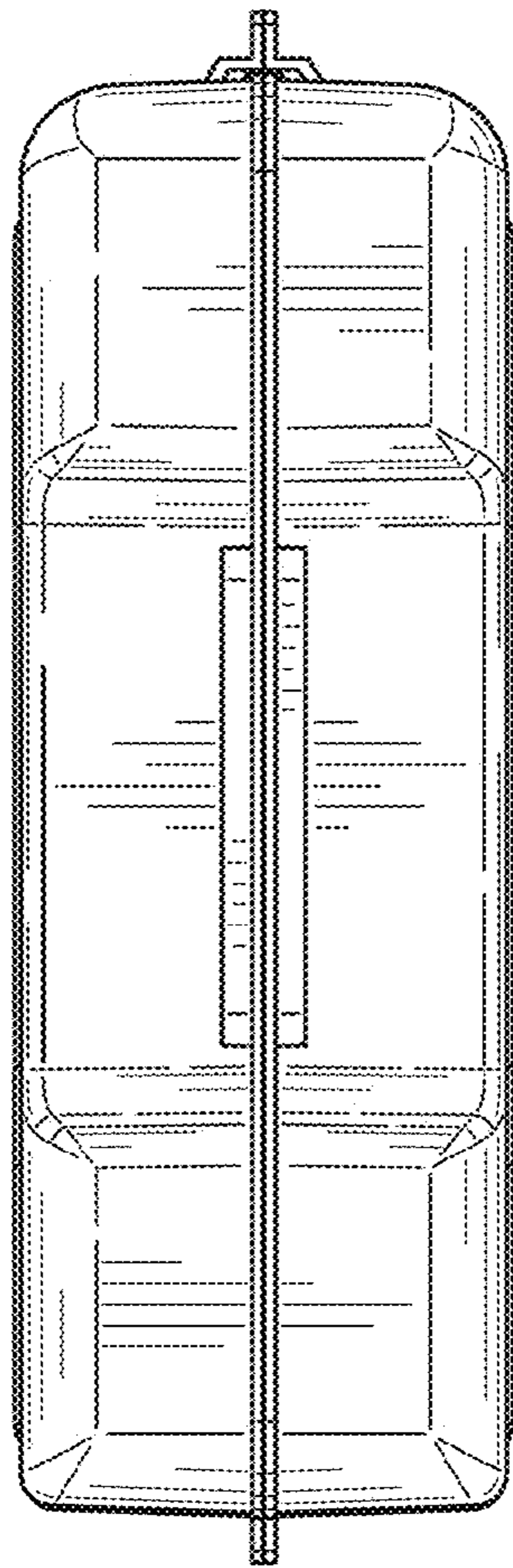


FIG. 3

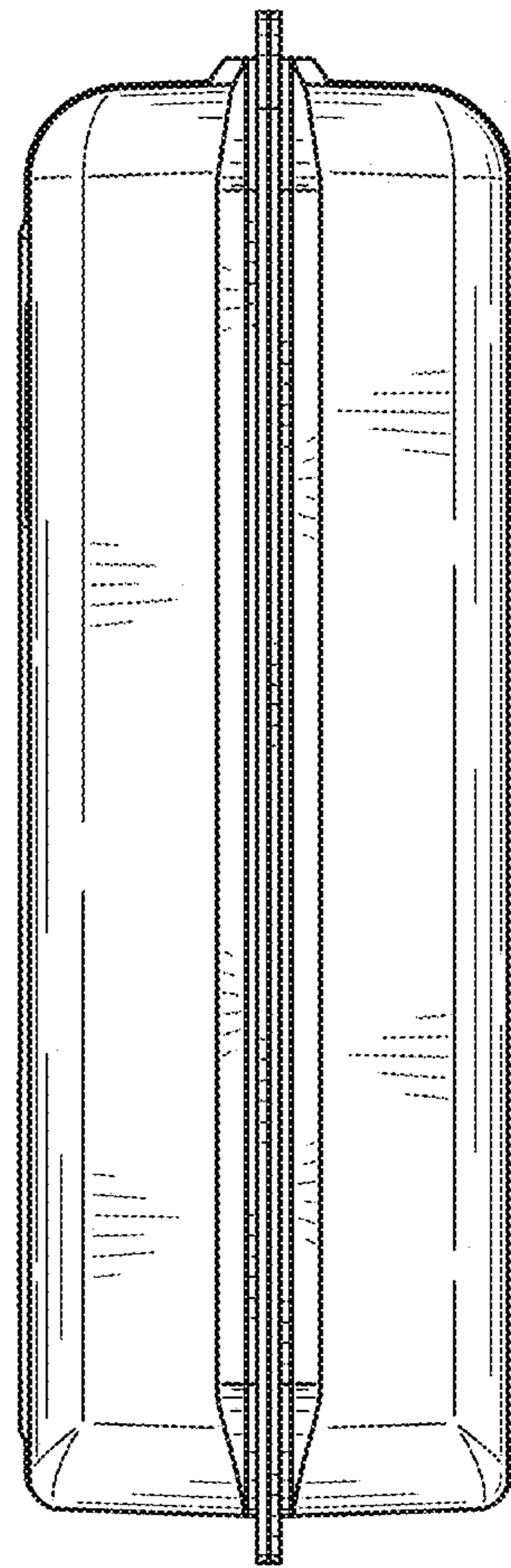


FIG. 4

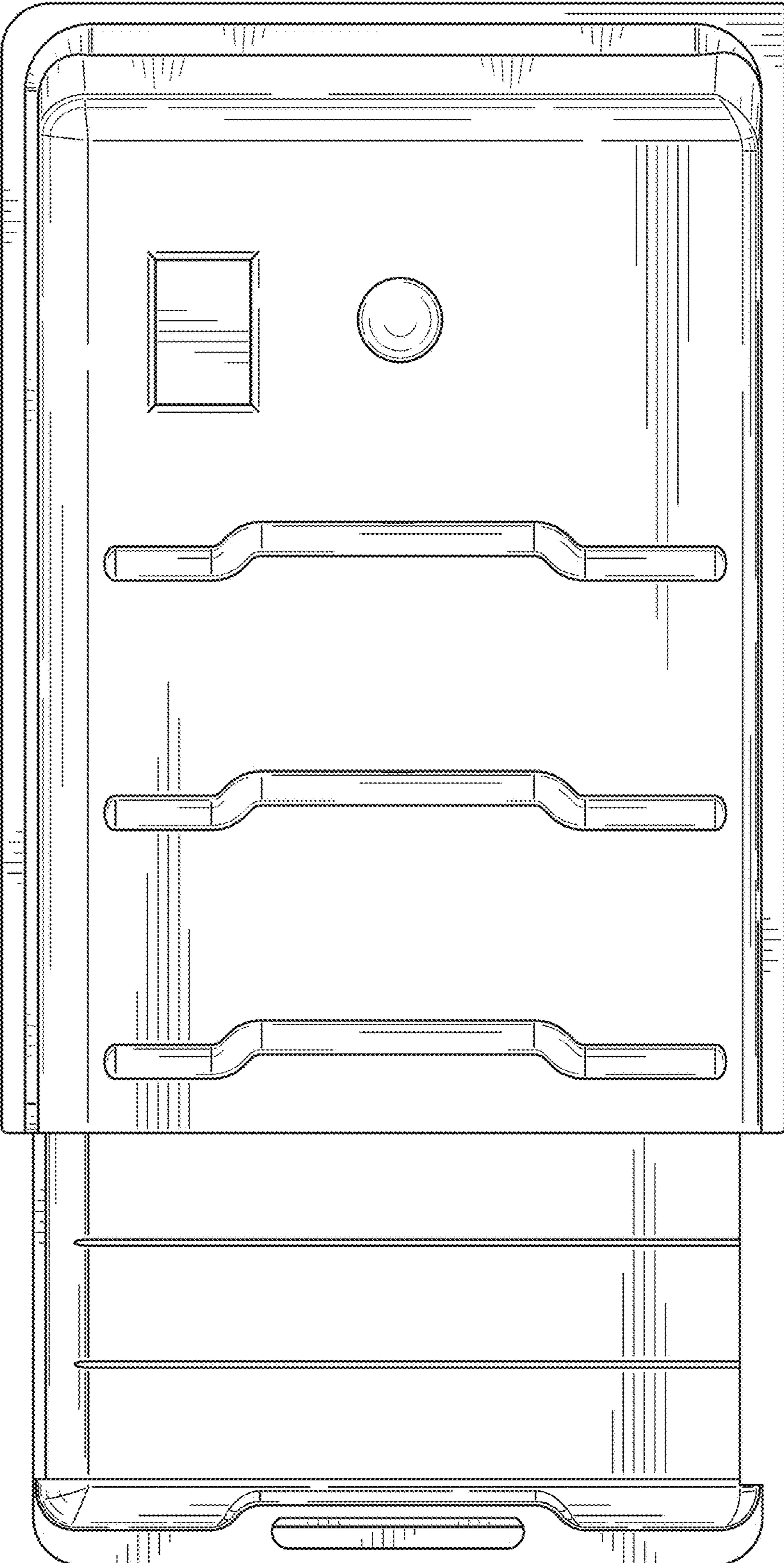


FIG. 5

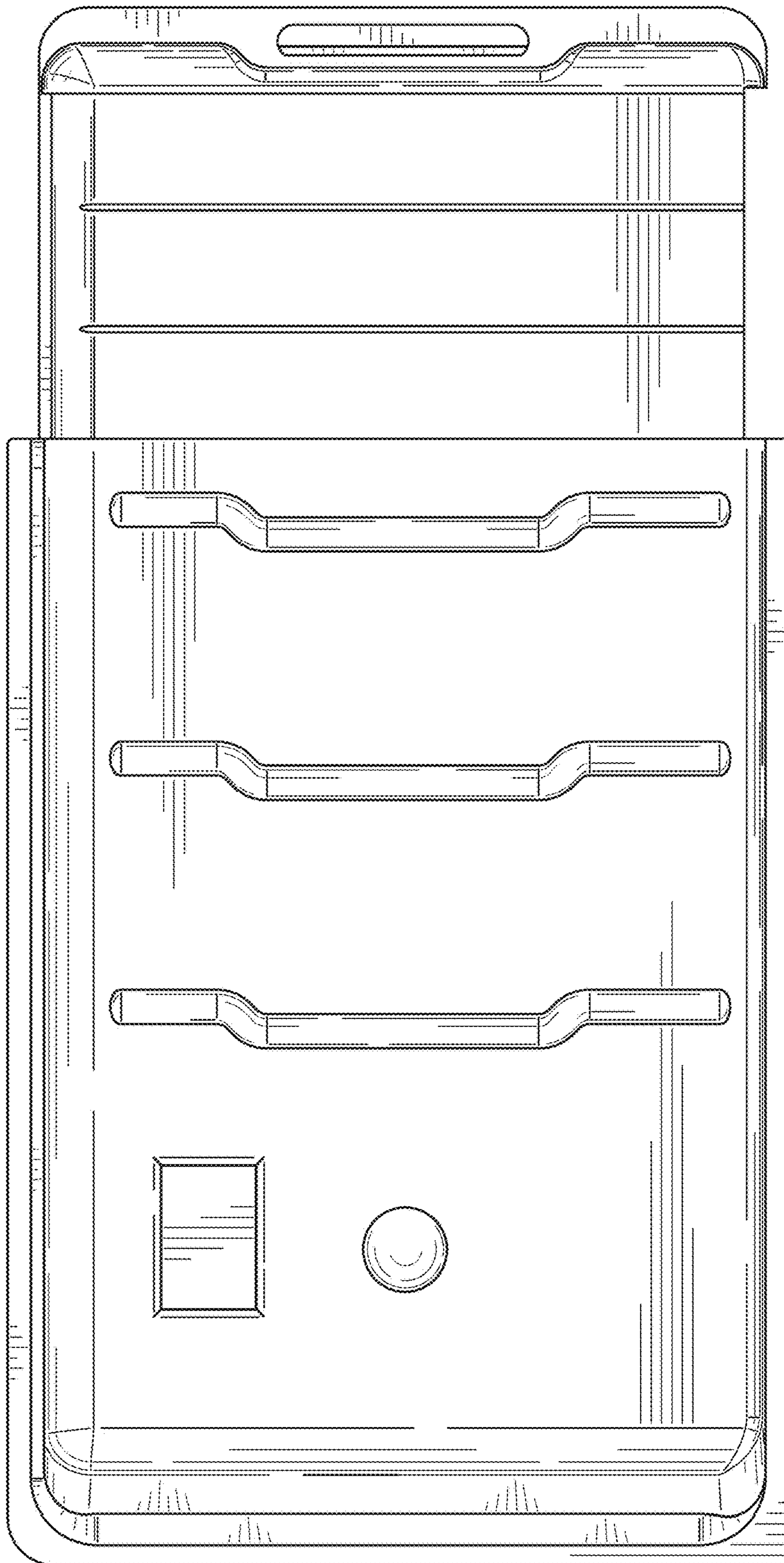


FIG. 6

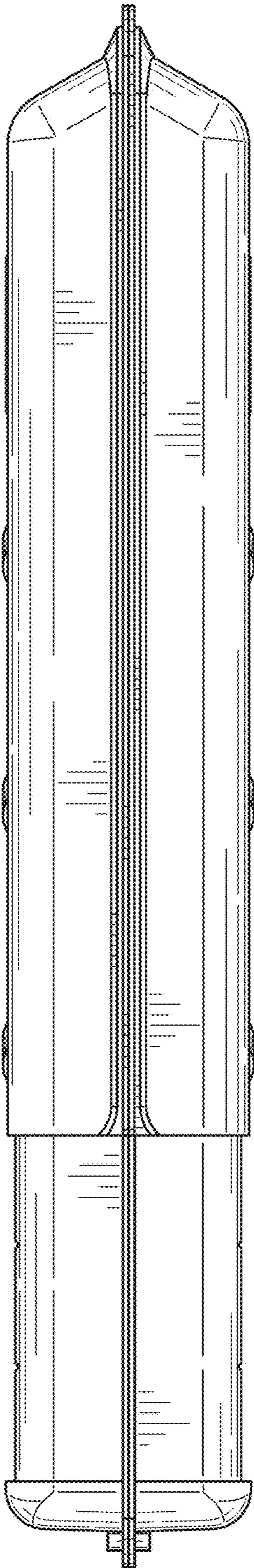


FIG. 7

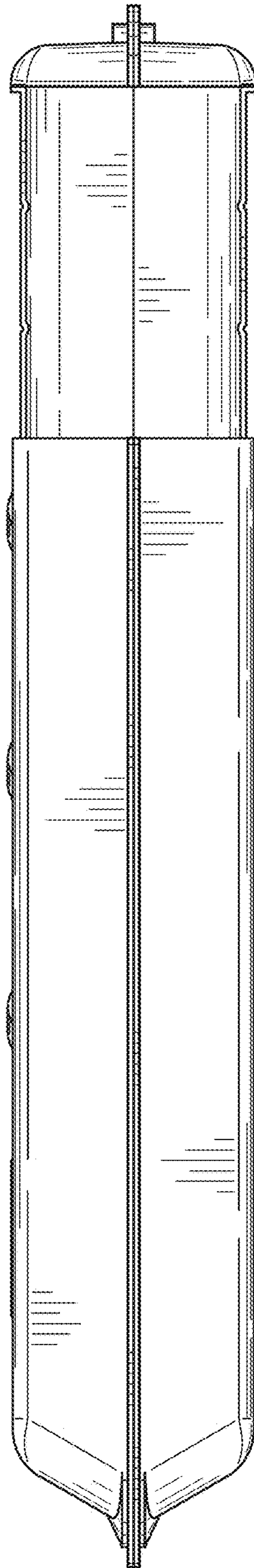


FIG. 8

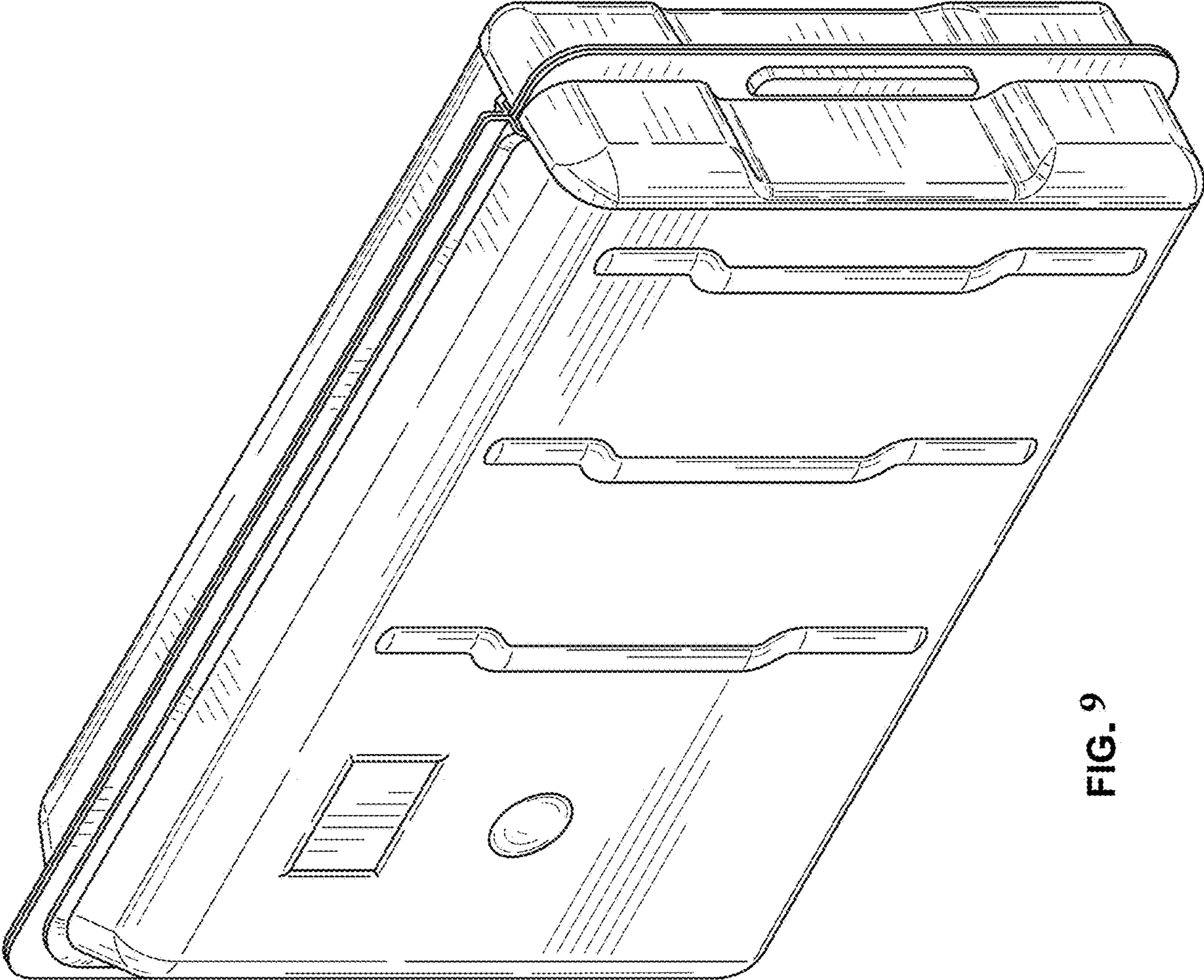


FIG. 9

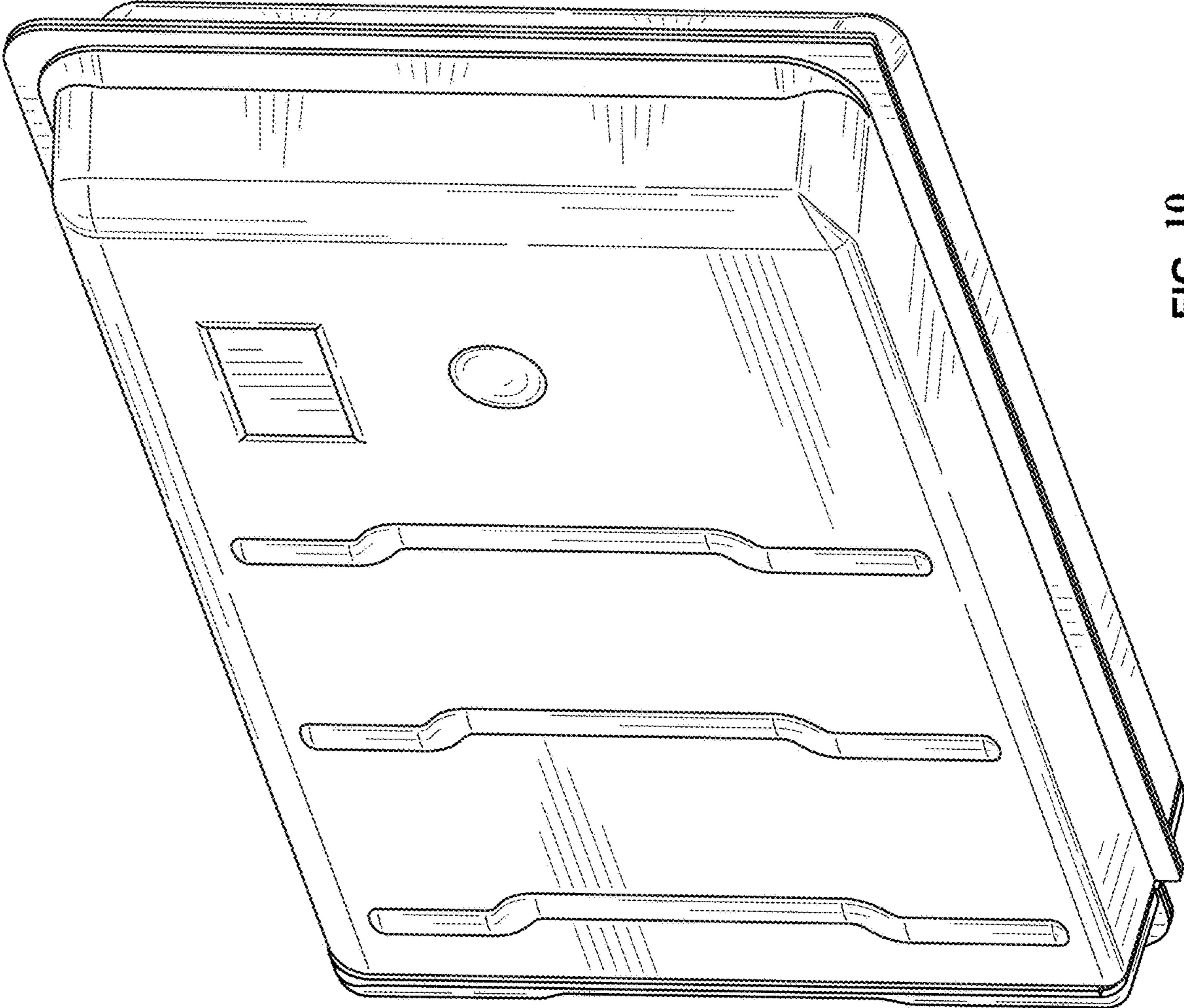


FIG. 10

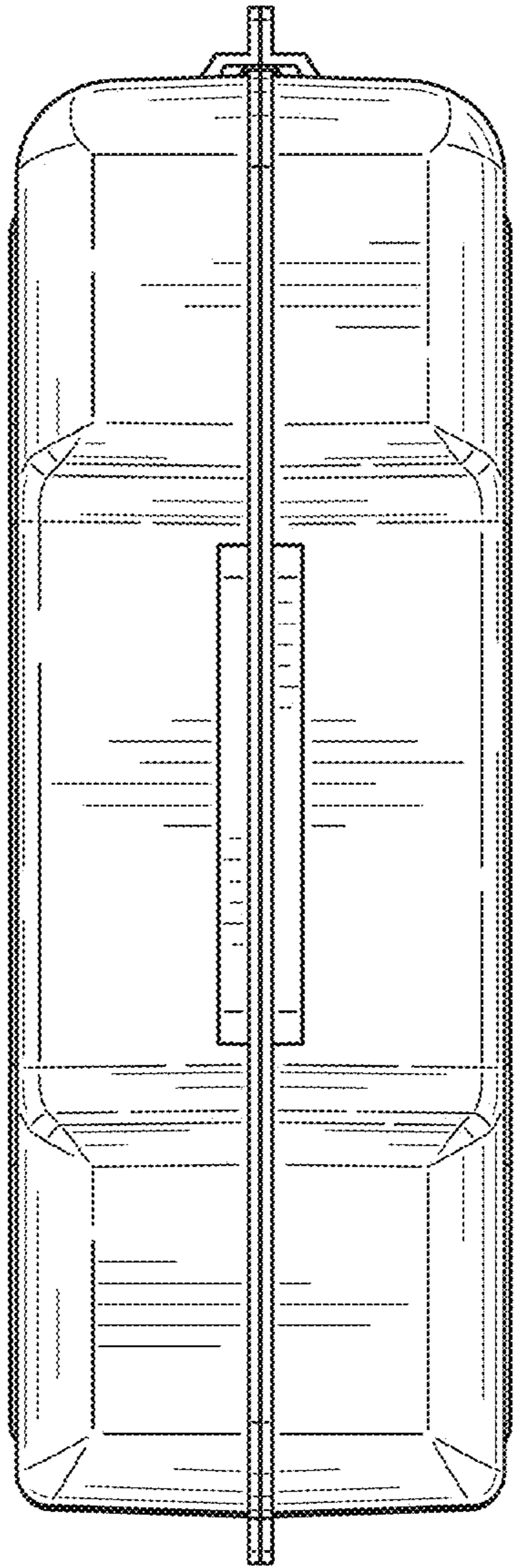


FIG. 11

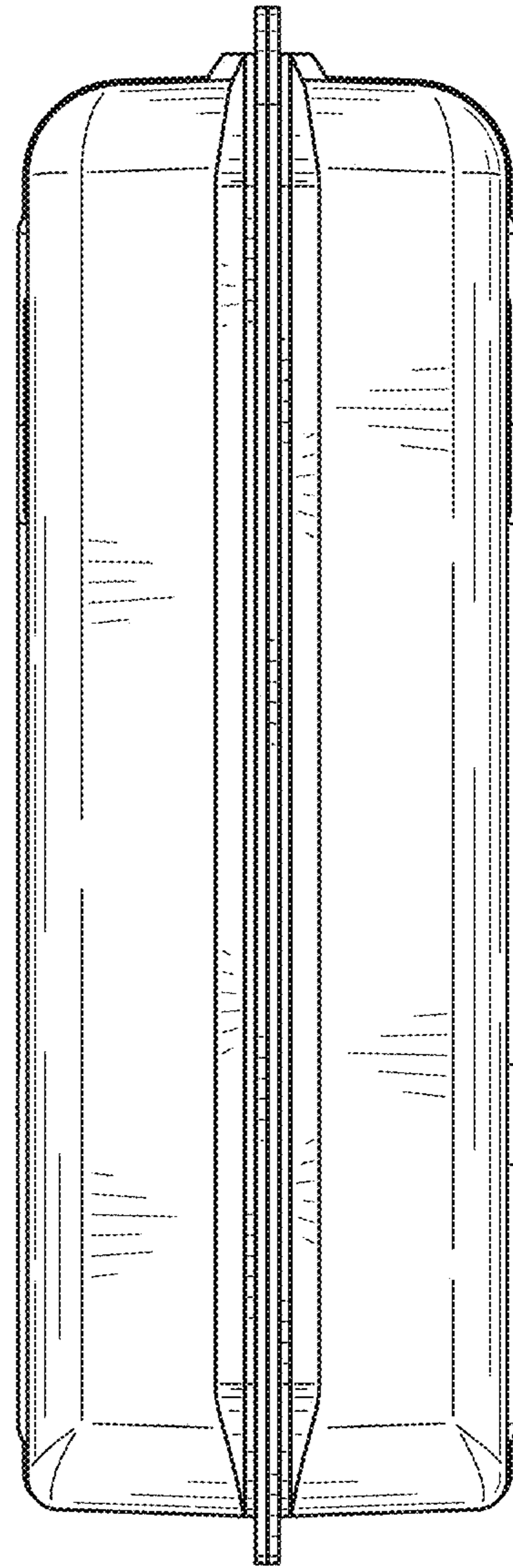


FIG. 12

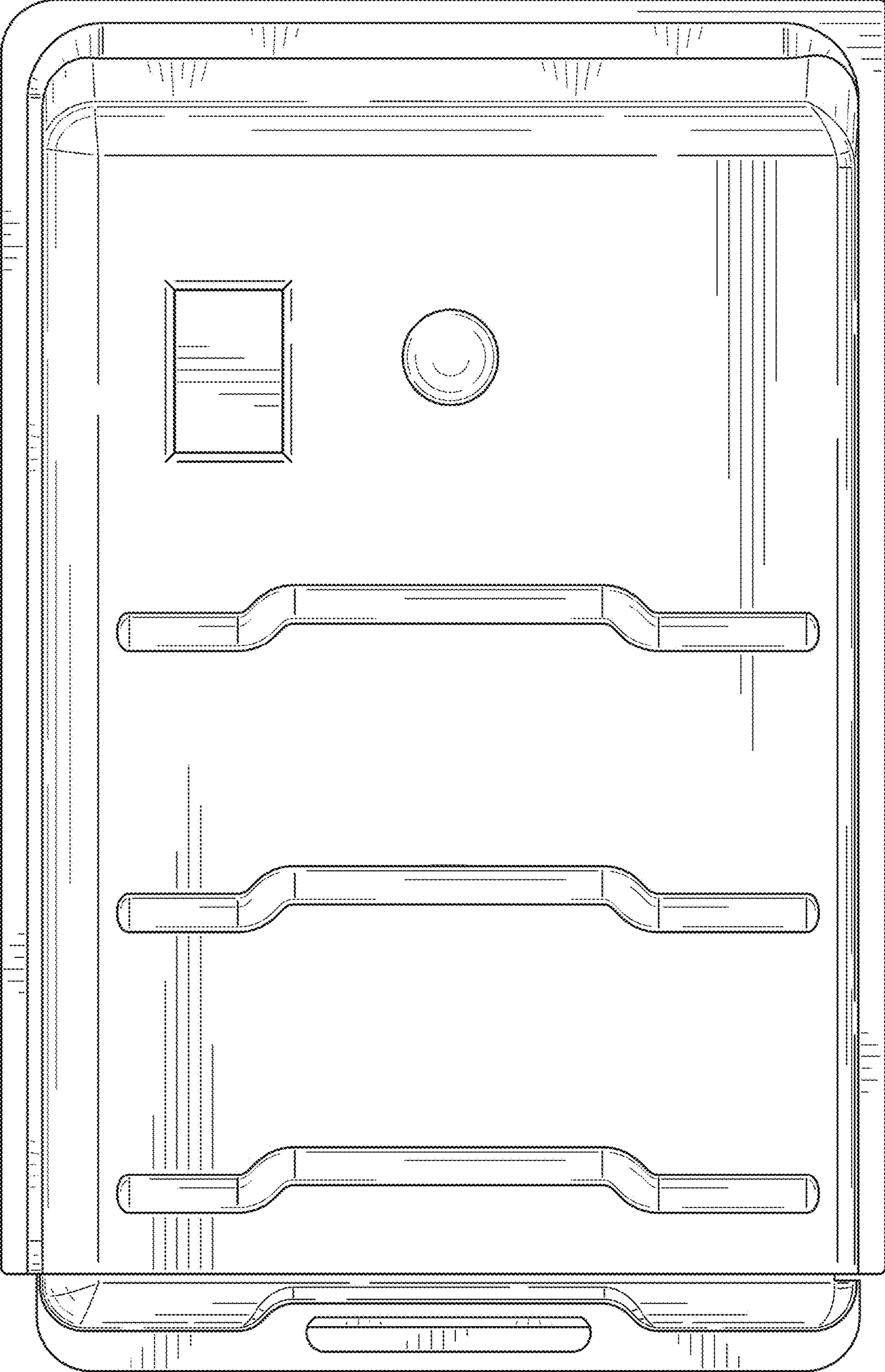


FIG. 13

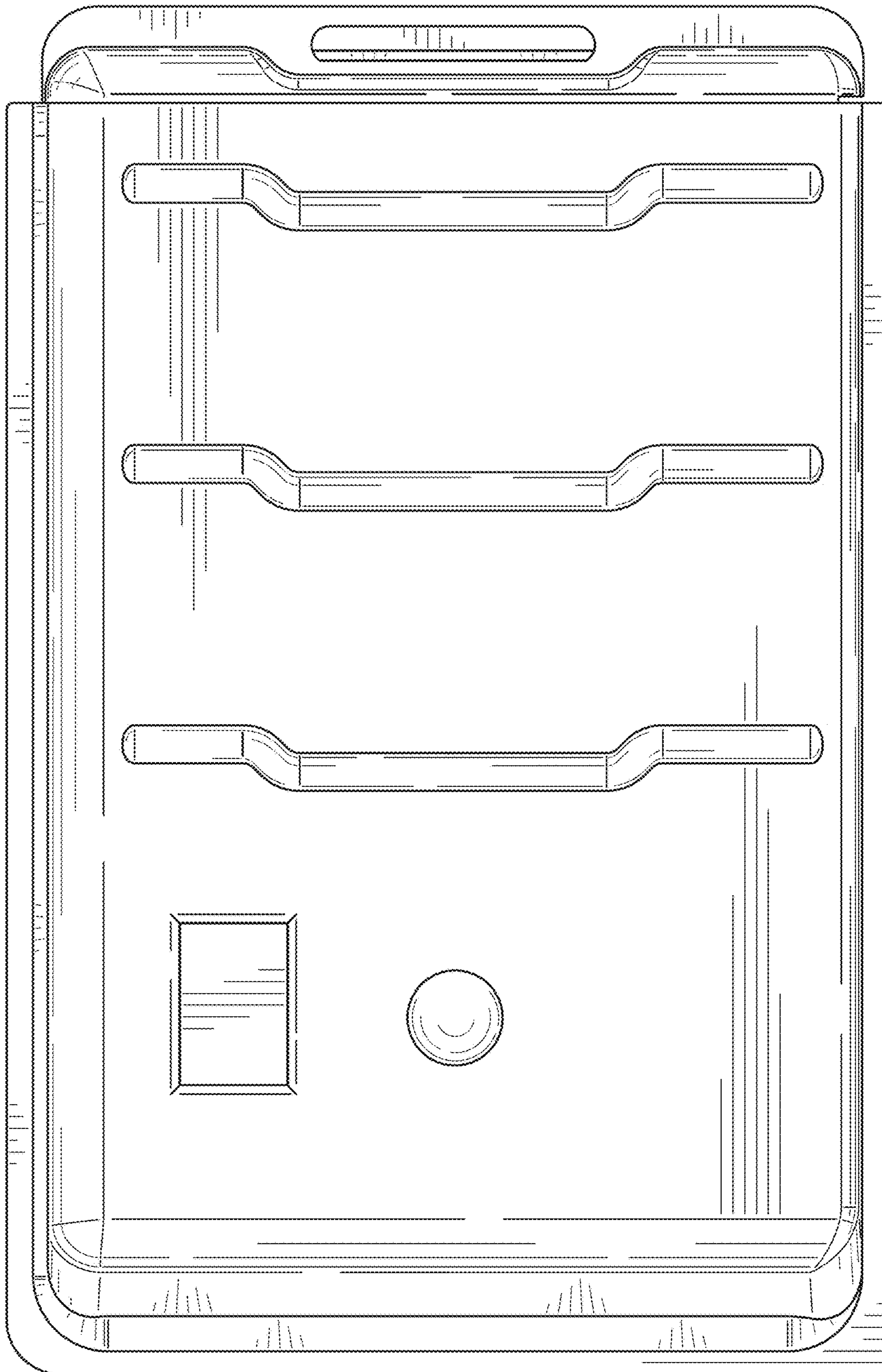


FIG. 14

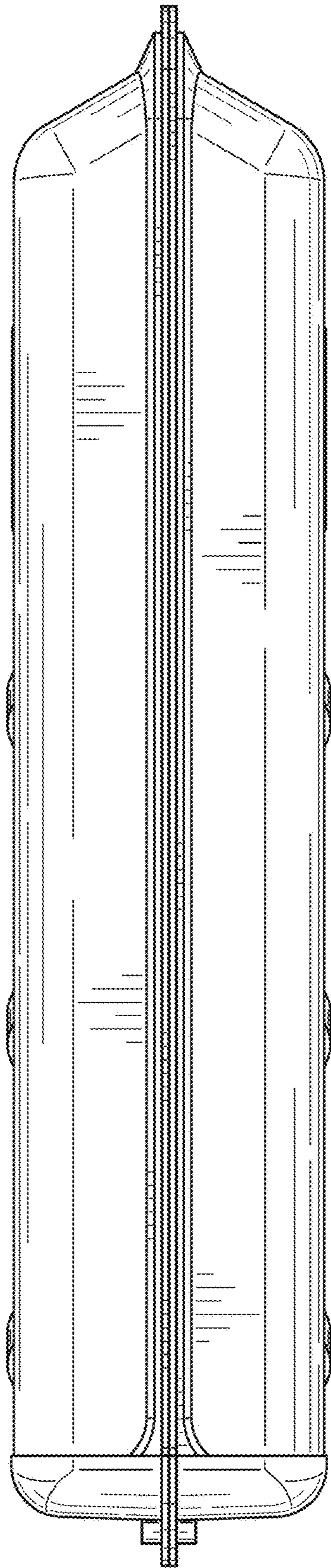


FIG. 15

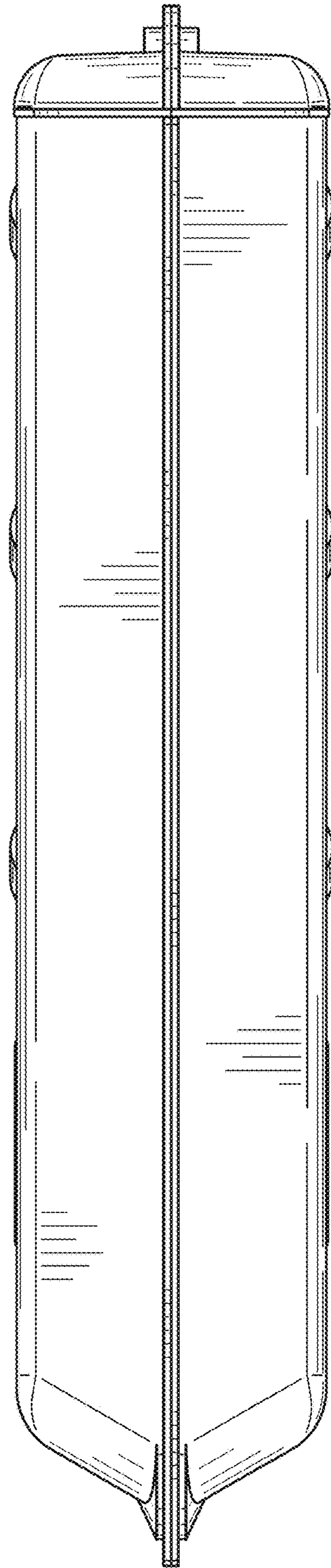


FIG. 16