



US00D924320S

(12) **United States Design Patent** (10) **Patent No.:** **US D924,320 S**
Cesar et al. (45) **Date of Patent:** **** Jul. 6, 2021**

(54) **LARGE FORMAT PRINTER**
(71) Applicant: **Hewlett-Packard Development Company, L.P.**, Spring, TX (US)

D823,383 S * 7/2018 Miyauchi D18/53
D823,384 S * 7/2018 Miyauchi D18/53
D877,240 S * 3/2020 Cesar D18/53
2014/0111587 A1 * 4/2014 Nakano B41J 11/0005
347/104

(72) Inventors: **Javier Alfonso Cesar**, Sant Cugat del Vallès (ES); **Ferran Rafat Esquius**, Sant Cugat del Vallès (ES); **Ferran Alex Paris**, Sant Cugat del Vallès (ES)

FOREIGN PATENT DOCUMENTS

CN 305250774 * 7/2019
CN 305631507 * 2/2020

(73) Assignee: **Hewlett-Packard Development Company, L.P.**, Spring, TX (US)

OTHER PUBLICATIONS

Hasco Graphics, Inc. Link: <http://hascographics.com/printers/roland-truevis-vg2-640-printer-cutter-new/>. Visited Apr. 9, 2020. Roland TrueVIS VG2-640 Printer/Cutter. (Year: 2020).*

(**) Term: **15 Years**

* cited by examiner

(21) Appl. No.: **29/706,133**

(22) Filed: **Sep. 18, 2019**

Primary Examiner — Lauren D McVey

(51) **LOC (13) Cl.** **18-02**

(74) *Attorney, Agent, or Firm* — Hanley Flight & Zimmerman LLC

(52) **U.S. Cl.**

USPC **D18/53**

(58) **Field of Classification Search**

USPC D18/50, 53, 54, 55, 56, 59, 36, 37, 38, D18/39, 40, 41, 45; D14/301, 307, 121
CPC H04N 1/00278; H04N 1/00204; H04N 1/00249; G06K 15/12; G06K 15/14; B41J 3/00; B41J 3/28; B41J 3/445; B41J 3/46

See application file for complete search history.

(56) **References Cited**

U.S. PATENT DOCUMENTS

D464,080 S * 10/2002 Yamano D18/53
D529,545 S * 10/2006 Kimura D18/53
D561,823 S * 2/2008 Morillo D18/53
D597,131 S * 7/2009 Yamano D18/53
8,474,971 B2 * 7/2013 Okazaki B41J 11/0085
347/104
D700,608 S * 3/2014 Stange B41J 11/001
D14/421
D728,678 S * 5/2015 Cesar D18/53
D747,766 S * 1/2016 Cesar D18/53
D799,591 S * 10/2017 Kusanagi D18/53

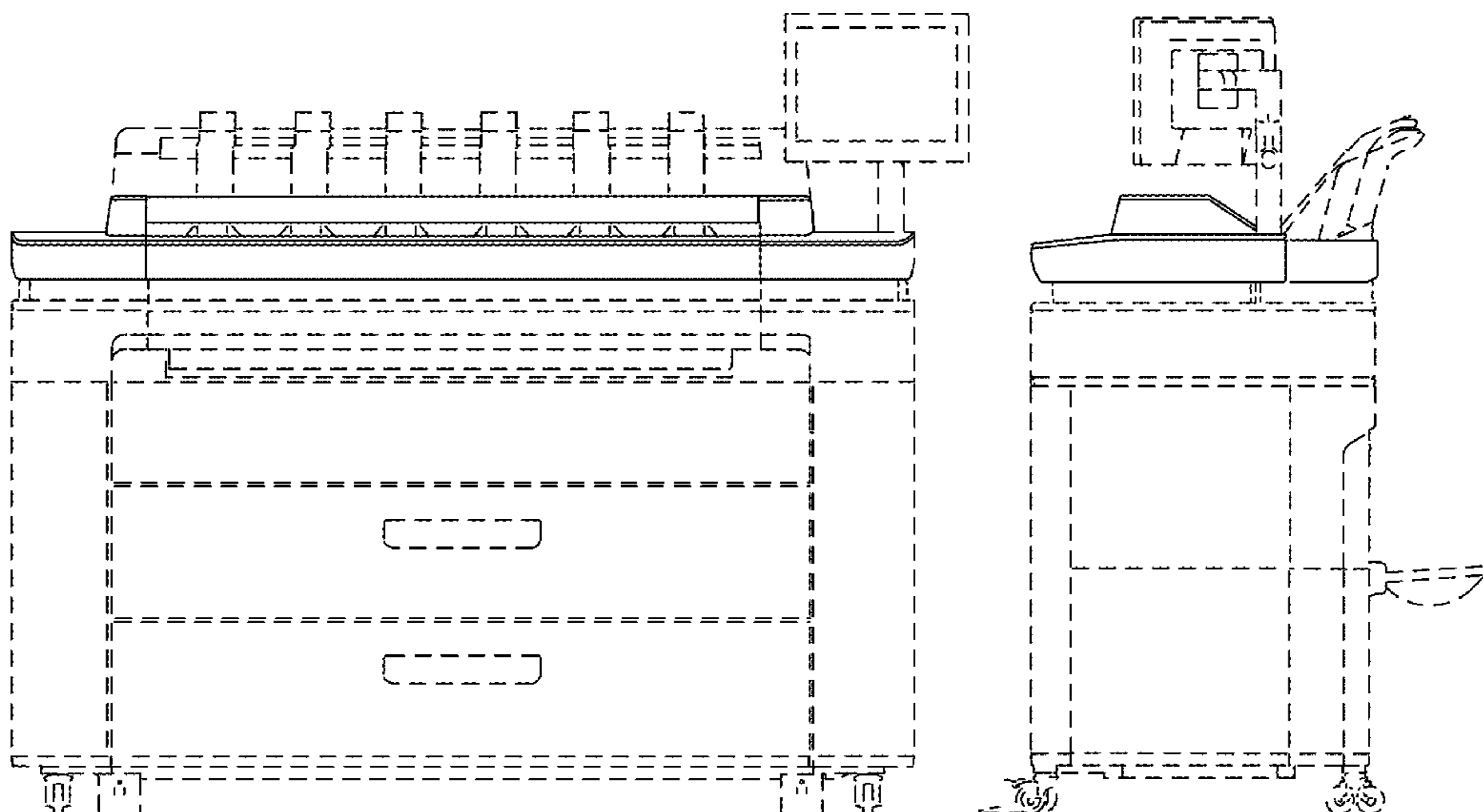
(57) **CLAIM**

The ornamental design for a large format printer, as shown and described.

DESCRIPTION

FIG. 1 is a right, front perspective view of a large format printer showing our new design;
FIG. 2 is a left, front perspective view of the printer of FIG. 1;
FIG. 3 is a front elevation view of the printer of FIG. 1;
FIG. 4 is a right side elevation view of the printer of FIG. 1;
FIG. 5 is a left side elevation view of the printer of FIG. 1; and,
FIG. 6 is a top plan view of the printer of FIG. 1.
The broken lines and dotted lines depict environmental portions of the large format printer that form no part of the claimed design.

1 Claim, 6 Drawing Sheets



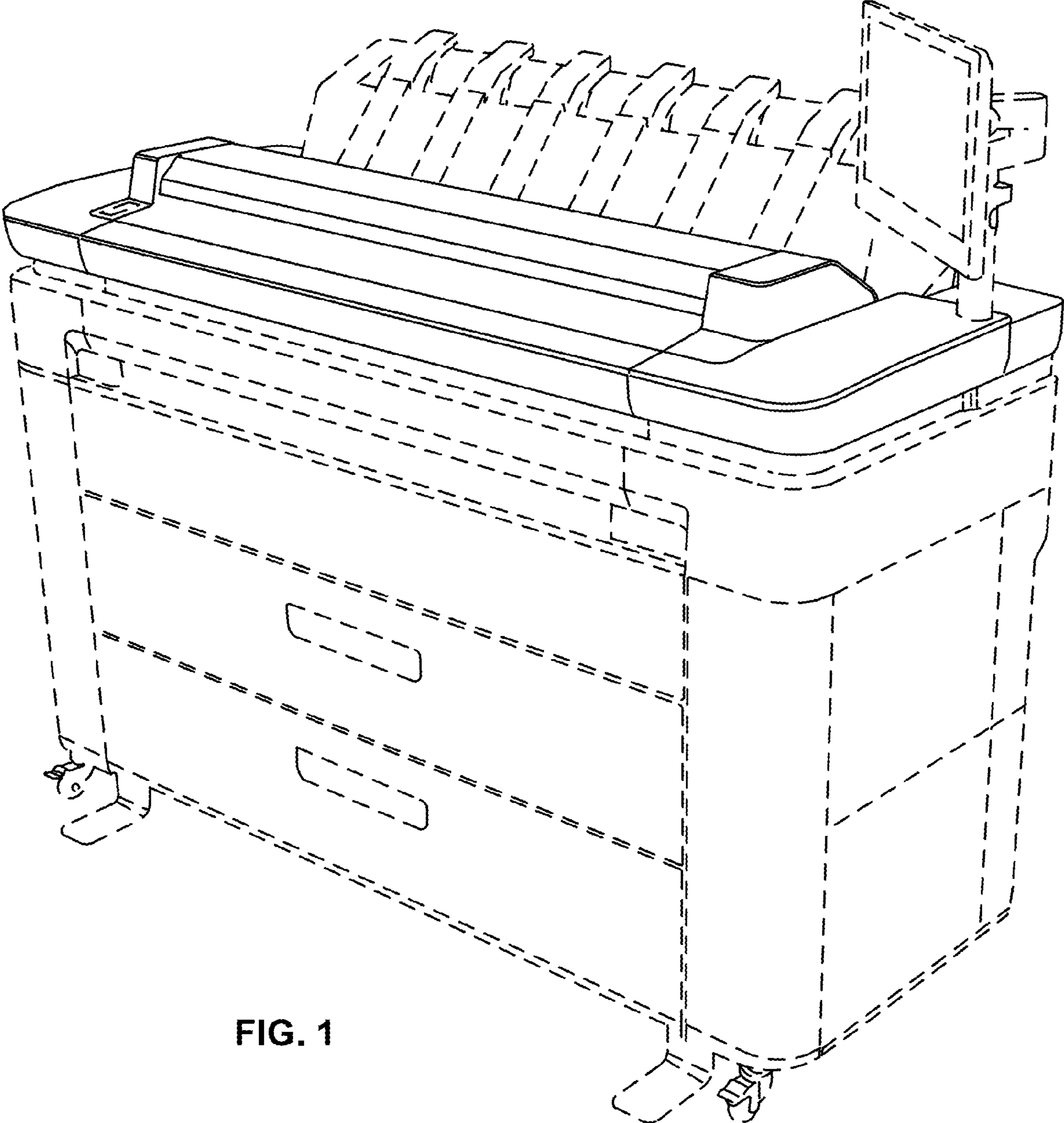


FIG. 1

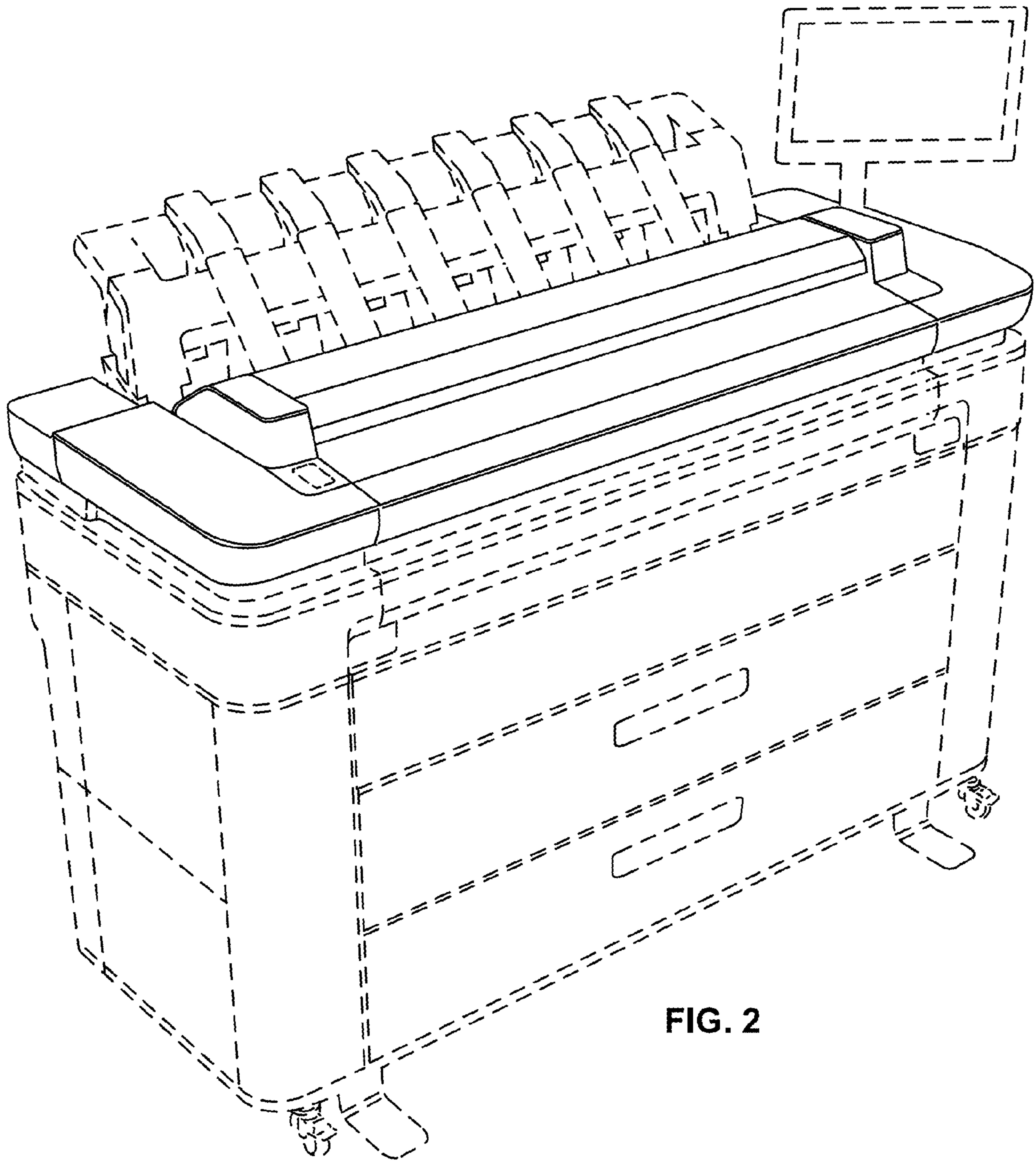


FIG. 2

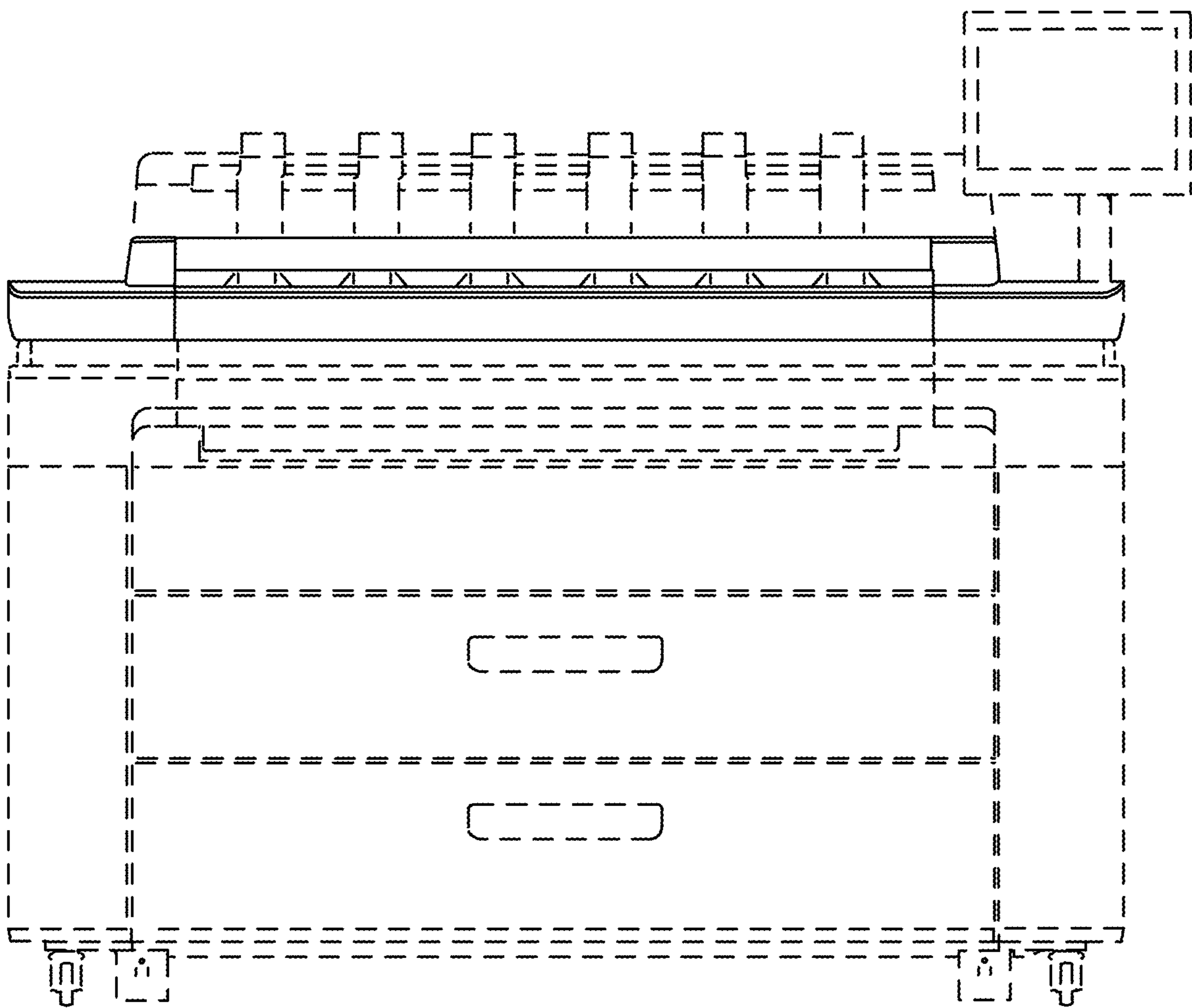


FIG. 3

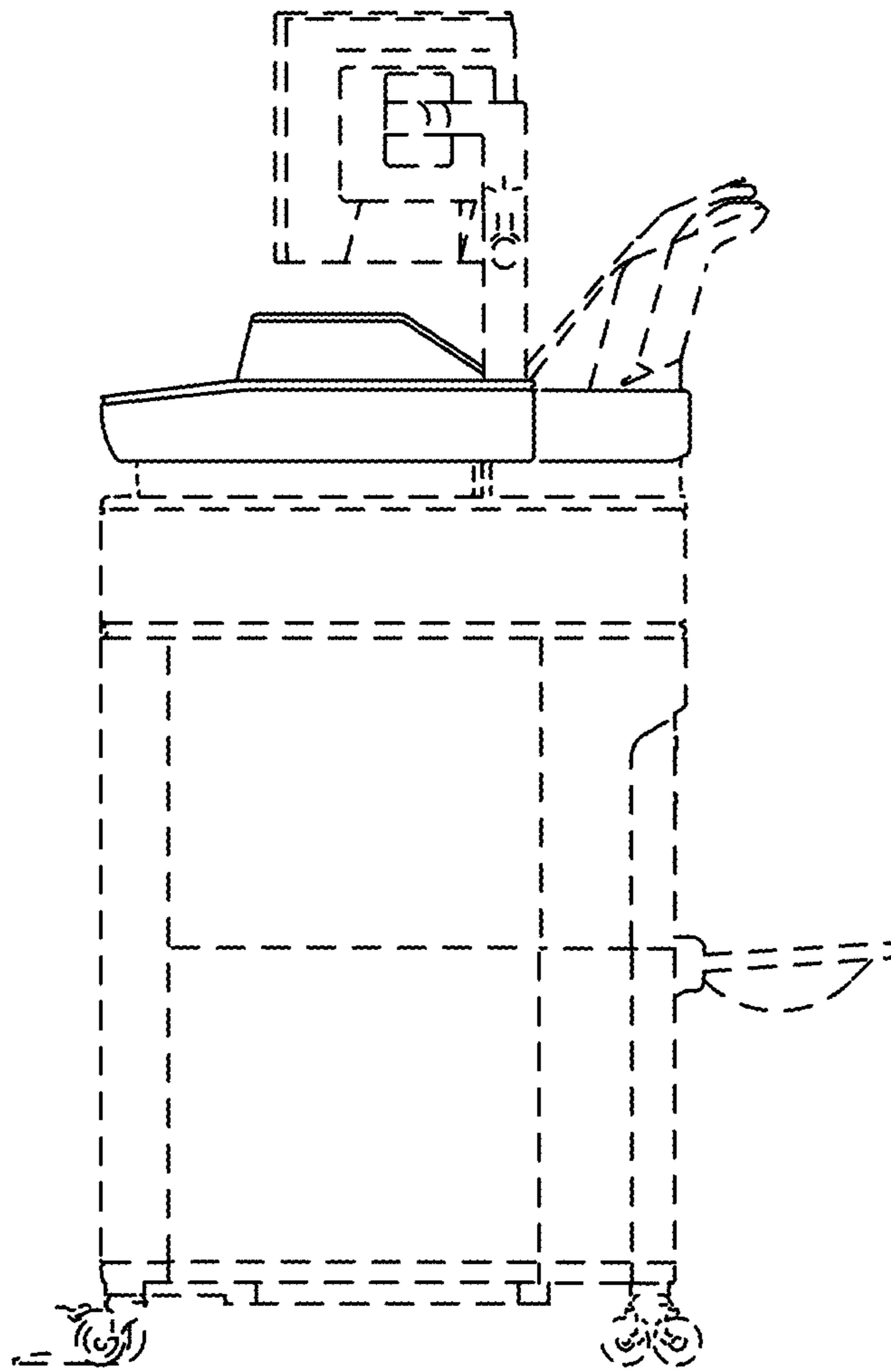


FIG. 4

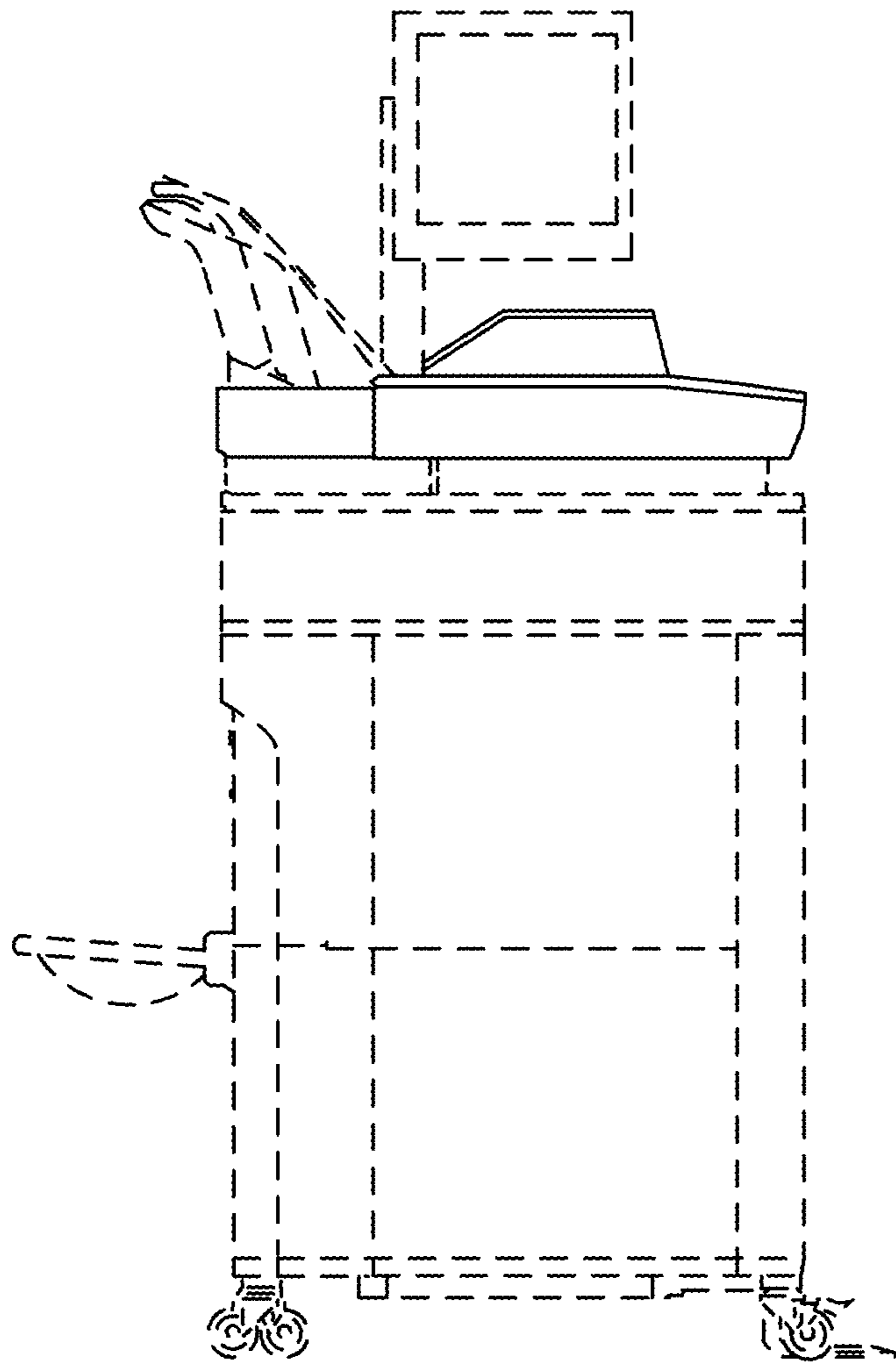


FIG. 5

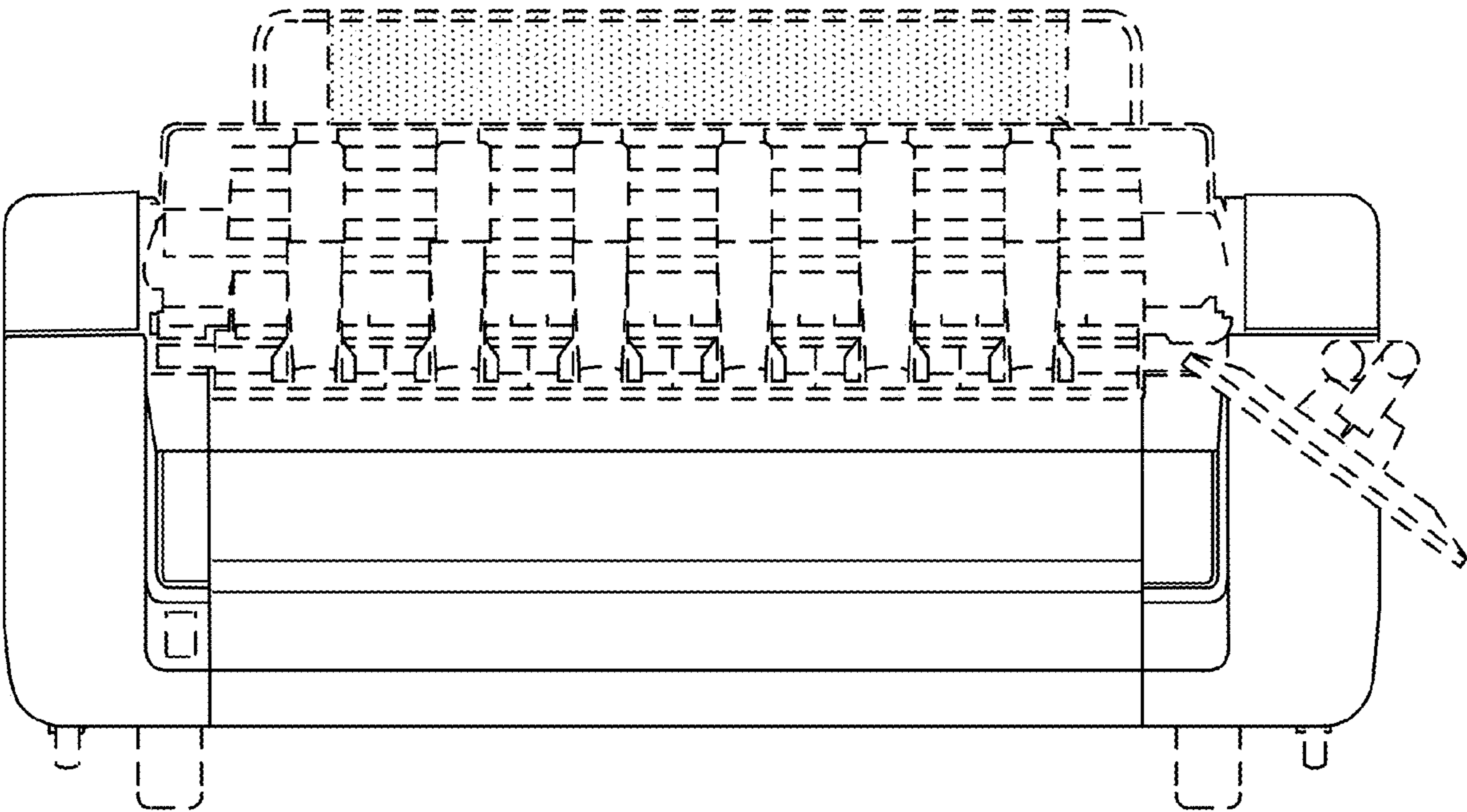


FIG. 6