



US00D924319S

(12) **United States Design Patent**  
**Nieda et al.**

(10) **Patent No.:** **US D924,319 S**  
(45) **Date of Patent:** **\*\* Jul. 6, 2021**

(54) **TONER CARTRIDGE**

7,068,954 B1 6/2006 Miller  
7,068,963 B2 6/2006 Moore et al.  
D617,372 S 6/2010 Victor

(Continued)

(71) Applicants: **Hiroaki Nieda**, Ohta-ku (JP); **Emi Kita**, Ohta-ku (JP)

FOREIGN PATENT DOCUMENTS

(72) Inventors: **Hiroaki Nieda**, Ohta-ku (JP); **Emi Kita**, Ohta-ku (JP)

EP 0 400 557 A2 12/1990  
RU 00116044 \* 8/2019

(73) Assignee: **Ricoh Company, Ltd.**, Tokyo (JP)

OTHER PUBLICATIONS

(\*\*) Term: **15 Years**

Dell. Link: <https://www.dell.com/en-uk/work/shop/dell-printer-drum-kit-imaging-drum-unit/apd/724-10518/printers-ink-toner>. Visited May 7, 2020. Dell Printer Drum Kit—Imaging Drum Unit. (Year: 2020).\*

(21) Appl. No.: **29/682,546**

(Continued)

(22) Filed: **Mar. 6, 2019**

(30) **Foreign Application Priority Data**

Dec. 11, 2018 (JP) ..... 2018-026994

*Primary Examiner* — Lauren D McVey

(74) *Attorney, Agent, or Firm* — Oblon, McClelland, Maier & Neustadt, L.L.P.

(51) **LOC (13) Cl.** ..... **16-03**

(57) **CLAIM**

The ornamental design for a toner cartridge, as shown and described.

(52) **U.S. Cl.**

USPC ..... **D18/43**

(58) **Field of Classification Search**

USPC ..... D18/40–45, 56

CPC ..... G03G 15/0894; G03G 15/0898; G03G

21/1661; G03G 15/0872; G03G 15/0874;

G03G 15/0868; G03G 15/087; G03G

15/0877; G03G 15/0875; G03G 15/0896;

G03G 21/18; G03G 21/1803; G03G

21/1807; G03G 21/1666; G03G 21/1671;

G03G 21/1676; G03G 21/168; G03G

21/1685; G03G 21/169; G03G 21/1695

See application file for complete search history.

**DESCRIPTION**

FIG. 1 is a front, top, and right side perspective view of a toner cartridge in a first position;

FIG. 2 is a rear, bottom, and left side perspective view thereof;

FIG. 3 is a rear, top, and left side perspective view thereof in a second position;

FIG. 4 is a front elevation view of FIG. 1;

FIG. 5 is a rear elevation view thereof;

FIG. 6 is a top plan view thereof;

FIG. 7 is a bottom plan view thereof;

FIG. 8 is a left side elevation view thereof; and,

FIG. 9 is a right side elevation view thereof.

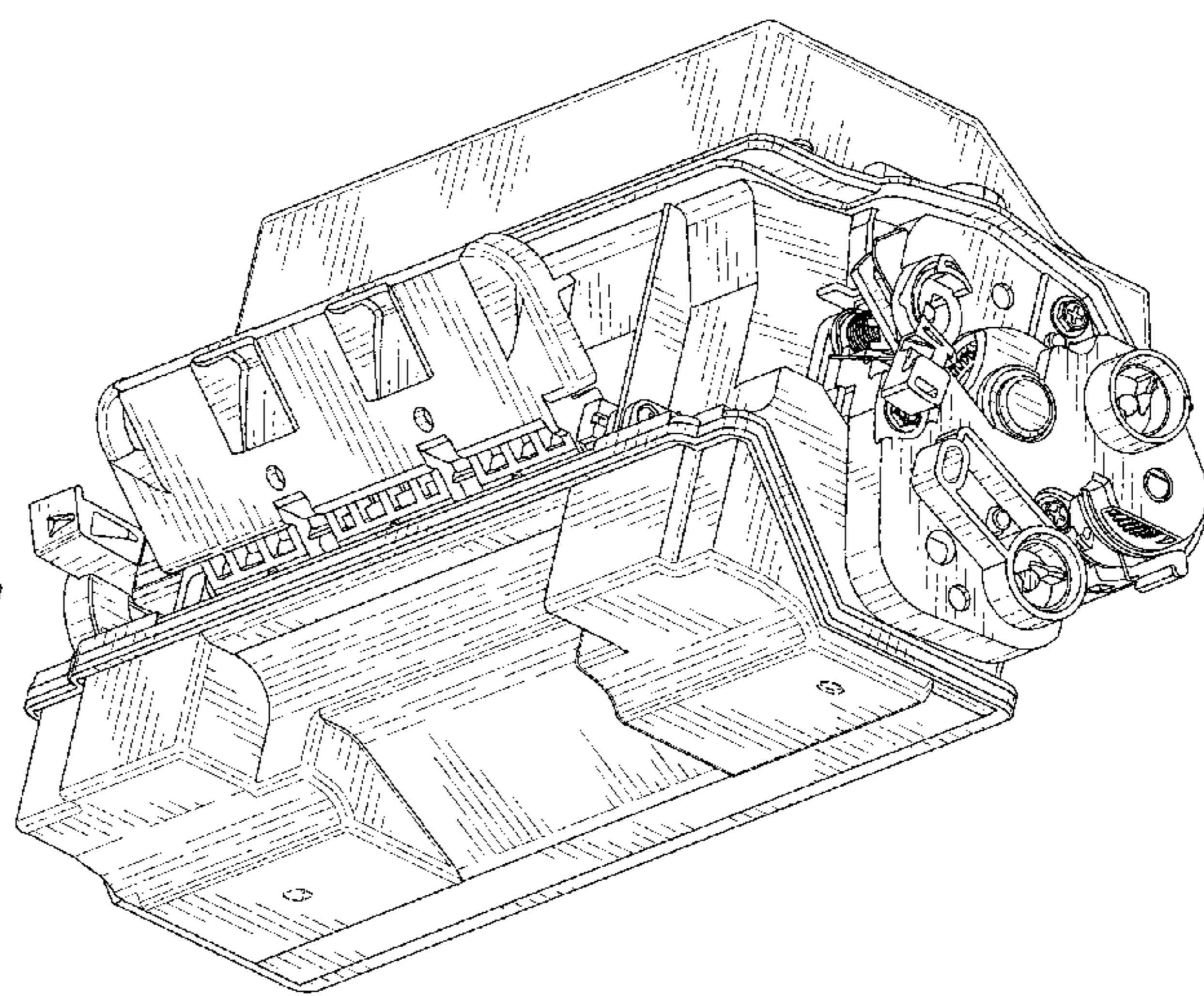
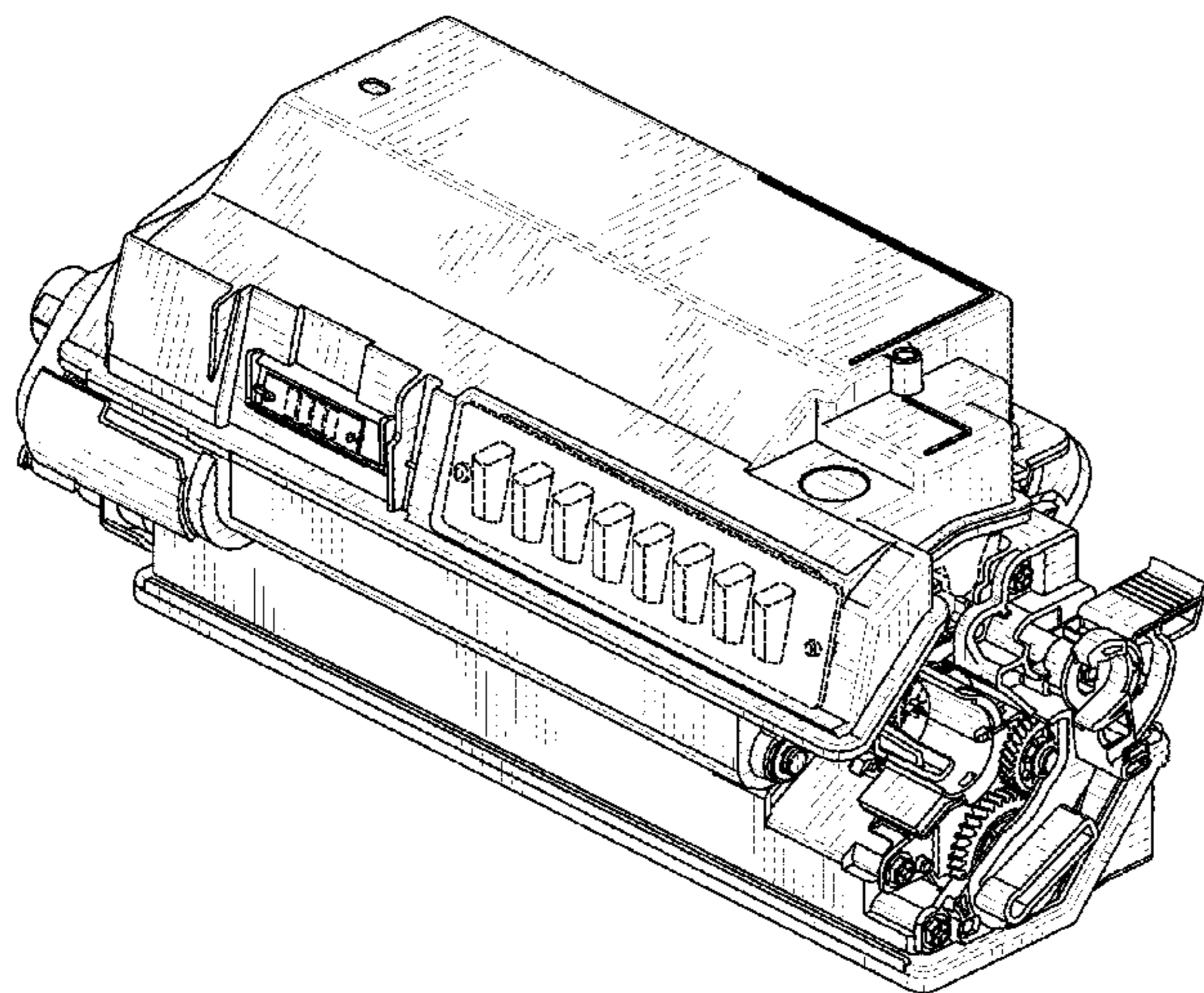
The broken lines immediately adjacent to the shaded areas depict the bounds of the claimed design, while all other broken lines are directed to environment. The broken lines form no part of the claimed design.

(56) **References Cited**

U.S. PATENT DOCUMENTS

D296,788 S 7/1988 Schneider et al.  
5,729,795 A 3/1998 Kavolius et al.  
6,029,031 A 2/2000 Yokomori et al.  
6,904,248 B2 6/2005 Daniels

**1 Claim, 9 Drawing Sheets**



(56)

References Cited

U.S. PATENT DOCUMENTS

D653,283 S \* 1/2012 Eto ..... D18/43  
 D662,129 S \* 6/2012 Zeng ..... D18/43  
 D693,400 S \* 11/2013 Boettcher ..... D18/43  
 D709,946 S 7/2014 Sato  
 D727,411 S \* 4/2015 Moon ..... D18/43  
 D754,248 S \* 4/2016 Jang ..... D18/43  
 D755,283 S \* 5/2016 Lee ..... D18/43  
 D765,164 S \* 8/2016 Park ..... D18/43  
 D783,087 S \* 4/2017 Fukamachi ..... D18/36  
 9,902,583 B2 2/2018 Tanaka  
 D832,340 S \* 10/2018 Yang ..... D18/43  
 D833,519 S \* 11/2018 Yang ..... D18/43  
 D833,520 S \* 11/2018 Yang ..... D18/43  
 D849,131 S \* 5/2019 Shimizu ..... D18/43  
 10,303,087 B2 5/2019 Li et al.  
 10,514,632 B2 12/2019 Perez et al.  
 D879,194 S 3/2020 Kikuchi et al.  
 10,599,071 B2 3/2020 Perez et al.

2009/0003874 A1\* 1/2009 Silva ..... G03G 21/1647  
 399/109  
 2020/0125006 A1 4/2020 Matsuda et al.  
 2020/0326652 A1 10/2020 Takagi et al.

OTHER PUBLICATIONS

U.S. Office Action dated May 14, 2020 in U.S. Appl. No. 29/683,084,  
 First Named Inventor: Hiroaki Nieda (6 pages).  
 Copiertrader. Link: <https://www.copiertrader.com/genuine-konica-minolta-4053-401-tn310k-black-toner-cartridge-w-ozone-filter.html>.  
 Visited May 8, 2020. Genuine Konica Minolta 4053-401 (TN310K)  
 Black Toner Cartridge w/Ozone Filter. (Year: 2020) (3 pages).  
 New egg Business. Link: <https://www.neweggbusiness.com/product/product.aspx?item=9siv1wn8sc9282>. Visited May 8, 2020. Waste  
 Toner Container for Toshiba. (Year: 2020) (3 pages).  
 U.S. Office Action dated Oct. 28, 2020 in U.S. Appl. No. 29/683,084,  
 First Named Inventor: Hiroaki Nieda (10 pages).

\* cited by examiner

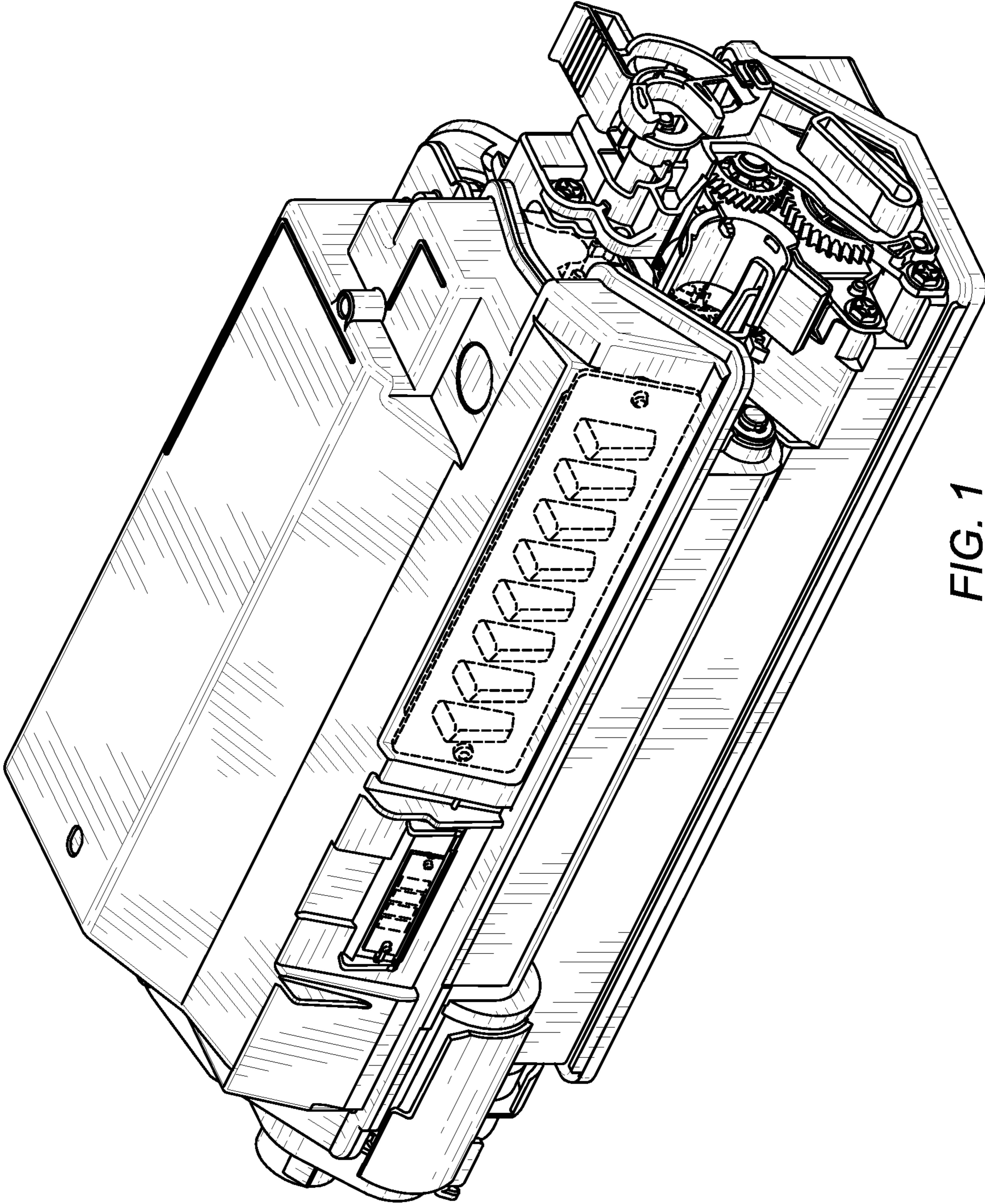


FIG. 1

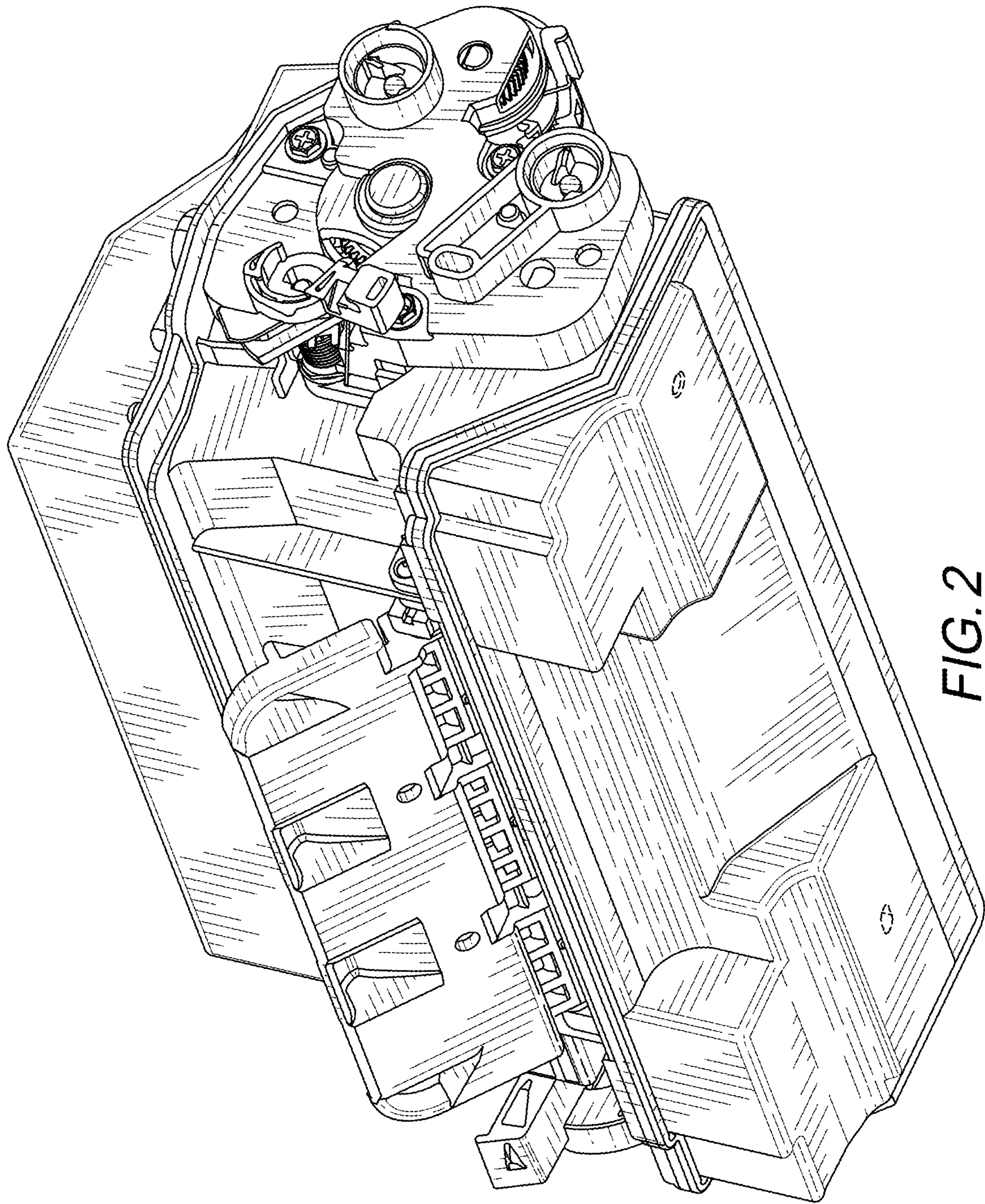


FIG. 2

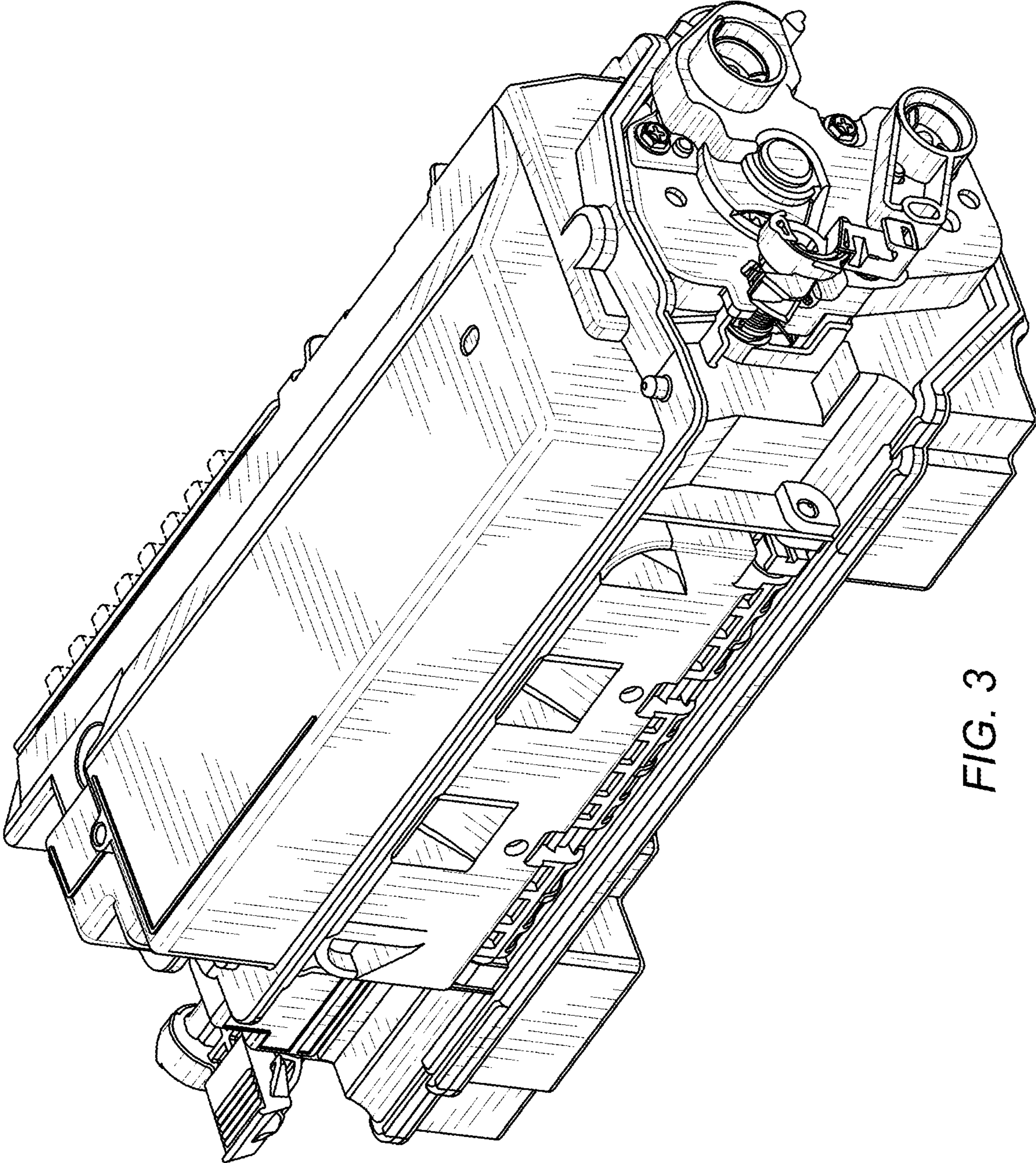


FIG. 3

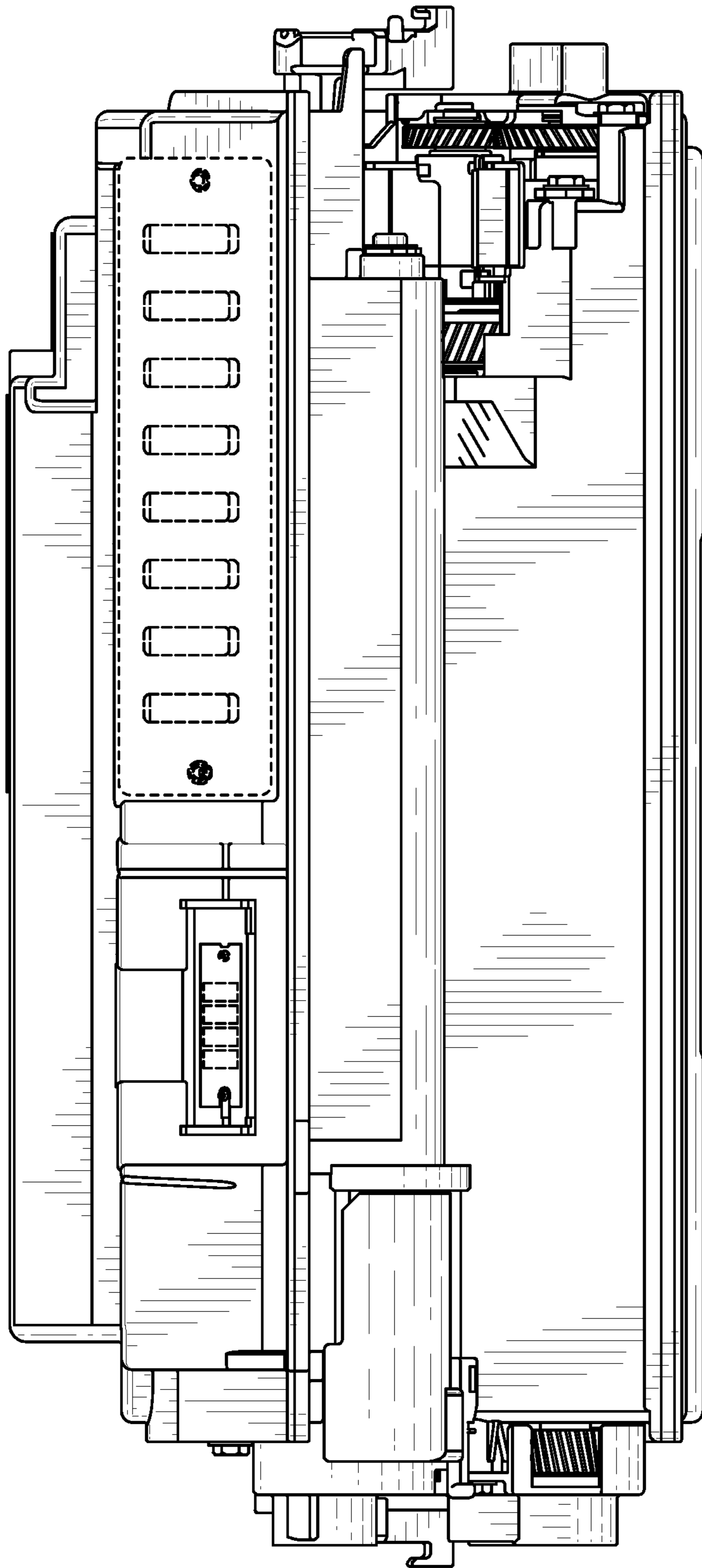


FIG. 4

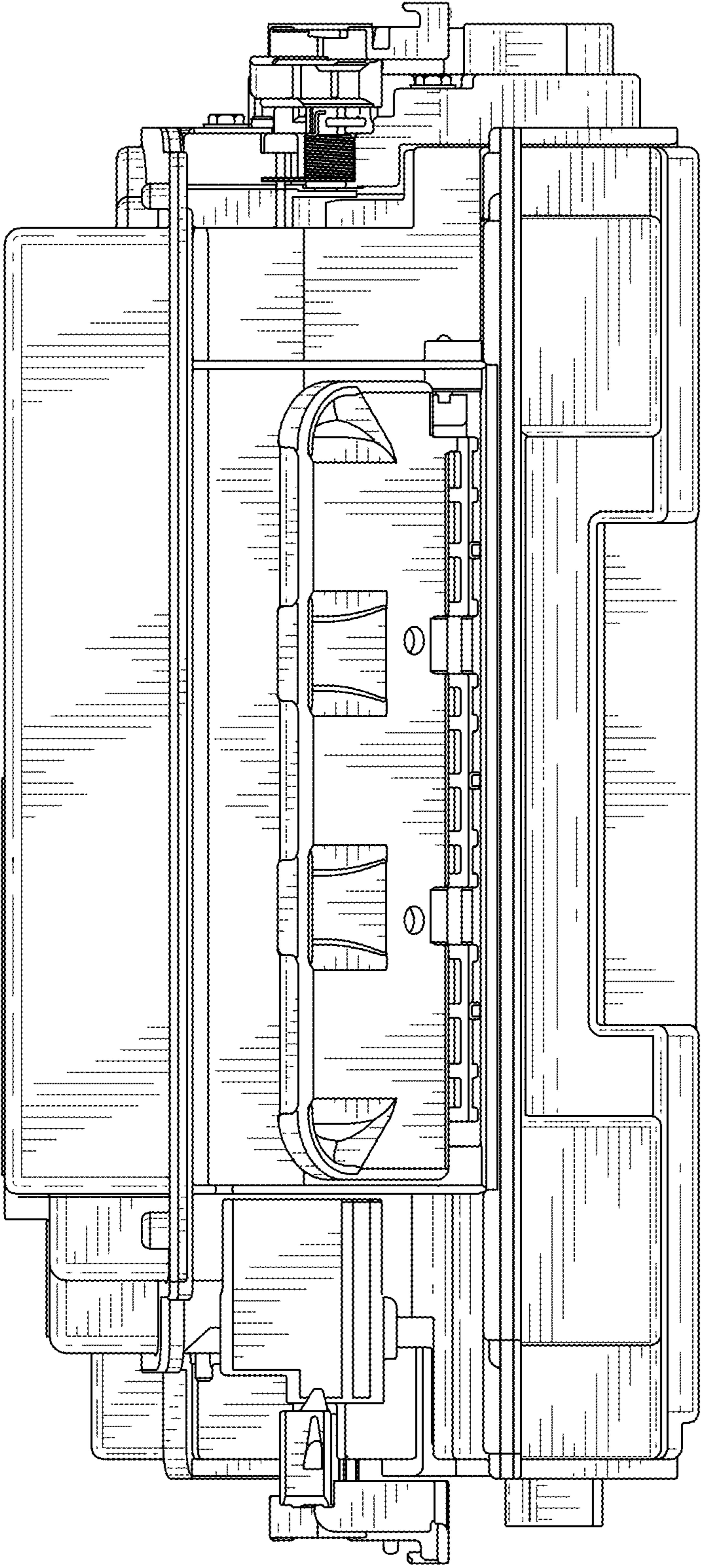


FIG. 5

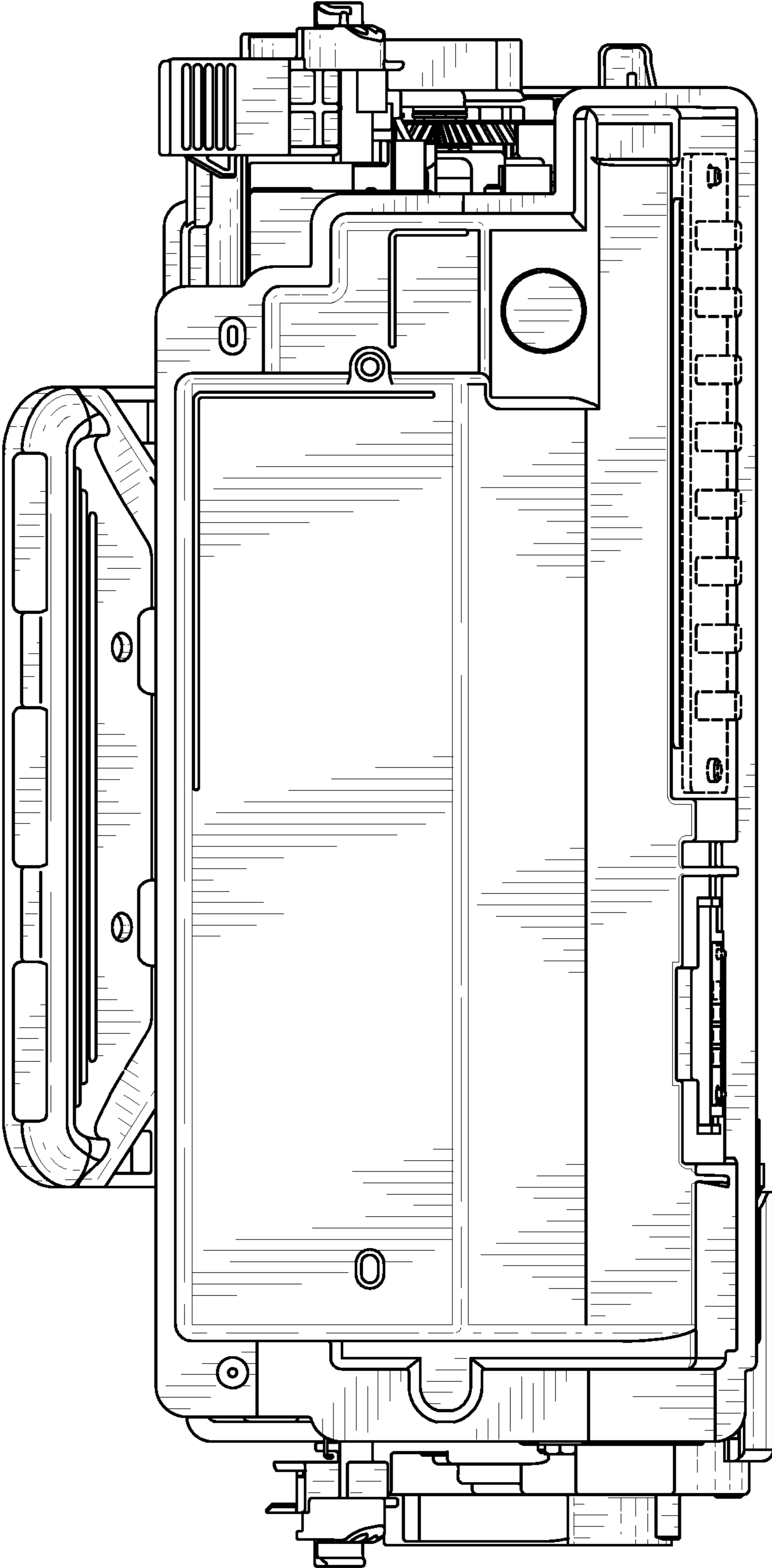


FIG. 6



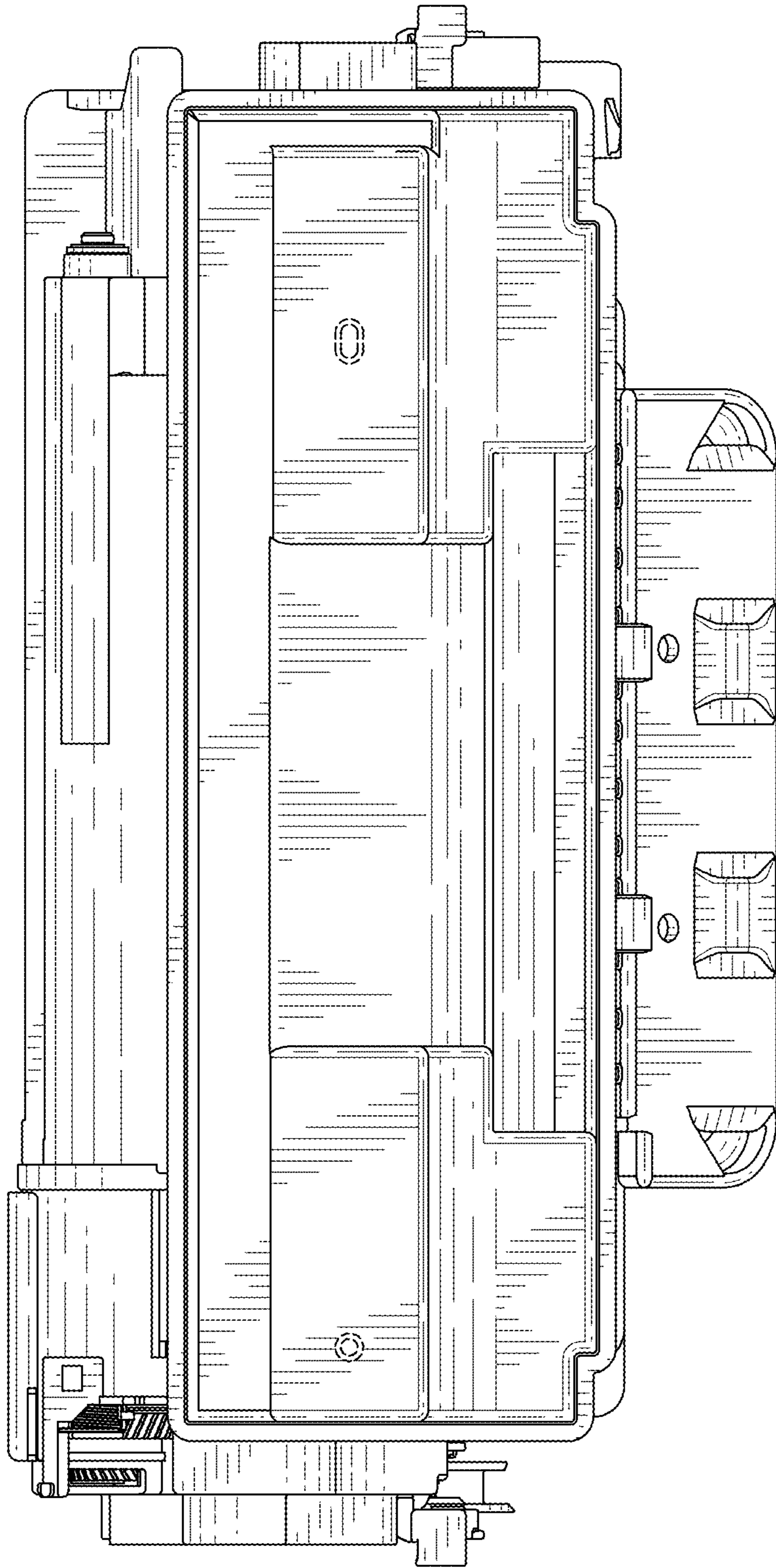


FIG. 7

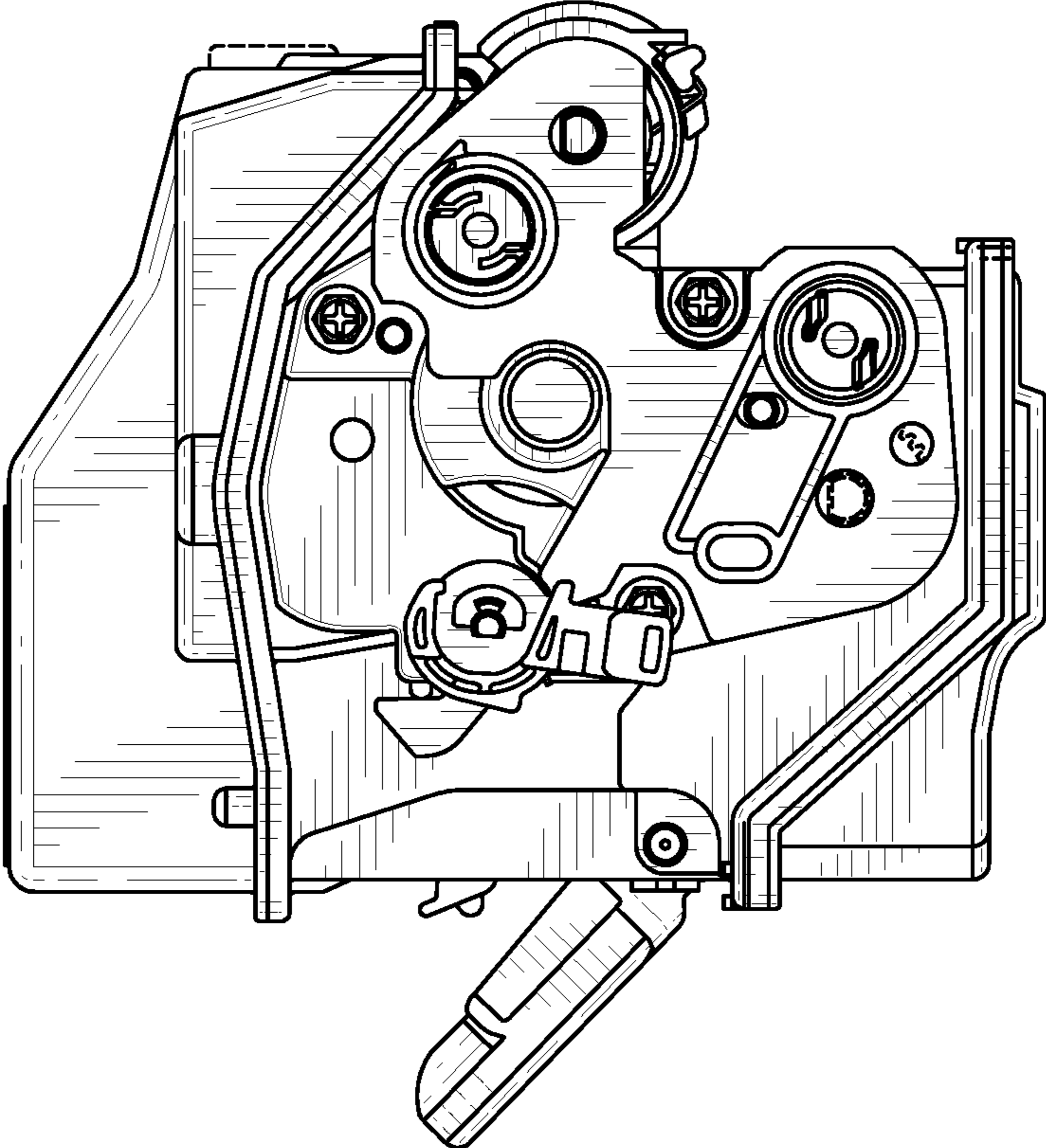


FIG. 8

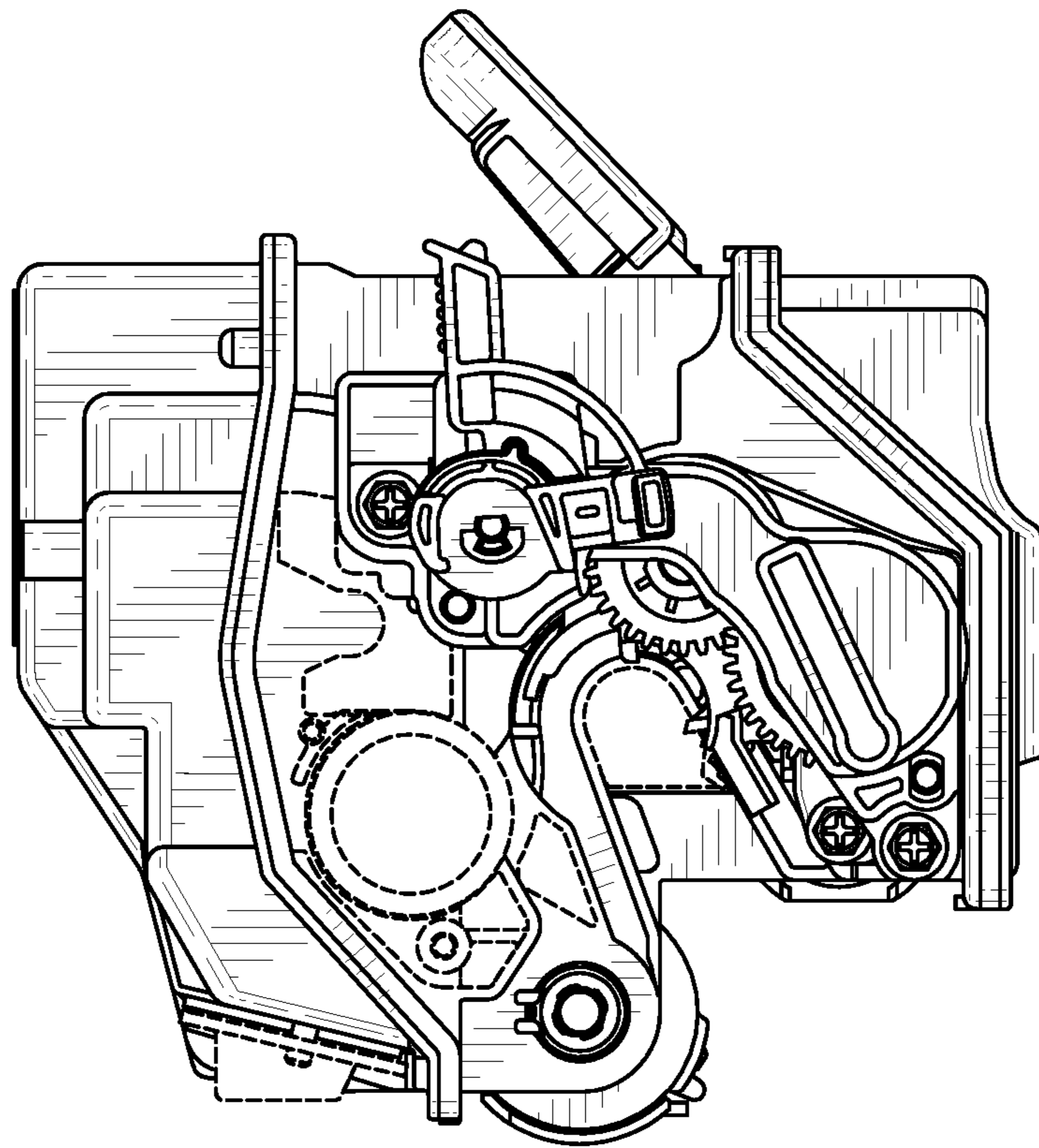


FIG. 9