



US00D924317S

(12) **United States Design Patent** (10) **Patent No.:** **US D924,317 S**  
**Laza** (45) **Date of Patent:** **\*\* Jul. 6, 2021**

(54) **HOLDER FOR POINT-OF-SALE TERMINALS**

(56) **References Cited**

(71) Applicant: **Ergonomic Solutions International Limited**, Epsom (GB)

U.S. PATENT DOCUMENTS

(72) Inventor: **Constantin Iulian Laza**, Nørresundby (DK)

D367,065 S *	2/1996	Wu	.....	D14/251
D502,498 S *	3/2005	Kida	.....	D18/18
D515,092 S *	2/2006	Wilfong	.....	D14/385
D543,580 S *	5/2007	Henry	.....	D18/4.4
D638,012 S *	5/2011	Tian	.....	D14/341
D648,374 S *	11/2011	Hidaka	.....	D18/12
D739,396 S *	9/2015	Wheatley	.....	B60R 7/06 D14/253
D829,274 S *	9/2018	Huang	.....	D18/4.6
D878,456 S *	3/2020	Frank	.....	G07D 3/00 D18/12.1
2011/0145077 A1 *	6/2011	Nochi	.....	G06Q 40/02 705/16

(\*\*) Term: **15 Years**

(21) Appl. No.: **35/508,599**

(22) Filed: **Jan. 7, 2020**

(80) **Hague Agreement Data**

Int. Filing Date: **Jan. 7, 2020**  
Int. Reg. No.: **DM/205766**  
Int. Reg. Date: **Jan. 7, 2020**  
Int. Reg. Pub. Date: **Feb. 14, 2020**

\* cited by examiner

*Primary Examiner* — George D. Kirschbaum  
*Assistant Examiner* — Samantha N Wood

(51) **LOC (13) Cl.** ..... **18-01**

(57) **CLAIM**

The ornamental design for a holder for point-of-sale terminals, as shown and described.

(52) **U.S. Cl.**

**DESCRIPTION**

USPC ..... **D18/4.4**

(58) **Field of Classification Search**

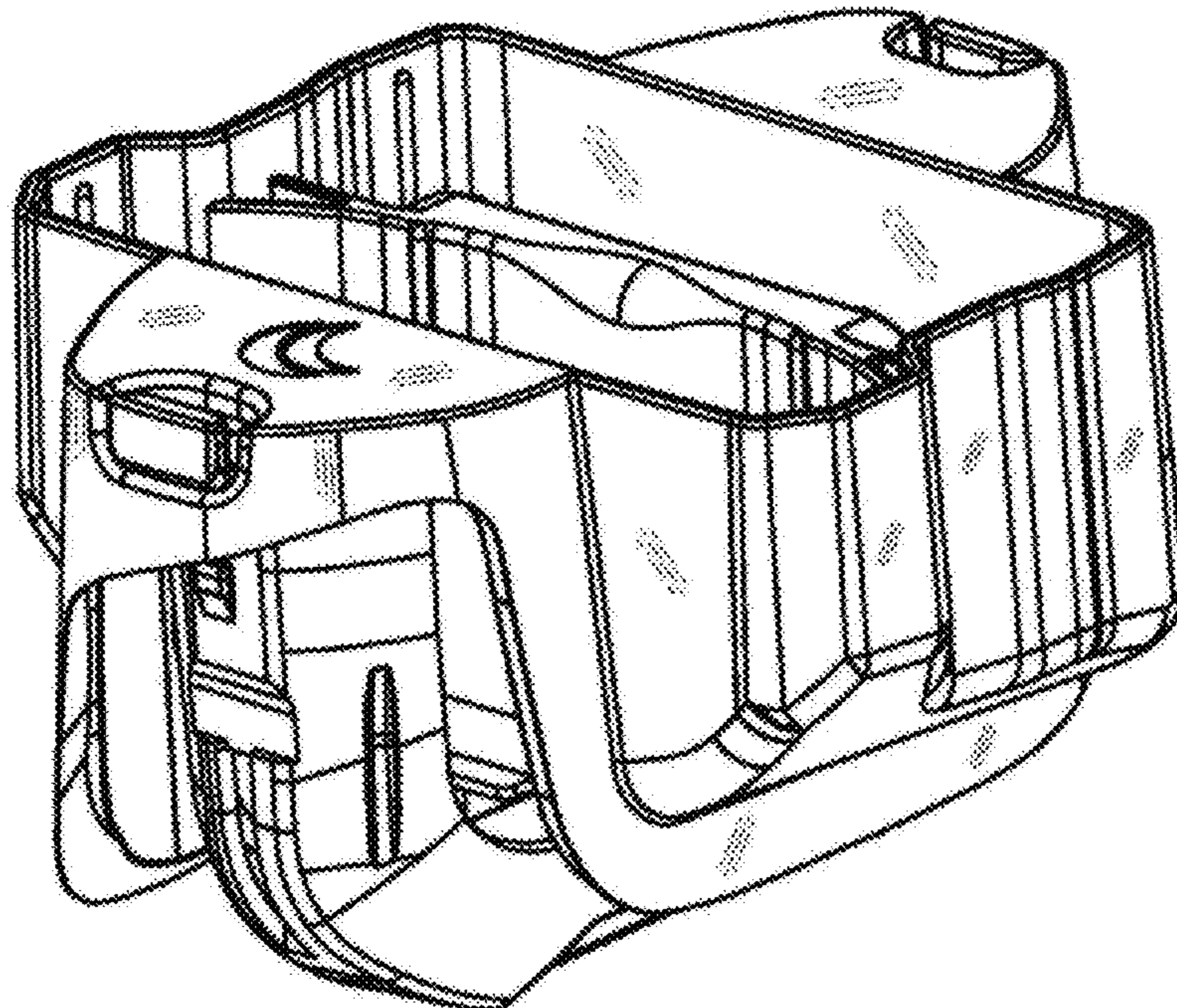
USPC ..... D18/4.4, 4.5, 4.6, 11, 12, 12.1, 12.2,  
D18/12.3, 56, 18, 14; D14/250, 251–253,  
D14/238.1, 336, 341, 385, 386, 420, 421,  
D14/447, 451  
CPC ..... G07B 7/08; G07B 7/0873; G07B 7/088;  
G07B 7/0886; G07B 7/0893; G07B  
7/1016; G07B 7/1033; G07F 19/00;  
G07G 1/00; G07G 1/12; G07G 1/0018;  
G07G 1/0027; G06Q 20/20; G06K 7/083;  
G06K 7/084; G06K 7/109

- 1. Holder for point-of-sale terminals
- 1.1 : Perspective
- 1.2 : Left
- 1.3 : Front
- 1.4 : Back
- 1.5 : Right
- 1.6 : Bottom
- 1.7 : Top

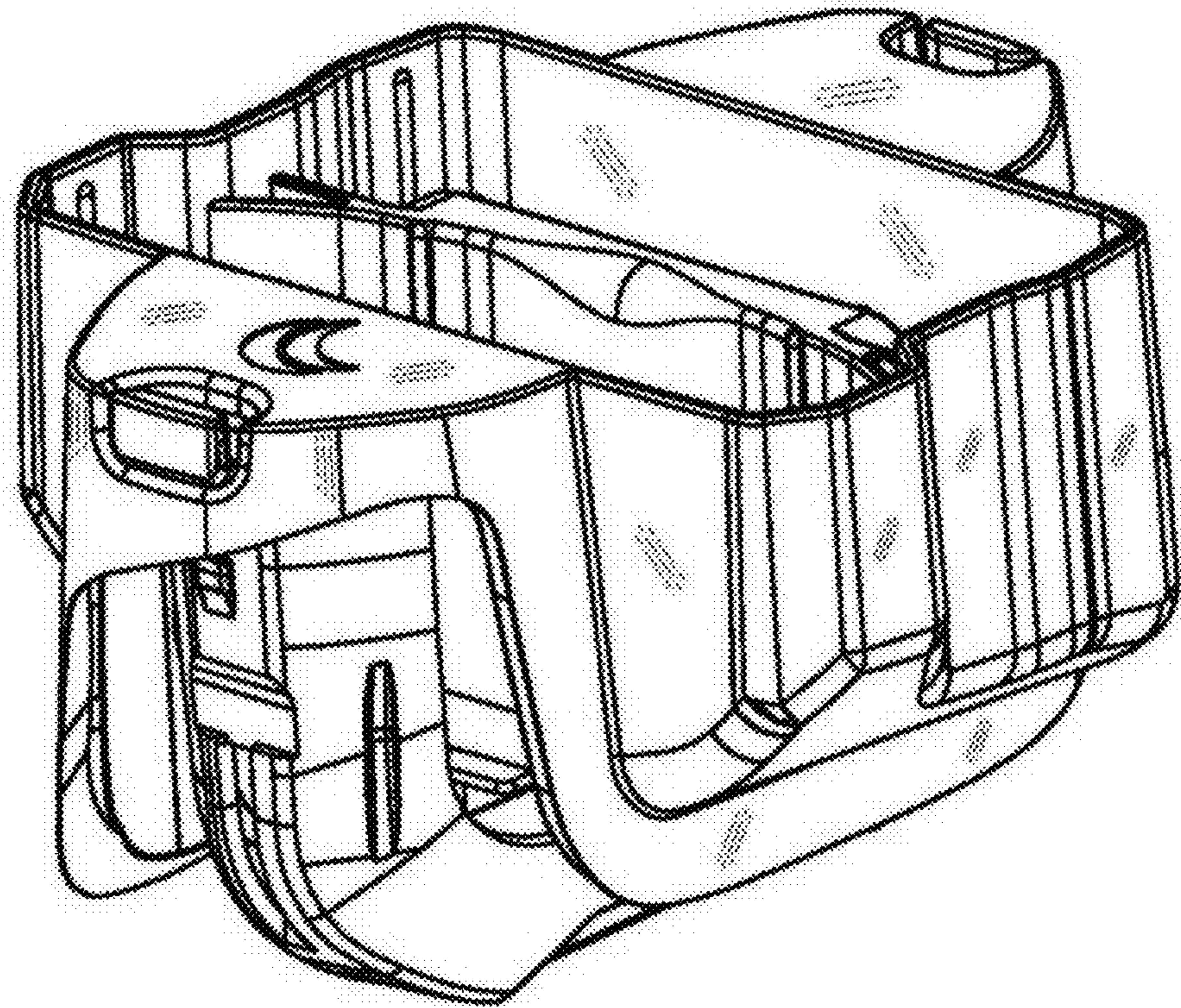
The portions of the article shown in broken lines in Figs. 1.6 and 1.7 are for the purpose of illustrating environment and form no part of the claimed design.

See application file for complete search history.

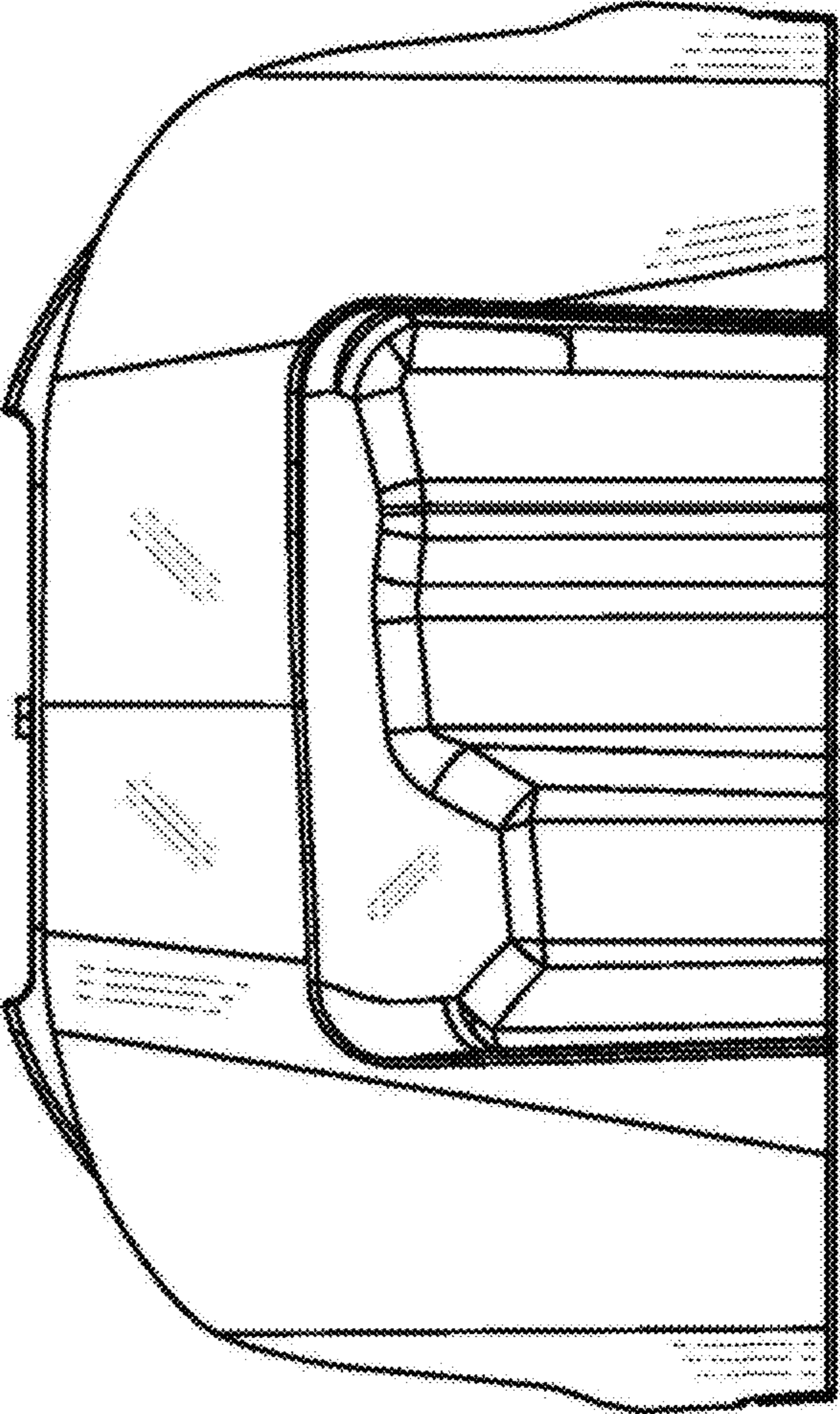
**1 Claim, 7 Drawing Sheets**



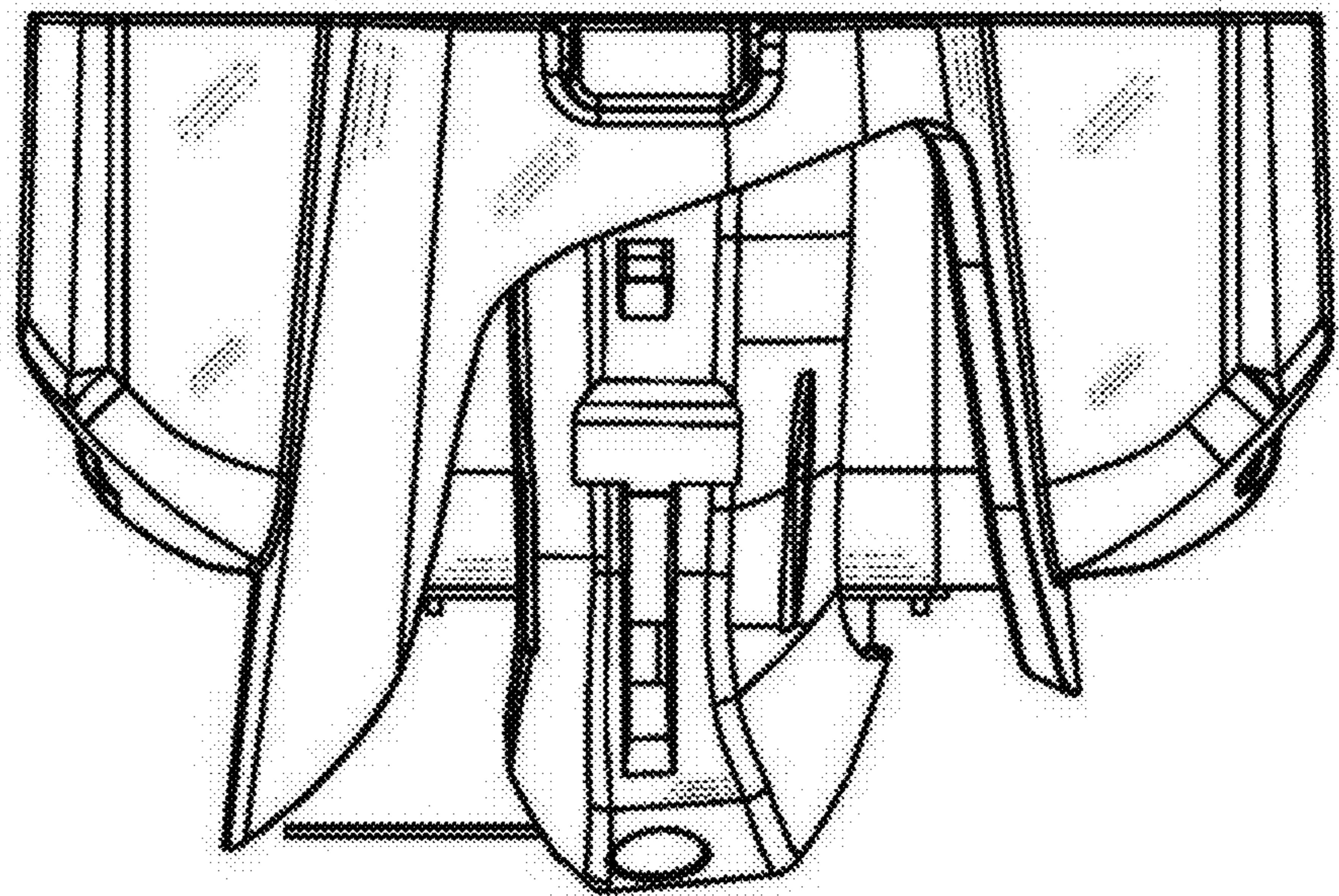
1.1



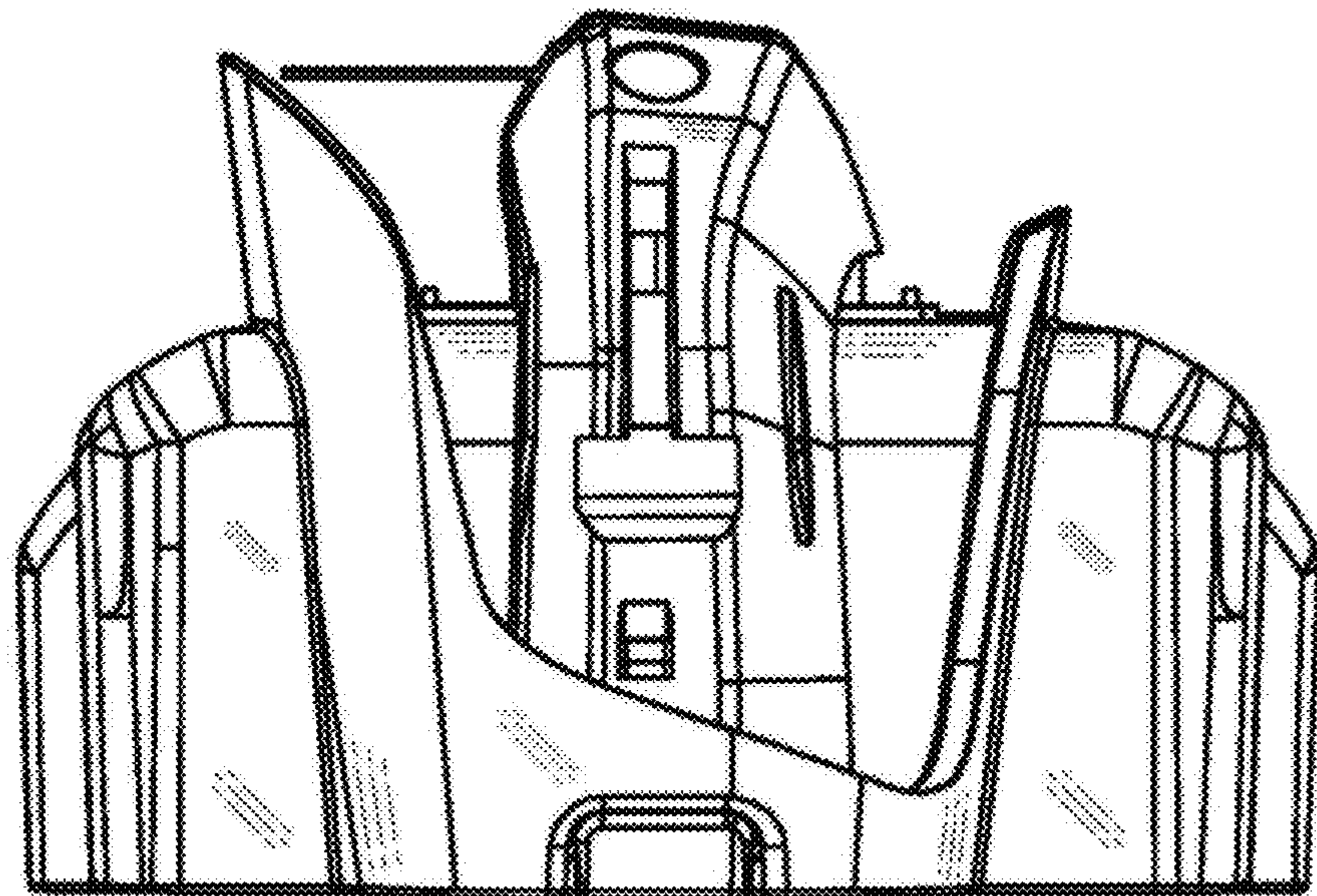
1.2



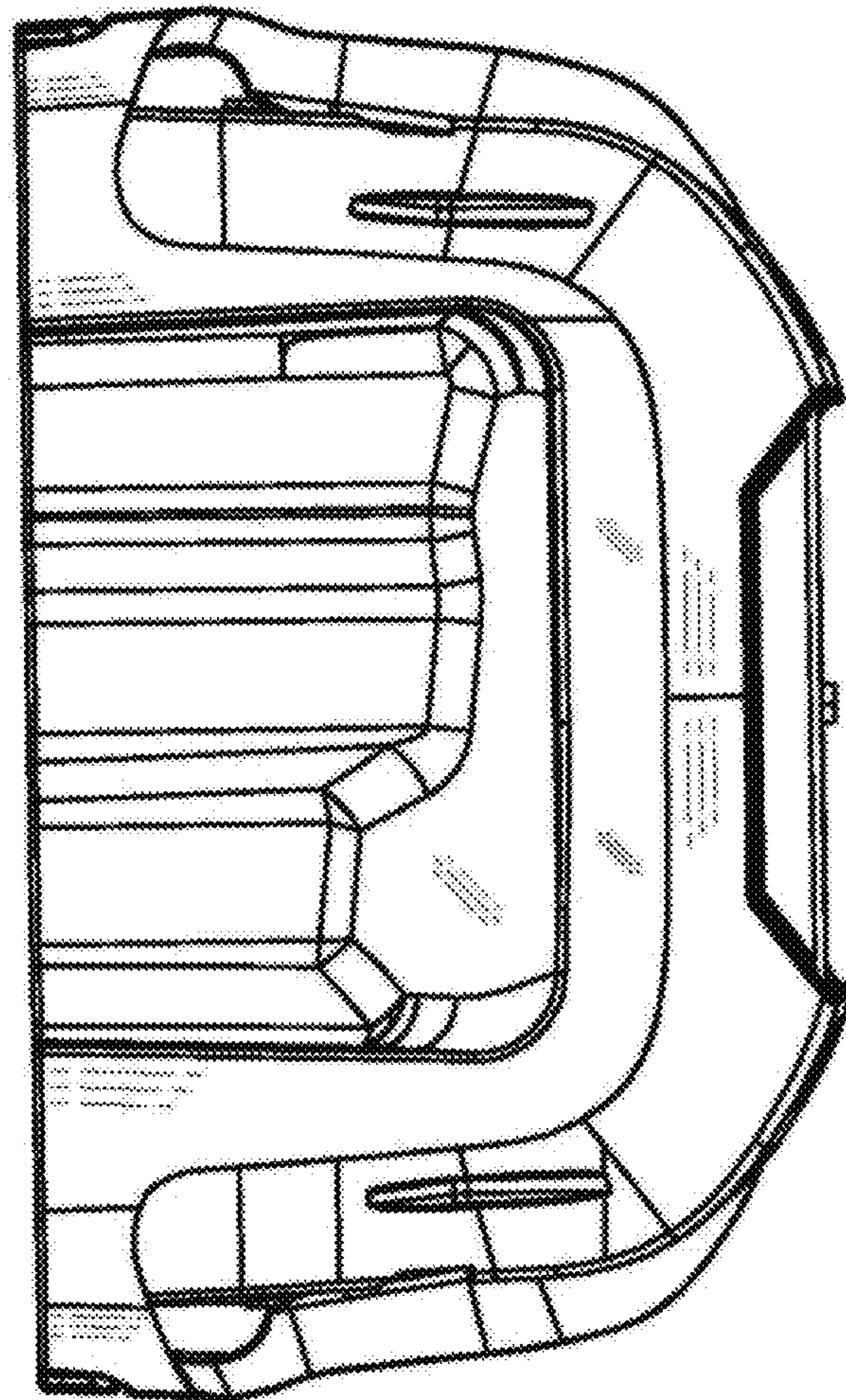
1.3



1.4



1.5



1.6

