



US00D924316S

(12) **United States Design Patent**
Laza

(10) **Patent No.:** **US D924,316 S**
(45) **Date of Patent:** **** Jul. 6, 2021**

(54) **HOLDER FOR POINT-OF-SALE TERMINALS**

(71) Applicant: **Ergonomic Solutions International Limited, Epsom (GB)**

(72) Inventor: **Constantin Iulian Laza, Nørresundby (DK)**

(**) Term: **15 Years**

(21) Appl. No.: **35/508,590**

(22) Filed: **Jan. 7, 2020**

(80) **Hague Agreement Data**

Int. Filing Date: **Jan. 7, 2020**

Int. Reg. No.: **DM/205767**

Int. Reg. Date: **Jan. 7, 2020**

Int. Reg. Pub. Date: **Feb. 14, 2020**

(51) **LOC (13) Cl.** **18-01**

(52) **U.S. Cl.**

USPC **D18/4.4**

(58) **Field of Classification Search**

USPC D18/4.4, 4.5, 4.6, 11, 12, 12.1, 12.2, D18/12.3, 56, 18, 14; D14/250, 251-253, D14/238.1, 336, 341, 385, 386, 420, 421, D14/447, 451

CPC G07B 7/08; G07B 7/0873; G07B 7/088; G07B 7/0886; G07B 7/0893; G07B 7/1016; G07B 7/1033; G07F 19/00; G07G 1/00; G07G 1/12; G07G 1/0018; G07G 1/0027; G06Q 20/20; G06K 7/083; G06K 7/084; G06K 7/109

See application file for complete search history.

(56) **References Cited**

U.S. PATENT DOCUMENTS

5,530,234 A * 6/1996 Loh G06F 15/0216
235/10
D389,814 S * 1/1998 Iwamoto D14/138 AB

D422,018 S * 3/2000 Brown D18/12
D435,042 S * 12/2000 Sun D14/253
D473,261 S * 4/2003 Ohtani D18/14
D529,943 S * 10/2006 Chiu D18/4.4
D551,699 S * 9/2007 Henry D18/14
D554,694 S * 11/2007 Slinckx D18/4.4
D562,818 S * 2/2008 Chen D14/385
D638,012 S * 5/2011 Tian D14/341
D642,609 S * 8/2011 Goldin D18/4.4
D716,370 S * 10/2014 Park D18/4.6
D723,031 S * 2/2015 Rawal D14/385
D729,867 S * 5/2015 Lee D18/4.6
D732,011 S * 6/2015 Stevinson D14/250
D768,767 S * 10/2016 Demange D18/4.4
D791,223 S * 7/2017 Blanc D18/4.6
D809,589 S * 2/2018 Chatterton H04M 1/724
D18/4.4
D878,456 S * 3/2020 Frank G07D 3/00
D18/12.1
2009/0218402 A1 * 9/2009 Hodges G06K 7/084
235/449

* cited by examiner

Primary Examiner — George D. Kirschbaum

Assistant Examiner — Samantha N Wood

(57) **CLAIM**

The ornamental design for a holder for point-of-sale terminals, as shown and described.

DESCRIPTION

1. Holder for point-of-sale terminals

1.1 : Perspective

1.2 : Left

1.3 : Top

1.4 : Bottom

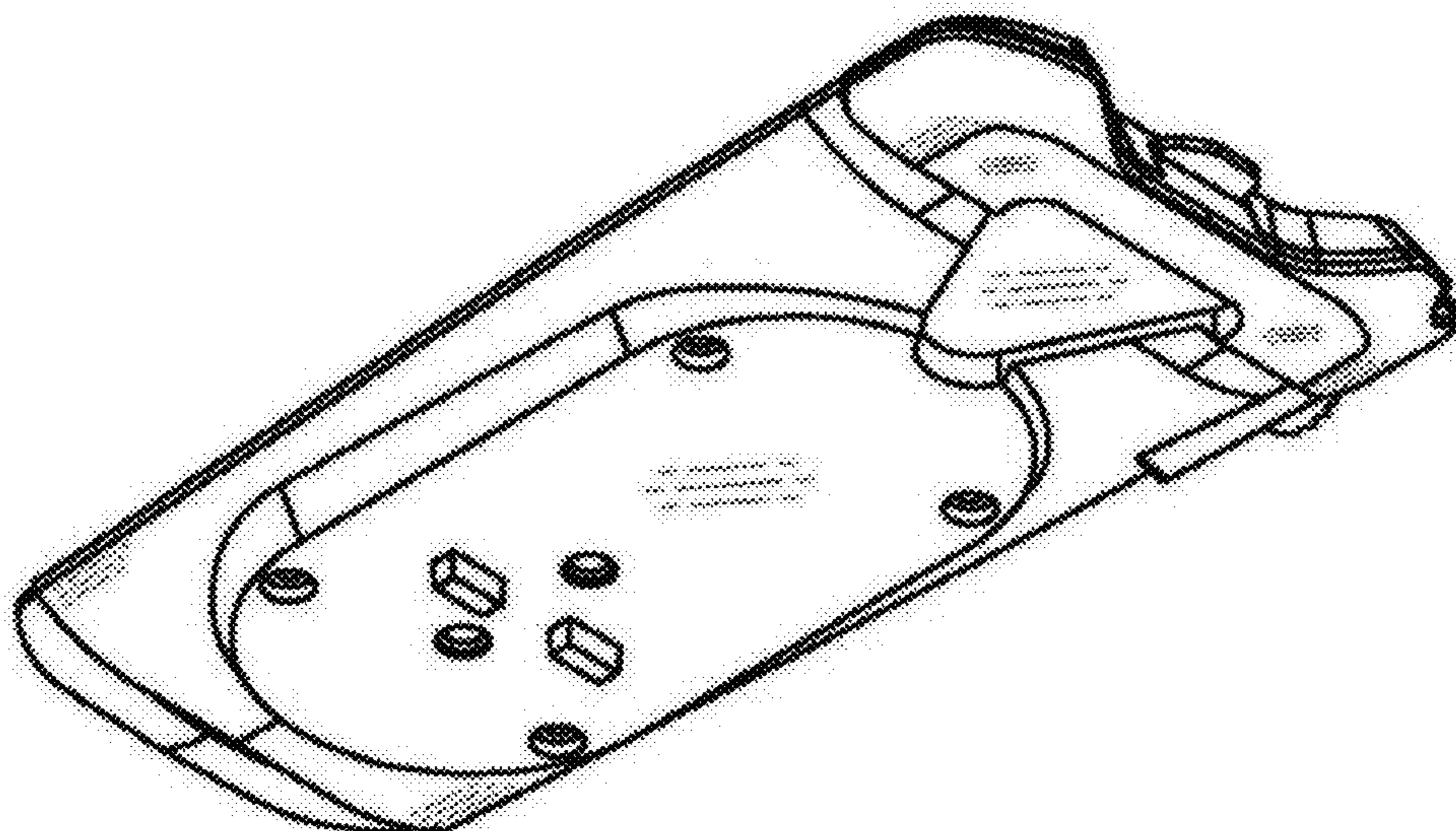
1.5 : Back

1.6 : Front

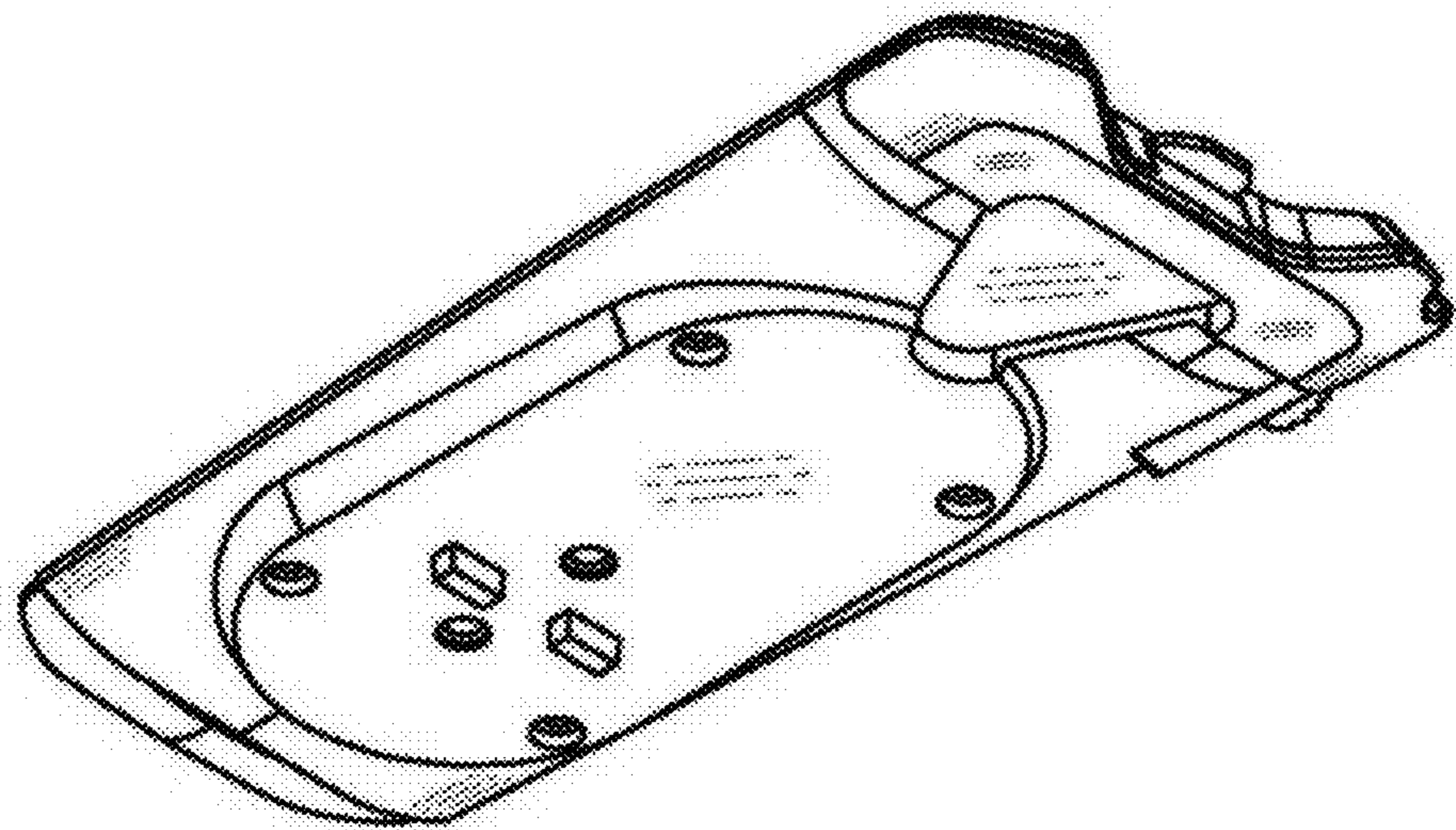
1.7 : Right

The portions of the article shown in broken lines in Fig. 1.5 are for the purpose of illustrating environment and form no part of the claimed design.

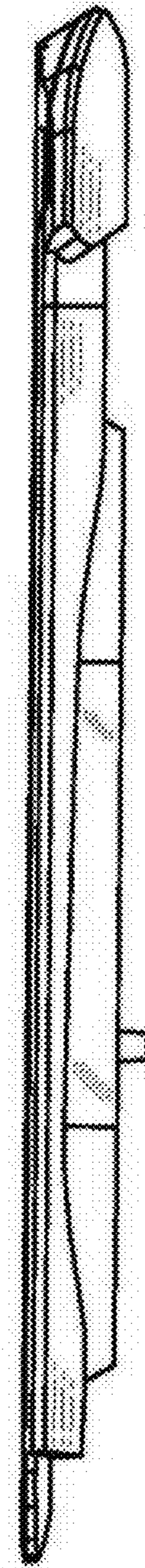
1 Claim, 7 Drawing Sheets



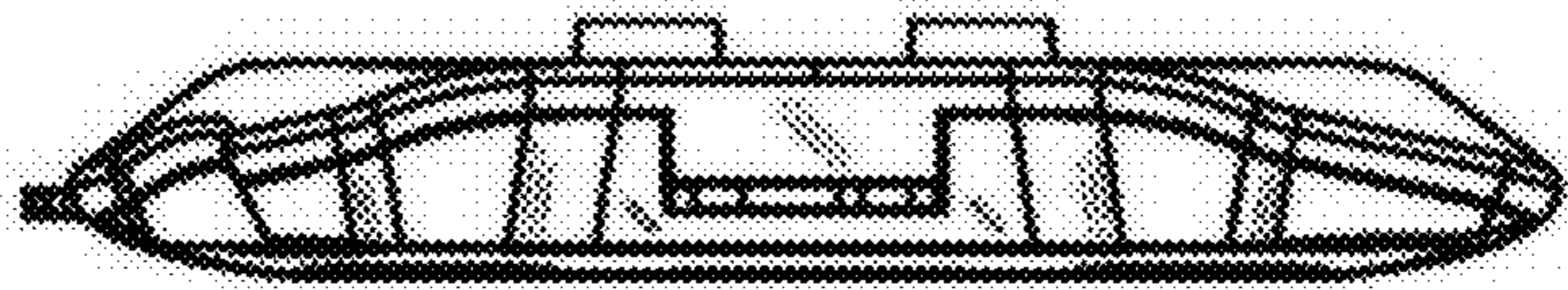
1.1



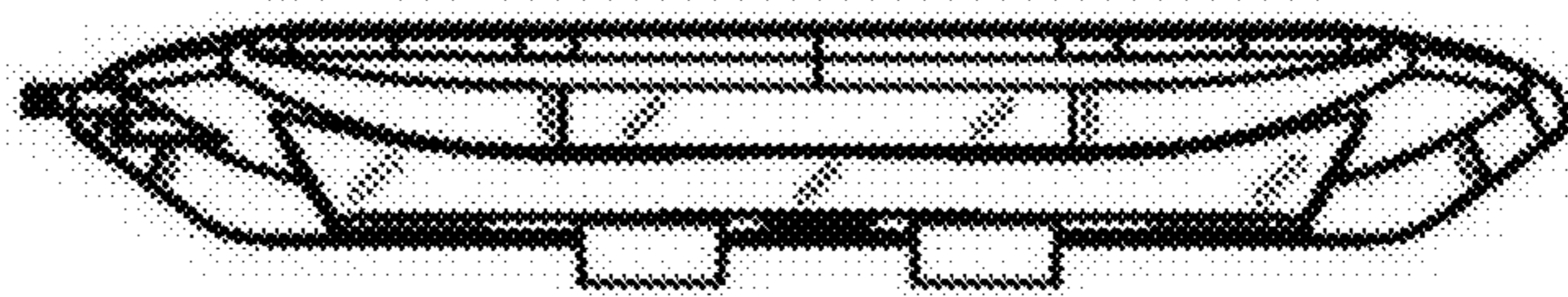
1.2



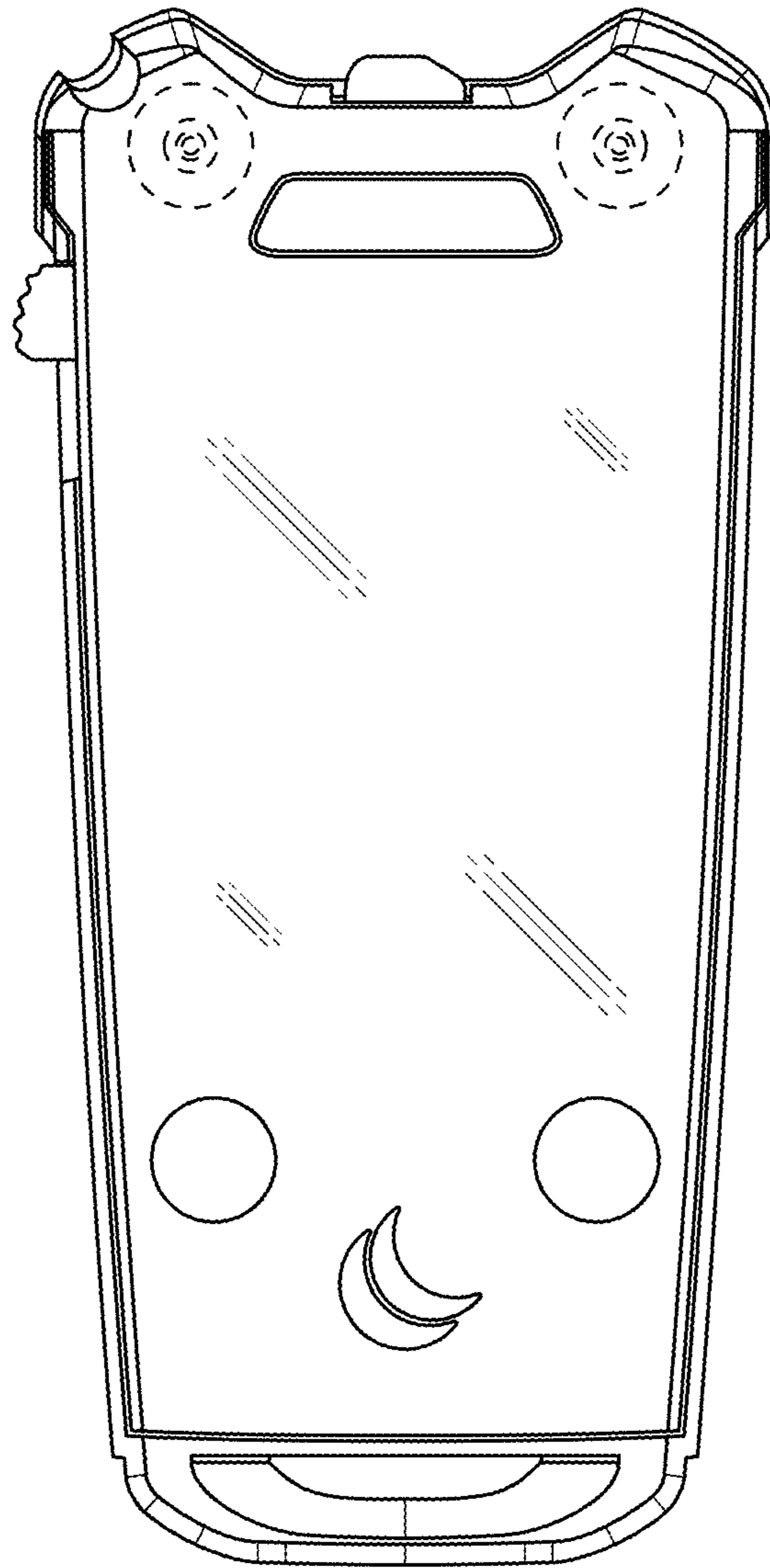
1.3



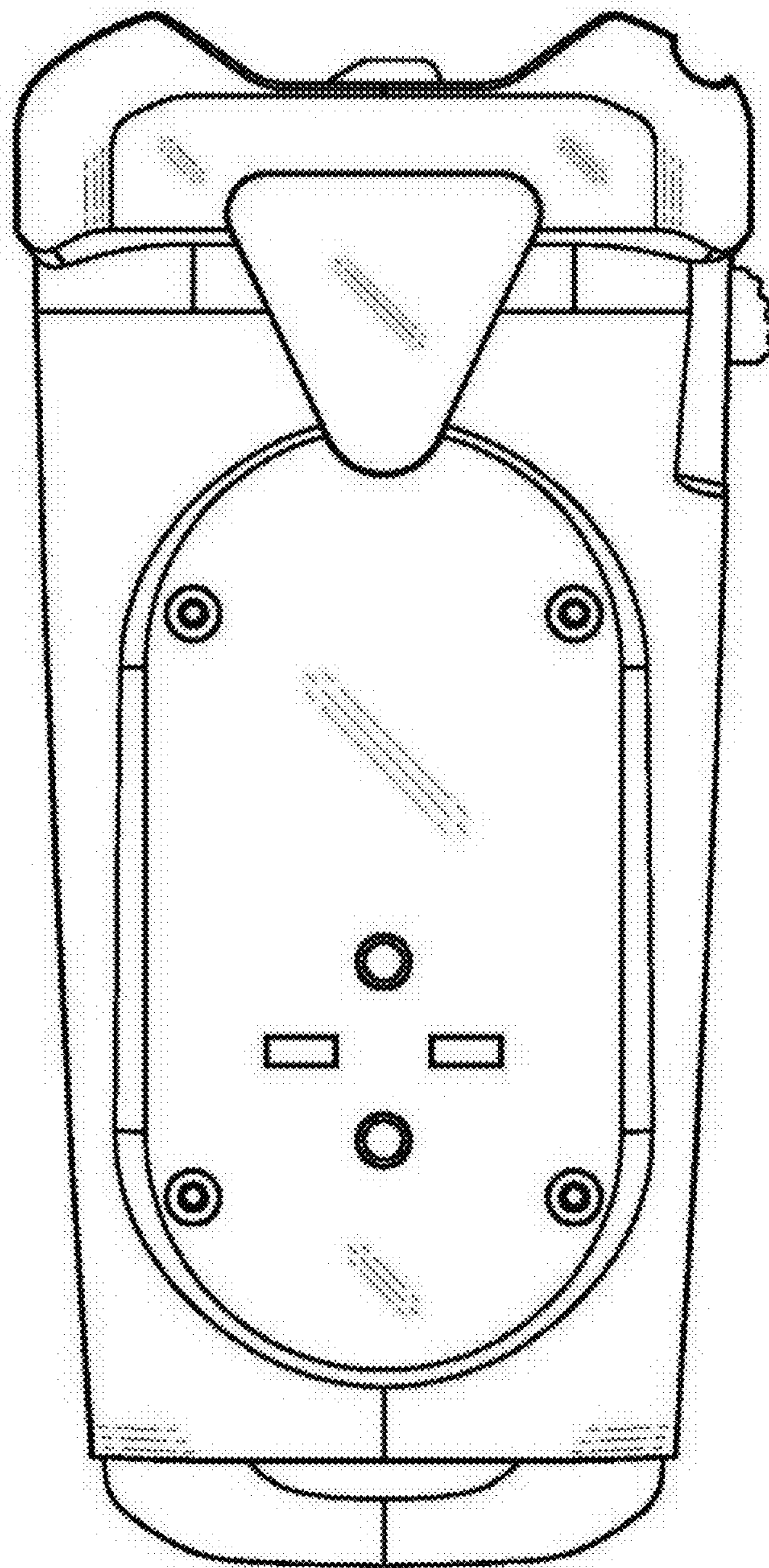
1.4



1.5



1.6



1.7

