

US00D924315S

(12) **United States Design Patent** (10) **Patent No.:** **US D924,315 S**  
**Renzi** (45) **Date of Patent:** **\*\* Jul. 6, 2021**

- (54) **REPLACEMENT HEEL PEDESTAL**
- (71) Applicant: **John Renzi**, Riverside, CA (US)
- (72) Inventor: **John Renzi**, Riverside, CA (US)
- (\*\*) Term: **15 Years**
- (21) Appl. No.: **29/675,204**
- (22) Filed: **Dec. 28, 2018**

D552,306 S \* 10/2007 Shin ..... D30/146  
 D765,957 S \* 9/2016 Dupuy ..... D2/946  
 D842,373 S \* 3/2019 Renzi ..... D17/22  
 (Continued)

**FOREIGN PATENT DOCUMENTS**

WO WO-2017127458 A1 \* 7/2017 ..... G10D 13/11

**OTHER PUBLICATIONS**

Kickstarter, Renzi—Advanced Heel Pedestal System, updated Oct. 26, 2017, [online], [visited Apr. 8, 2021]. Internet, <URL: <https://www.kickstarter.com/projects/1906370412/renzi-advanced-heel-pedestal-system-ahps/posts>> (Year: 2017).\*

(Continued)

*Primary Examiner* — Sheryl Lane  
*Assistant Examiner* — Samantha N Wood  
 (74) *Attorney, Agent, or Firm* — Kevin Schraven; Anooj Patel; Hankin Patent Law, APC

**Related U.S. Application Data**

- (60) Division of application No. 29/589,421, filed on Dec. 30, 2016, now Pat. No. Des. 842,373, which is a continuation-in-part of application No. 14/822,531, filed on Aug. 10, 2015, now abandoned.
- (51) **LOC (13) Cl.** ..... **17-99**
- (52) **U.S. Cl.**  
USPC ..... **D17/99**
- (58) **Field of Classification Search**  
USPC ..... D17/4, 9, 13, 20, 21, 22, 23, 24, 99;  
D30/146, 149; D13/158, 167, 199;  
D2/946, 947, 951, 960, 964, 965, 968;  
D21/405, 410, 409, 411, 513, 483, 516;  
D8/405  
CPC ..... G10D 13/00; G10D 13/01; G10D 13/02;  
G10D 13/03; G10D 13/06; G10D 13/065;  
G10D 13/063; G10D 13/10; G10D 13/11;  
G10D 13/24  
See application file for complete search history.

(57) **CLAIM**

The ornamental design for a replacement heel pedestal, as shown and described.

**DESCRIPTION**

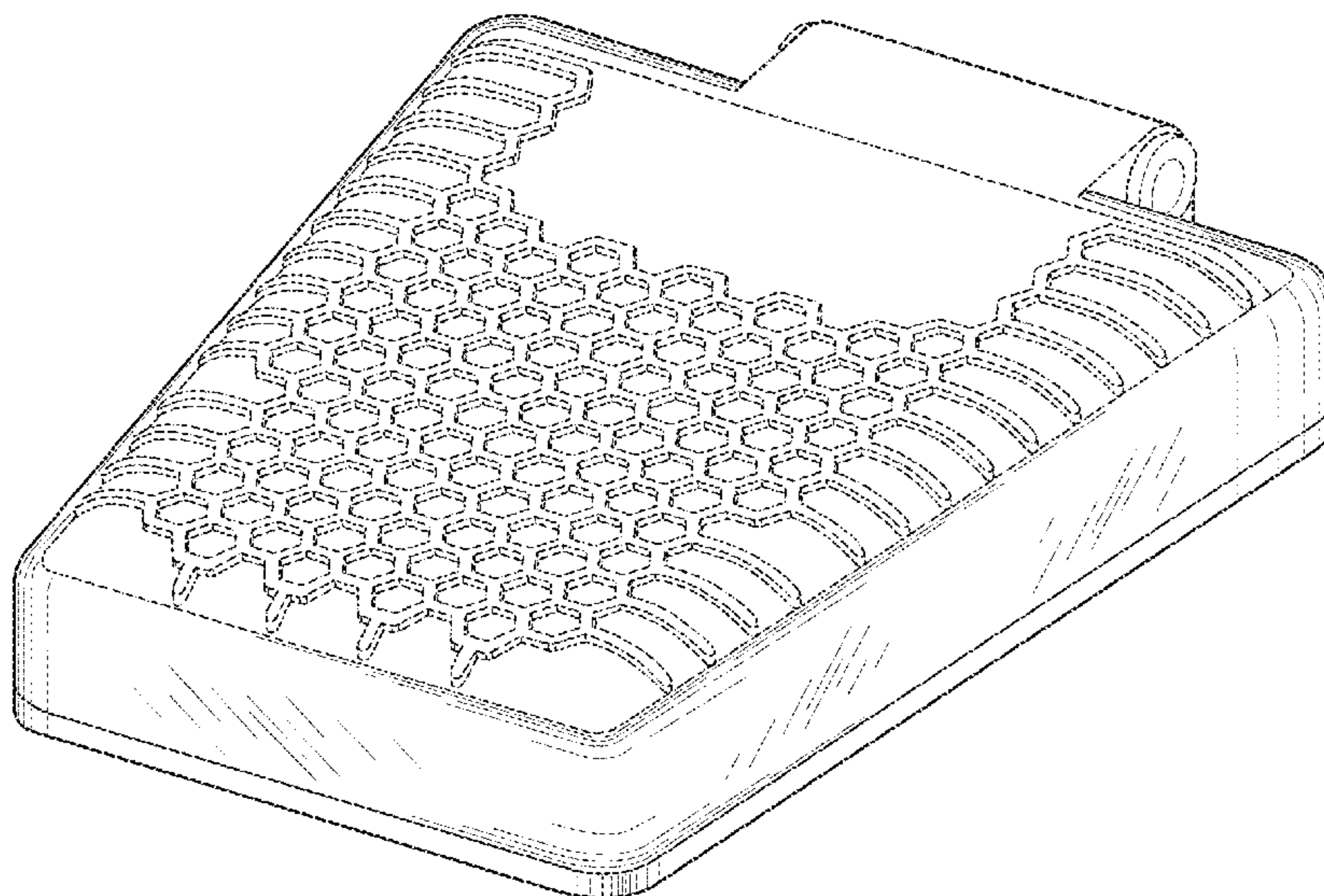
FIG. 1 is a top perspective view of the replacement heel pedestal showing my new design.  
 FIG. 2 is a bottom perspective view thereof.  
 FIG. 3 is a top plan view thereof.  
 FIG. 4 is a bottom plan view thereof  
 FIG. 5 is a left side elevational view thereof.  
 FIG. 6 is a right side elevational view thereof.  
 FIG. 7 is a rear elevational view thereof; and,  
 FIG. 8 is a front elevational view thereof.  
 The broken lines showing connectors and grip pattern are for the purpose of illustrating environmental structure and unclaimed subject matter and form no part of the claimed design.

(56) **References Cited**

**U.S. PATENT DOCUMENTS**

D32,584 S \* 4/1900 Killion ..... D30/149  
 D182,879 S \* 5/1958 De Jur ..... D13/167  
 D242,383 S \* 11/1976 Clark, Jr. .... D17/22  
 D264,147 S \* 5/1982 Heath ..... D32/54  
 6,211,449 B1 \* 4/2001 Lai ..... G10D 13/11  
 84/422.1  
 D517,499 S \* 3/2006 Pollard ..... D13/167

**1 Claim, 8 Drawing Sheets**



(56)

**References Cited**

## U.S. PATENT DOCUMENTS

2003/0154846 A1\* 8/2003 Adams ..... G10D 13/11  
84/422.1  
2005/0016320 A1\* 1/2005 Porter ..... B60T 7/06  
74/512  
2008/0173159 A1\* 7/2008 Chen ..... G10D 13/11  
84/422.1  
2014/0182445 A1\* 7/2014 Liao ..... G10D 13/11  
84/422.1  
2017/0221460 A1\* 8/2017 Reens ..... G10D 13/11  
2019/0221195 A1\* 7/2019 Renzi ..... G10D 13/11

## OTHER PUBLICATIONS

Youtube, DW 9000 Double Bass Pedal Overview, posted Mar. 25, 2010, [online], [visited Apr. 9, 2021]. Internet, <URL: <https://www.youtube.com/watch?v=3NGiqkrEHc0>> (Year: 2010).\*

Amazon, Essentials Single Bass Drum Pedal, posted Feb. 3, 2015, [online], [visited Apr. 2, 2020]. Internet, <URL: [https://www.amazon.co.uk/Essentials-Single-Pedal-Driven-Baseplate/dp/B003SQBMVE/ref=olp\\_product\\_details?ie=UTF8&me=>](https://www.amazon.co.uk/Essentials-Single-Pedal-Driven-Baseplate/dp/B003SQBMVE/ref=olp_product_details?ie=UTF8&me=>)> (Year: 2015).\*

Amazon, XDrum Pro Single Bass Drum Pedal, posted Sep. 9, 2010, [online], [visited Apr. 9, 2021]. Internet, <URL: [https://www.amazon.co.uk/XDrum-Single-Bass-Drum-Pedal/dp/B000UX0UA2/ref=psdc\\_5496214031\\_t1\\_B002KDQACW](https://www.amazon.co.uk/XDrum-Single-Bass-Drum-Pedal/dp/B000UX0UA2/ref=psdc_5496214031_t1_B002KDQACW)> (Year: 2010).\*

\* cited by examiner

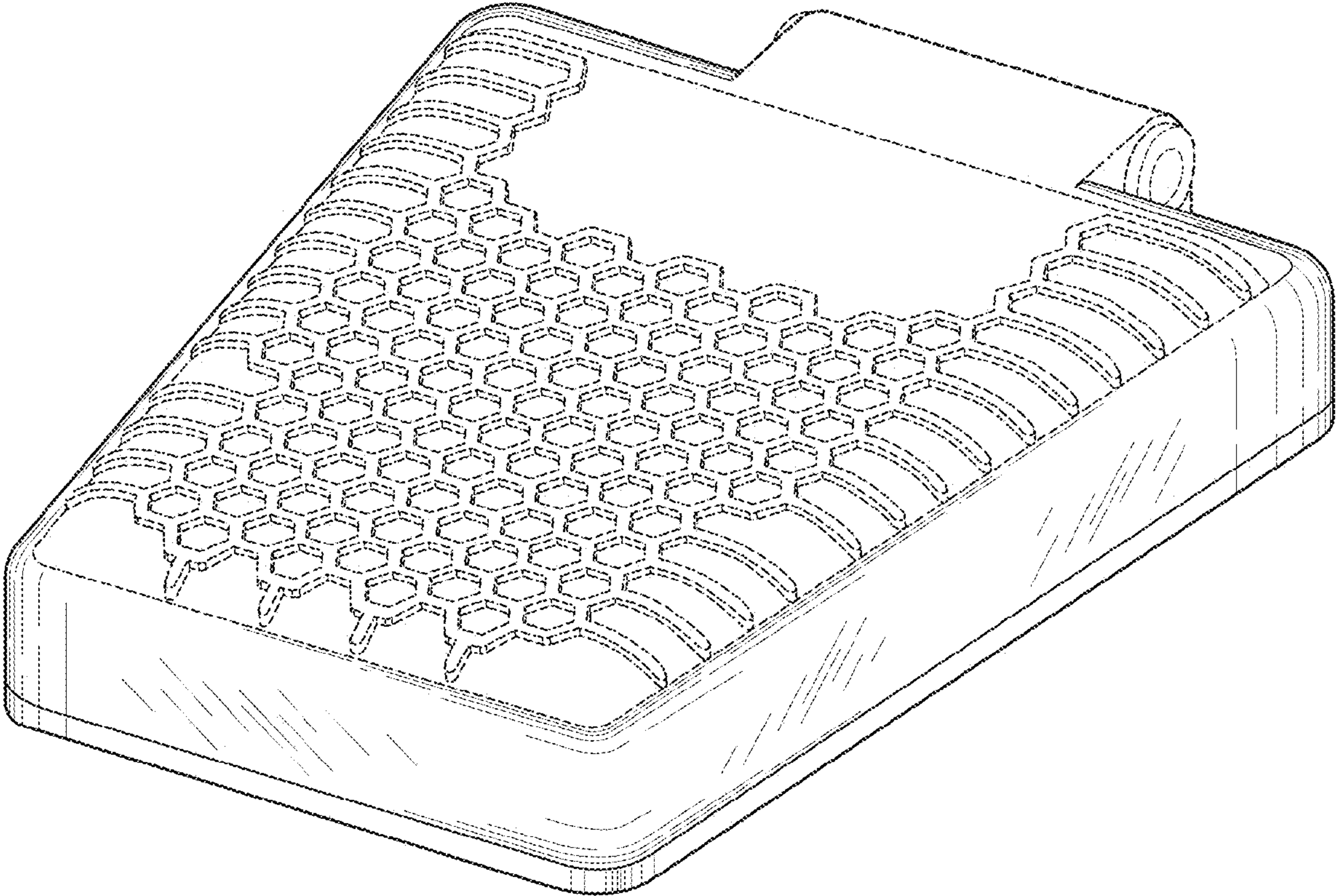


Fig. 1



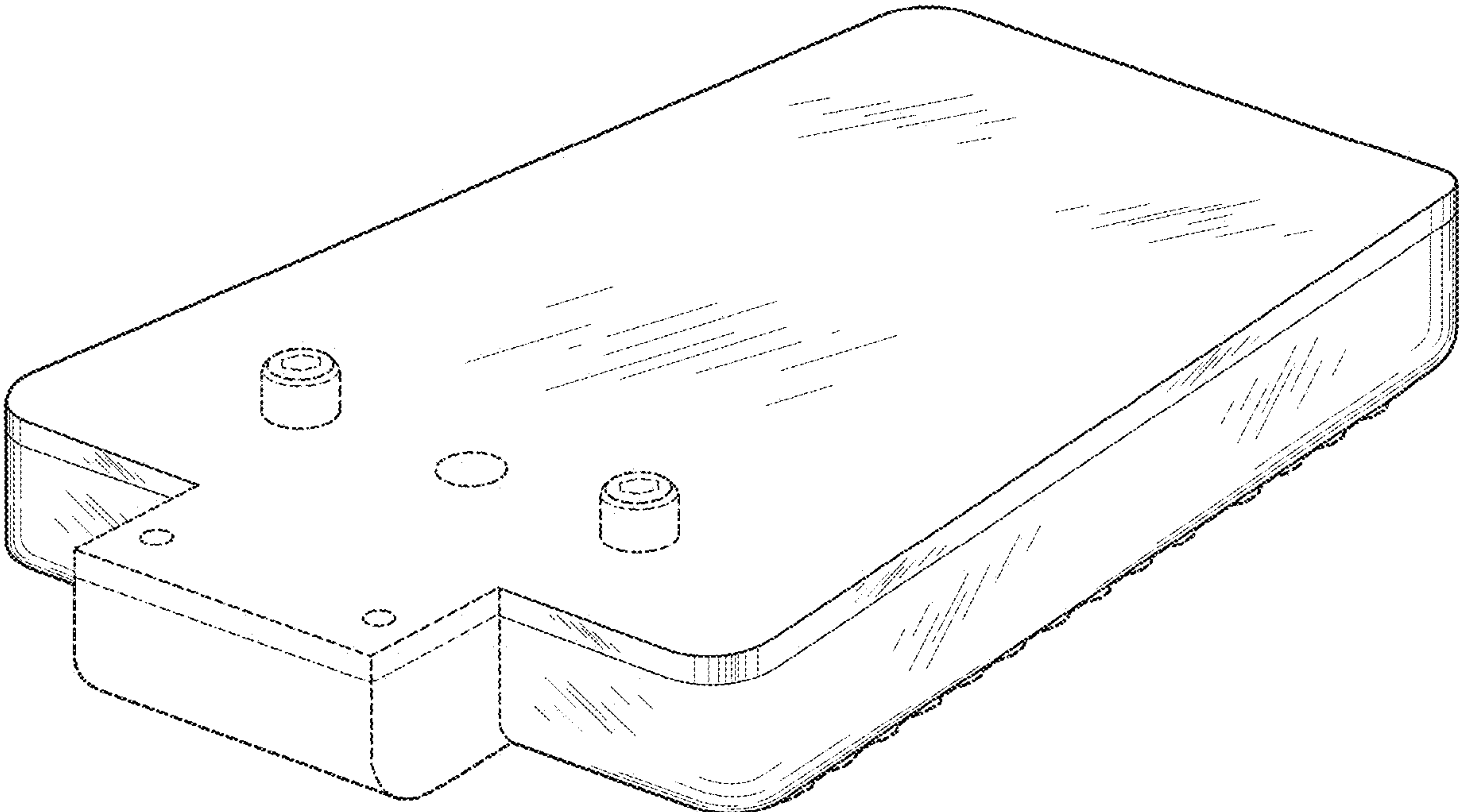


Fig.2

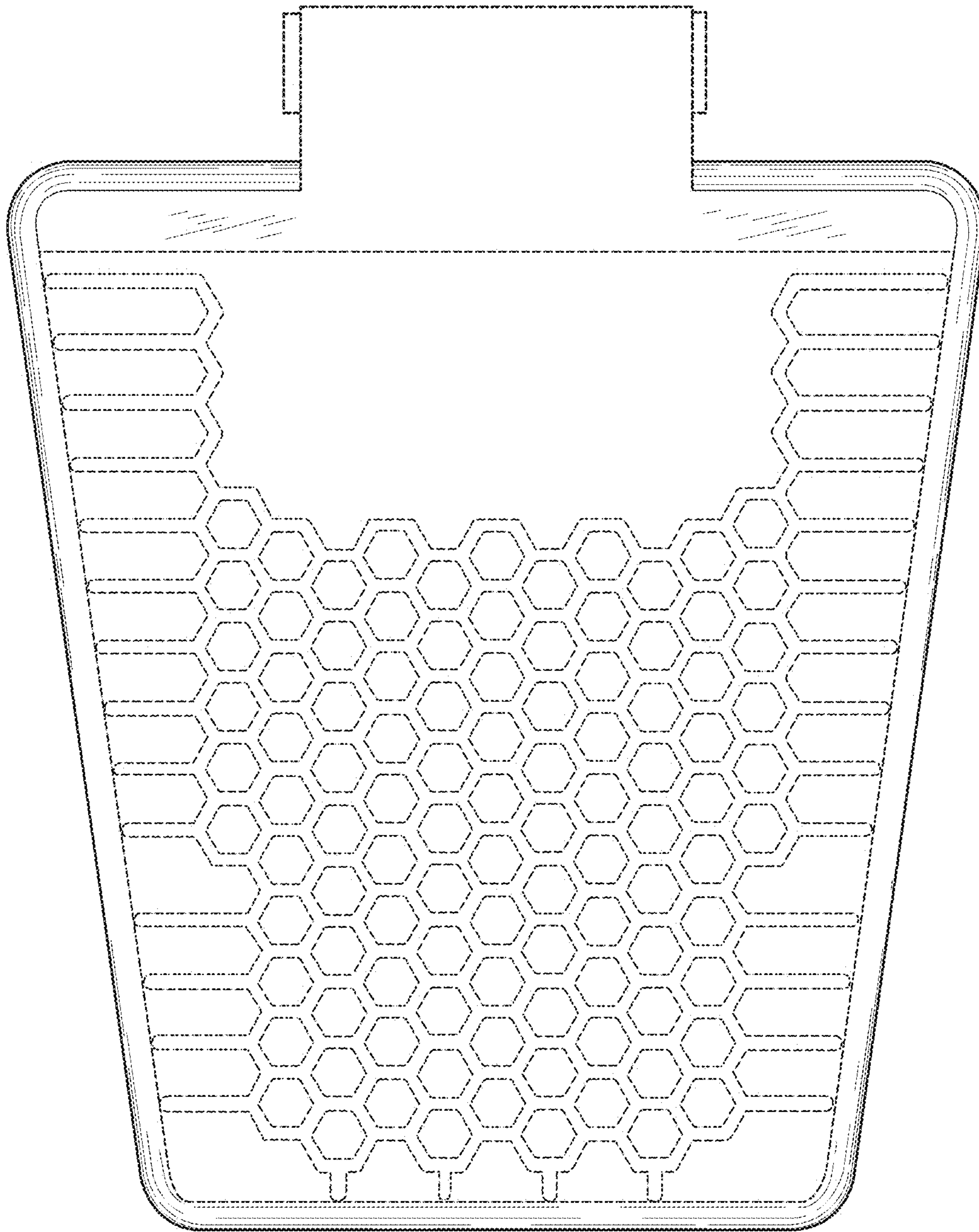


Fig.3

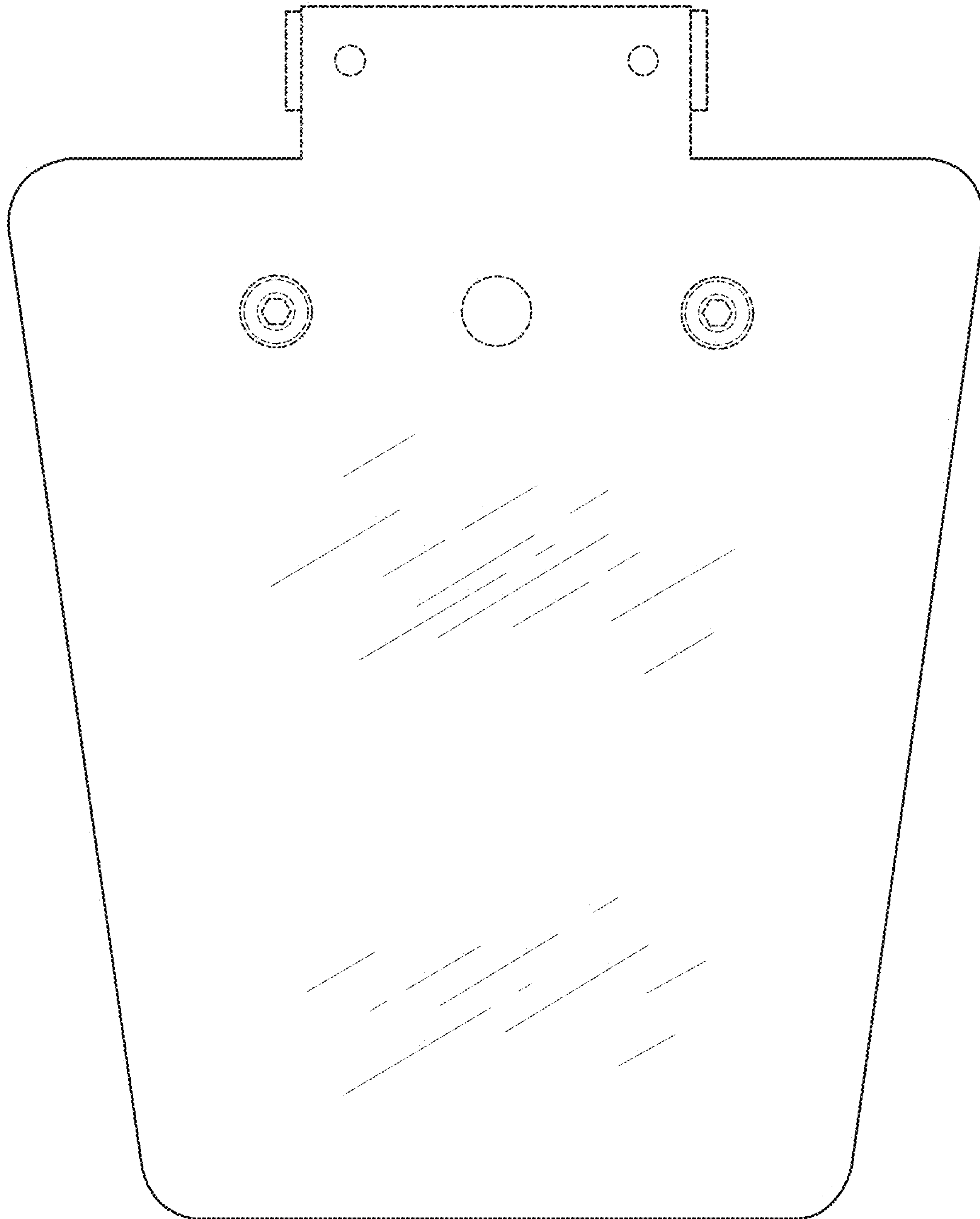


Fig.4

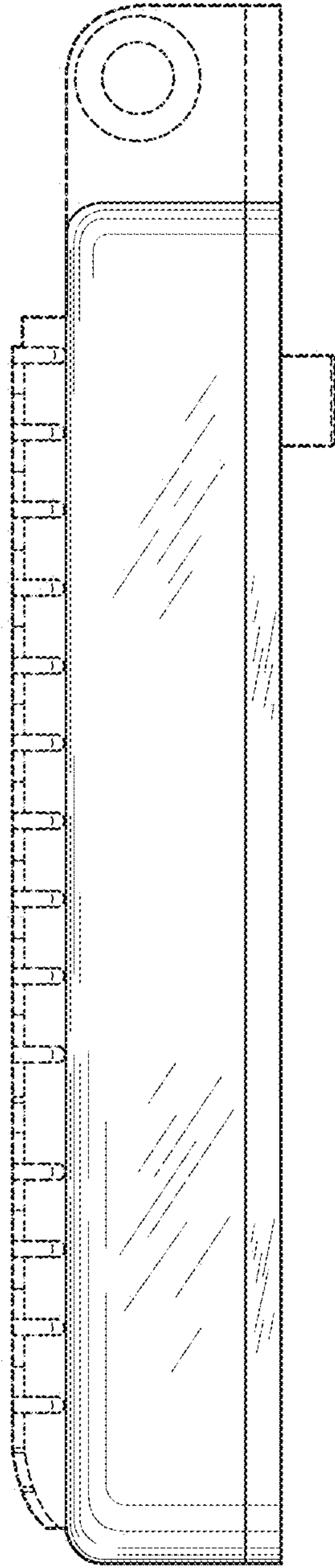


Fig. 5

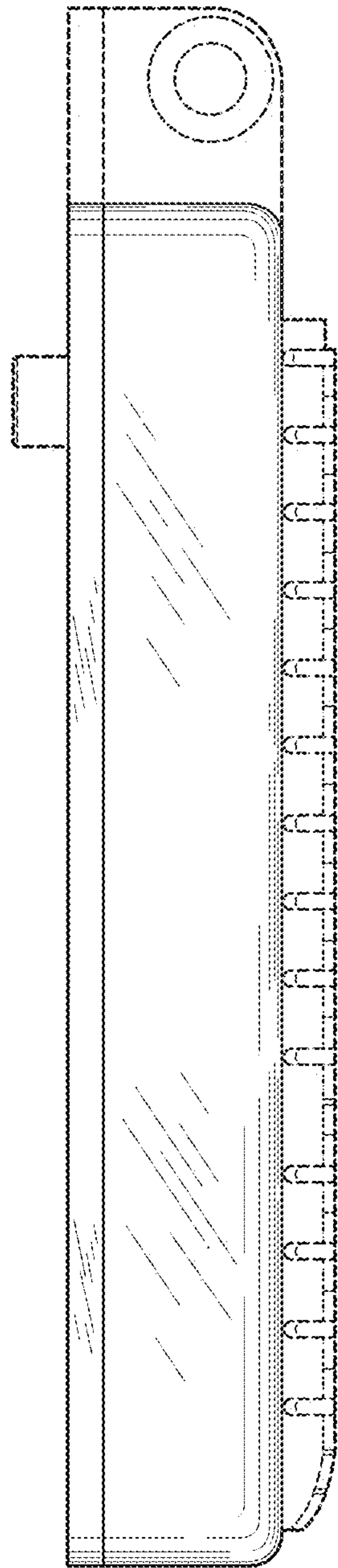


Fig.6



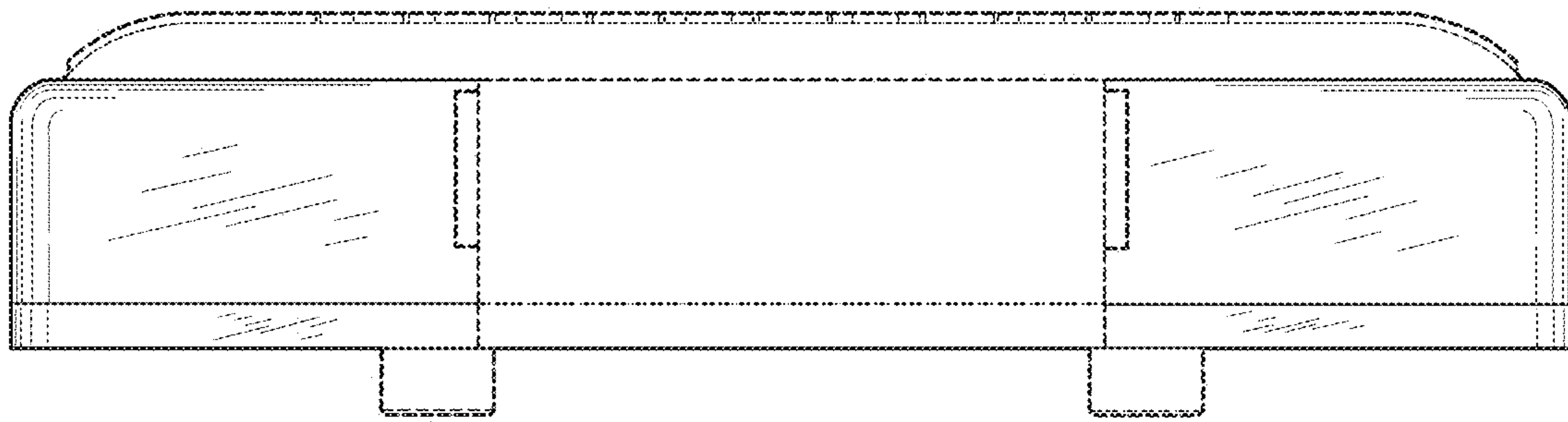


Fig. 7

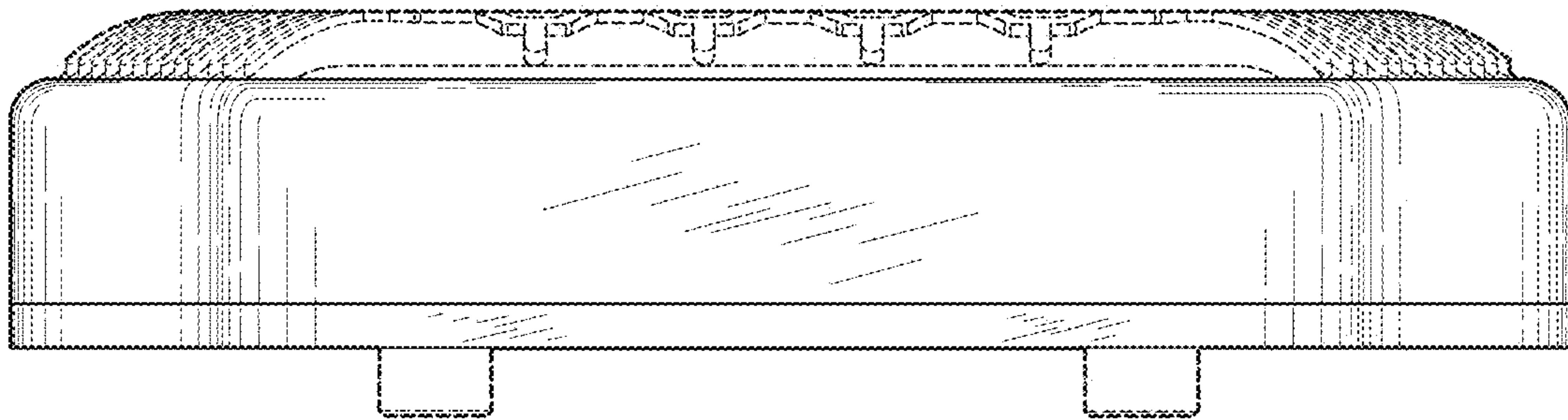


Fig.8