



US00D924313S

(12) **United States Design Patent**
Perry, Jr.

(10) **Patent No.:** **US D924,313 S**

(45) **Date of Patent:** **** Jul. 6, 2021**

(54) **ORGAN PEDAL HOLSTER**

2,998,741 A * 9/1961 Thurston G10H 1/0535
84/733

(71) Applicant: **William Perry, Jr.**, Thomasville, GA
(US)

D565,642 S * 4/2008 Ito D17/9
D574,879 S * 8/2008 Onishi D17/7

(72) Inventor: **William Perry, Jr.**, Thomasville, GA
(US)

10,147,403 B1 * 12/2018 Perry, Jr. G10B 3/14

* cited by examiner

(*) Notice: This patent is subject to a terminal disclaimer.

Primary Examiner — R. Johnson
(74) *Attorney, Agent, or Firm* — Eldredge Law Firm, LLC; Richard Eldredge; Beth Felix

(**) Term: **15 Years**

(21) Appl. No.: **29/648,882**

(57) **CLAIM**

(22) Filed: **May 24, 2018**

The ornamental design for an organ pedal holster, as shown and described.

(51) **LOC (13) Cl.** **17-01**

(52) **U.S. Cl.**
USPC **D17/9**

DESCRIPTION

(58) **Field of Classification Search**
USPC D17/1, 5, 7, 9; D21/405, 409; D14/188
CPC G10B 3/12; G10B 3/14
See application file for complete search history.

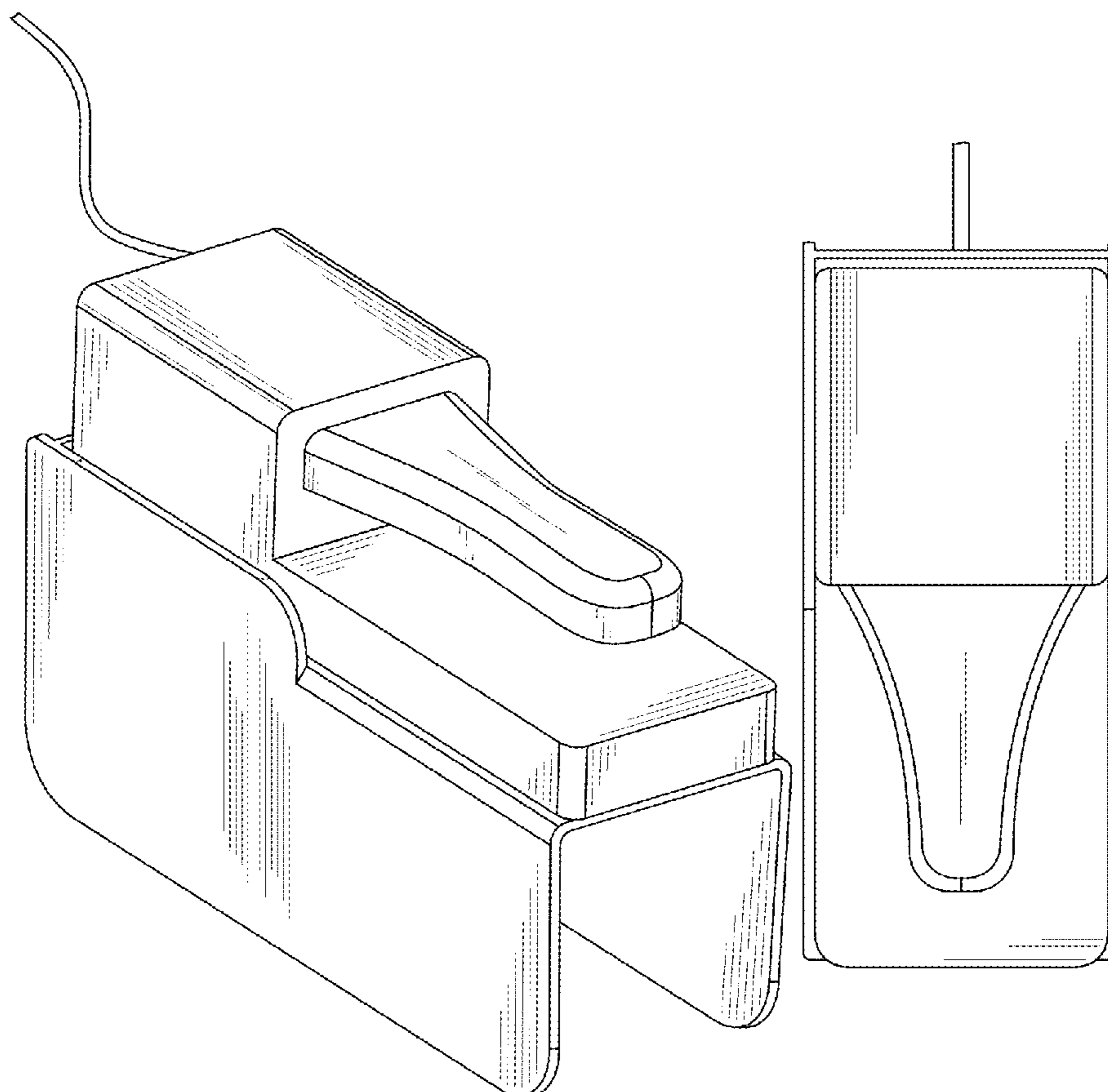
FIG. 1 is a front perspective view of an organ pedal holster according to the present application.
FIG. 2 is a front view of the organ pedal holster.
FIG. 3 is a back view of the organ pedal holster.
FIG. 4 is a left view of the organ pedal holster.
FIG. 5 is a right view of the organ pedal holster.
FIG. 6 is a top view of the organ pedal holster; and,
FIG. 7 is a bottom view of the organ pedal holster.

(56) **References Cited**

U.S. PATENT DOCUMENTS

1,208,076 A * 12/1916 Ammon G10B 3/14
84/227
D111,904 S * 10/1938 Heller D17/9

1 Claim, 5 Drawing Sheets



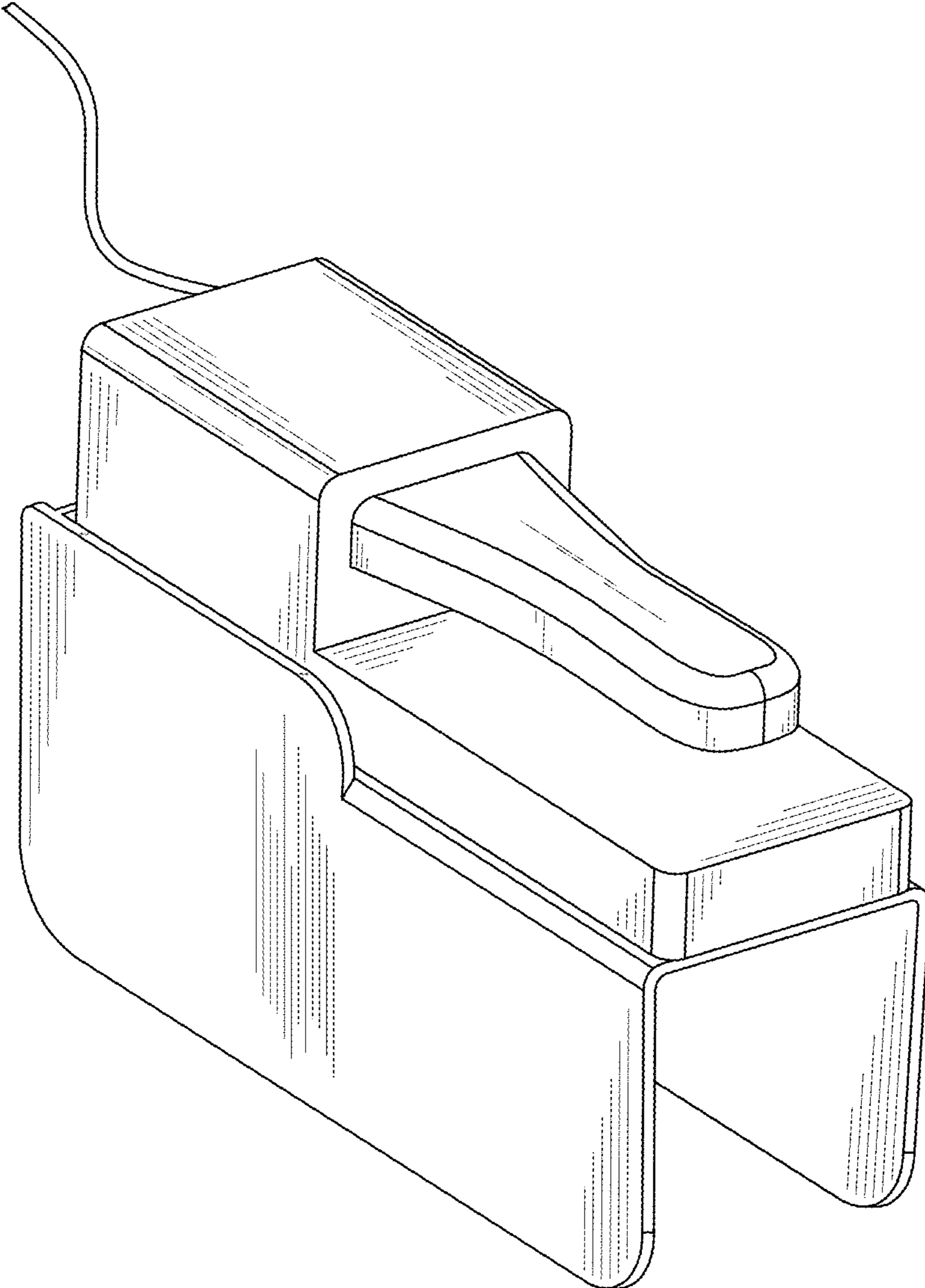


FIG. 1

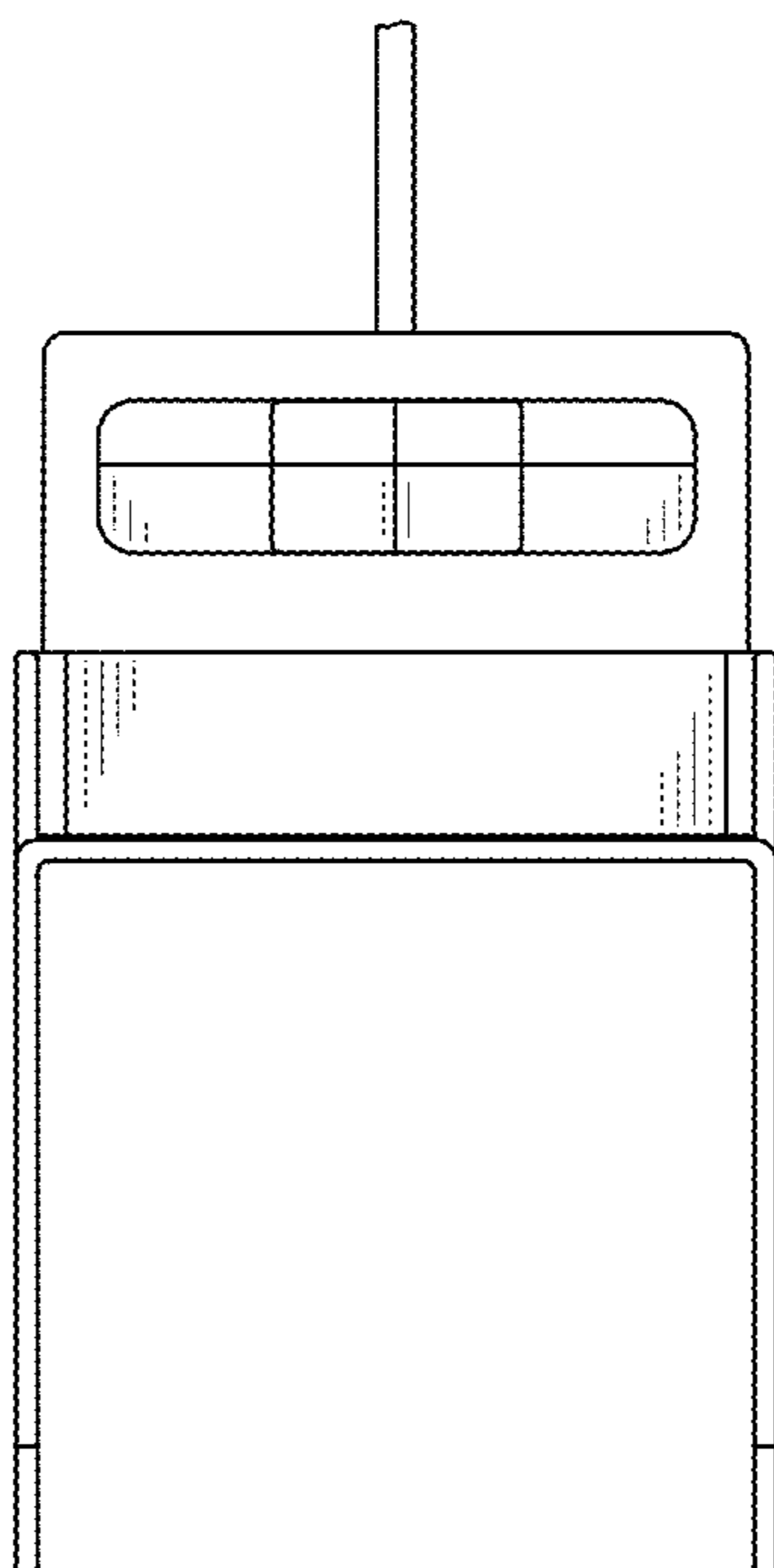


FIG. 2

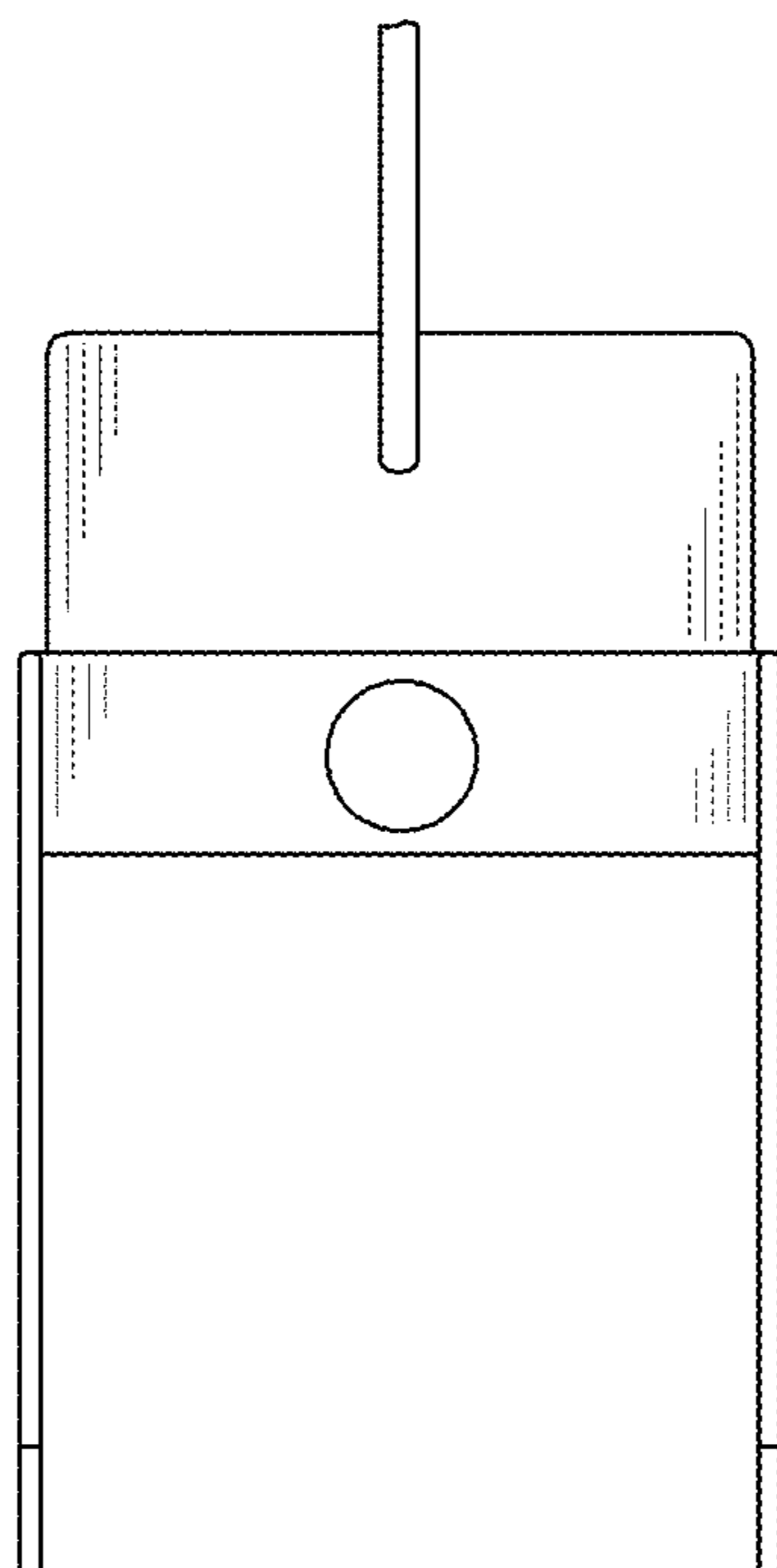


FIG. 3

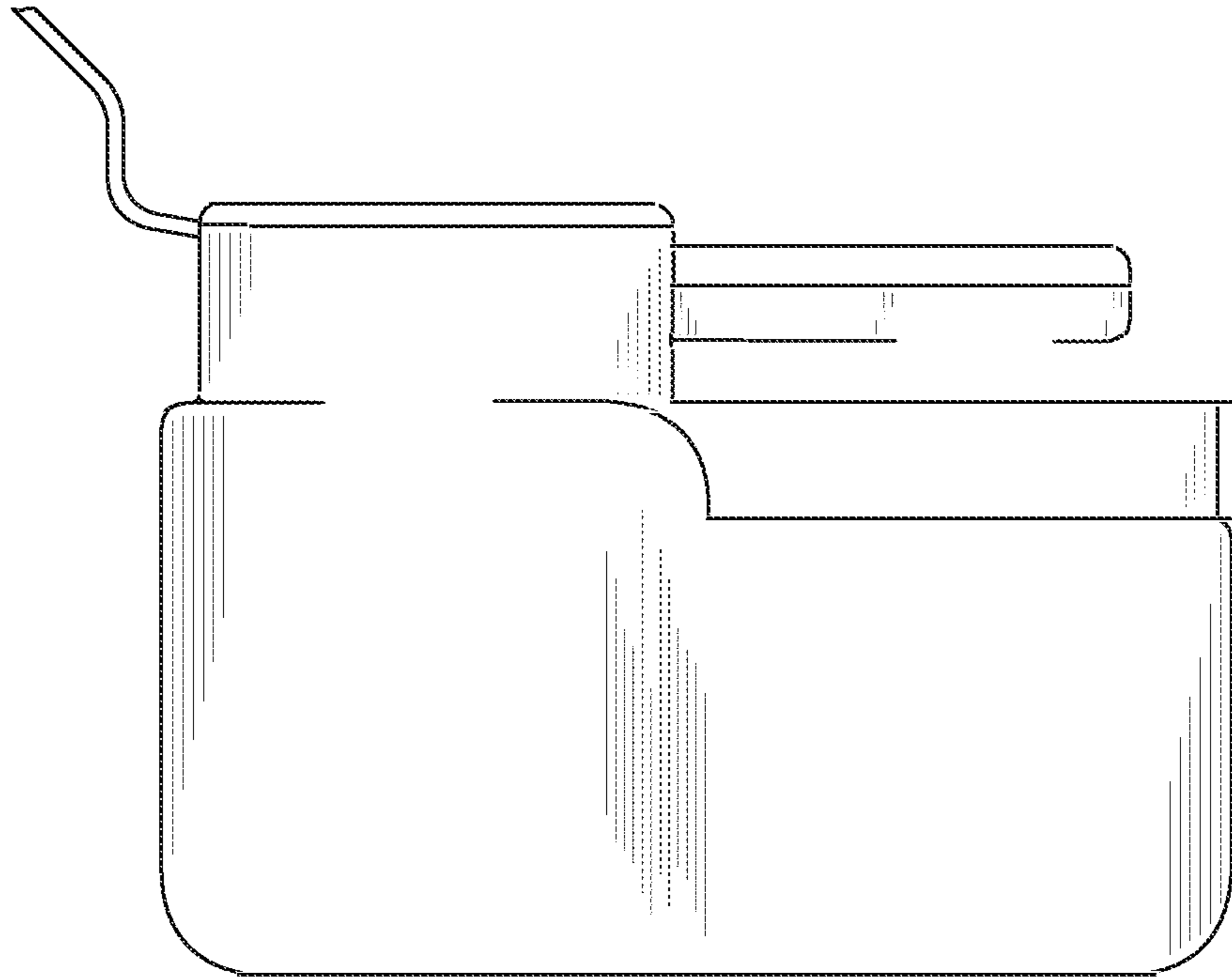


FIG. 4

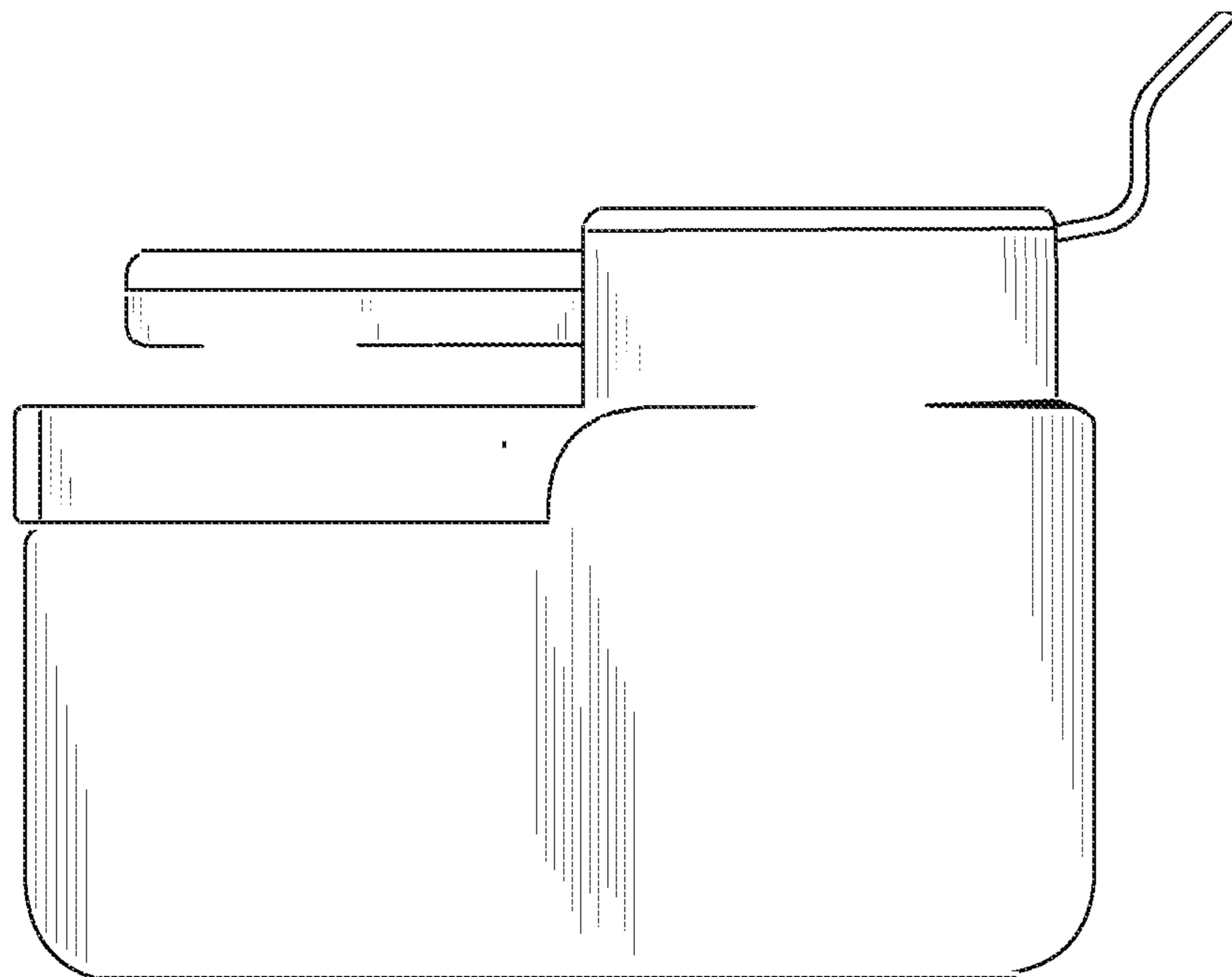


FIG. 5

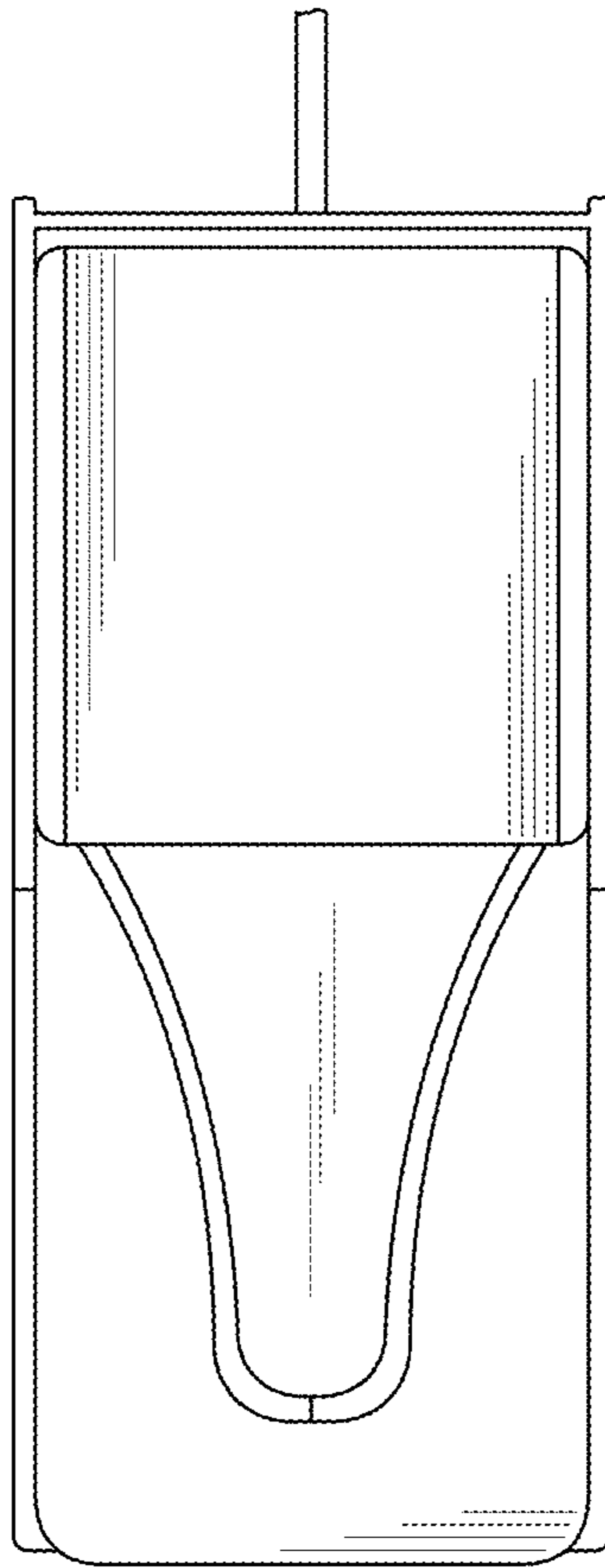


FIG. 6

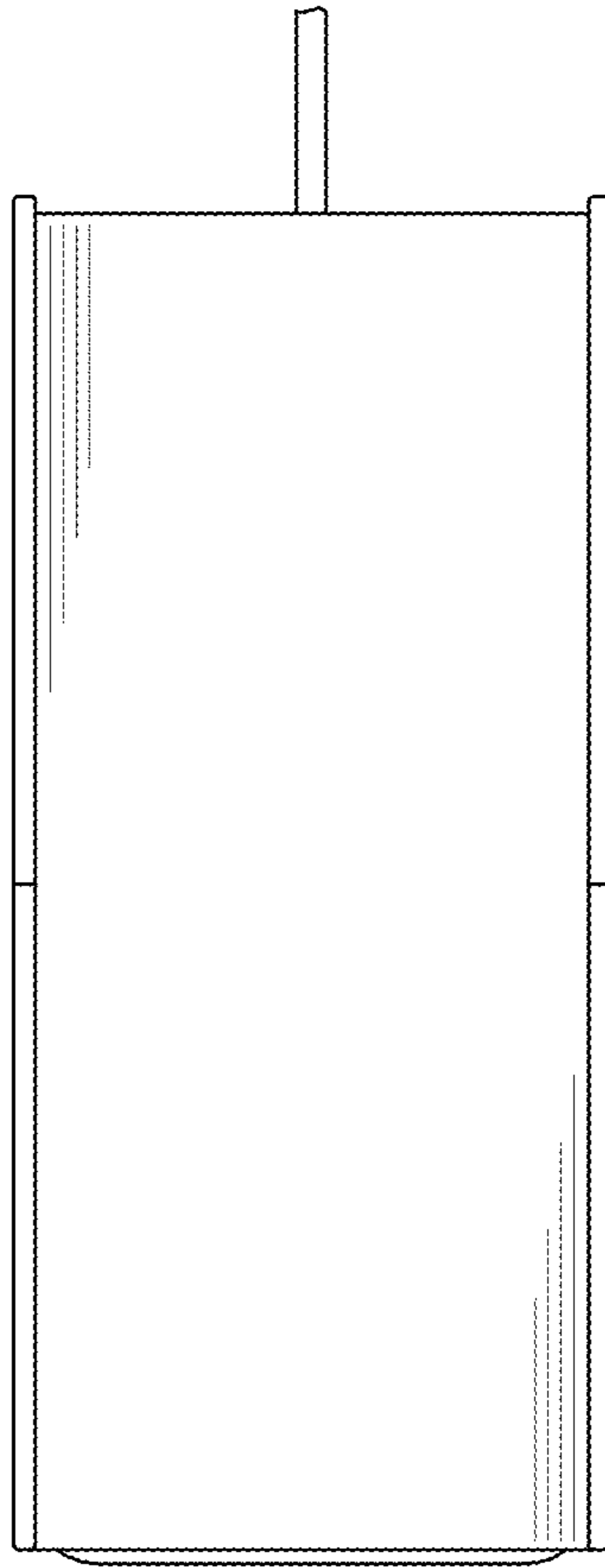


FIG. 7