



US00D924312S

(12) **United States Design Patent**
Huang et al.

(10) **Patent No.:** **US D924,312 S**
(45) **Date of Patent:** **** Jul. 6, 2021**

- (54) **KEYBOARD CONTROLLER**
- (71) Applicant: **Guangzhou Rantion Technology Co., Ltd**, Guangzhou (CN)
- (72) Inventors: **Peng Huang**, Guangzhou (CN);
Mingpei Lei, Guangzhou (CN)
- (**) Term: **15 Years**
- (21) Appl. No.: **29/738,703**
- (22) Filed: **Jun. 19, 2020**
- (51) **LOC (13) Cl.** **17-01**
- (52) **U.S. Cl.**
USPC **D17/1**
- (58) **Field of Classification Search**
USPC D17/1, 2, 7, 99; D21/405, 409;
D14/203.1
CPC G10C 1/00; G10C 1/02; G10C 3/12
See application file for complete search history.

- D877,238 S * 3/2020 Yang D17/2
- D881,268 S * 4/2020 Kuramoto D17/99
- 2017/0025112 A1* 1/2017 Yukawa G10H 1/0066

* cited by examiner

Primary Examiner — R. Johnson

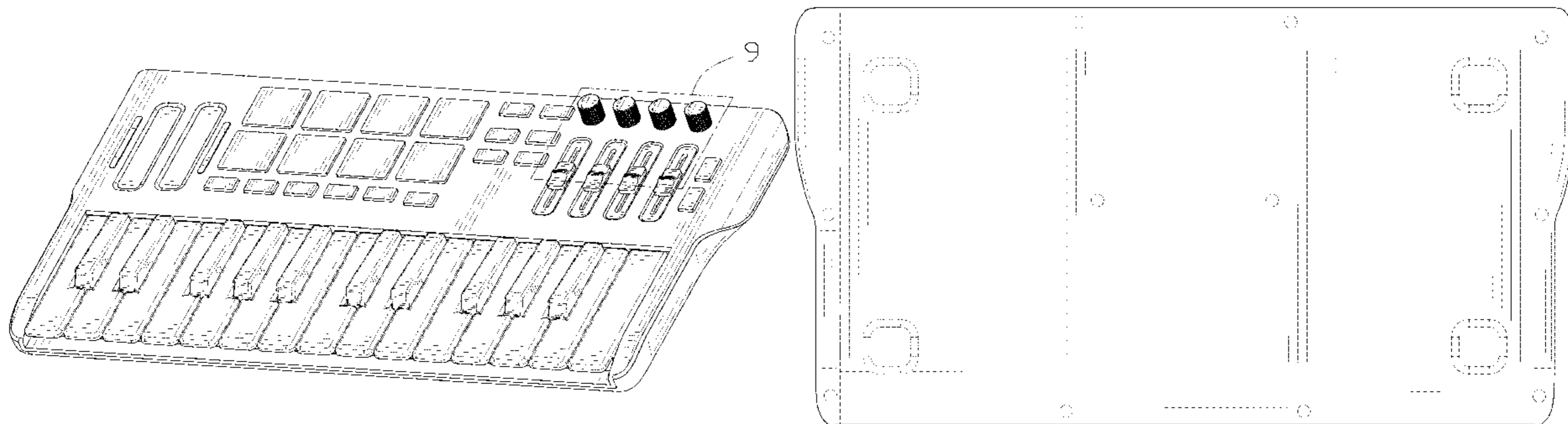
(57) **CLAIM**

The ornamental design for a keyboard controller, as shown and described.

DESCRIPTION

FIG. 1 is a front and bottom perspective view of a keyboard controller, showing our new design;
 FIG. 2 is a front and top perspective view thereof;
 FIG. 3 is a front elevational view thereof;
 FIG. 4 is a rear elevational view thereof;
 FIG. 5 is a left side elevational view thereof;
 FIG. 6 is a right side elevational view thereof;
 FIG. 7 is a top plan view thereof;
 FIG. 8 is a bottom plan view thereof; and,
 FIG. 9 is an enlarged view of a portion indicated in FIG. 1. The dashed broken lines in the figures illustrate portions of the article that form no part of the claimed design. The dash dot dash lines in FIGS. 1 and 9 are for the purpose of depicting the cut line of the enlarged view and form no part of the claim.

1 Claim, 9 Drawing Sheets



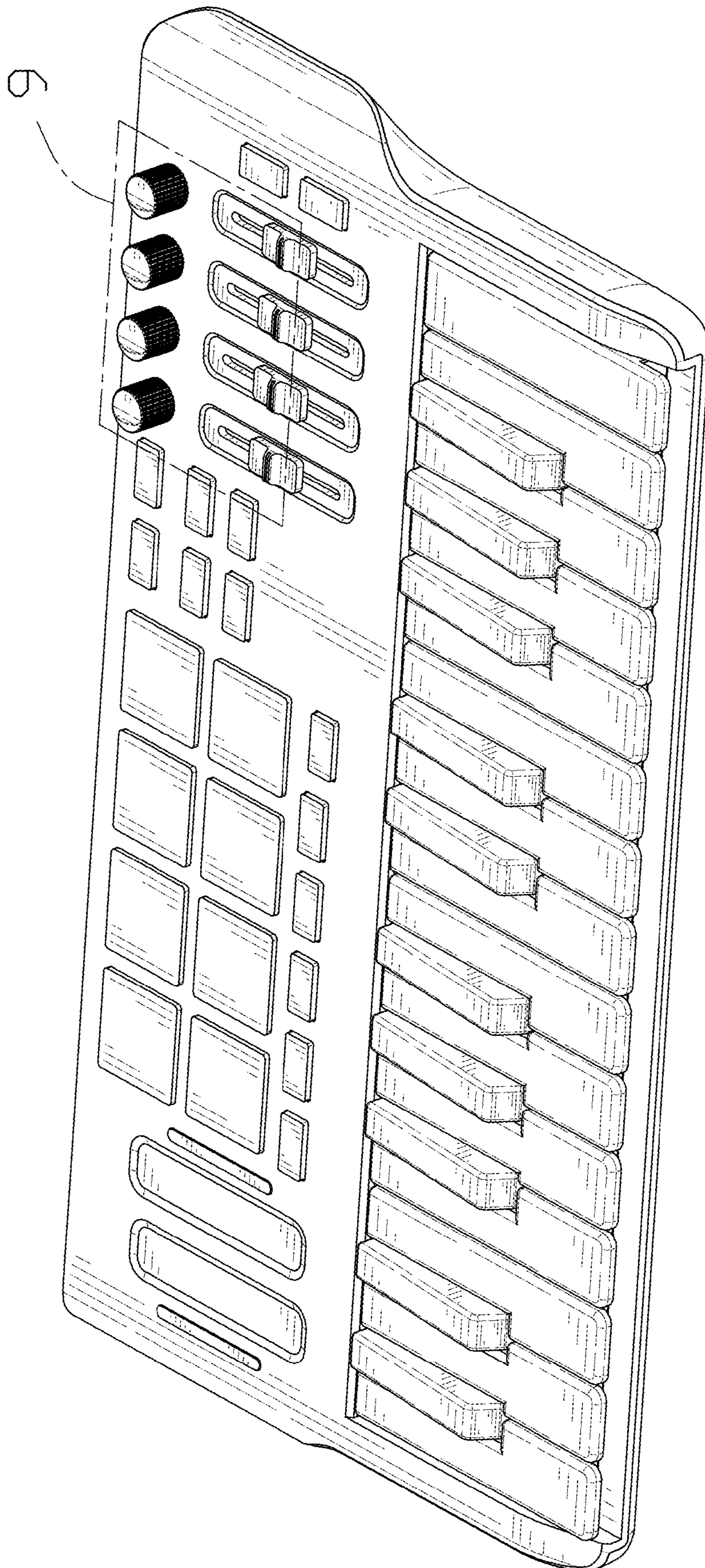


FIG. 1

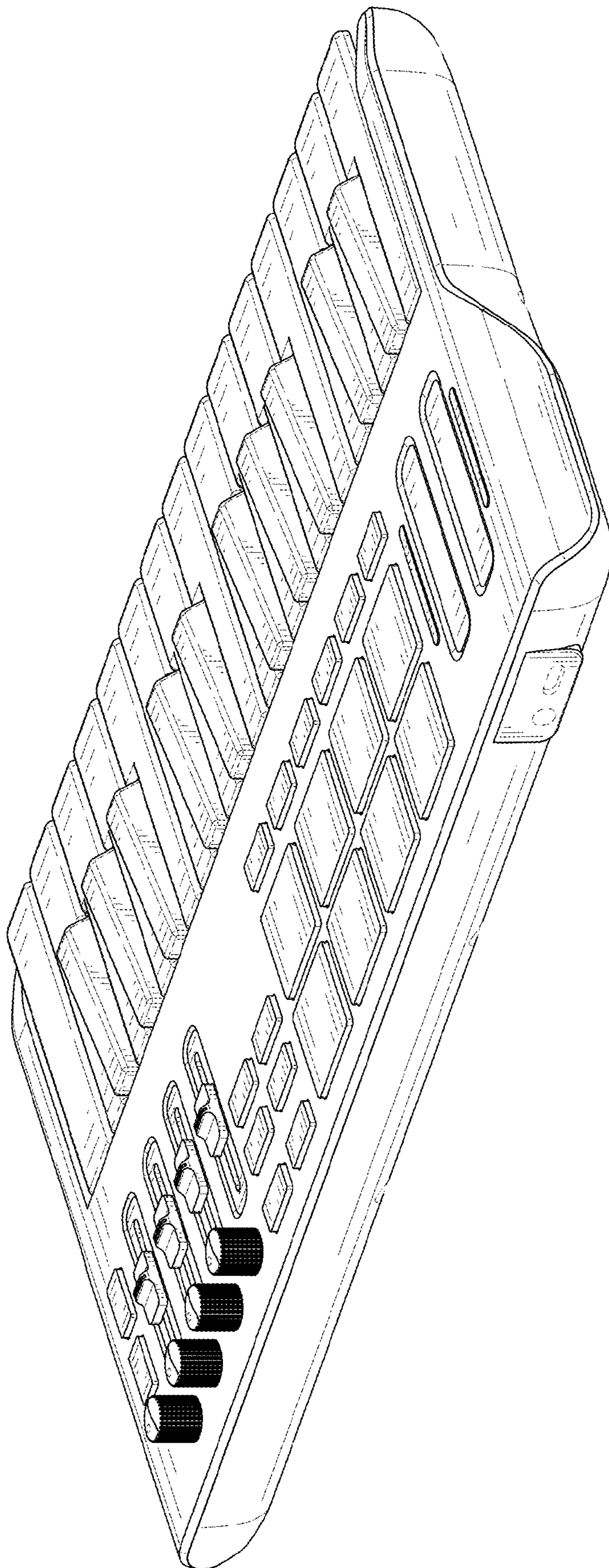


FIG. 2

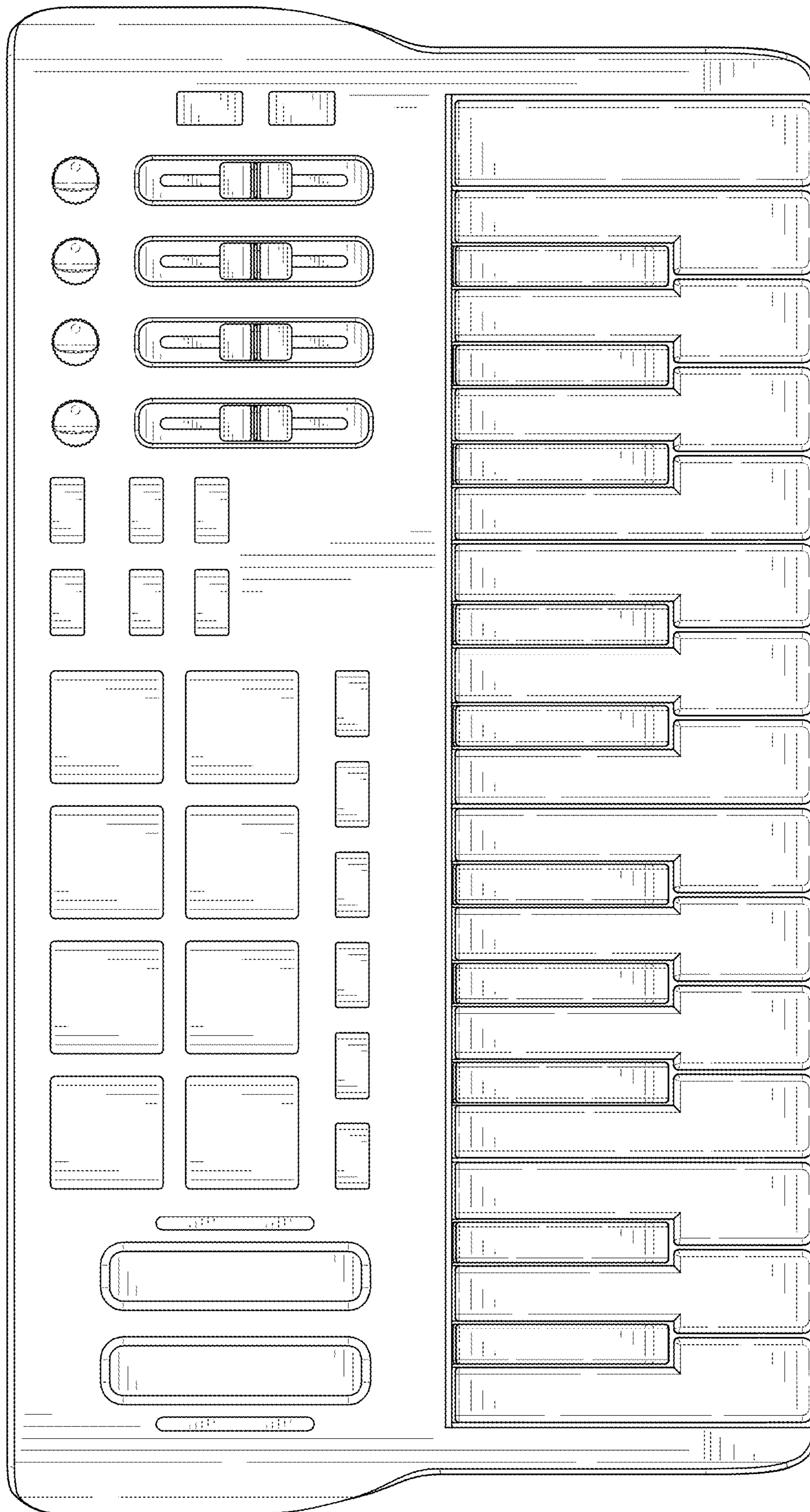


FIG. 3

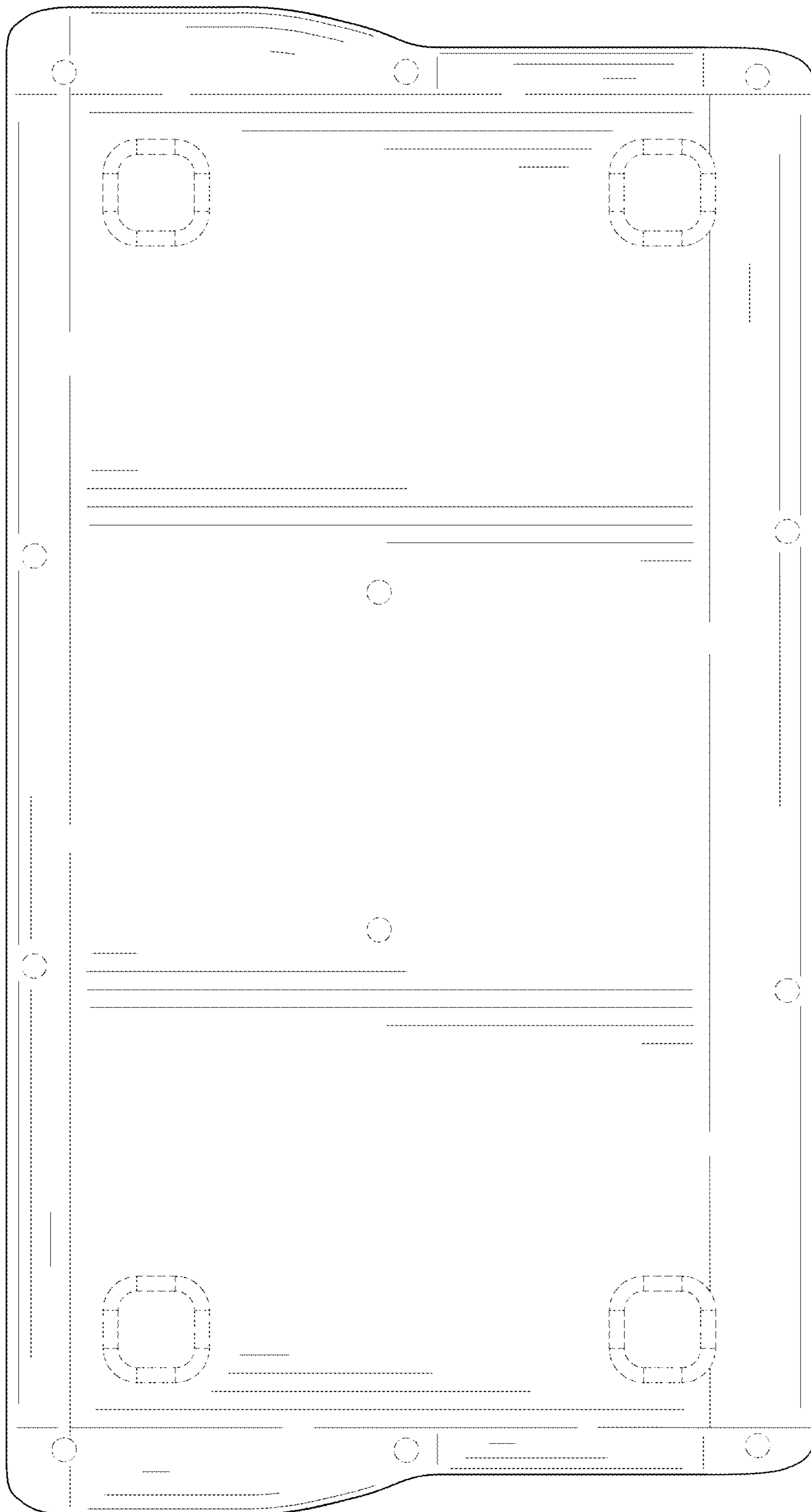


FIG. 4

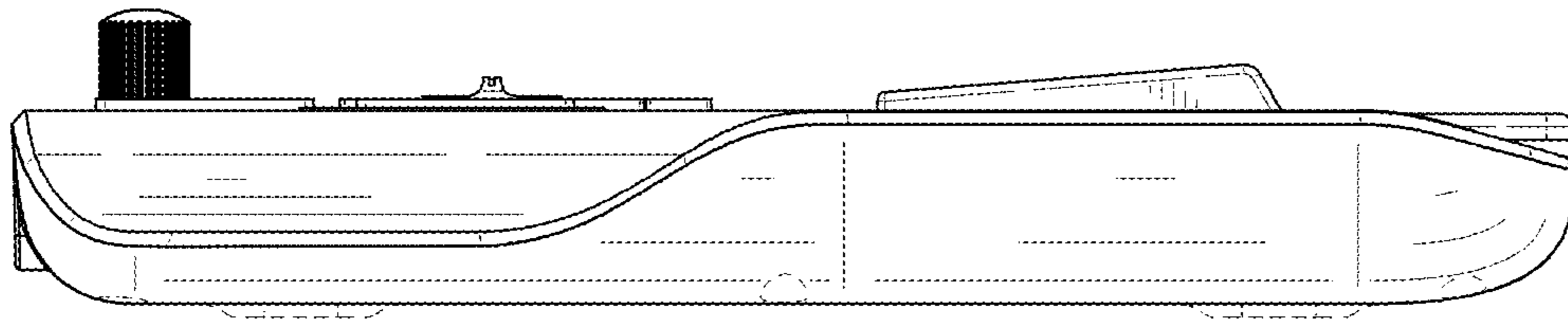


FIG. 5

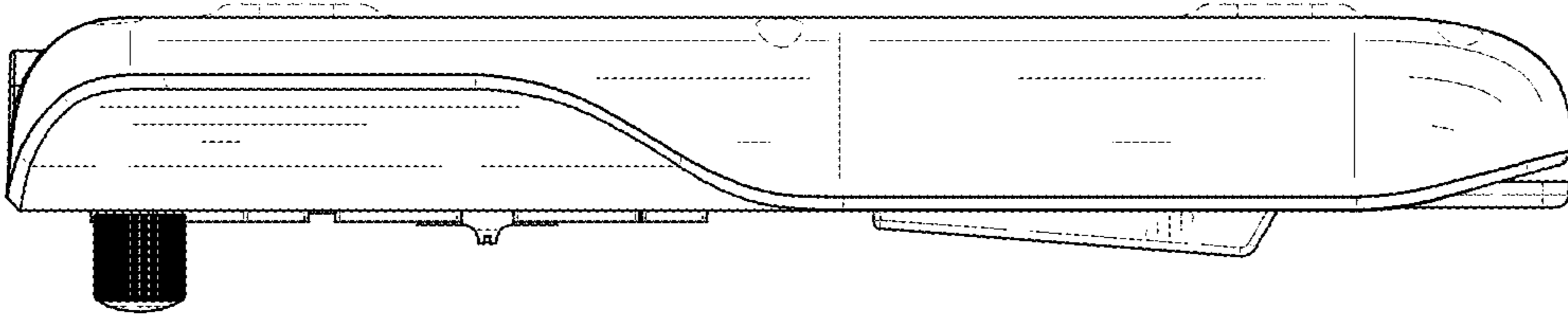


FIG. 6

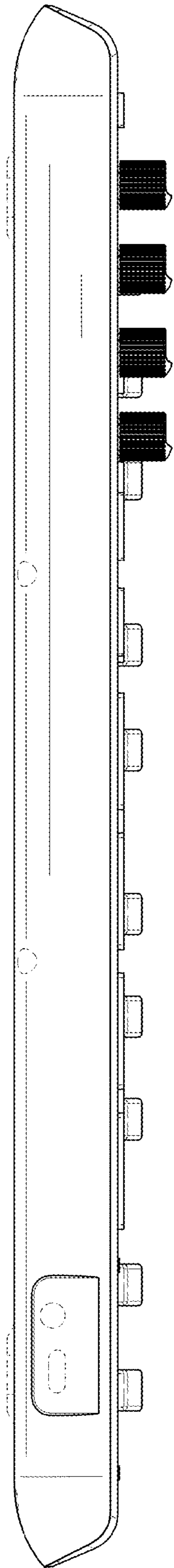


FIG. 7

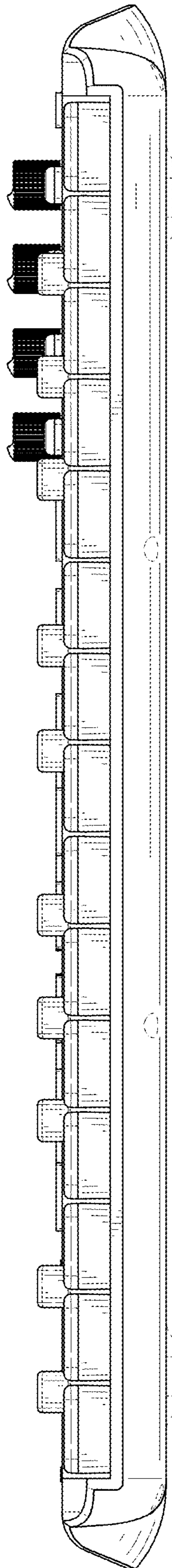


FIG. 8

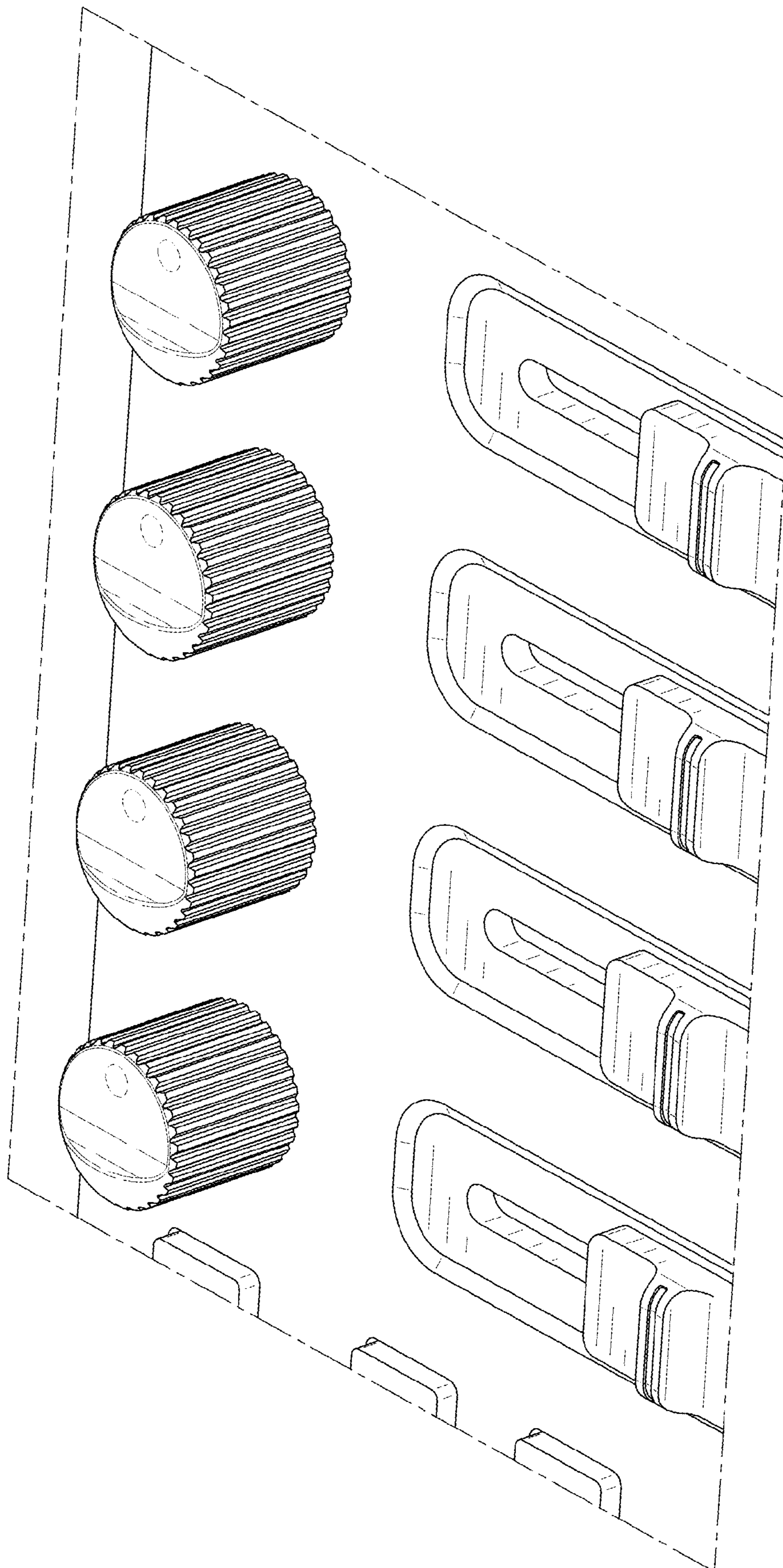


FIG. 9