



US00D924311S

(12) **United States Design Patent** (10) **Patent No.:** **US D924,311 S**  
**Ke** (45) **Date of Patent:** **\*\* Jul. 6, 2021**

(54) **DESKTOP STAND** 9,958,759 B2 \* 5/2018 Johnson, Sr. .... F16M 11/10  
D894,197 S 8/2020 Knapp et al.  
(71) Applicant: **ShenZhen Neewer Technology Co.,** D895,632 S 9/2020 Knapp et al.  
**Ltd., Shenzhen (CN)** D902,195 S \* 11/2020 Ko ..... D14/253  
D908,164 S \* 1/2021 Zhang ..... D16/242

(72) Inventor: **Yan Ke, Shenzhen (CN)**

(\*\*) Term: **15 Years**

(21) Appl. No.: **29/762,088**

(22) Filed: **Dec. 15, 2020**

(51) **LOC (13) Cl.** ..... **16-05**

(52) **U.S. Cl.**  
USPC ..... **D16/237; D16/242**

(58) **Field of Classification Search**  
USPC ..... D16/208–209, 237, 242–245; D14/447,  
D14/451; D8/71–72  
CPC ..... G02B 7/00–002; F16M 11/06–10  
See application file for complete search history.

(56) **References Cited**

**U.S. PATENT DOCUMENTS**

- D236,941 S \* 9/1975 Seaverns et al. .... D8/73
- D257,259 S \* 10/1980 Shiraishi ..... D16/244
- D267,625 S \* 1/1983 Dark ..... D8/72
- D327,211 S \* 6/1992 Tarshis ..... D14/229
- D328,088 S \* 7/1992 Horino ..... D16/239
- D382,286 S \* 8/1997 Doran ..... 224/908
- D443,493 S \* 6/2001 Skeem ..... D8/72
- D498,251 S \* 11/2004 Invencio ..... D16/242
- D515,613 S \* 2/2006 Holmes ..... 396/428
- D552,658 S \* 10/2007 Moore ..... D16/242
- D573,861 S \* 7/2008 Hammer ..... D8/72
- D574,083 S 7/2008 Tassakos et al.
- D670,284 S \* 11/2012 Choi ..... D14/253
- D685,806 S 7/2013 Kim et al.
- D696,259 S 12/2013 Howarth et al.
- D748,182 S \* 1/2016 Polito ..... D16/242
- D750,611 S \* 3/2016 Manibog ..... D14/252
- D758,474 S \* 6/2016 Harrison ..... D16/242
- D783,837 S 4/2017 Janzen
- D798,872 S \* 10/2017 Gonen ..... D14/447

**OTHER PUBLICATIONS**

Neewer Tabletop Light Stand Clip. [online] Published on Aug. 14, 2020. Retrieved May 7, 2021 from URL: <https://www.amazon.com/Neewer-Tabletop-Adjustable-Aluminum-Streaming/dp/B08FX6SQN6>.\*

Neewer Tabletop Light Stand Clip Stand with 1\_4inch Screw. [online] Published on Aug. 25, 2020. Retrieved May 7, 2021 from URL: <https://www.amazon.com/Neewer-Tabletop-Adjustable-21-6-47-2inches-Streaming/dp/B08GLYRDN3>.\*

Dazzne Desk Mount Stand, 12.9-22inch Tabletop C Clamp Mount Stand. [online] Published on Oct. 7, 2020. Retrieved May 7, 2021 from URL: [https://www.amazon.com/Dazzne-12-9-22inch-Tabletop-Adjustable-Aluminum/dp/B08KSTH7WN/ref=psdc\\_3348051\\_t2\\_B08NSS6GJ2](https://www.amazon.com/Dazzne-12-9-22inch-Tabletop-Adjustable-Aluminum/dp/B08KSTH7WN/ref=psdc_3348051_t2_B08NSS6GJ2).\*

\* cited by examiner

*Primary Examiner* — Vy N Koenig

(74) *Attorney, Agent, or Firm* — Rumit Ranjit Kanakia

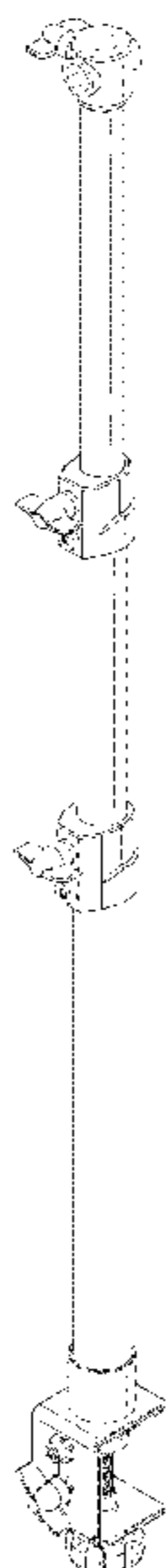
(57) **CLAIM**

I claim the ornamental design for a desktop stand, as shown and described.

**DESCRIPTION**

FIG. 1 is a Perspective view of a desktop stand showing my new design in open position;  
FIG. 2 is a Front view thereof;  
FIG. 3 is a Back view thereof;  
FIG. 4 is a Right-side view thereof;  
FIG. 5 is a Left-side view thereof;  
FIG. 6 is a Top view thereof; and,  
FIG. 7 is a Bottom view thereof.  
The broken lines in the drawings depict portions of the desktop stand that form no part of the claimed design.

**1 Claim, 4 Drawing Sheets**



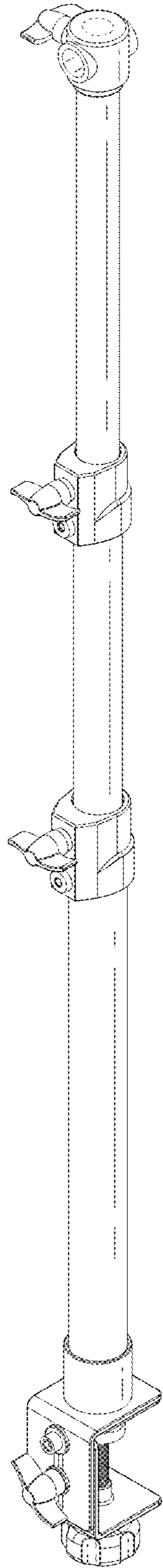


FIG. 1

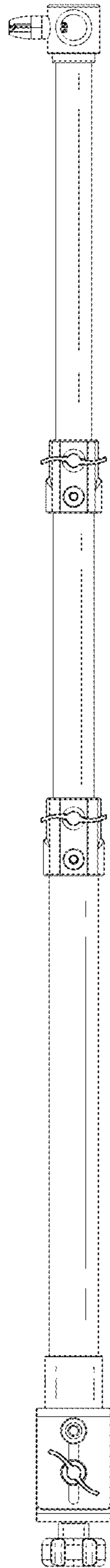


FIG. 2

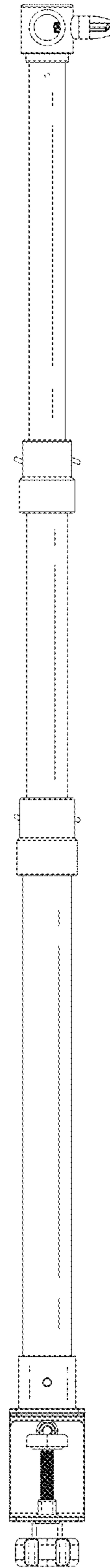


FIG. 3

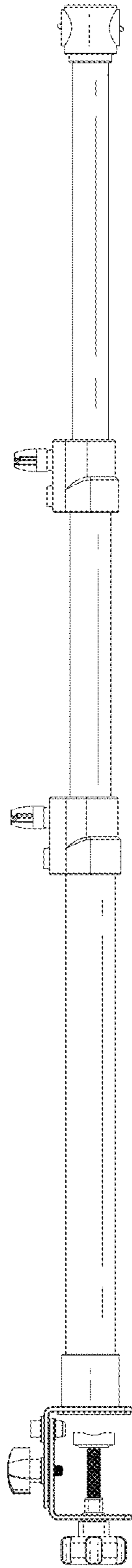


FIG. 4

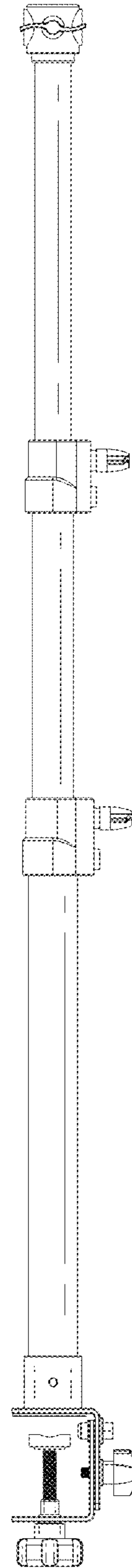


FIG. 5

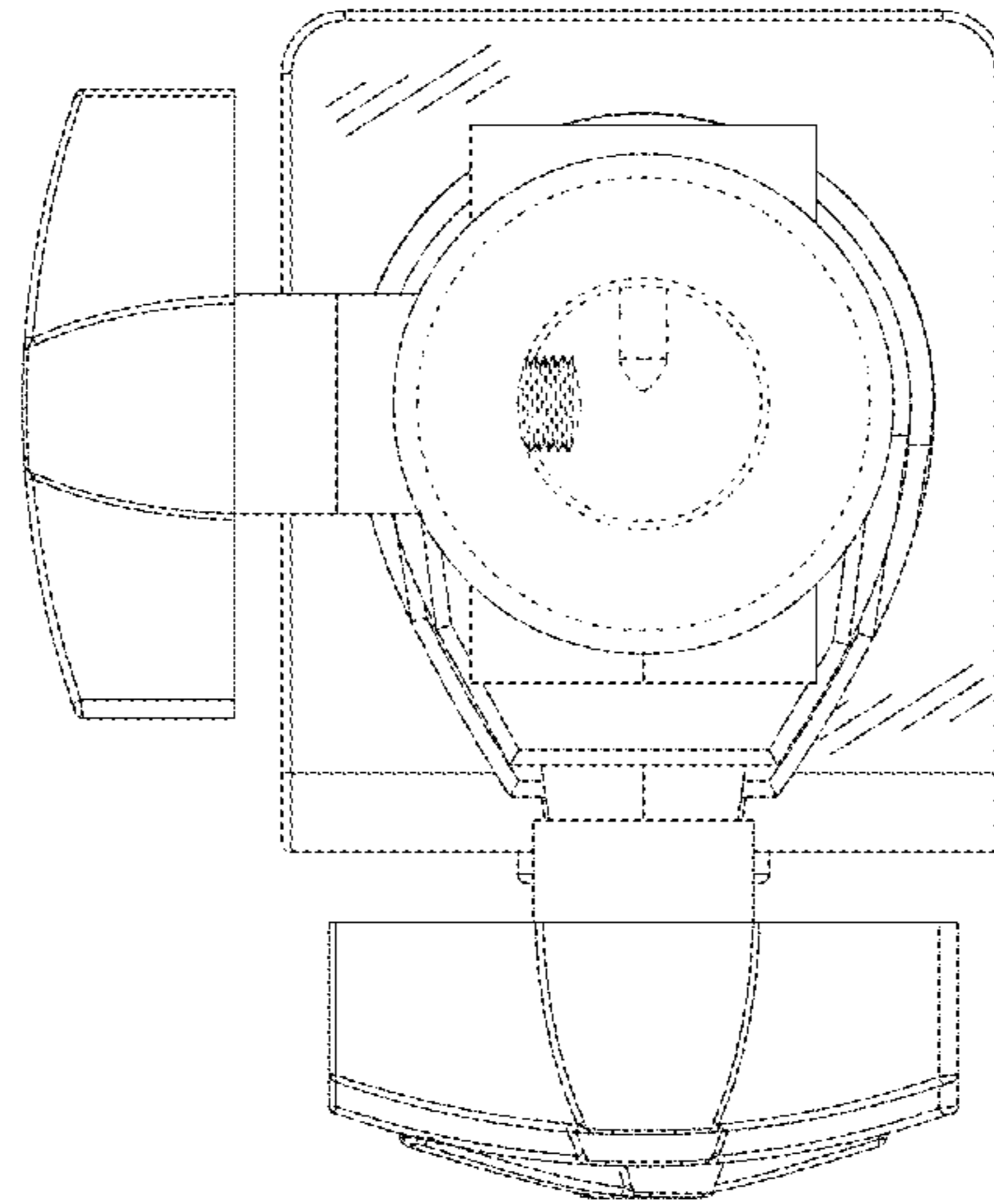


FIG. 6

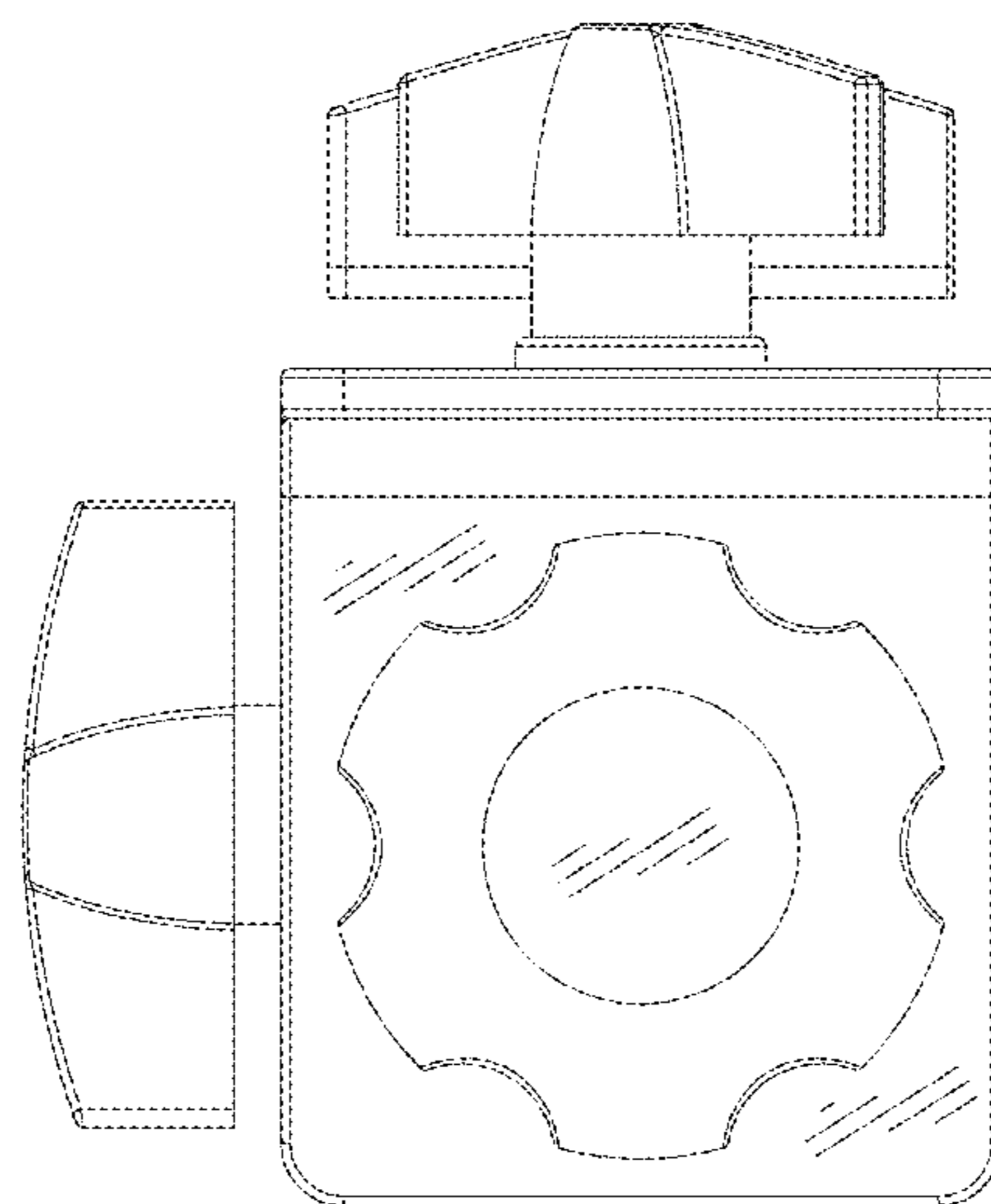


FIG. 7