

US00D924310S

(12) **United States Design Patent**
Zeng et al.

(10) **Patent No.:** **US D924,310 S**

(45) **Date of Patent:** **** Jul. 6, 2021**

(54) **CAMERA FOLLOW FOCUS**

OTHER PUBLICATIONS

(71) Applicant: **TILTA INC.**, Burbank, CA (US)

Tiltaing FF-T06 \$99 Mini Follow Focus Review. [online] Published Feb. 11, 2020. Retrieved from URL: <https://www.newsshooter.com/2020/02/11/tiltaing-ff-t06-99-mini-follow-focus-review/>.*

(72) Inventors: **Wenping Zeng**, Burbank, CA (US);
Kefeng Zhou, Burbank, CA (US)

Wooden Camera Zip Focus Single-Rod Follow Focus (19/15mm Studio), [online] Retrieved Feb. 12, 2021 from URL: https://www.bhphotovideo.com/c/product/1384148-REG/wooden_camera_255700_zip_focus_19mm_15mm_studio.html.*

(73) Assignee: **TILTA INC.**, Burbank, CA (US)

(**) Term: **15 Years**

* cited by examiner

(21) Appl. No.: **29/714,068**

Primary Examiner — Vy N Koenig

(22) Filed: **Nov. 21, 2019**

(74) *Attorney, Agent, or Firm* — Loza & Loza, LLP;
Derek Yeung

(51) **LOC (13) Cl.** **16-05**

(52) **U.S. Cl.**
USPC **D16/237**

(57) **CLAIM**

(58) **Field of Classification Search**
USPC D16/219, 237–250; D8/354, 355, 363,
D8/373, 382–383, 394–396; D14/224,
D14/229, 238, 251, 253, 447, 451, 457
CPC F16M 11/06–10; F16M 11/14; G02B
7/00–002; G03B 17/561–566; H04N
5/2253–2254
See application file for complete search history.

We claim the ornamental design for a camera follow focus substantially, as shown and described.

DESCRIPTION

(56) **References Cited**

U.S. PATENT DOCUMENTS

3,947,860	A *	3/1976	Imai	G03B 3/00 396/144
D366,887	S *	2/1996	Wood	D16/242
D564,010	S *	3/2008	Dordick	D16/242
D636,658	S *	4/2011	McGrath	D8/355
D713,440	S *	9/2014	Zhan	D16/237
D881,971	S *	4/2020	Lin	D16/205
D903,742	S *	12/2020	Sakai	D16/219
2010/0259669	A1 *	10/2010	Wood	G03B 17/56 348/345
2014/0132828	A1 *	5/2014	Lochner	F16M 11/18 348/373
2019/0368653	A1 *	12/2019	Olinger	F16M 13/02

FIG. 1 is a first perspective view of a camera follow focus in accordance with the present design.

FIG. 2 is a second perspective view of the camera follow focus of FIG. 1.

FIG. 3 is a rear view of the camera follow focus of FIG. 1.

FIG. 4 is a front view of the camera follow focus of FIG. 1.

FIG. 5 is a top plan view of the camera follow focus of FIG. 1.

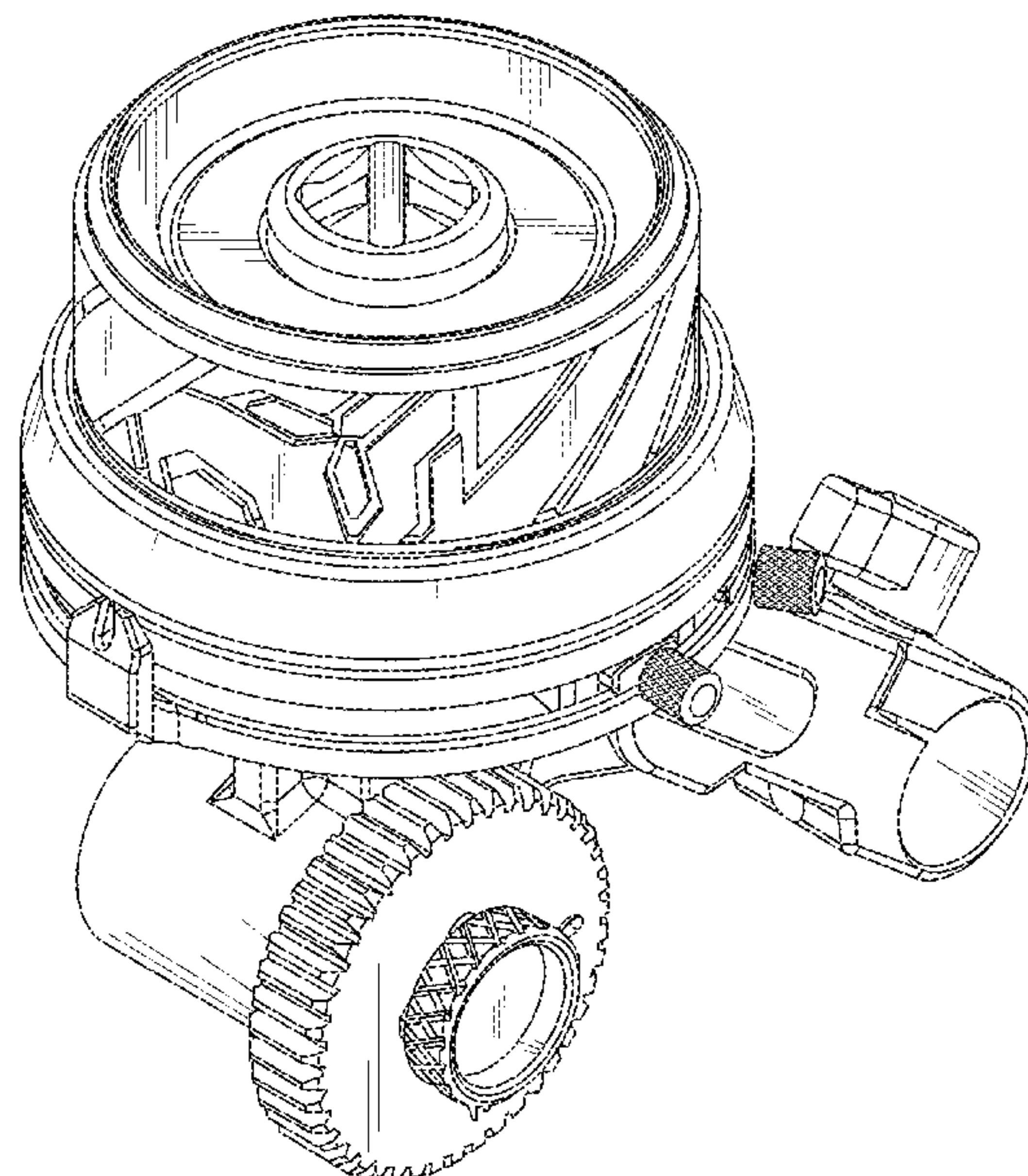
FIG. 6 is a bottom plan view of the camera follow focus of FIG. 1.

FIG. 7 is a left side view of the camera follow focus of FIG. 1; and,

FIG. 8 is a right side view of the camera follow focus of FIG. 1.

The broken lines depict portions of the camera follow focus in which the design is embodied and form no part of the claimed design.

1 Claim, 8 Drawing Sheets



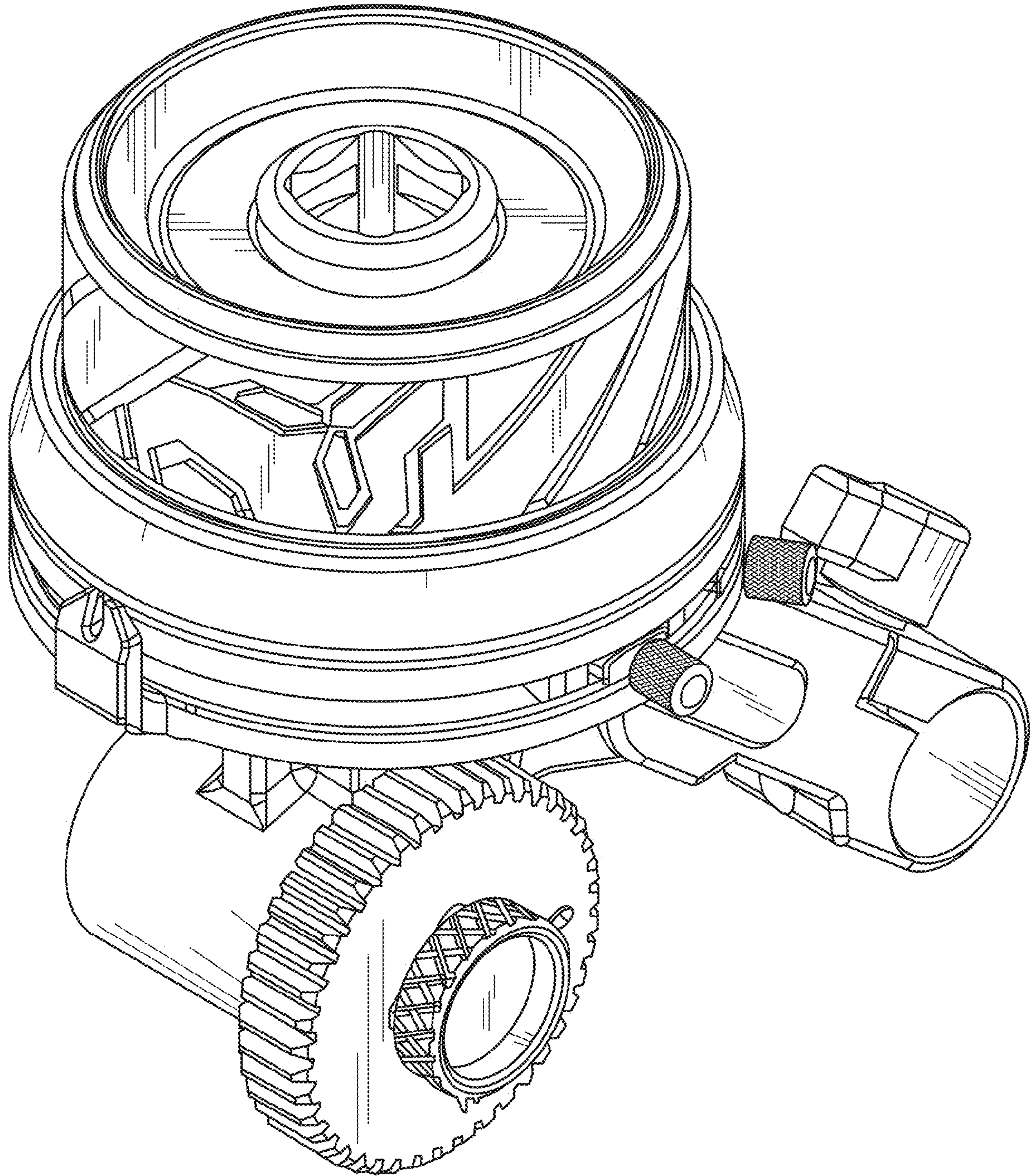


FIG. 1

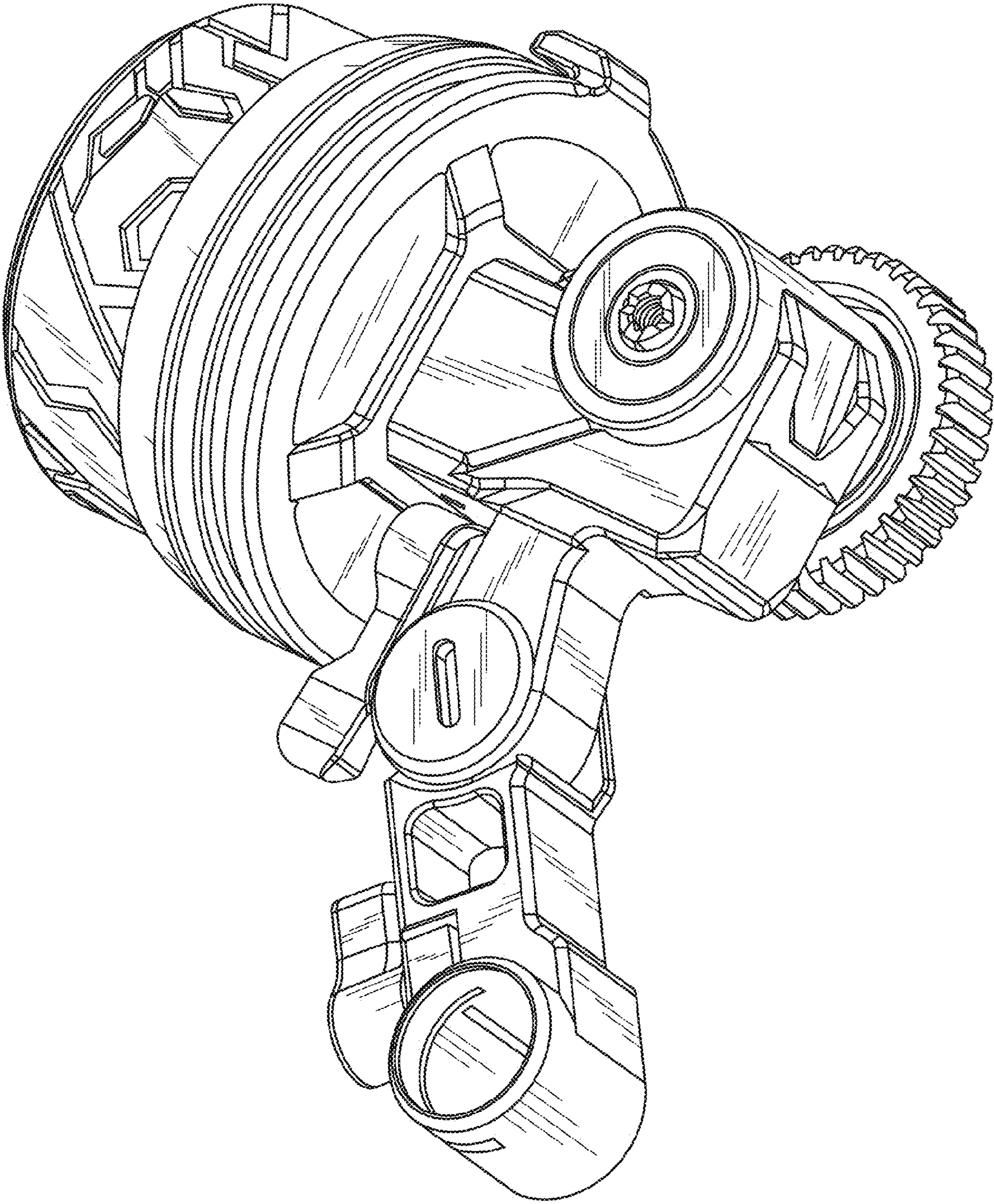


FIG. 2

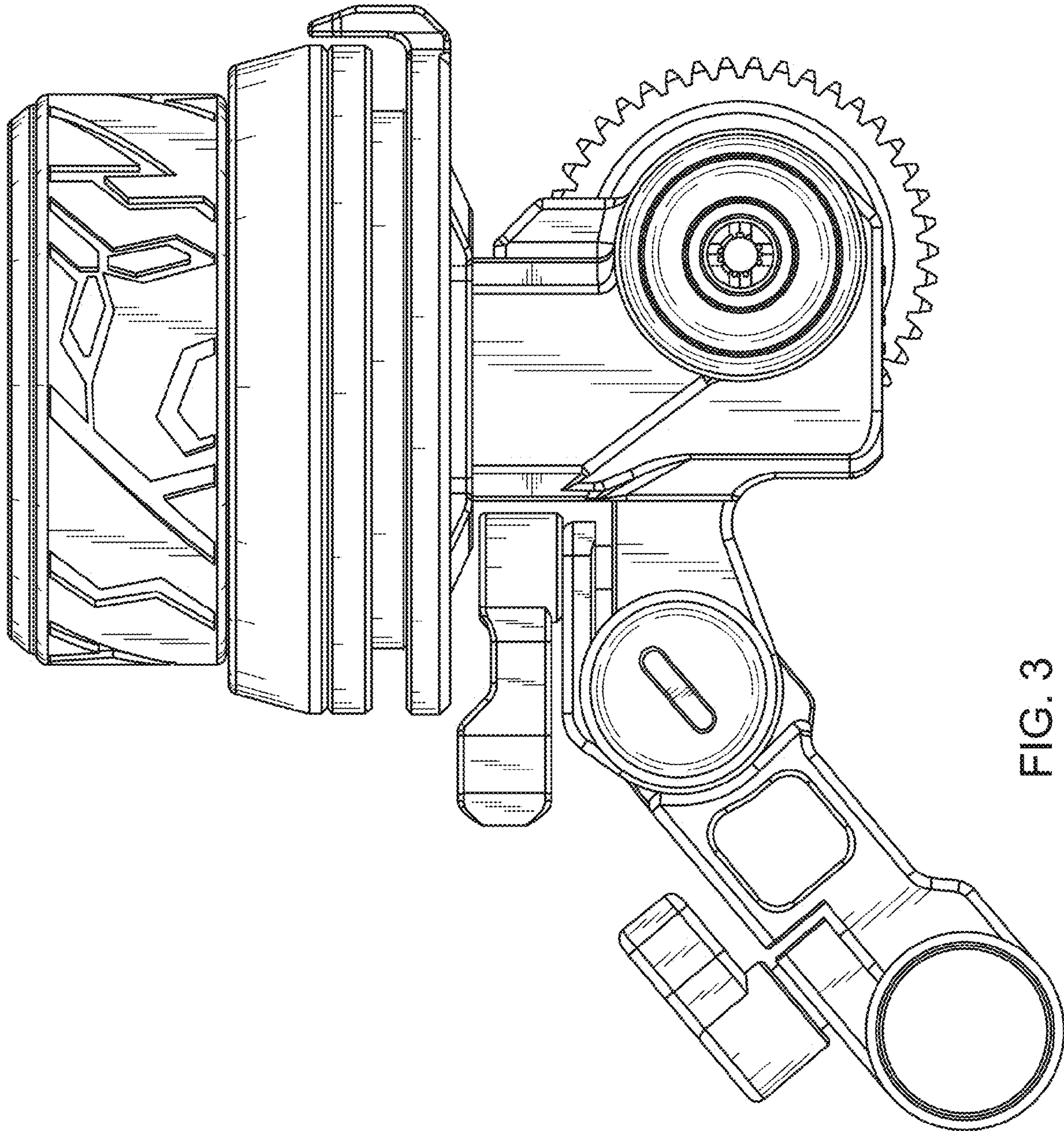


FIG. 3

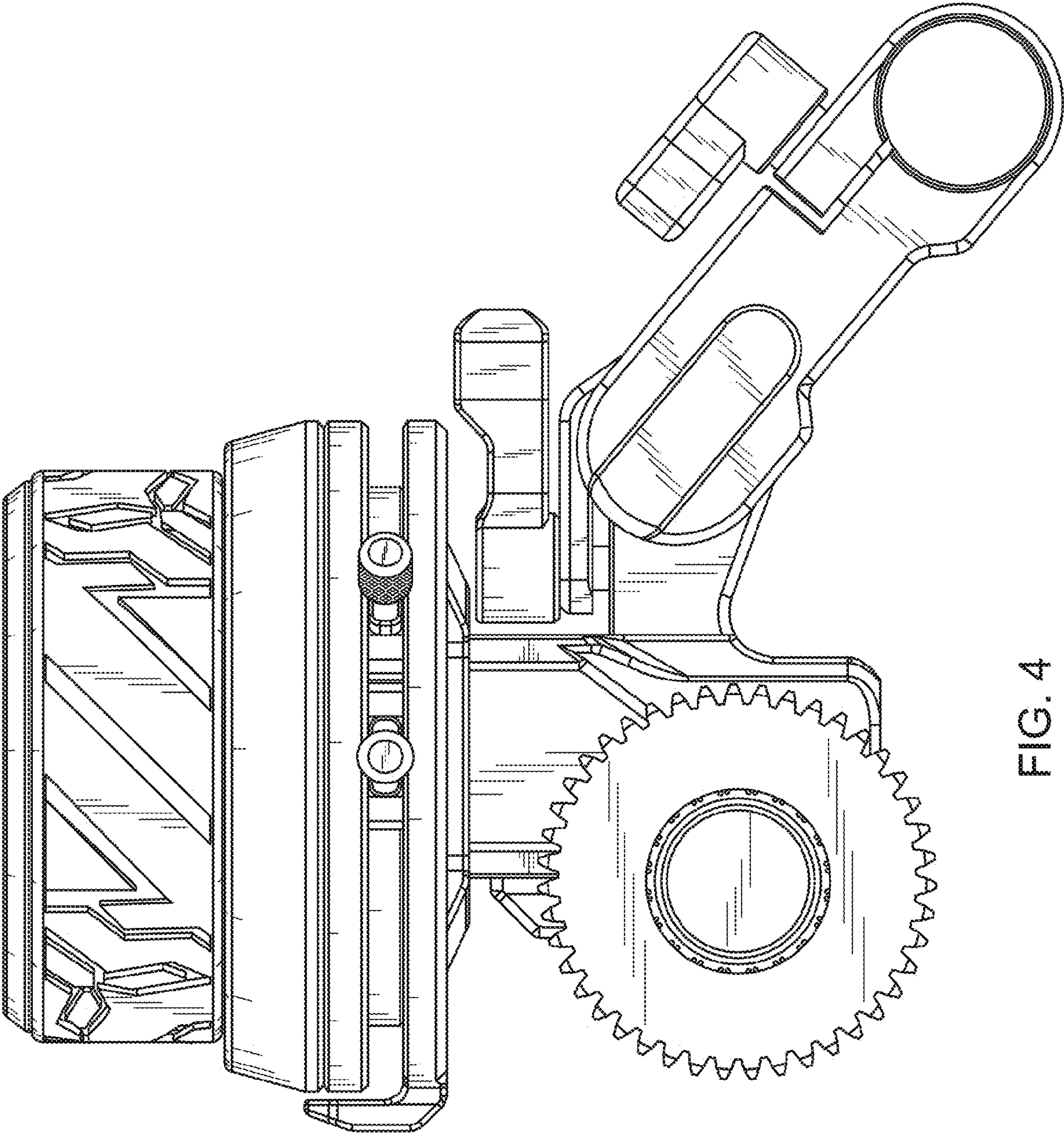


FIG. 4

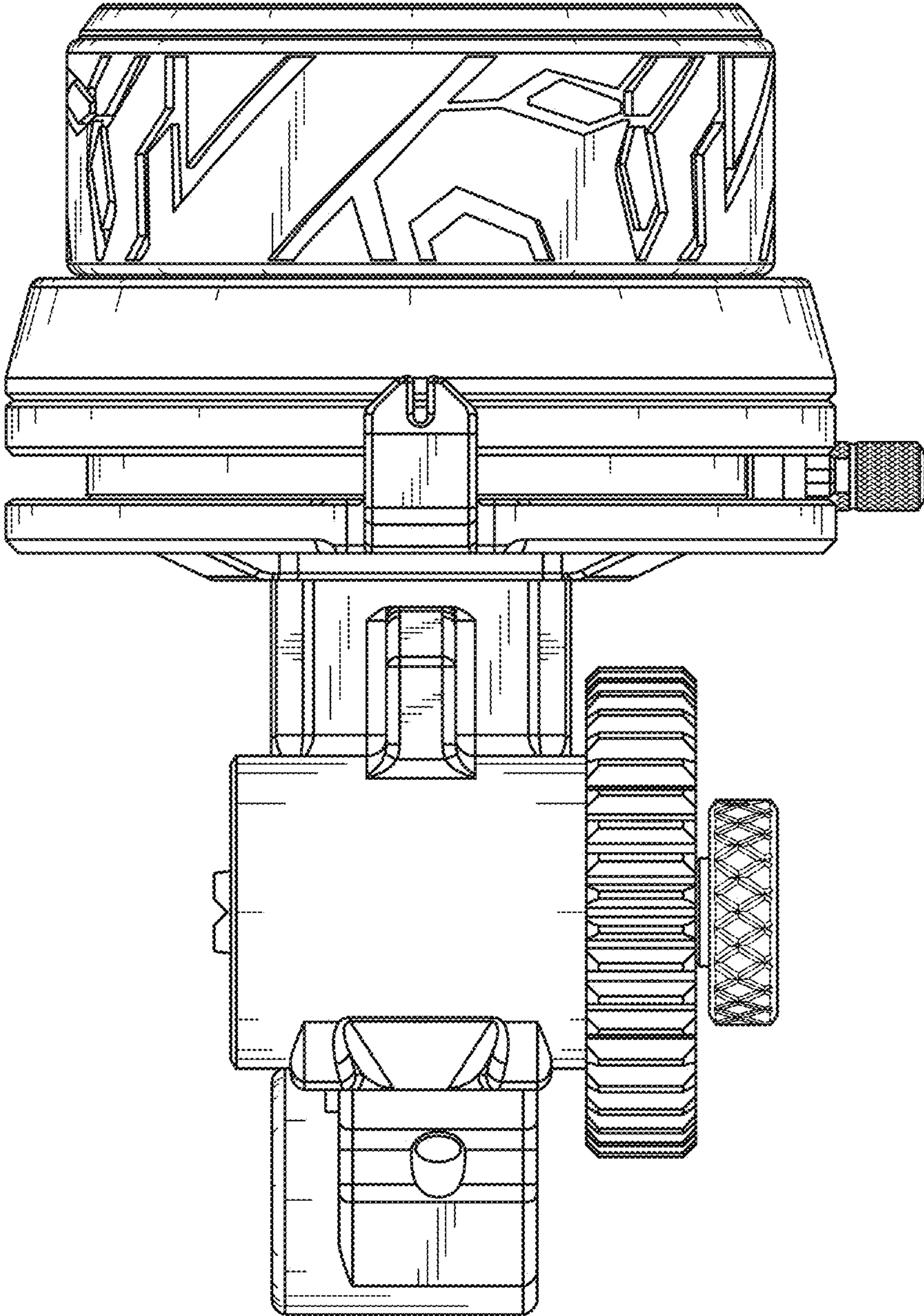


FIG. 5

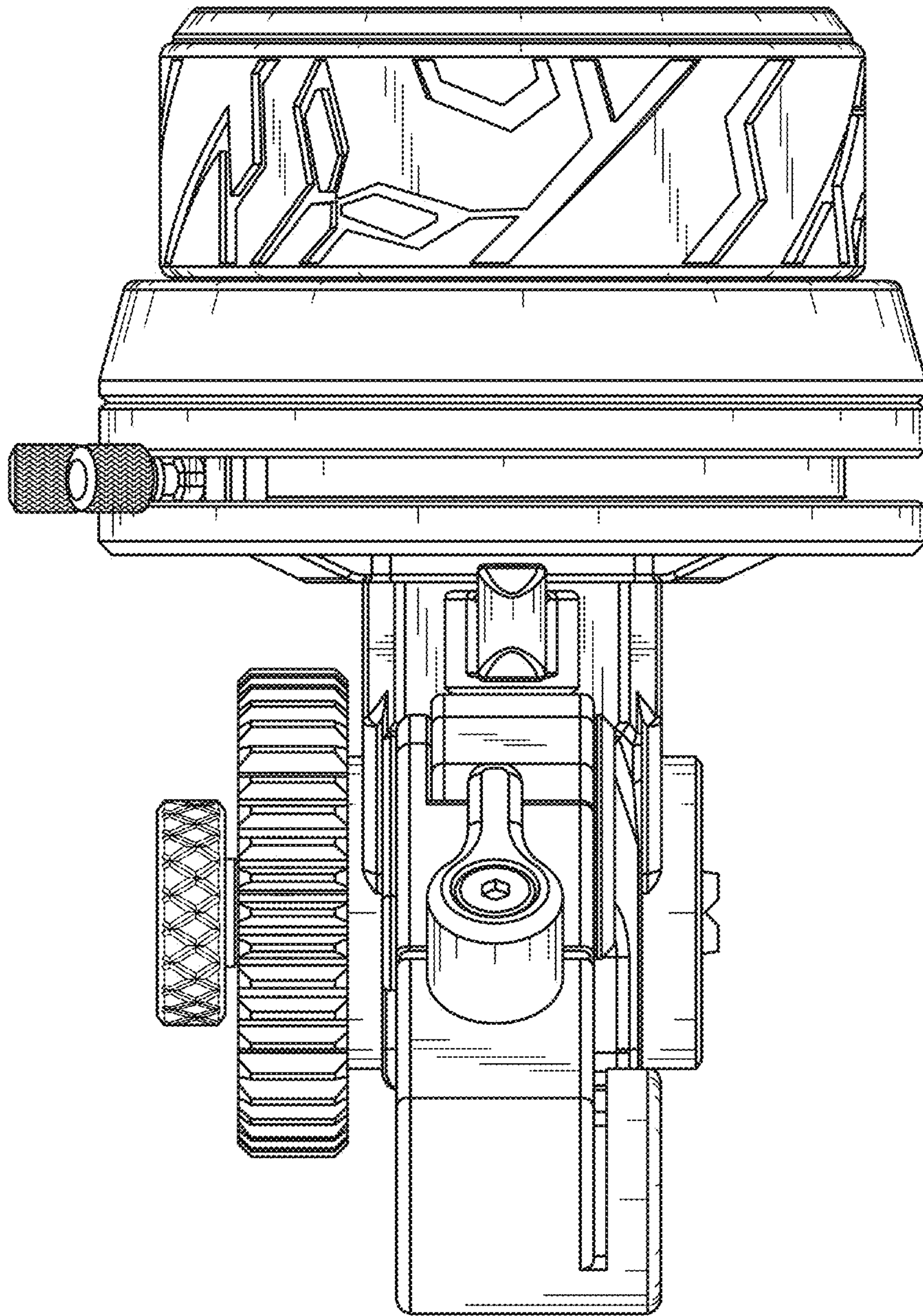


FIG. 6

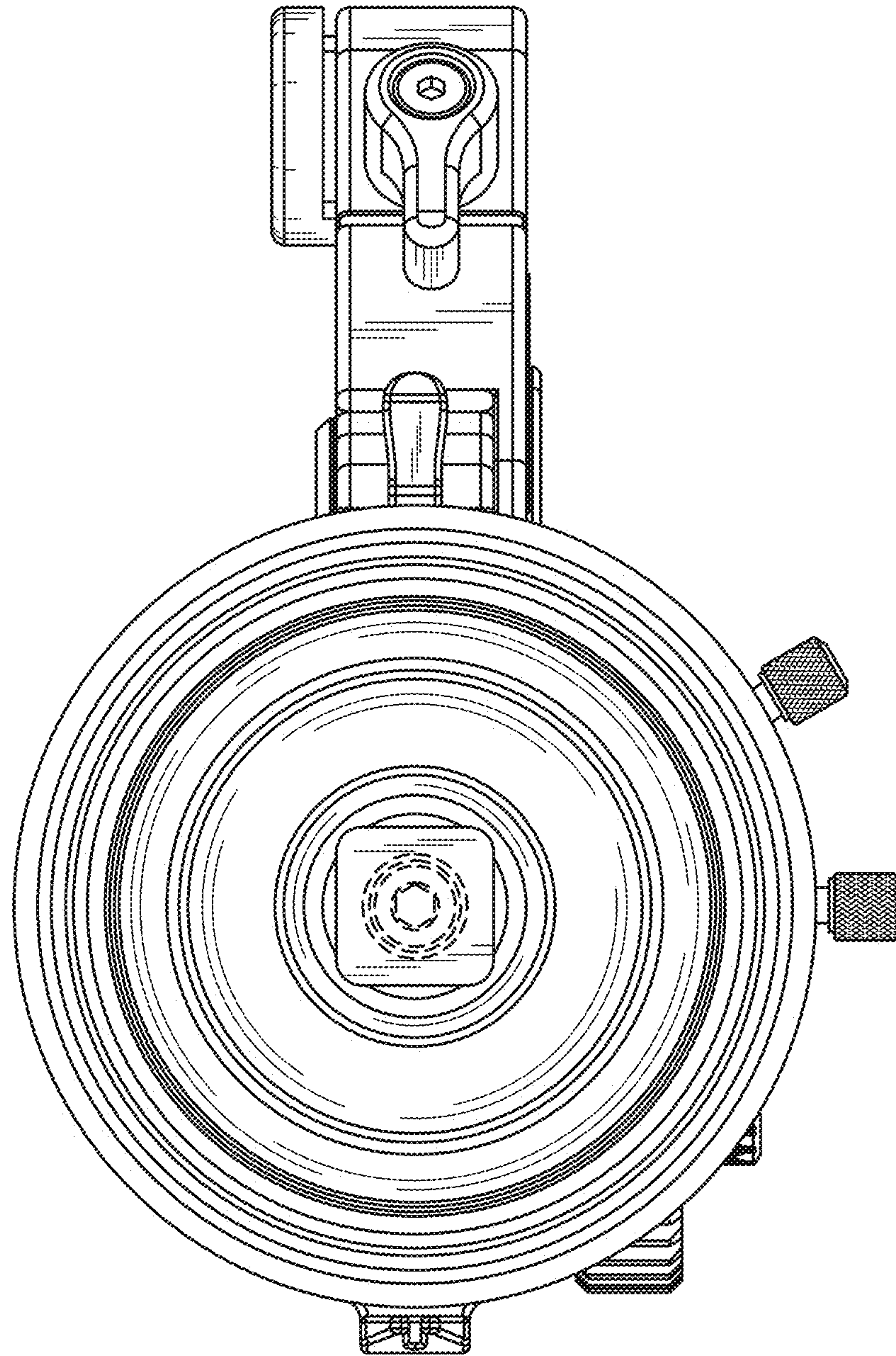


FIG. 7

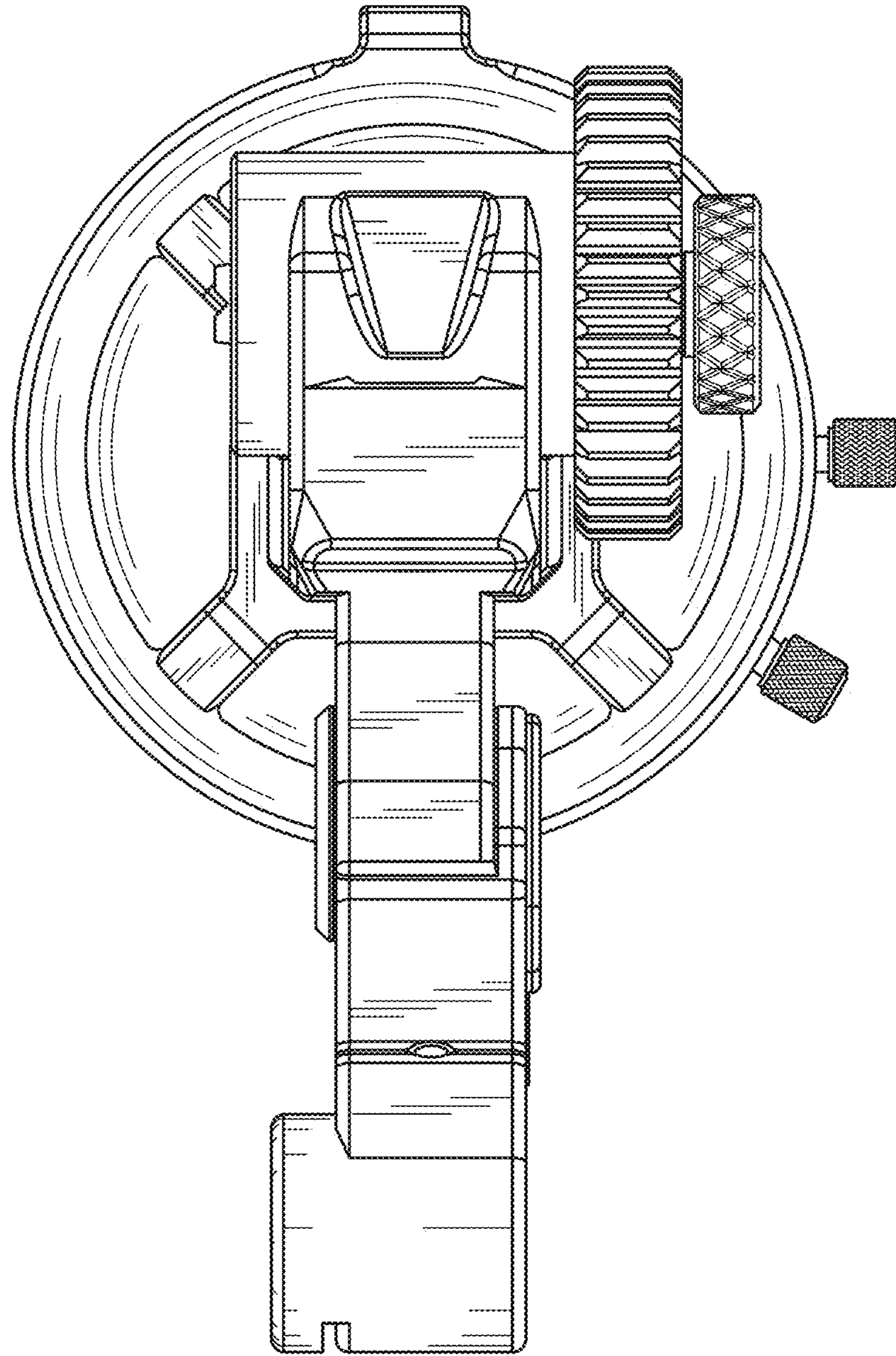


FIG. 8