



US00D924308S

(12) **United States Design Patent**
Li

(10) **Patent No.:** **US D924,308 S**

(45) **Date of Patent:** **** Jul. 6, 2021**

(54) **PROJECTOR**

(71) Applicant: **SHENZHEN LIANJIXING TECHNOLOGY CO., LTD.**, Shenzhen (CN)

(72) Inventor: **Hongwu Li**, Shenzhen (CN)

(**) Term: **15 Years**

(21) Appl. No.: **29/733,971**

(22) Filed: **May 7, 2020**

(51) **LOC (13) Cl.** **16-02**

(52) **U.S. Cl.**
USPC **D16/230**

(58) **Field of Classification Search**
USPC D16/221, 225, 230–231, 234; D21/514
CPC G03B 21/145; G03B 21/14; G03B 21/16;
G03B 21/00; G03B 21/003; G03B 21/12
See application file for complete search history.

(56) **References Cited**

U.S. PATENT DOCUMENTS

D545,861 S * 7/2007 Naruki D16/221
D600,266 S * 9/2009 Nagase D16/225

D831,727 S * 10/2018 Xu D16/225
D871,489 S * 12/2019 Wan D16/230
D879,182 S * 3/2020 Deng D16/230
D896,299 S * 9/2020 Ou D16/230

* cited by examiner

Primary Examiner — Wan Laymon

(74) *Attorney, Agent, or Firm* — W&K IP

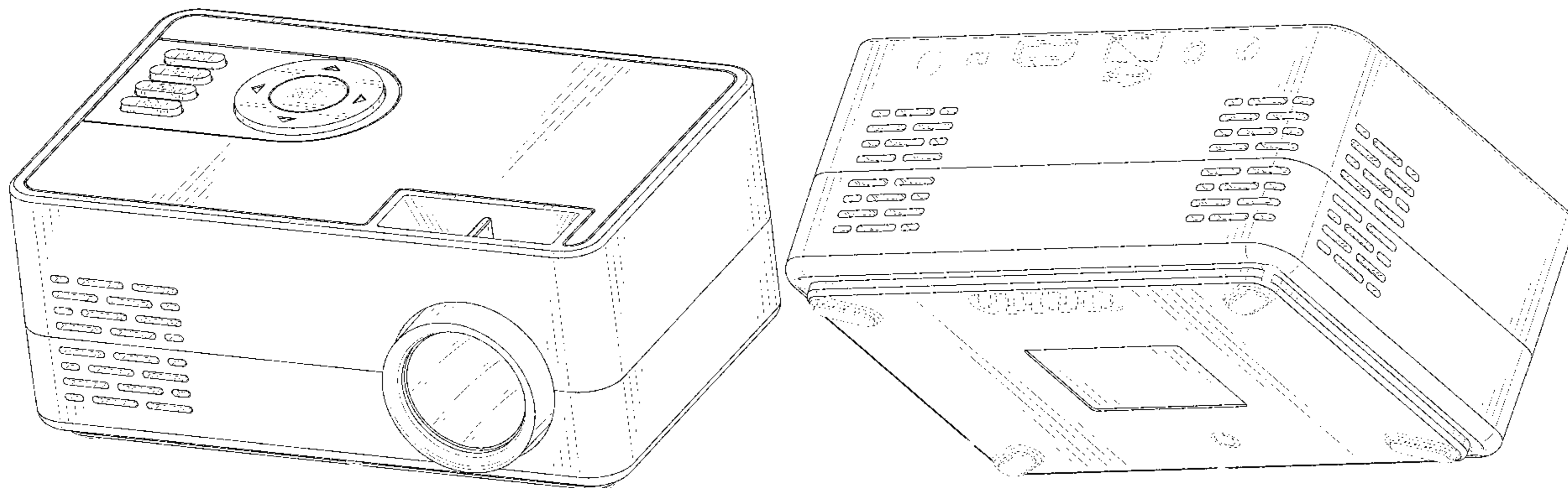
(57) **CLAIM**

The ornamental design for a projector, as shown and described.

DESCRIPTION

FIG. 1 is a perspective view of a projector showing my new design;
FIG. 2 is another perspective view thereof;
FIG. 3 is a front elevational view thereof;
FIG. 4 is a rear elevational view thereof;
FIG. 5 is a left side elevational view thereof;
FIG. 6 is a right side elevational view thereof;
FIG. 7 is a top plan view thereof; and,
FIG. 8 is a bottom plan view thereof.
The broken lines in the drawings depict portions of the projector that form no part of the claimed design.

1 Claim, 8 Drawing Sheets



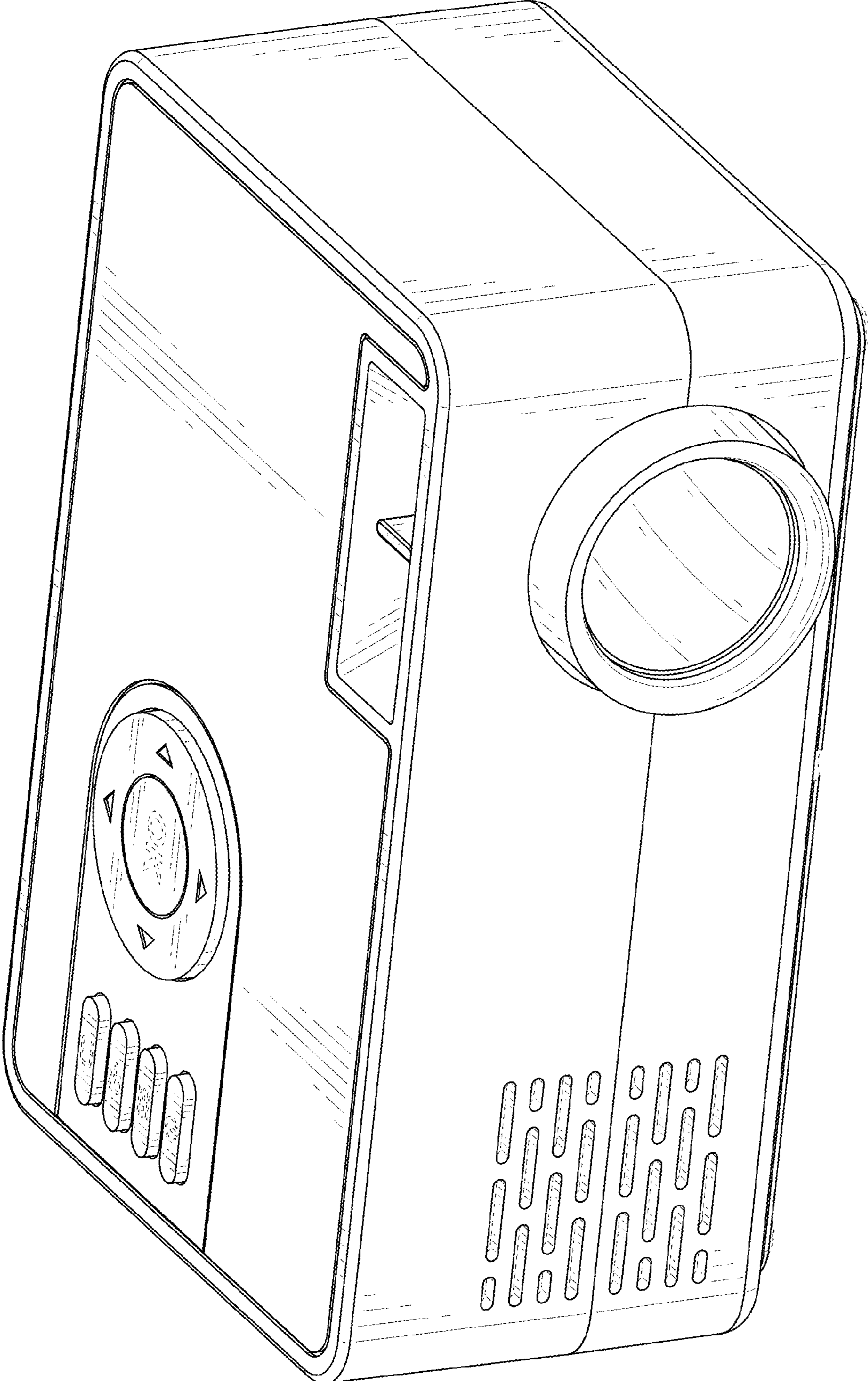


FIG. 1

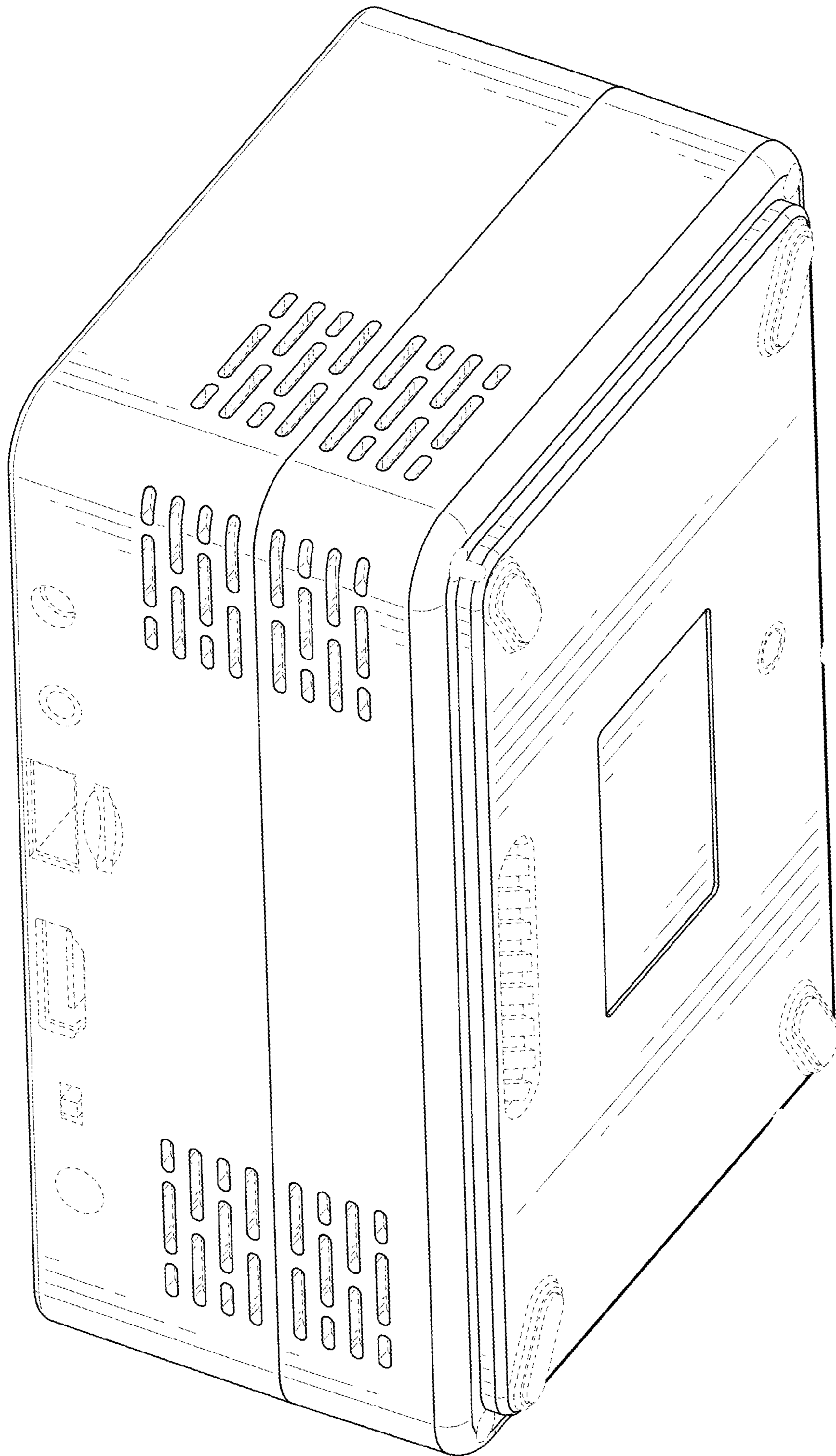


FIG. 2

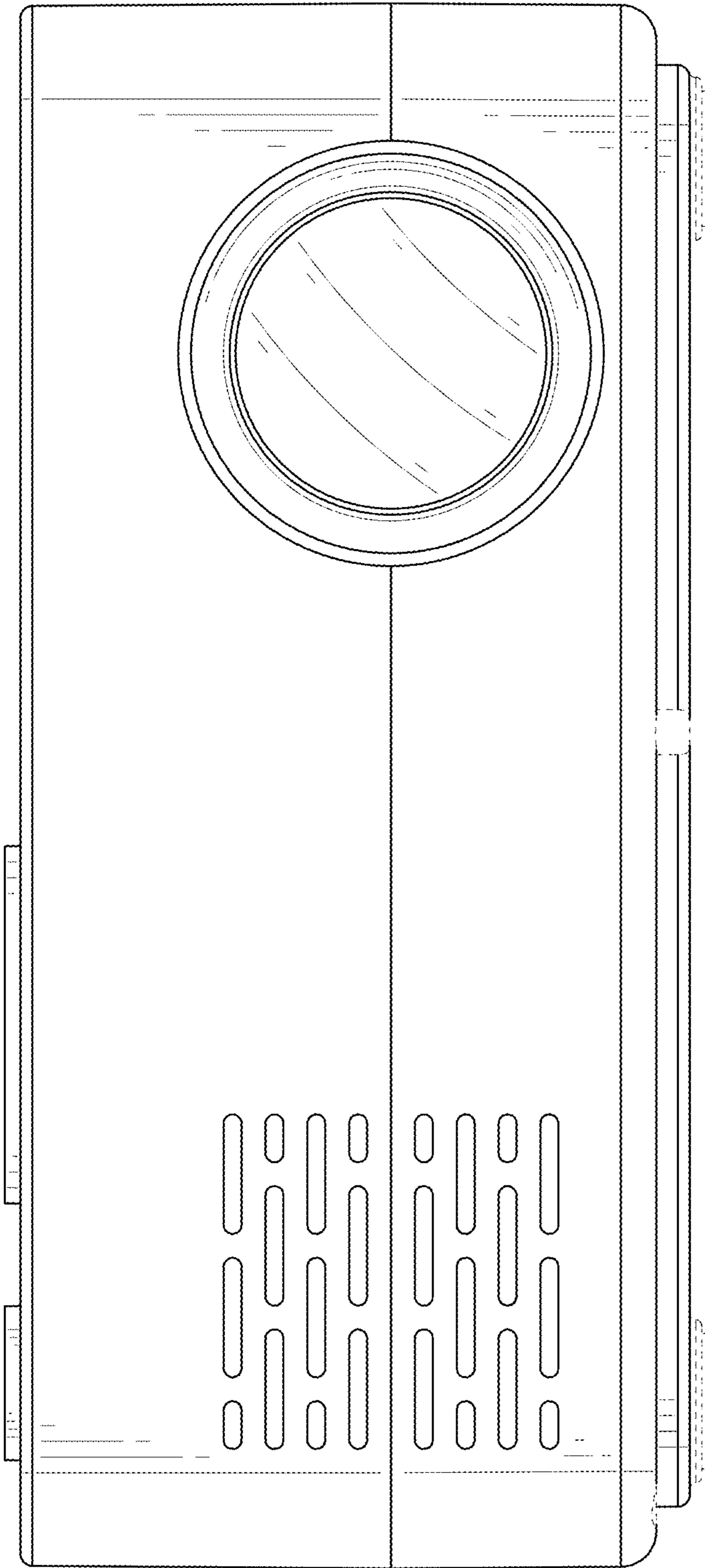


FIG. 3

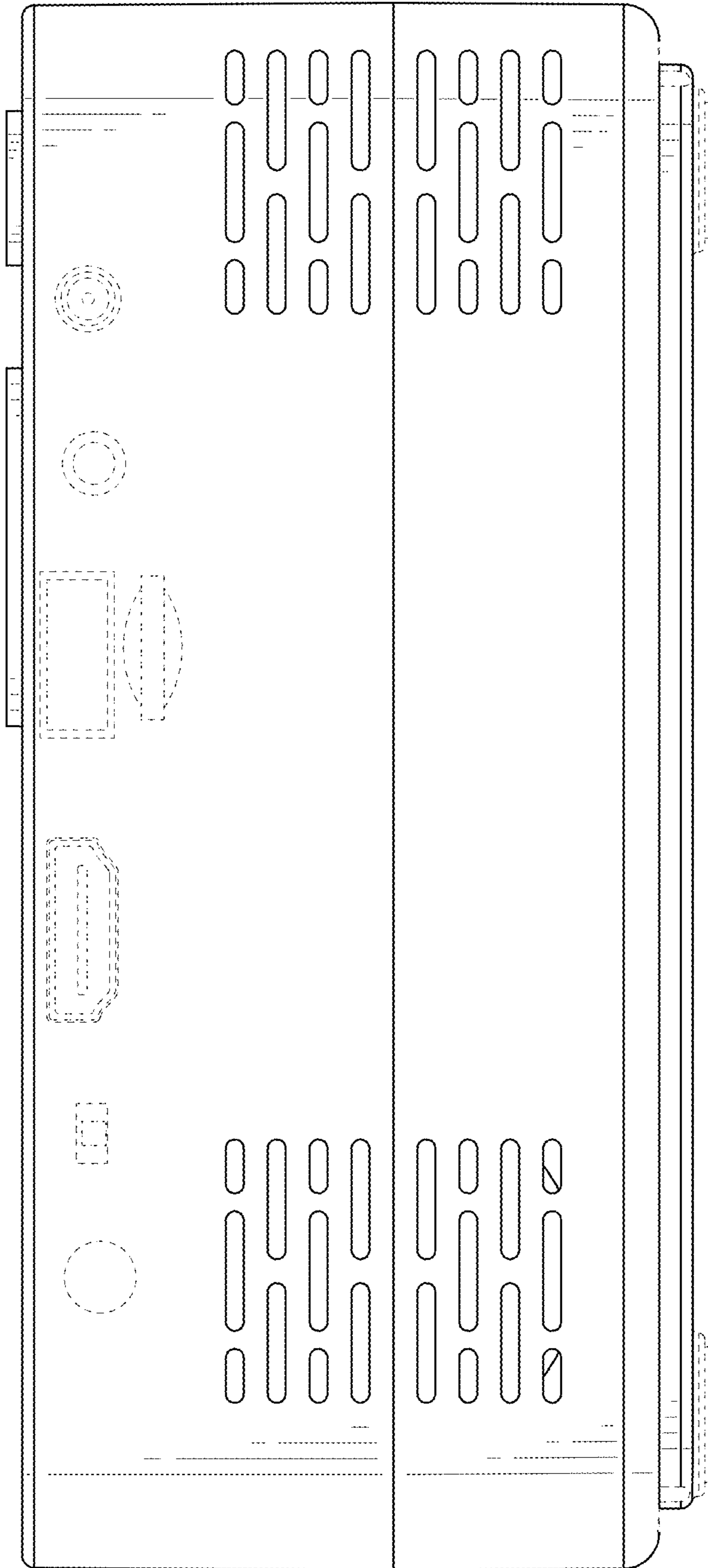


FIG. 4

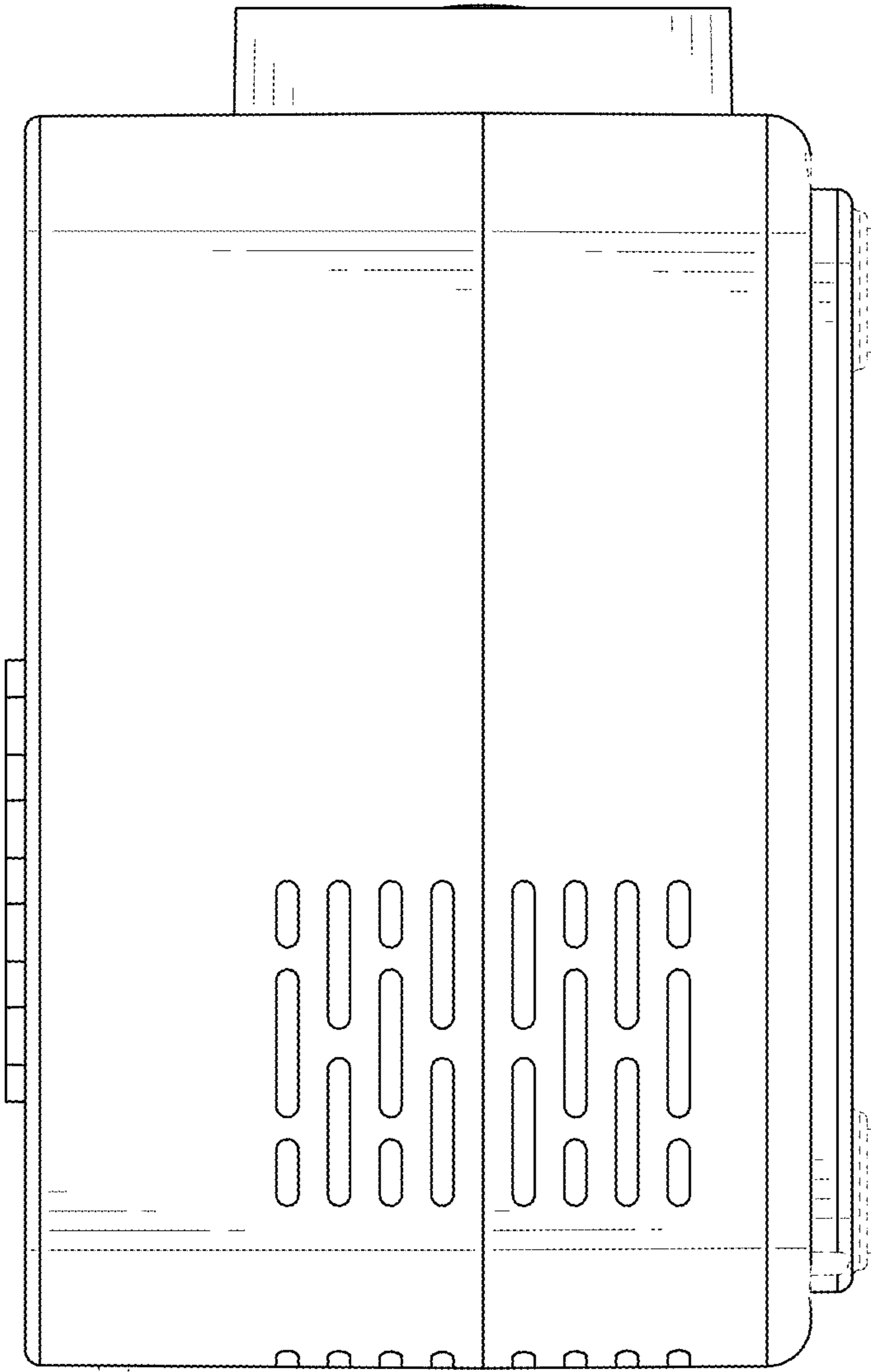


FIG. 5

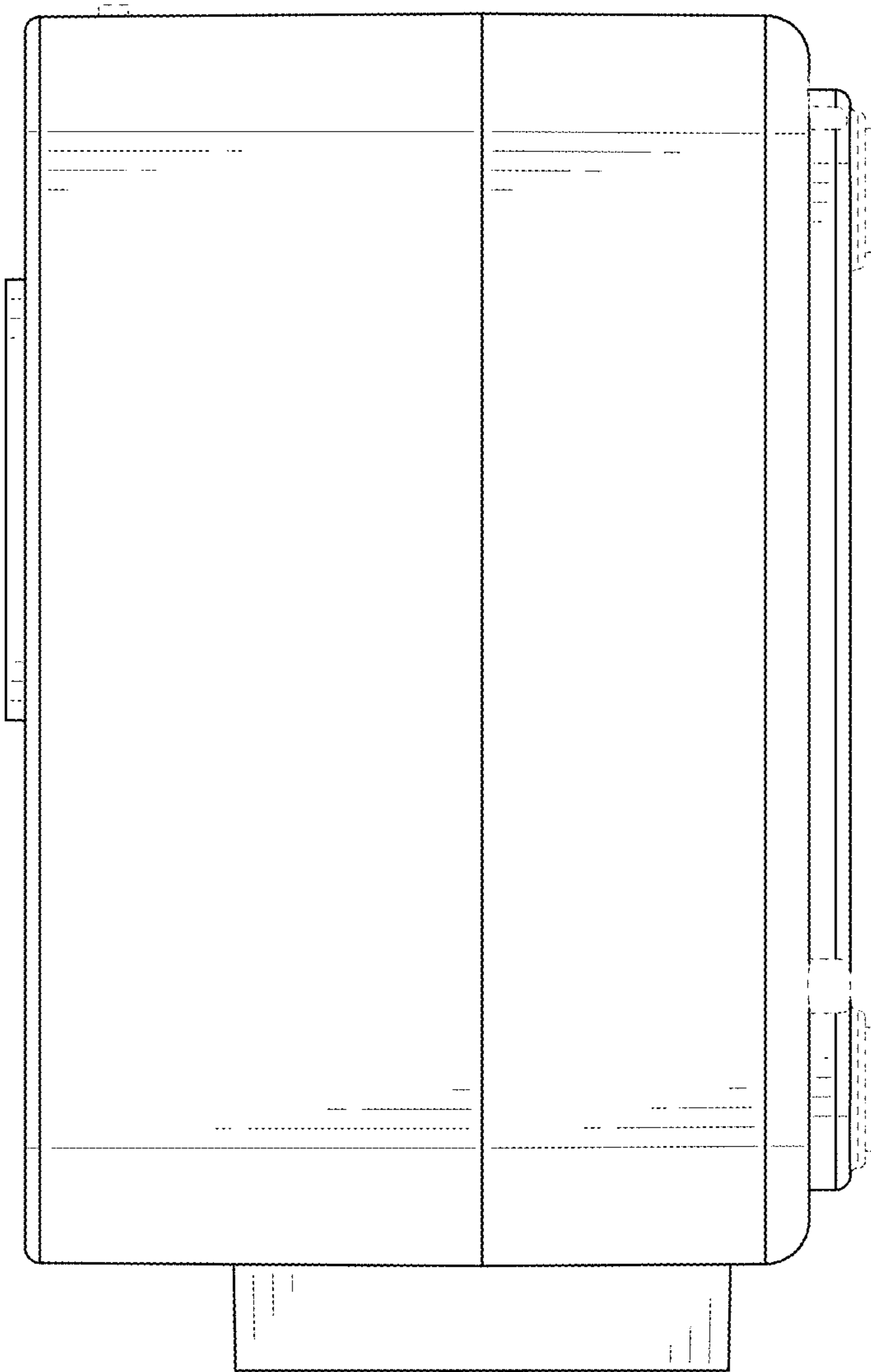


FIG. 6

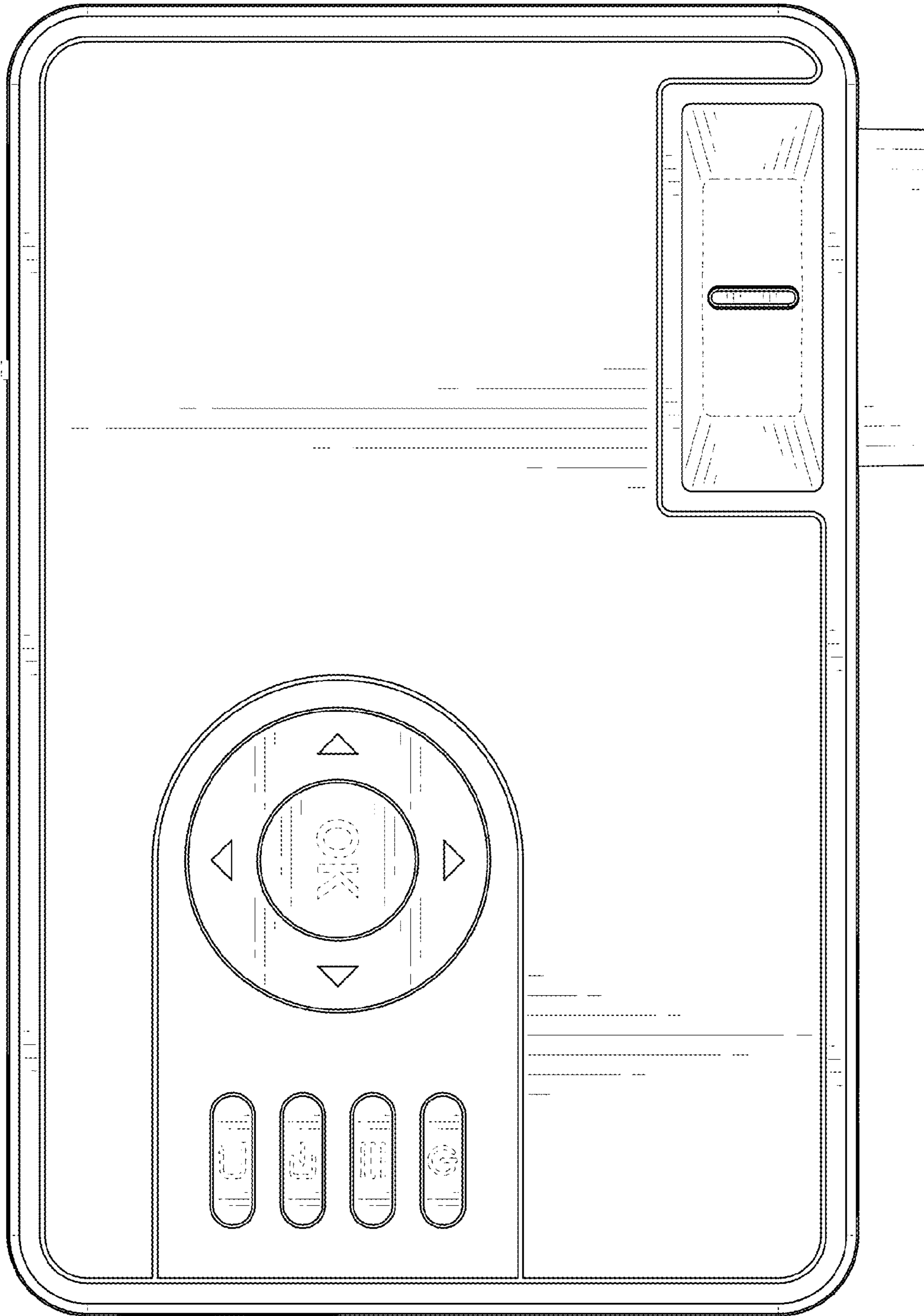


FIG. 7

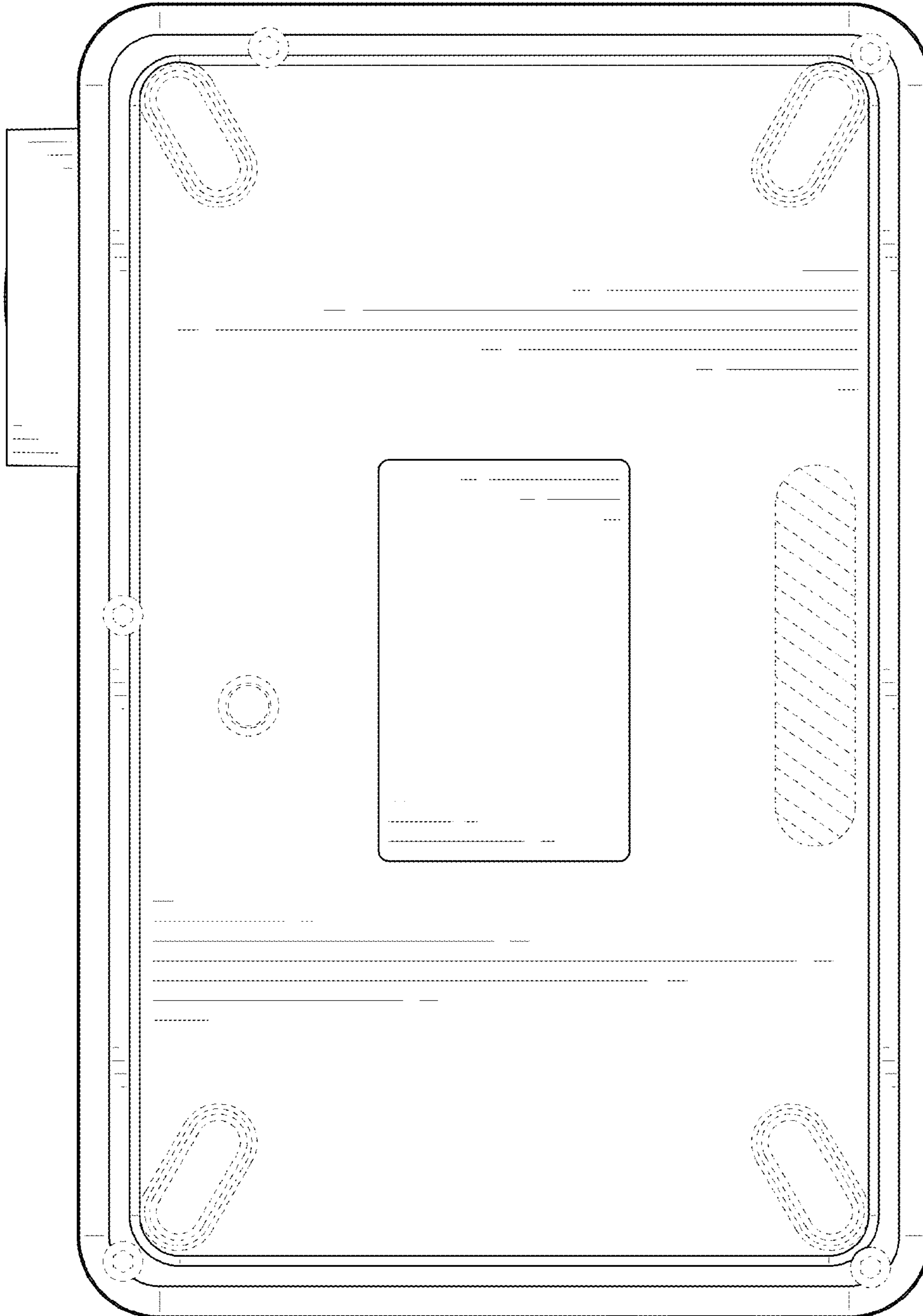


FIG. 8