



US00D924306S

(12) **United States Design Patent**  
**Melnicoff**

(10) **Patent No.:** **US D924,306 S**

(45) **Date of Patent:** **\*\* Jul. 6, 2021**

(54) **CAMERA**

(71) Applicant: **FOTO ELECTRIC SUPPLY CO., INC.**, Brooklyn, NY (US)

(72) Inventor: **Jared Benjamin Melnicoff**, Great Neck, NY (US)

(73) Assignee: **FOTO ELECTRIC SUPPLY CO., INC.**, Brooklyn, NY (US)

(\*\*) Term: **15 Years**

(21) Appl. No.: **29/715,097**

(22) Filed: **Nov. 27, 2019**

(51) **LOC (13) Cl.** ..... **16-01**

(52) **U.S. Cl.**  
USPC ..... **D16/218**

(58) **Field of Classification Search**  
USPC ..... D16/200, 202–206, 208, 218, 219;  
D21/514; 348/373–376; 396/535,  
396/539–541

CPC ..... G03B 15/03; G03B 17/02; G03B 17/04;  
G03B 17/56; G03B 19/04; H04N 5/2251;  
H04N 5/2252; H04N 5/2253; H04N  
5/2254; H04N 2101/00

See application file for complete search history.

(56) **References Cited**

**U.S. PATENT DOCUMENTS**

D524,839 S \* 7/2006 Wen ..... D16/202  
D643,056 S \* 8/2011 Zaliauskas ..... D16/203

D748,712 S \* 2/2016 Tompkin ..... D16/218  
D756,436 S \* 5/2016 Ku ..... D16/200  
D822,748 S \* 7/2018 Van Deusen ..... D16/218  
D835,698 S \* 12/2018 Darty ..... D16/206  
D849,087 S \* 5/2019 Li ..... D16/202  
D859,498 S \* 9/2019 Lin ..... D16/218  
D865,835 S \* 11/2019 Fidler ..... D16/202  
D865,836 S \* 11/2019 Puusaari ..... D16/202  
D868,867 S \* 12/2019 Jean ..... D16/202  
D884,771 S \* 5/2020 Wang ..... D16/218  
D898,799 S \* 10/2020 Minamide ..... D16/202

\* cited by examiner

*Primary Examiner* — Ramzi S Almatrahi

(74) *Attorney, Agent, or Firm* — Seyfarth Shaw LLP;  
Brian Michaelis

(57) **CLAIM**

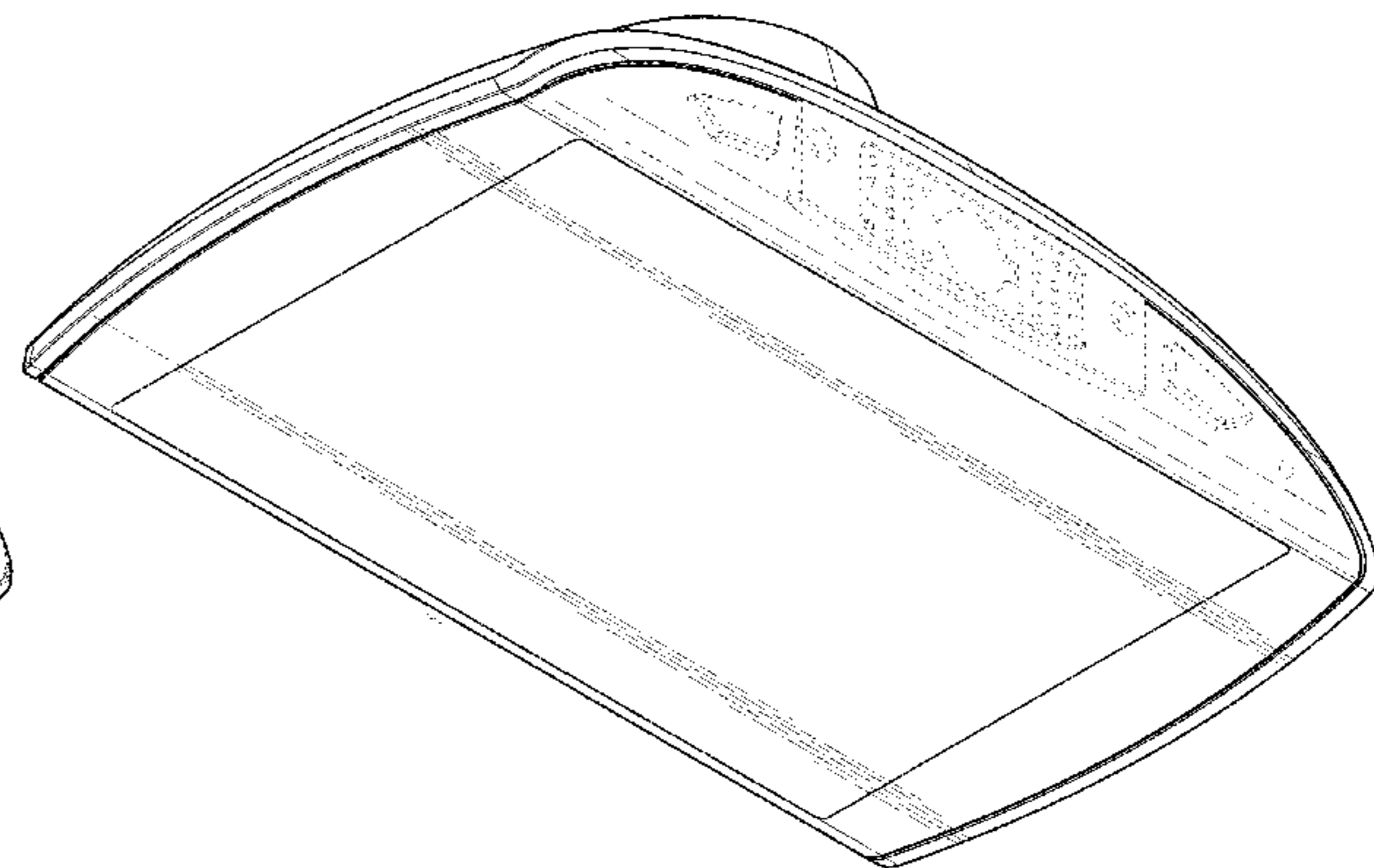
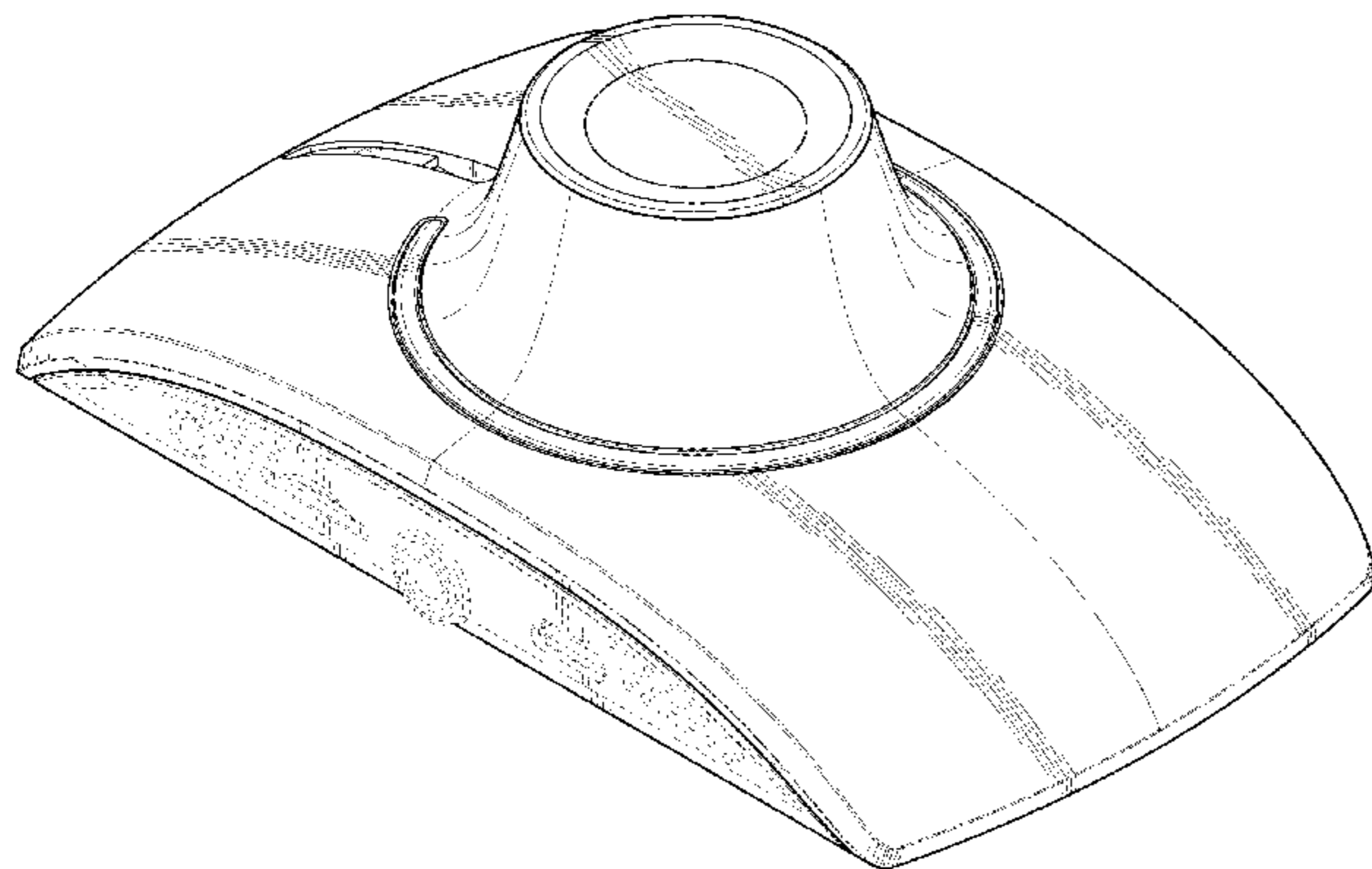
The ornamental design for a camera, as shown and described.

**DESCRIPTION**

FIG. 1 is a front perspective view of a camera;  
FIG. 2 is a rear perspective view thereof;  
FIG. 3 is a top plan view thereof;  
FIG. 4 is a bottom plan view thereof;  
FIG. 5 is a right side elevation view thereof;  
FIG. 6 is a left side elevation view thereof;  
FIG. 7 is a front elevation view thereof; and,  
FIG. 8 is a rear elevation view.

The broken lines depict portions of the camera in which the design is embodied that form no part of the claimed design.

**1 Claim, 8 Drawing Sheets**



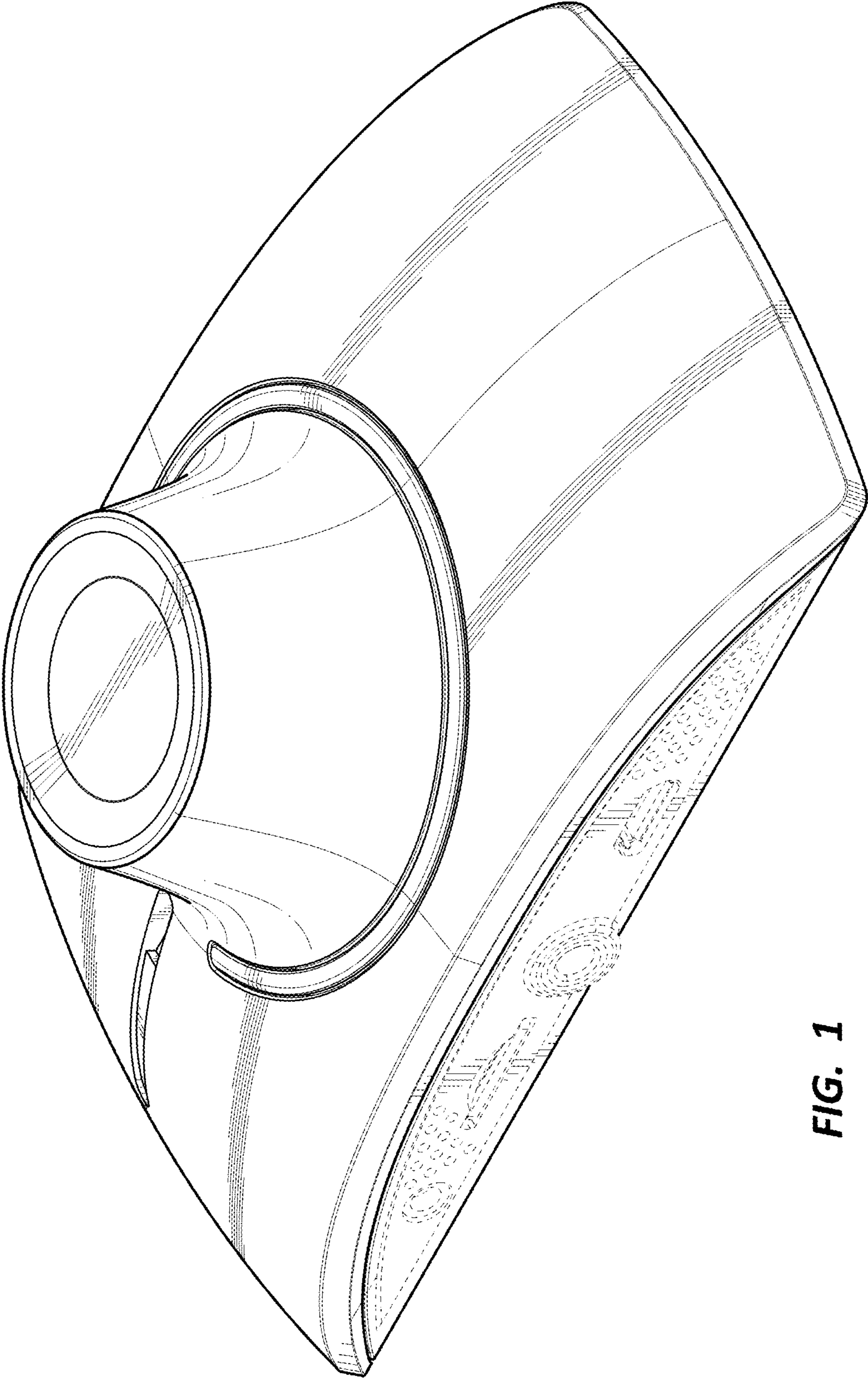


FIG. 1

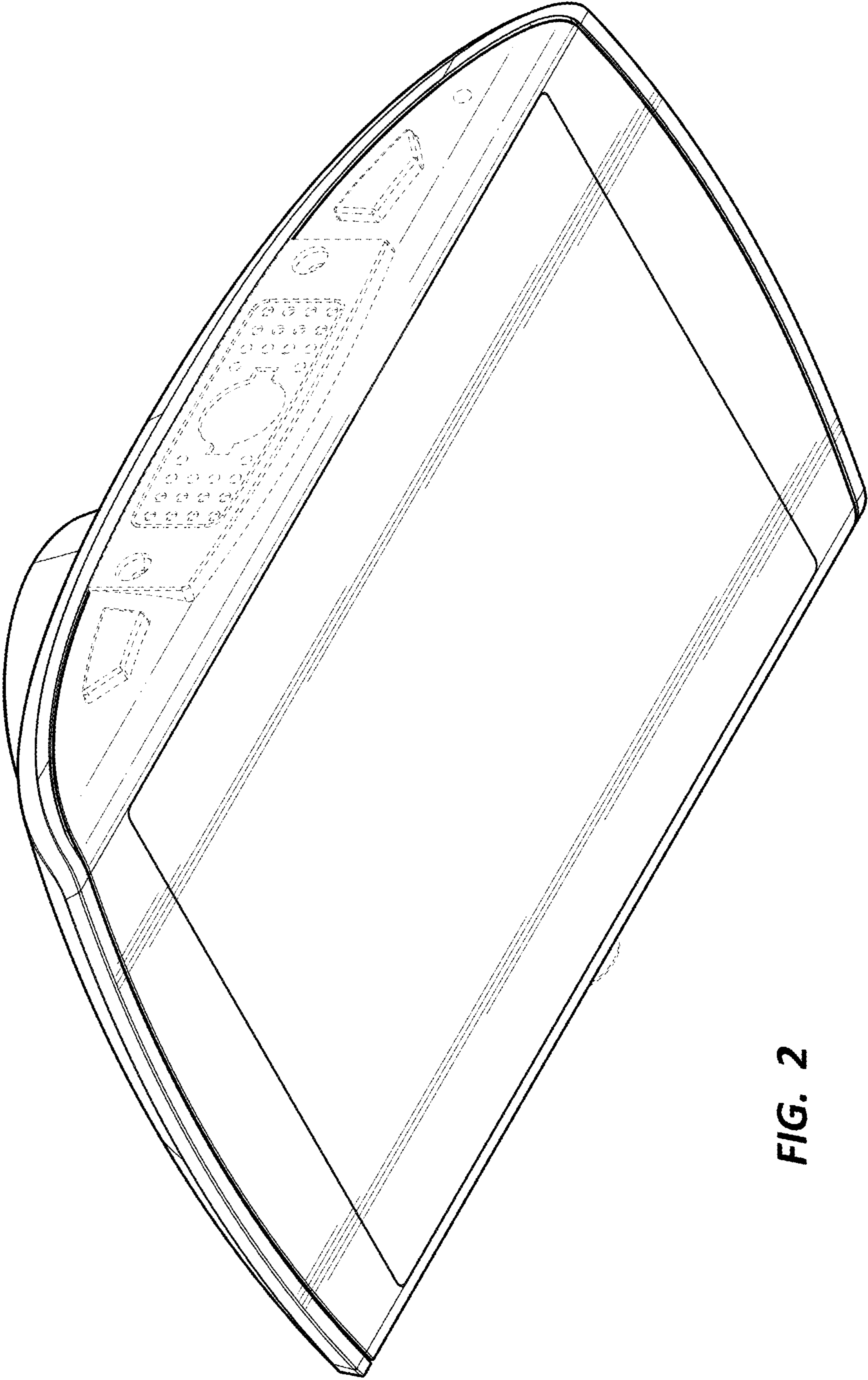


FIG. 2

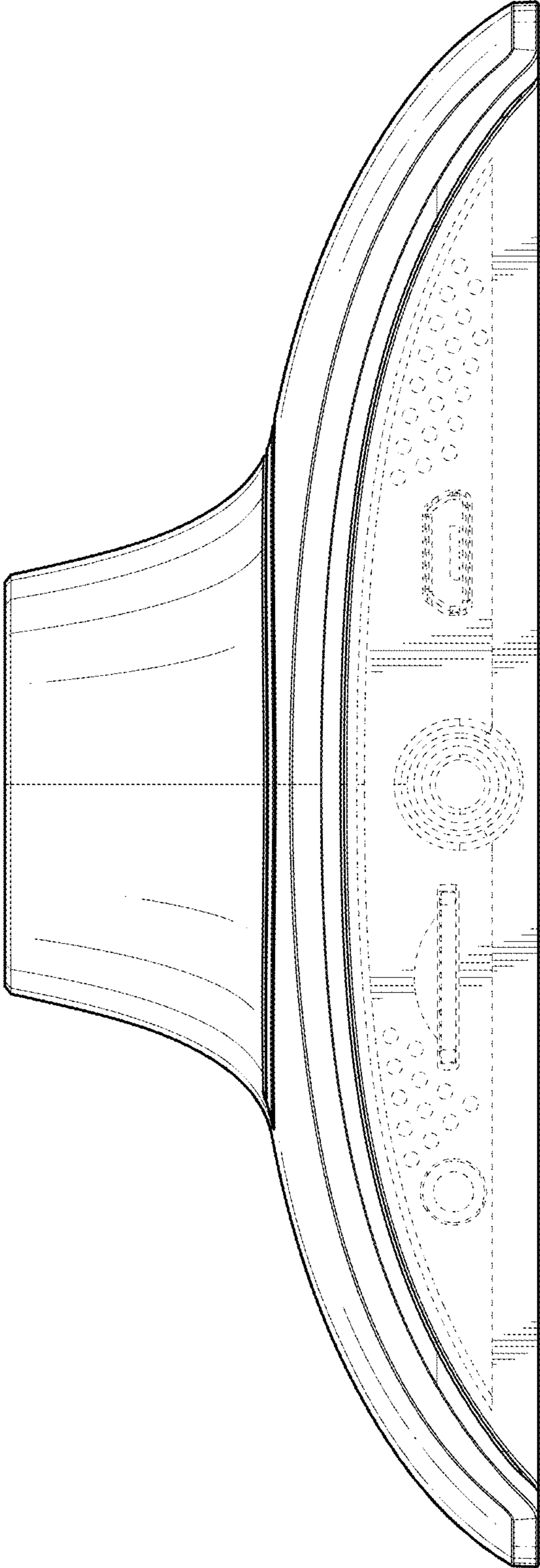


FIG. 3

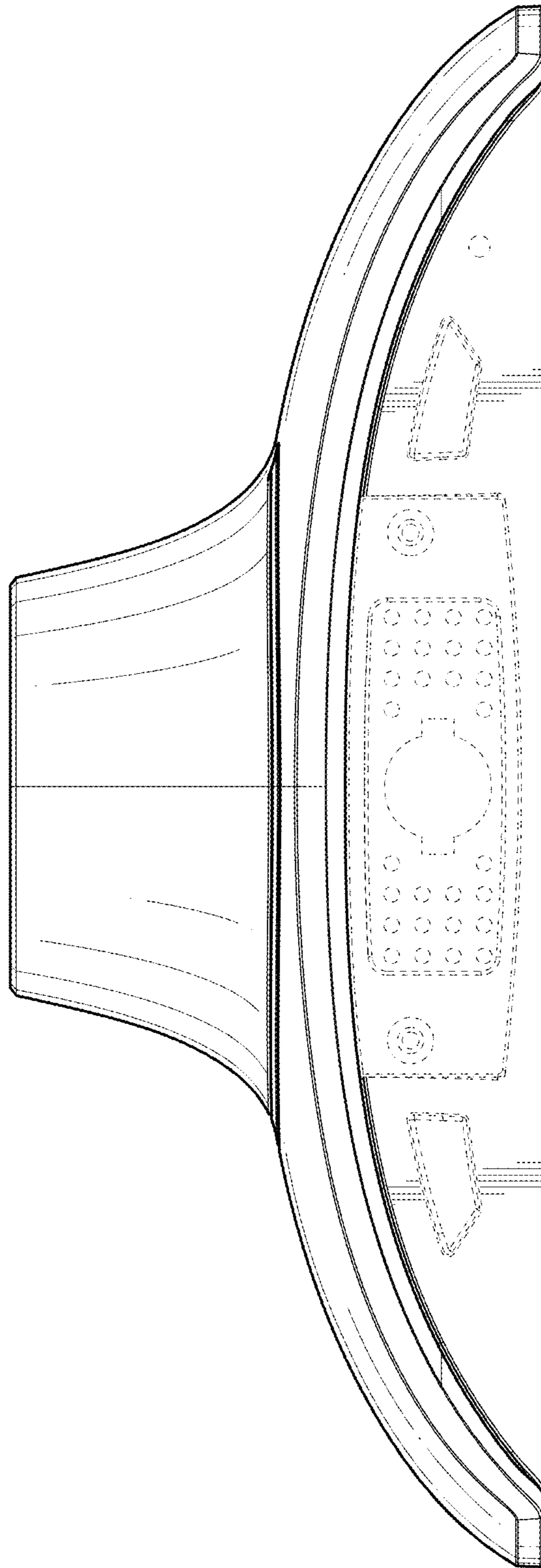


FIG. 4

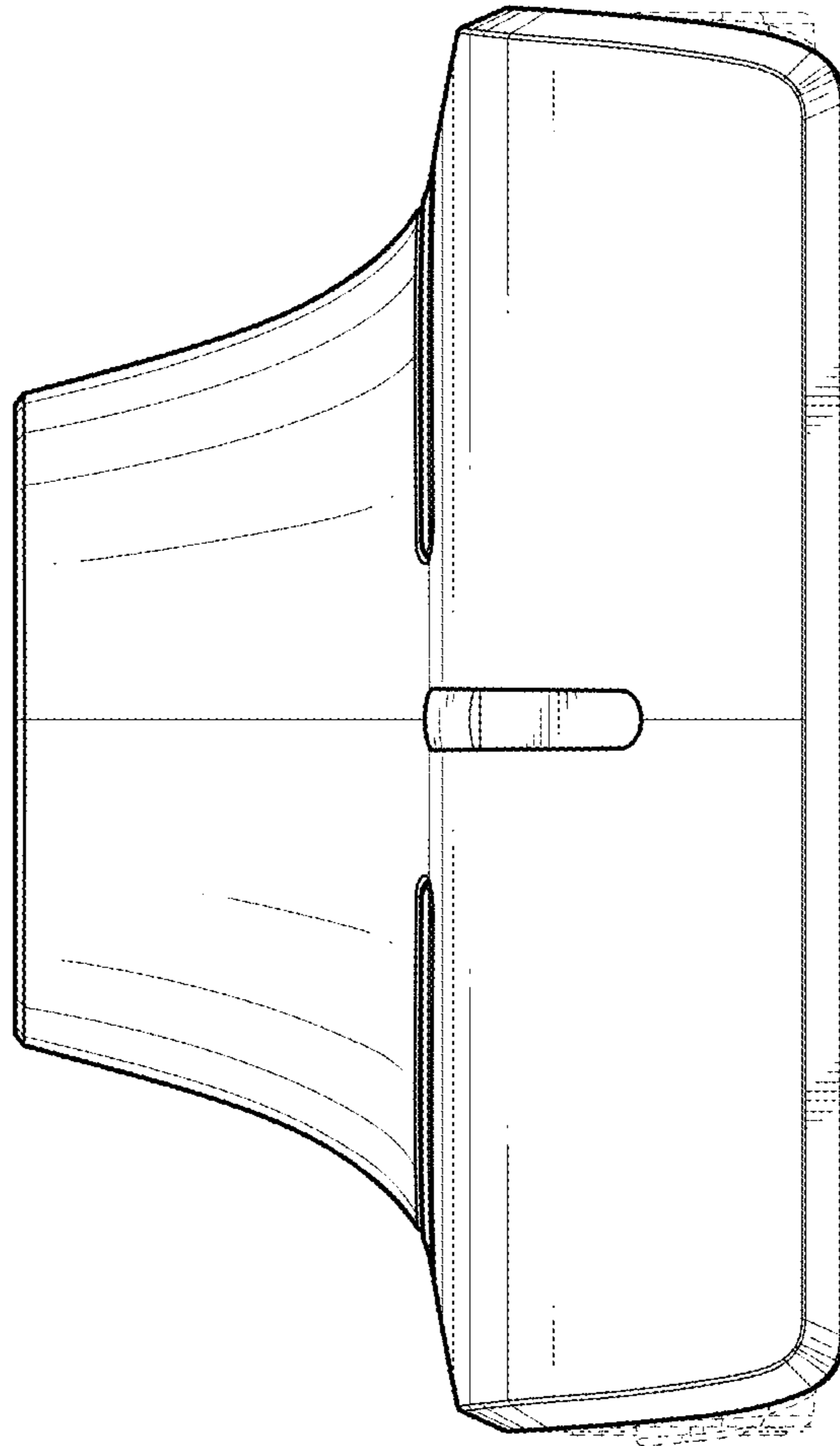
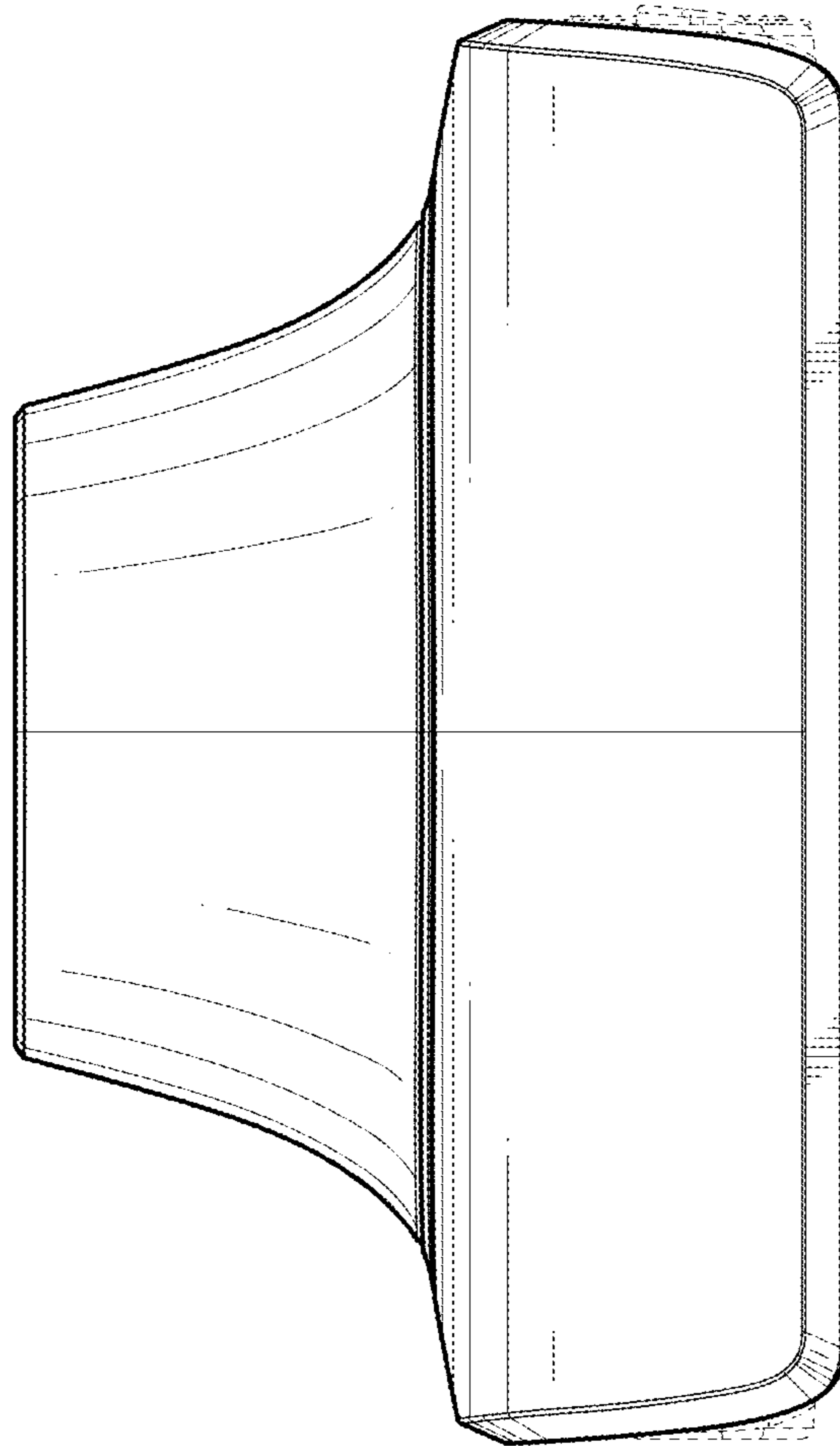


FIG. 5



**FIG. 6**

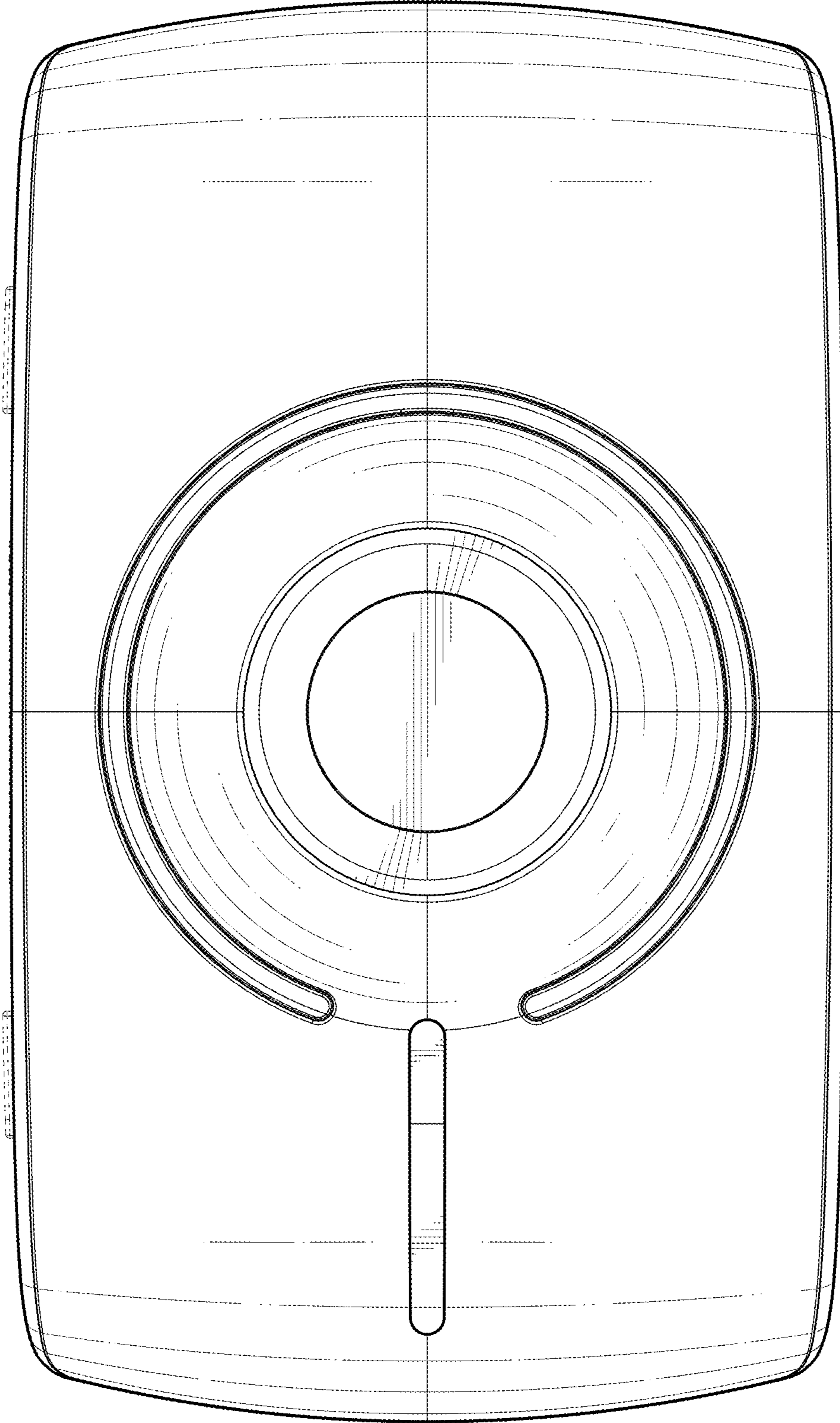


FIG. 7



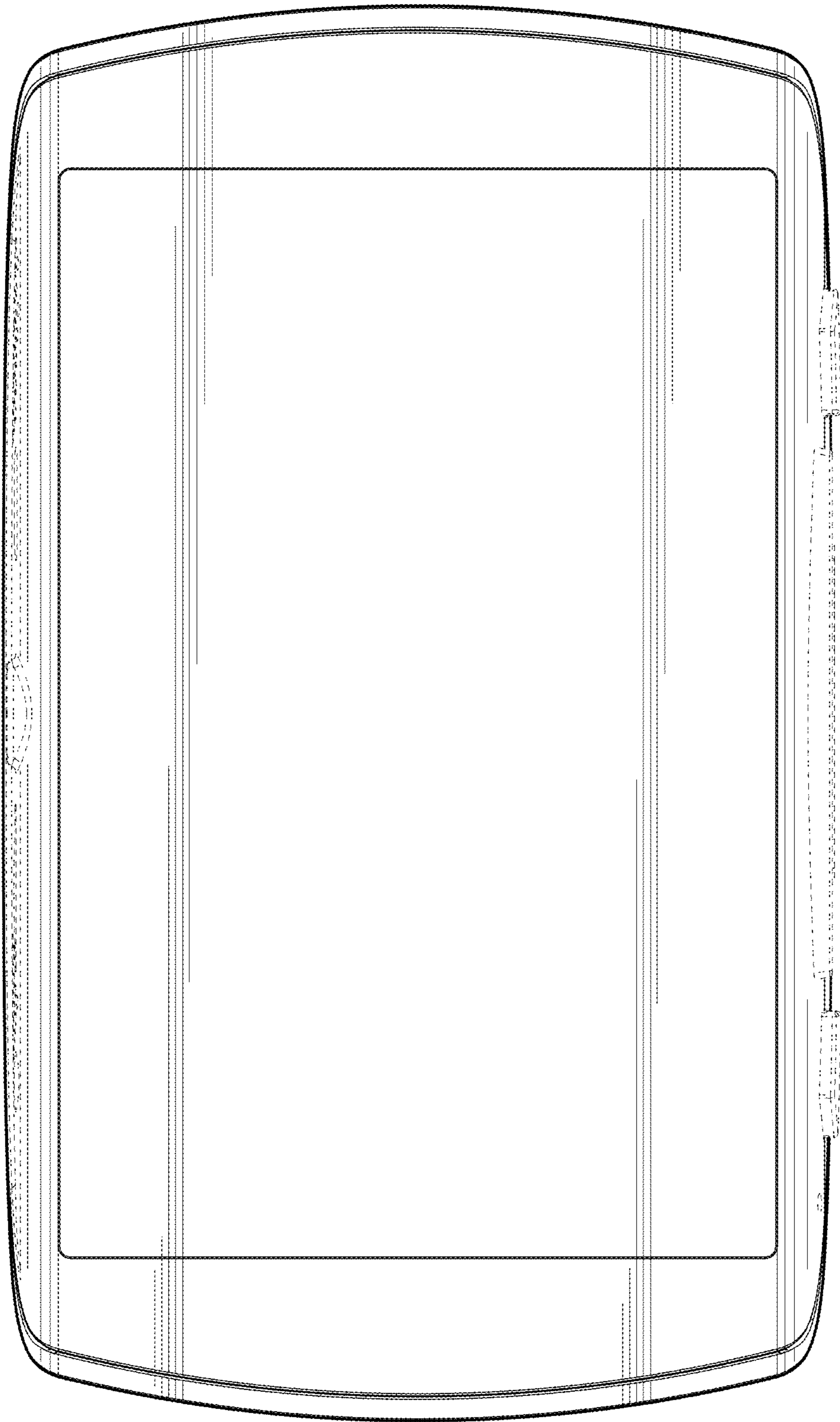


FIG. 8