



US00D924304S

(12) **United States Design Patent**
Kapuria et al.

(10) **Patent No.:** **US D924,304 S**

(45) **Date of Patent:** **** Jul. 6, 2021**

(54) **IN-VEHICLE DRIVER MONITORING CAMERA**

(71) Applicant: **THE HI-TECH ROBOTIC SYSTEMZ LTD**, Haryana (IN)

(72) Inventors: **Anuj Kapuria**, Haryana (IN); **Ritukar Vijay**, Haryana (IN)

(73) Assignee: **THE HI-TECH ROBOTIC SYSTEMZ LTD**, Gurugram (IN)

(**) Term: **15 Years**

(21) Appl. No.: **29/645,410**

(22) Filed: **Apr. 26, 2018**

(30) **Foreign Application Priority Data**

Oct. 26, 2017 (IN) 298809

(51) **LOC (13) Cl.** **16-01**

(52) **U.S. Cl.**
USPC **D16/208**

(58) **Field of Classification Search**
USPC D16/200, 202–208, 218, 219, 242;
348/143, 148, 151, 373–376; 396/419,
396/427, 535, 539–541; 248/176.1, 187.1
CPC G03B 17/02; G03B 19/04; G03B 17/56;
G03B 17/04; G03B 15/03; H04N 5/2251;
H04N 5/2252; H04N 5/2253; H04N
5/2254; H04N 7/181; H04N 7/183; H04N
7/18

See application file for complete search history.

(56) **References Cited**

U.S. PATENT DOCUMENTS

D822,747 S * 7/2018 Van Deusen D16/218
D822,748 S * 7/2018 Van Deusen D16/218

D823,920 S * 7/2018 Wiegmann D16/208
D834,633 S * 11/2018 Carlson D16/208
D852,253 S * 6/2019 Lee D16/200
D861,764 S * 10/2019 Zhao D16/218
D868,869 S * 12/2019 Hodge G06K 9/00771
D16/208
D871,483 S * 12/2019 Chang D16/203
D875,160 S * 2/2020 Krakauer D16/208
D878,448 S * 3/2020 Kapuria D16/208
D884,053 S * 5/2020 Lee D16/208
D889,525 S * 7/2020 Abdul D16/208
D890,241 S * 7/2020 Abdul D16/208

* cited by examiner

Primary Examiner — Ramzi S Almatrahi

(57) **CLAIM**

The ornamental design for an in-vehicle driver monitoring camera, as shown and described.

DESCRIPTION

FIG. 1 is a top, front and right side perspective view of an in-vehicle driver monitoring camera showing our new design;

FIG. 2 is a front elevational view thereof;

FIG. 3 is a rear elevational view thereof;

FIG. 4 is a left side view thereof;

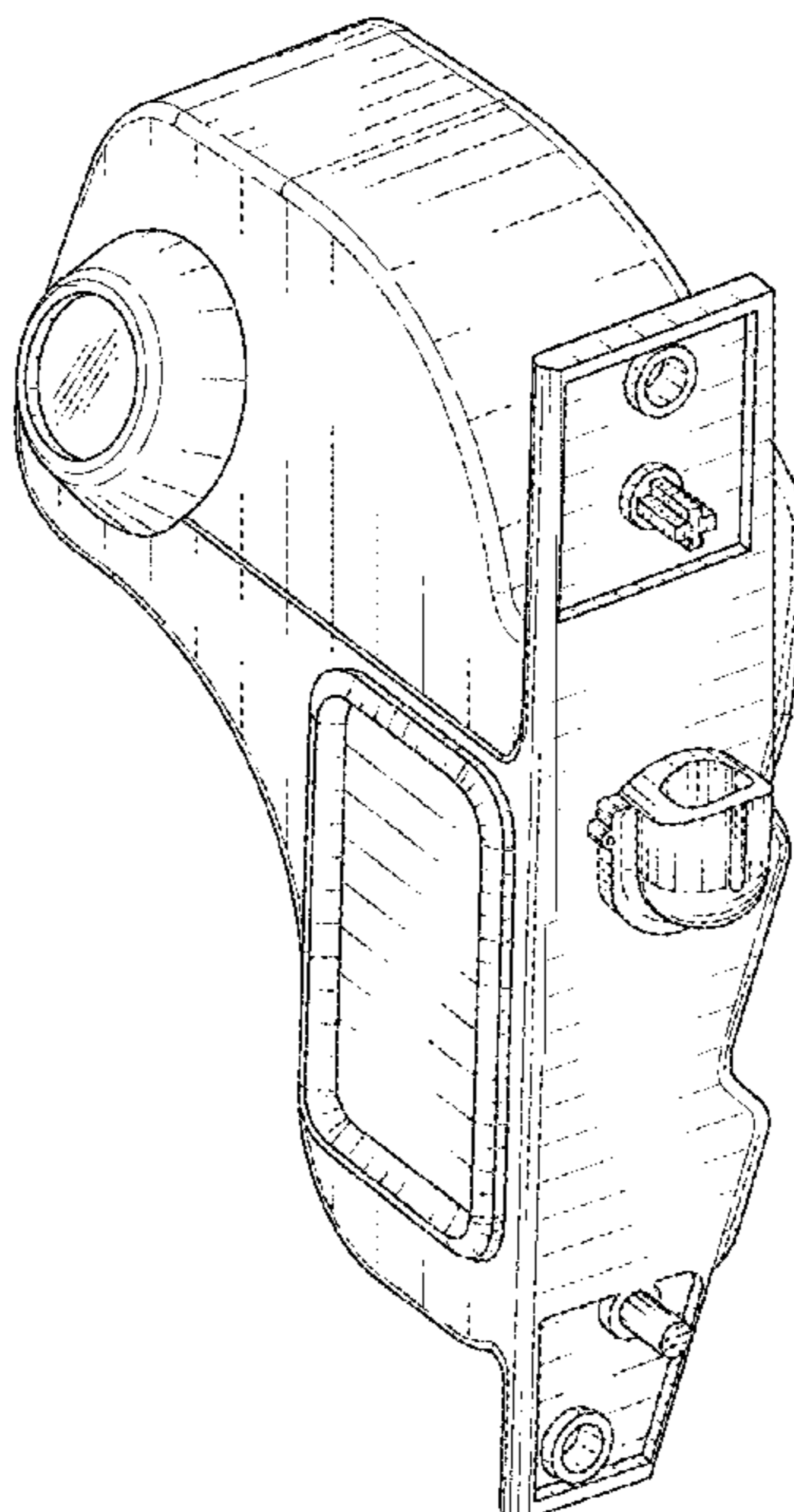
FIG. 5 is a right side view thereof;

FIG. 6 is a top plan view thereof; and,

FIG. 7 is a bottom plan view thereof.

The broken lines in the drawings illustrate portions of the in-vehicle driver monitoring camera which form no part of the claimed design.

1 Claim, 7 Drawing Sheets



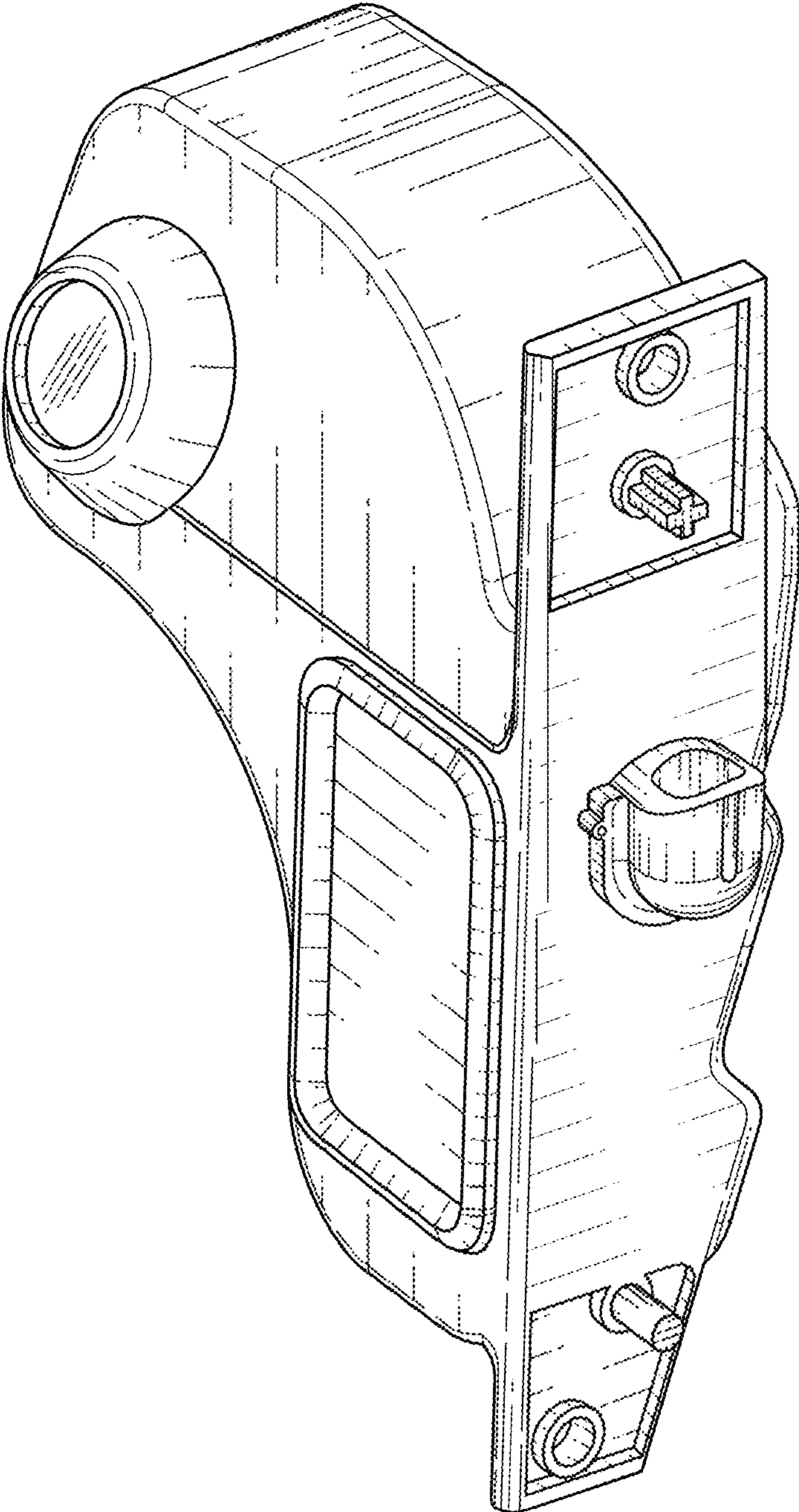


Fig. 1

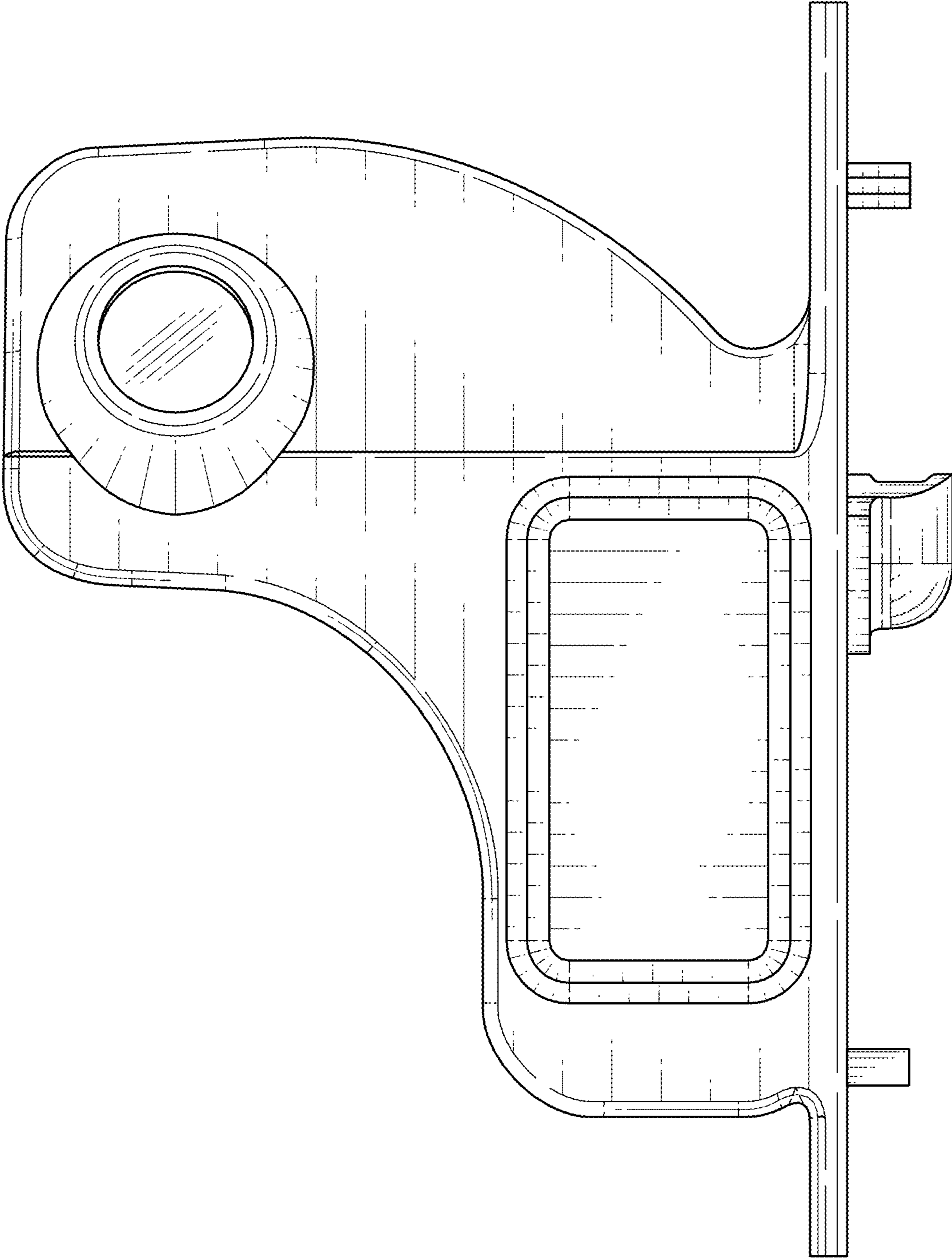


Fig. 2

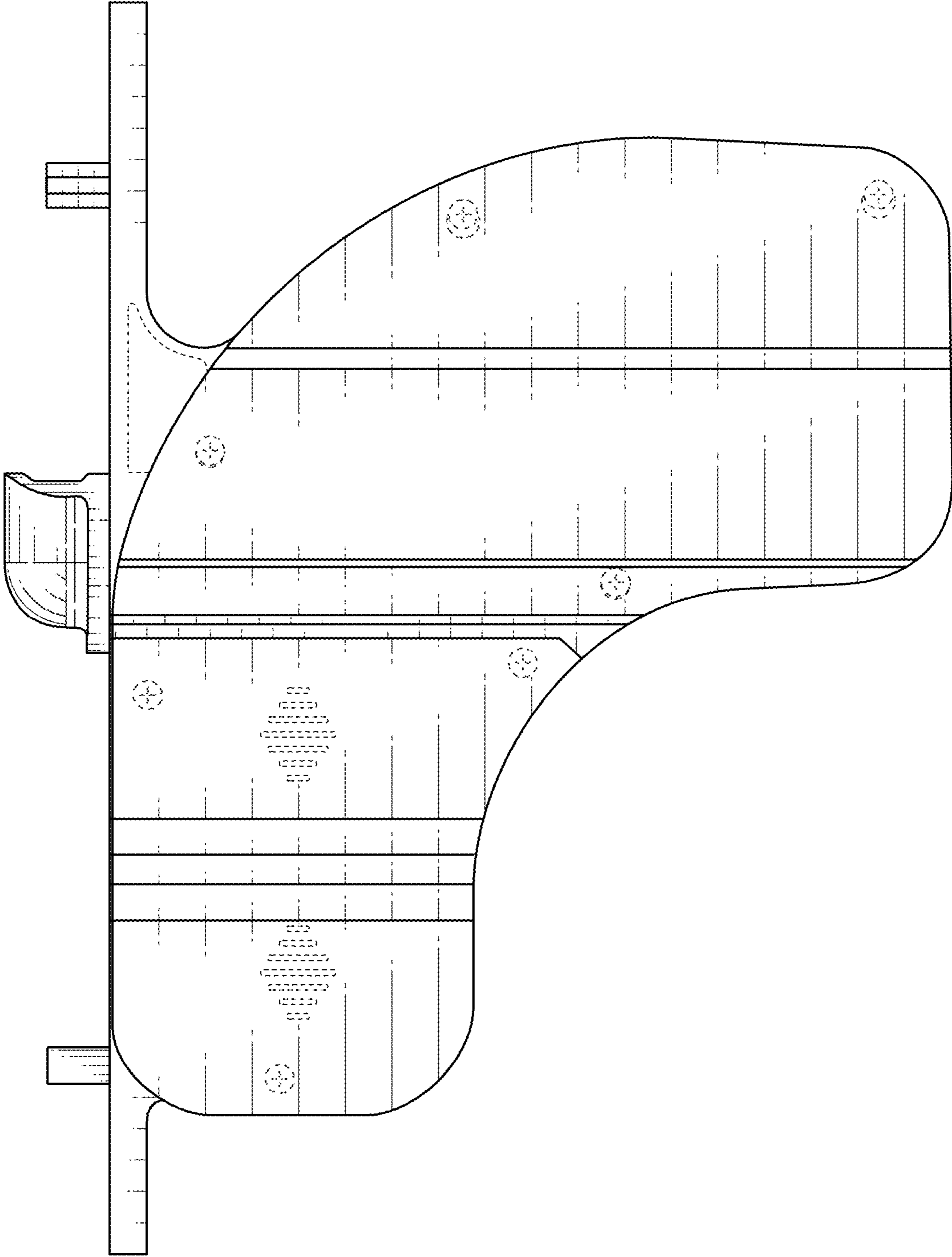


Fig. 3

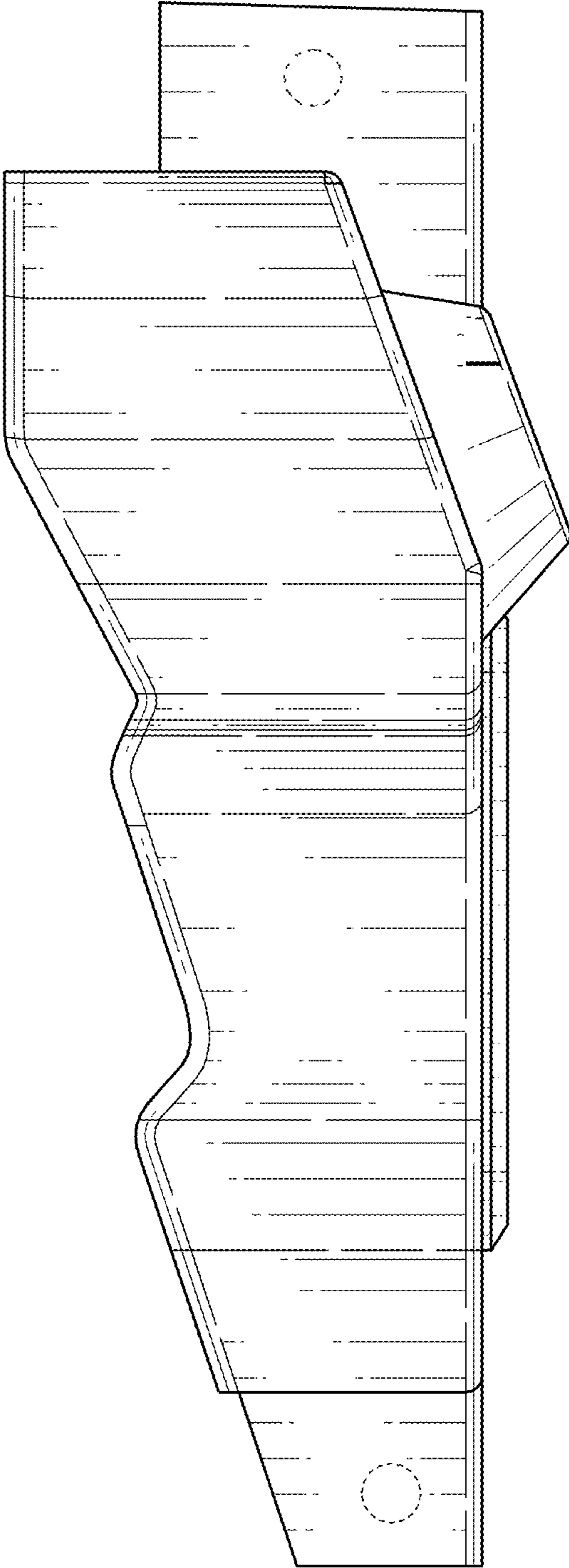


Fig. 4

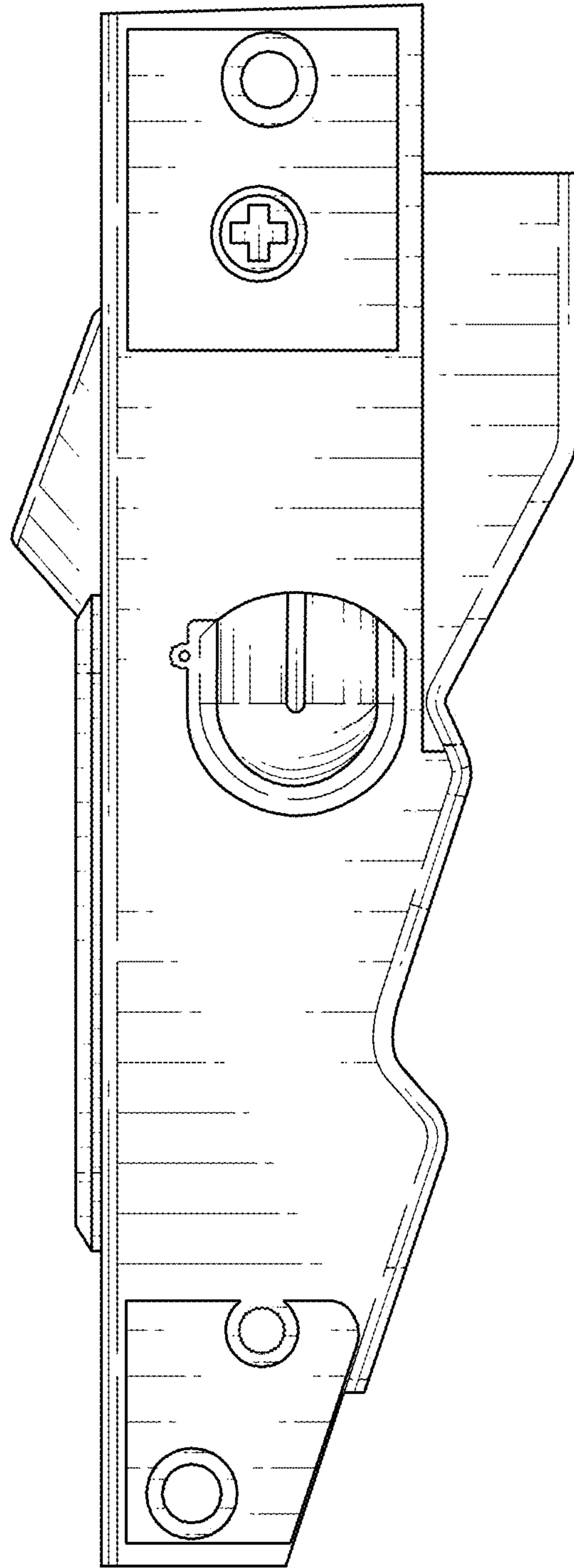


Fig. 5

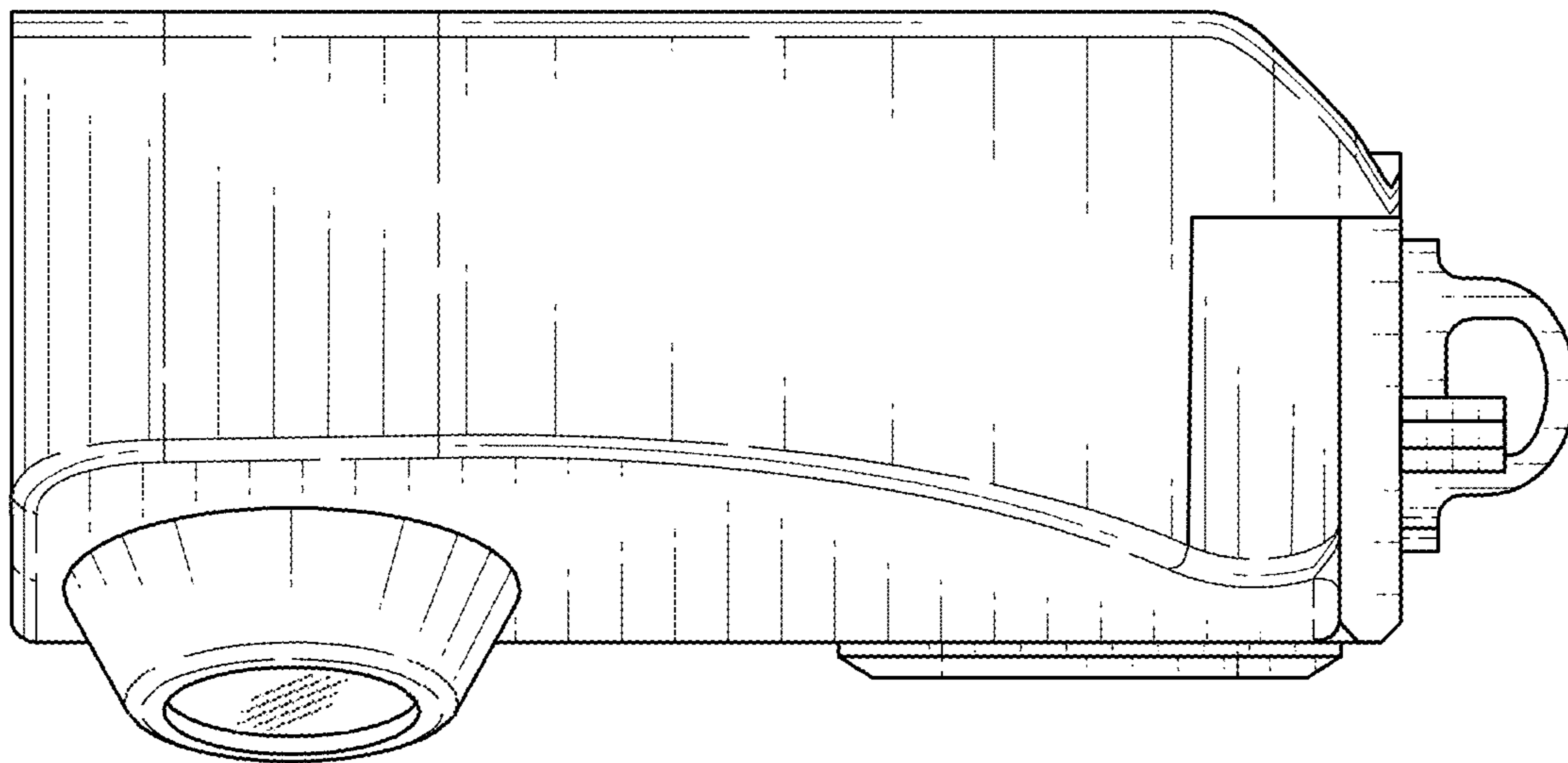


Fig. 6

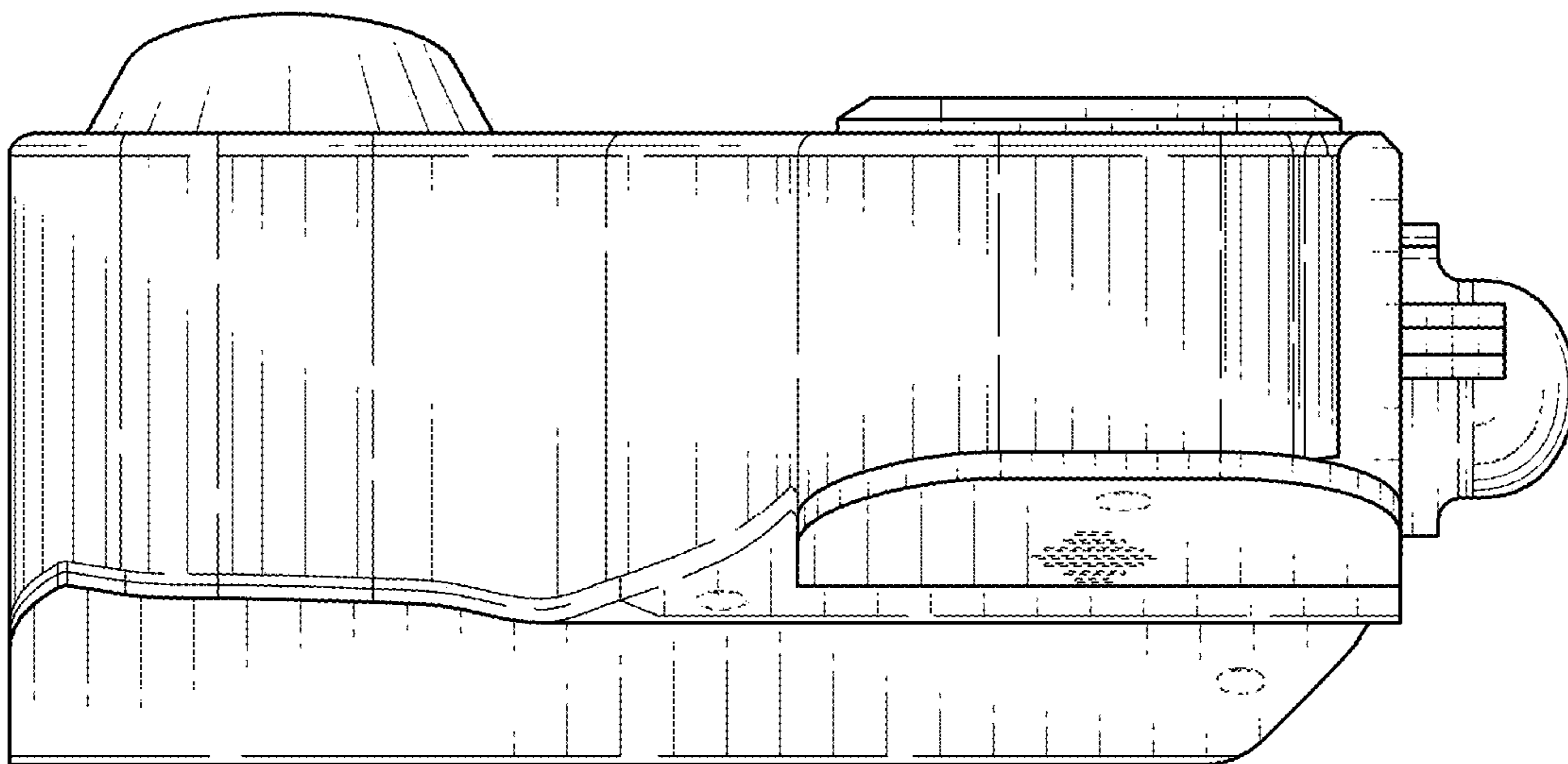


Fig. 7